



US00D557253S

(12) **United States Design Patent**
Engstrom et al.

(10) **Patent No.:** **US D557,253 S**

(45) **Date of Patent:** **** Dec. 11, 2007**

(54) **EARPHONE PORTION**

(75) Inventors: **Matthew K. Engstrom**, Evanston, IL (US); **Scott M. Belliveau**, Plainfield, IL (US); **Patrick M. Flanagan**, Chicago, IL (US); **Jeffery S. Kunkler**, Shatin (HK); **Anne C. Moser**, Chicago, IL (US); **Daniel Perez**, Chicago, IL (US); **Aleksey Pirkhalo**, Chicago, IL (US); **Kenneth M. Ross**, Chicago, IL (US); **Ki Bok Song**, Des Plaines, IL (US)

(73) Assignee: **Shure Acquisitions Holdings, Inc.**, Niles, IL (US)

(**) Term: **14 Years**

(21) Appl. No.: **29/250,058**

(22) Filed: **Oct. 31, 2006**

(51) **LOC (8) Cl.** **14-01**

(52) **U.S. Cl.** **D14/205**

(58) **Field of Classification Search** D14/205, D14/206, 223; 181/129-130, 135; 379/430, 379/431; 381/375, 381, 380, 328, 324; D24/106, D24/174

See application file for complete search history.

(56) **References Cited**

U.S. PATENT DOCUMENTS

2,325,590	A *	7/1943	Carlisle et al.	381/328
D141,071	S *	5/1945	Hechler	D24/174
2,787,670	A *	4/1957	Rowland	381/324
D213,448	S *	3/1969	Giller	D24/174
4,311,206	A *	1/1982	Johnson	181/135
D266,590	S *	10/1982	Bennett	D24/174
6,574,345	B1 *	6/2003	Huang	381/380

D494,956	S *	8/2004	Sabick et al.	D14/205
D514,551	S *	2/2006	Lee et al.	D14/223
D516,058	S *	2/2006	Garcia	D14/205
D519,103	S *	4/2006	Sabick et al.	D14/205
D532,770	S *	11/2006	Engstrom et al.	D14/205
D550,655	S *	9/2007	Falco	D14/223

OTHER PUBLICATIONS

Shure Personal Audio 2006 catalog brochure, 2006.

* cited by examiner

Primary Examiner—Paula A. Greene

(74) *Attorney, Agent, or Firm*—Banner & Witcoff, Ltd.

(57) **CLAIM**

An ornamental design for an earphone portion, as shown and described.

DESCRIPTION

FIG. 1 is an isometric view of an earphone that shows our claimed design;

FIG. 2 is a front view of the earphone;

FIG. 3 is a rear view of the earphone;

FIG. 4 is a top view of the earphone;

FIG. 5 is a left side view of the earphone;

FIG. 6 is a right side view of the earphone;

FIG. 7 is a bottom view of the earphone; and,

FIG. 8 is an isometric view of the earphone that shows additionally disclaimed illustrative features of a second earphone and connector.

The broken lines in FIGS. 1 through 8 are for illustrative purposes only and form no part of the claimed design.

1 Claim, 3 Drawing Sheets

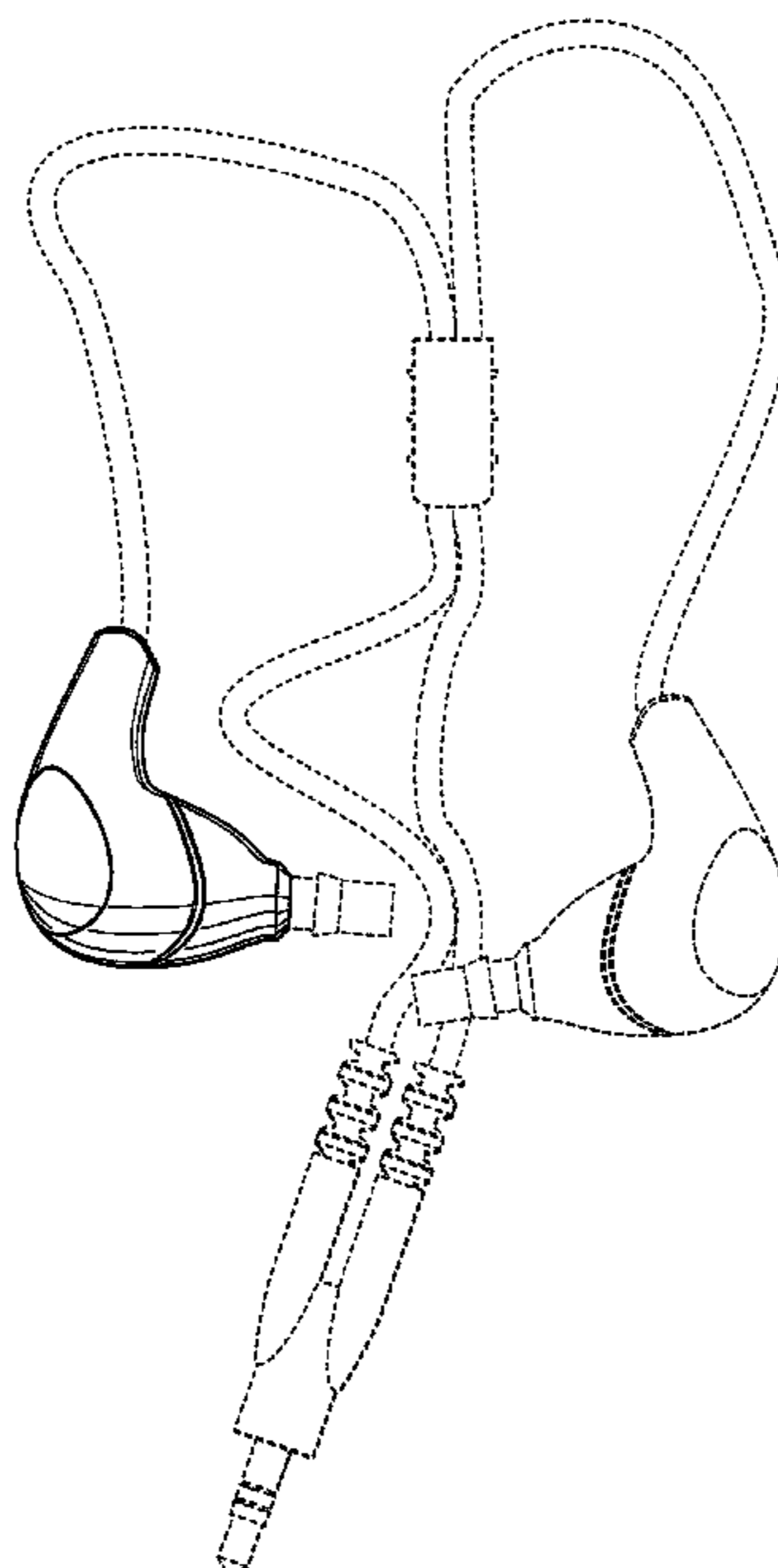


Fig. 1

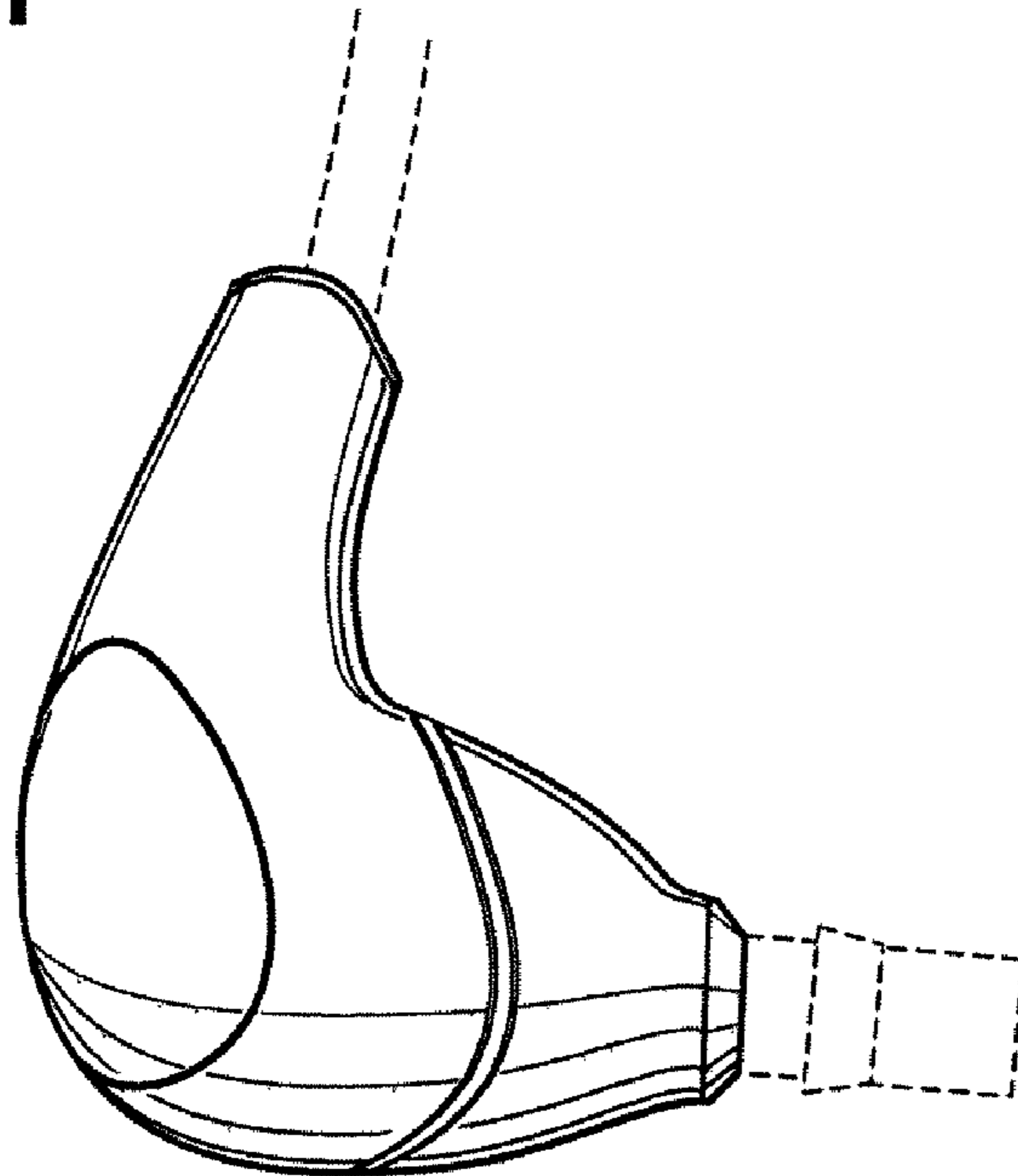


Fig. 2

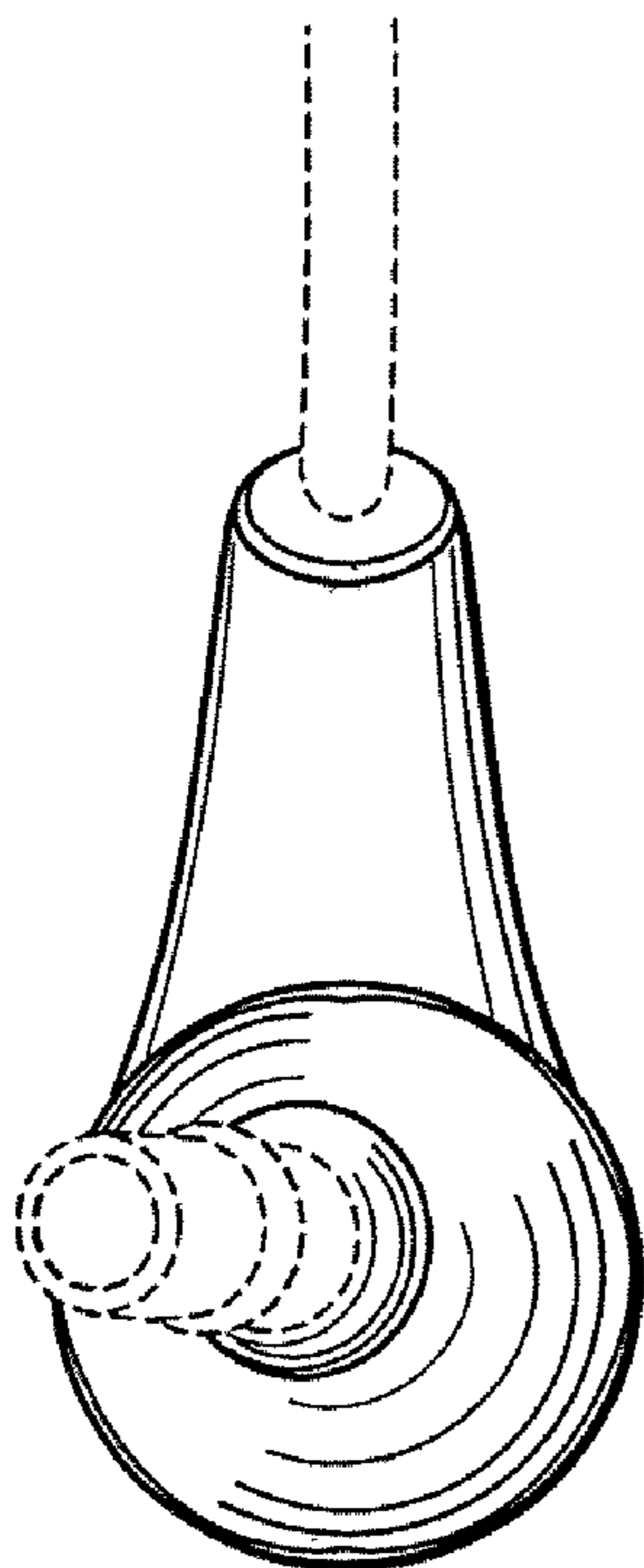


Fig. 3

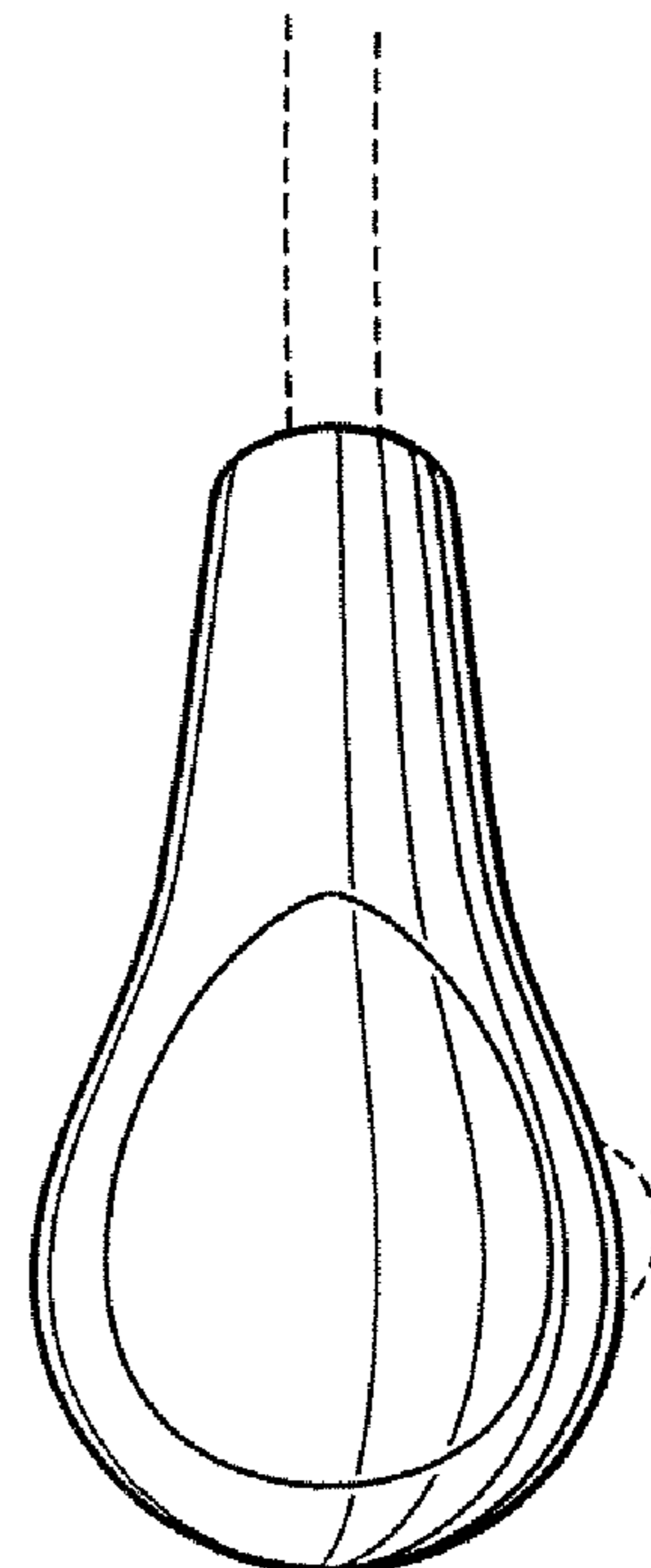


Fig. 4

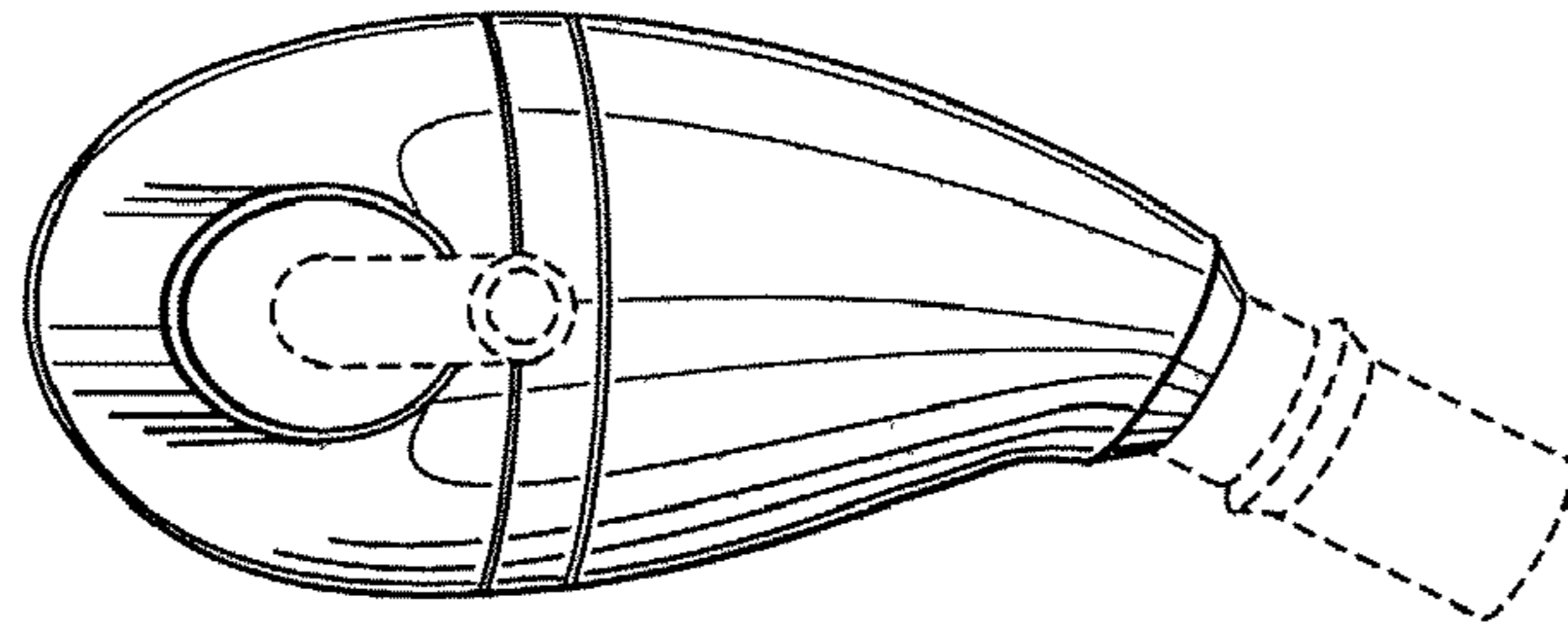


Fig. 5

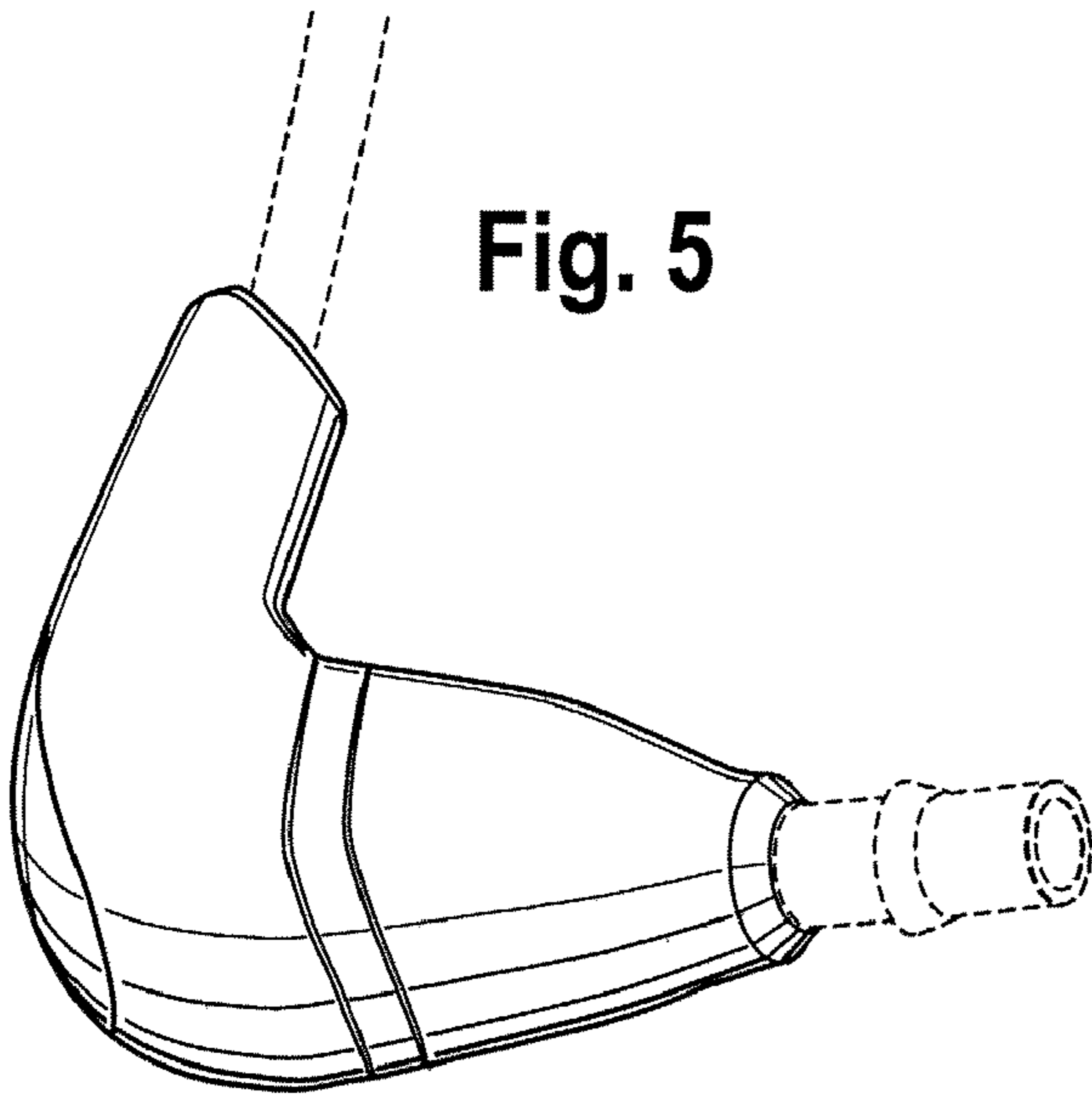


Fig. 6

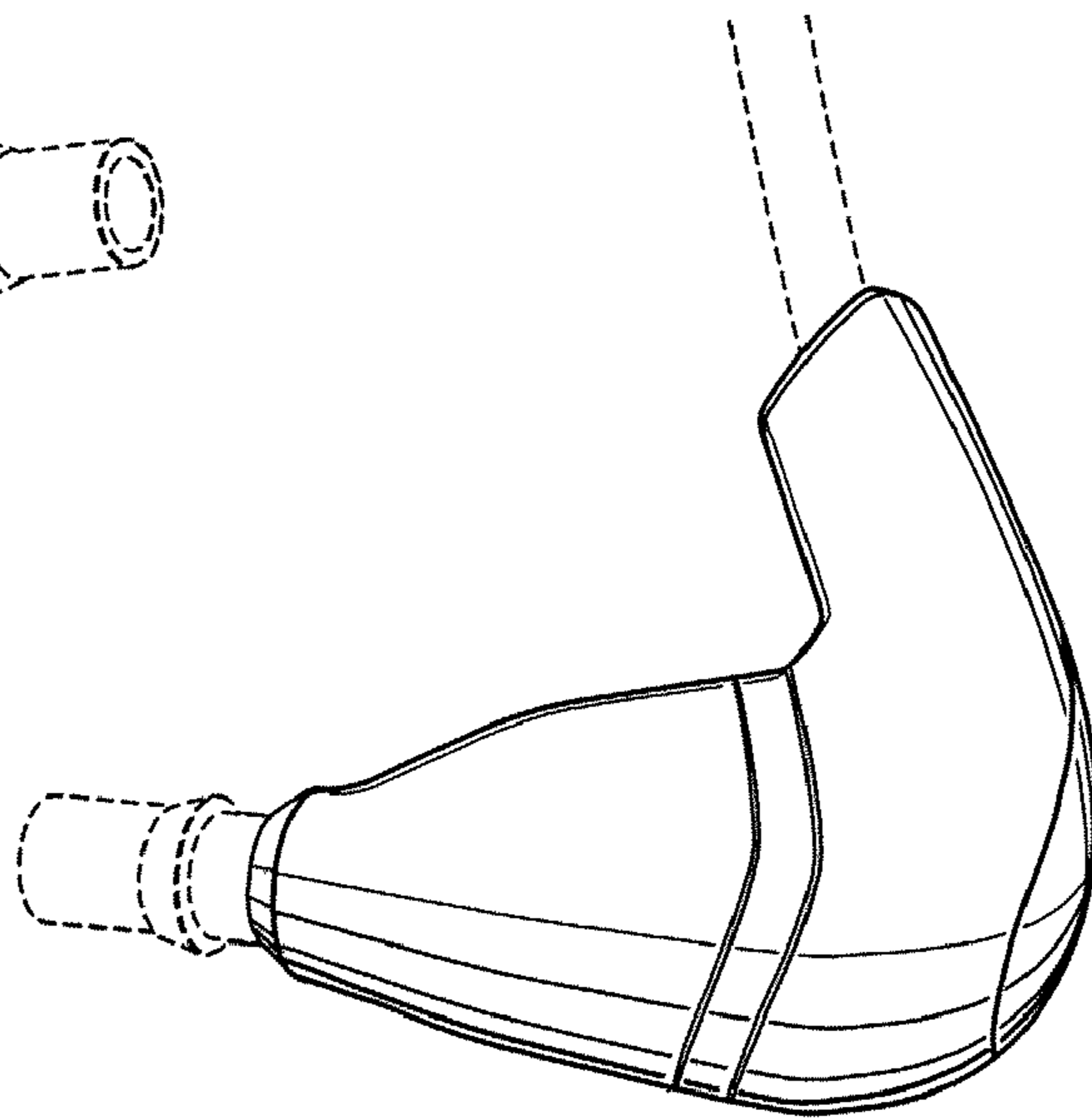


Fig. 7

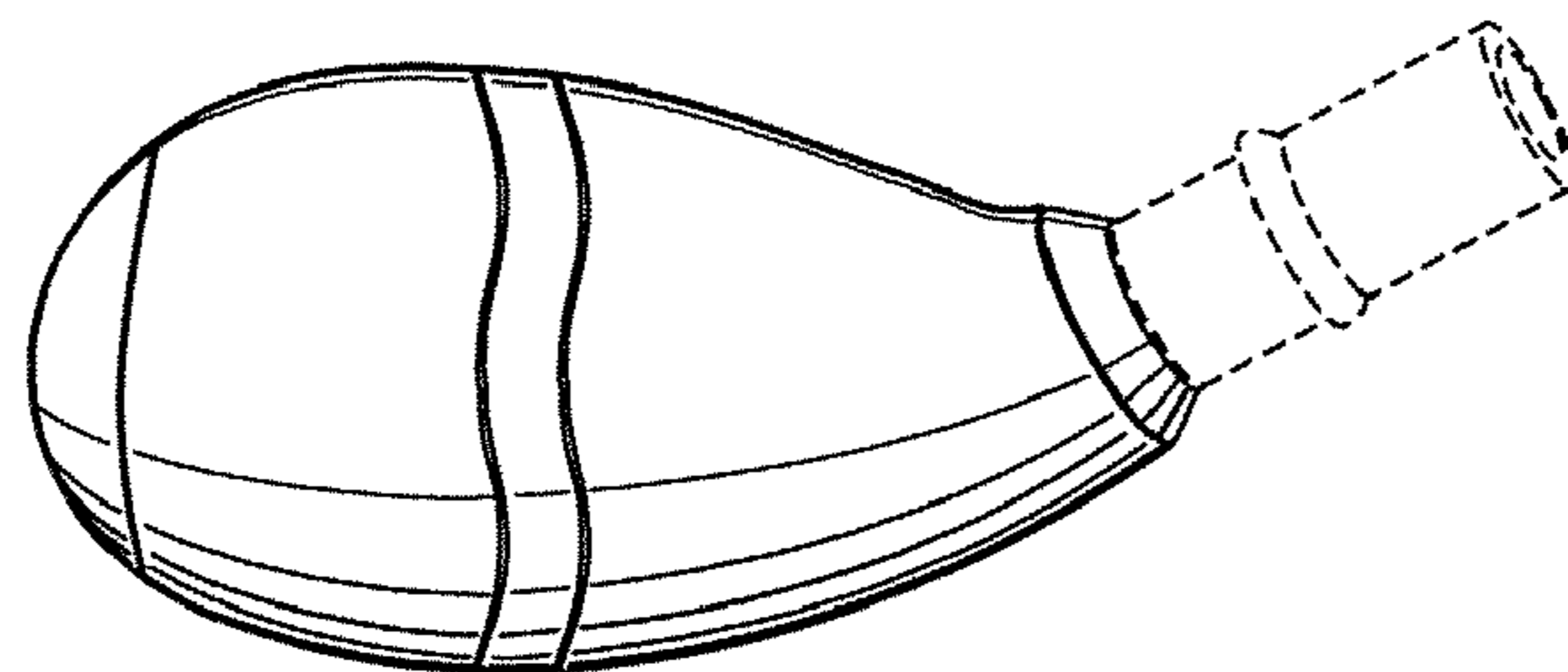


Fig. 8

