



US00D557251S

(12) **United States Design Patent**
Nohara

(10) **Patent No.:** **US D557,251 S**

(45) **Date of Patent:** **** Dec. 11, 2007**

(54) **RADIO**

(75) Inventor: **Takeshi Nohara**, Hachioji (JP)

(73) Assignee: **Olympus Imaging Corp.**, Tokyo (JP)

(**) Term: **14 Years**

(21) Appl. No.: **29/261,369**

(22) Filed: **Jun. 13, 2006**

(51) **LOC (8) Cl.** **14-03**

(52) **U.S. Cl.** **D14/194**

(58) **Field of Classification Search** D14/134-137,
D14/155, 160-171, 188, 191-198, 217, 265,
D14/496; D10/2; D21/513, 516; 369/6-12;
370/342-344; 455/344-355, 90.1-90.3
See application file for complete search history.

(56) **References Cited**

U.S. PATENT DOCUMENTS

D278,231 S *	4/1985	Tanaka et al.	D14/163
D297,831 S *	9/1988	Hirose et al.	D14/162
D309,637 S *	7/1990	Maazono	D21/405
D322,068 S *	12/1991	Yamakawa	D14/168
D334,418 S *	3/1993	Woo	D21/516
D352,714 S *	11/1994	Ichikawa et al.	D14/188
D365,823 S *	1/1996	Borgonovo	D14/168
D380,757 S *	7/1997	Mak	D14/171

D420,352 S *	2/2000	Chan	D14/171
D455,416 S *	4/2002	McDermott	D14/168
D491,937 S *	6/2004	Retourne et al.	D14/356
D514,545 S *	2/2006	Watanabe	D14/168
D539,816 S *	4/2007	Aoki et al.	D14/496

* cited by examiner

Primary Examiner—Mitchell Siegel

Assistant Examiner—Keli' L. Acker

(74) *Attorney, Agent, or Firm*—Straub & Pokotylo; John C. Pokotylo

(57) **CLAIM**

The ornamental design for a radio, as shown and described.

DESCRIPTION

FIG. 1 is a front, top and right side perspective view of a radio, showing my new design;

FIG. 2 is a rear, top and left side perspective view thereof;

FIG. 3 is a front elevational view thereof;

FIG. 4 is a rear elevational view thereof;

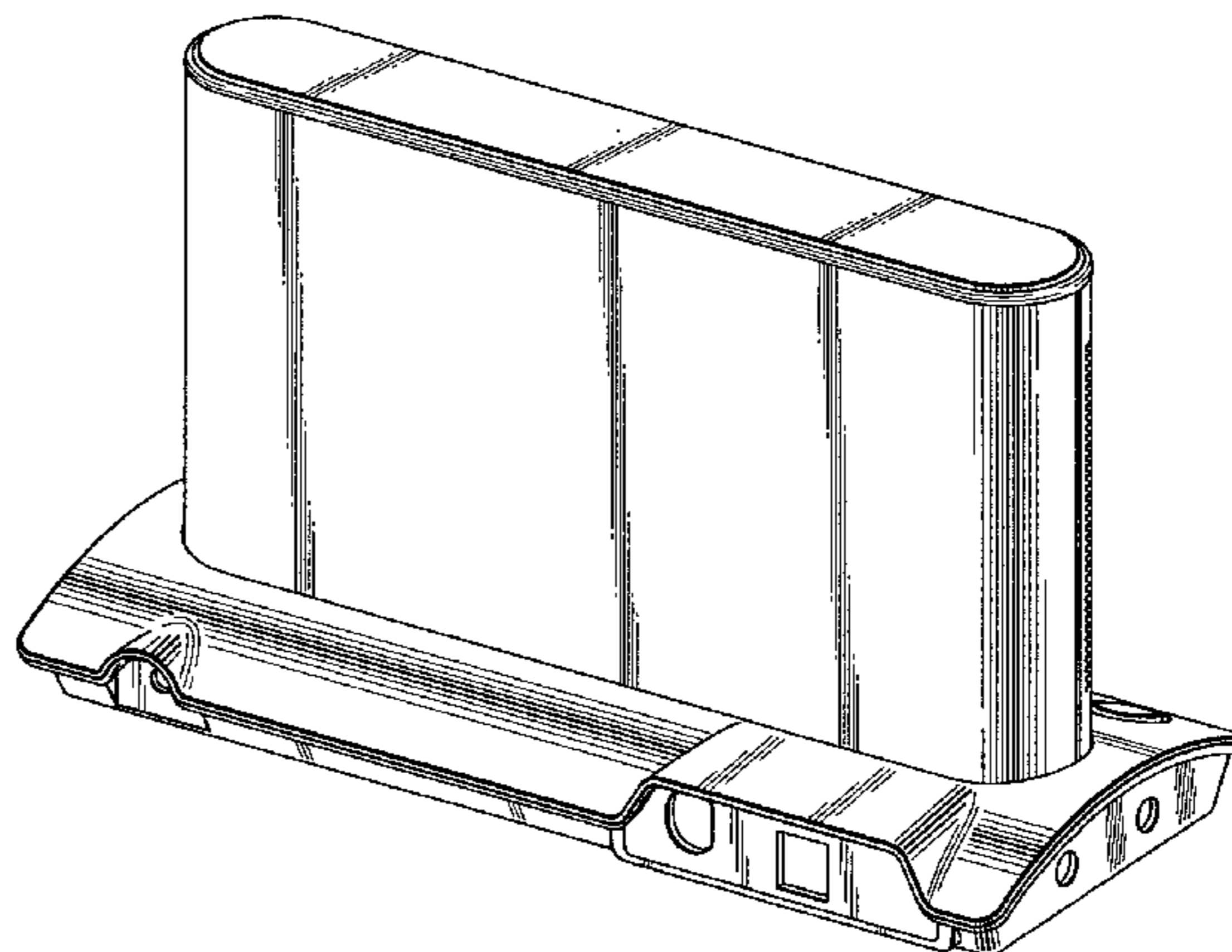
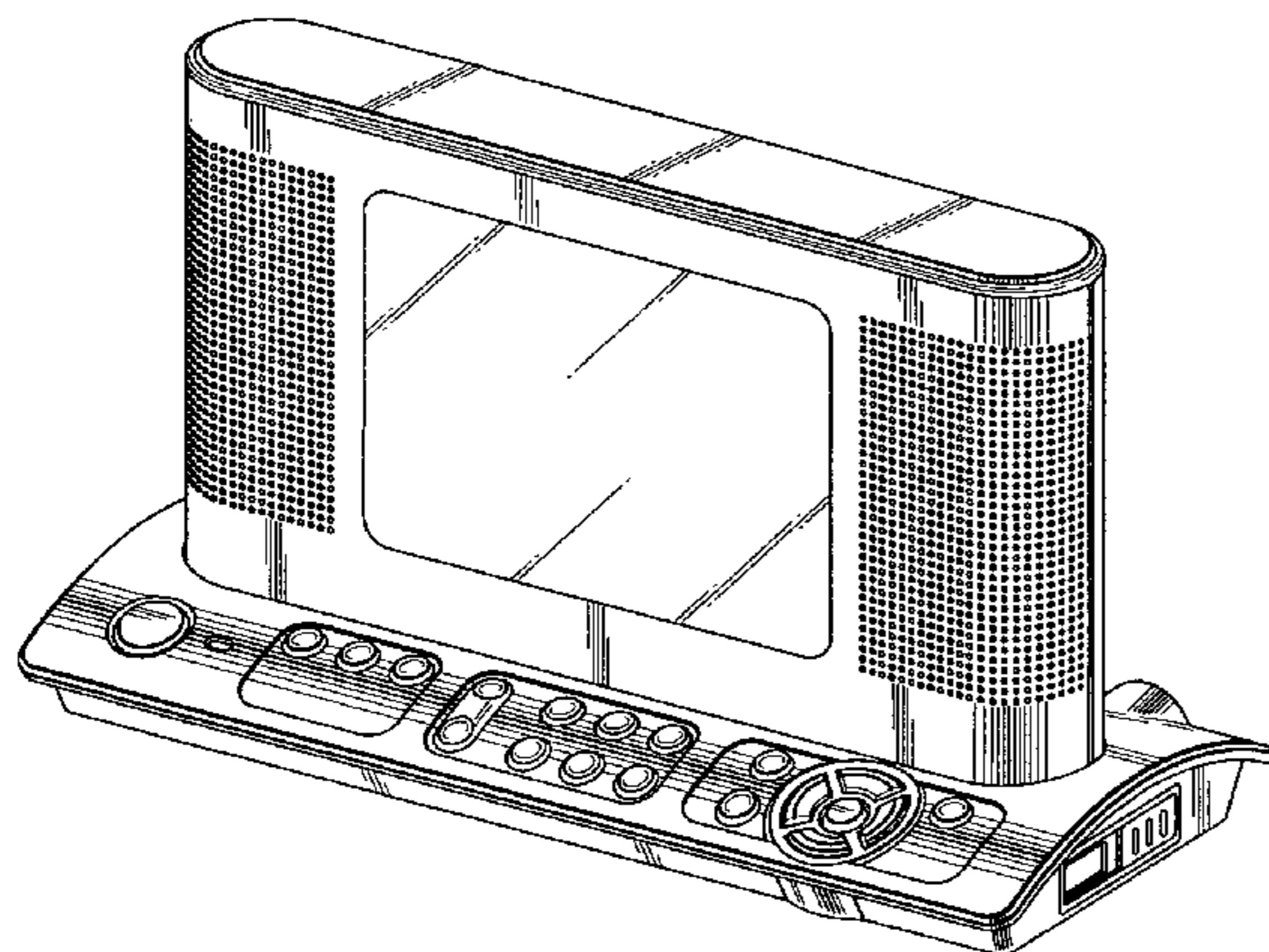
FIG. 5 is a top plan view thereof;

FIG. 6 is a bottom plan view thereof;

FIG. 7 is a right side elevational view thereof; and,

FIG. 8 is a left side elevational view thereof.

1 Claim, 4 Drawing Sheets



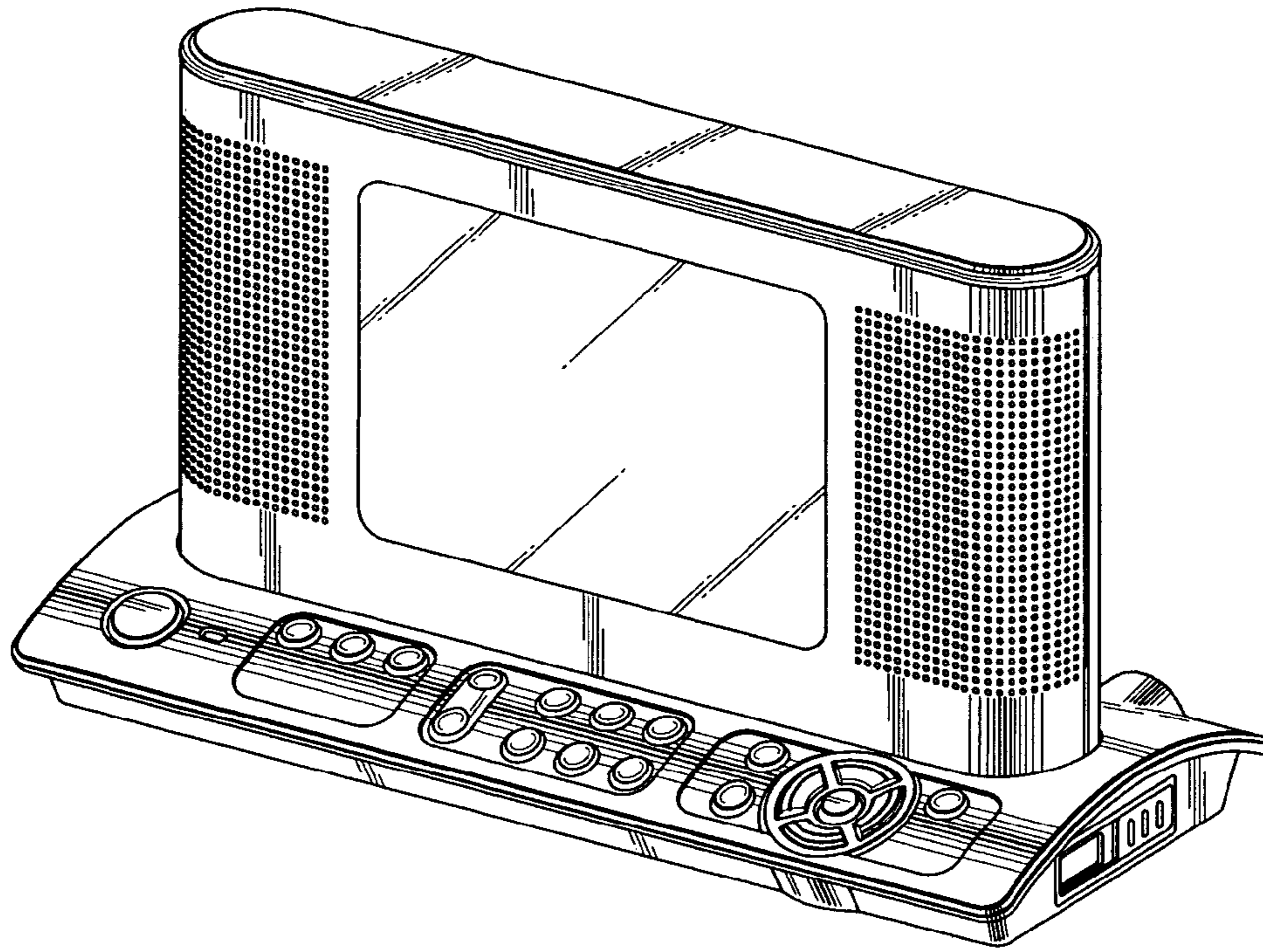


FIG. 1

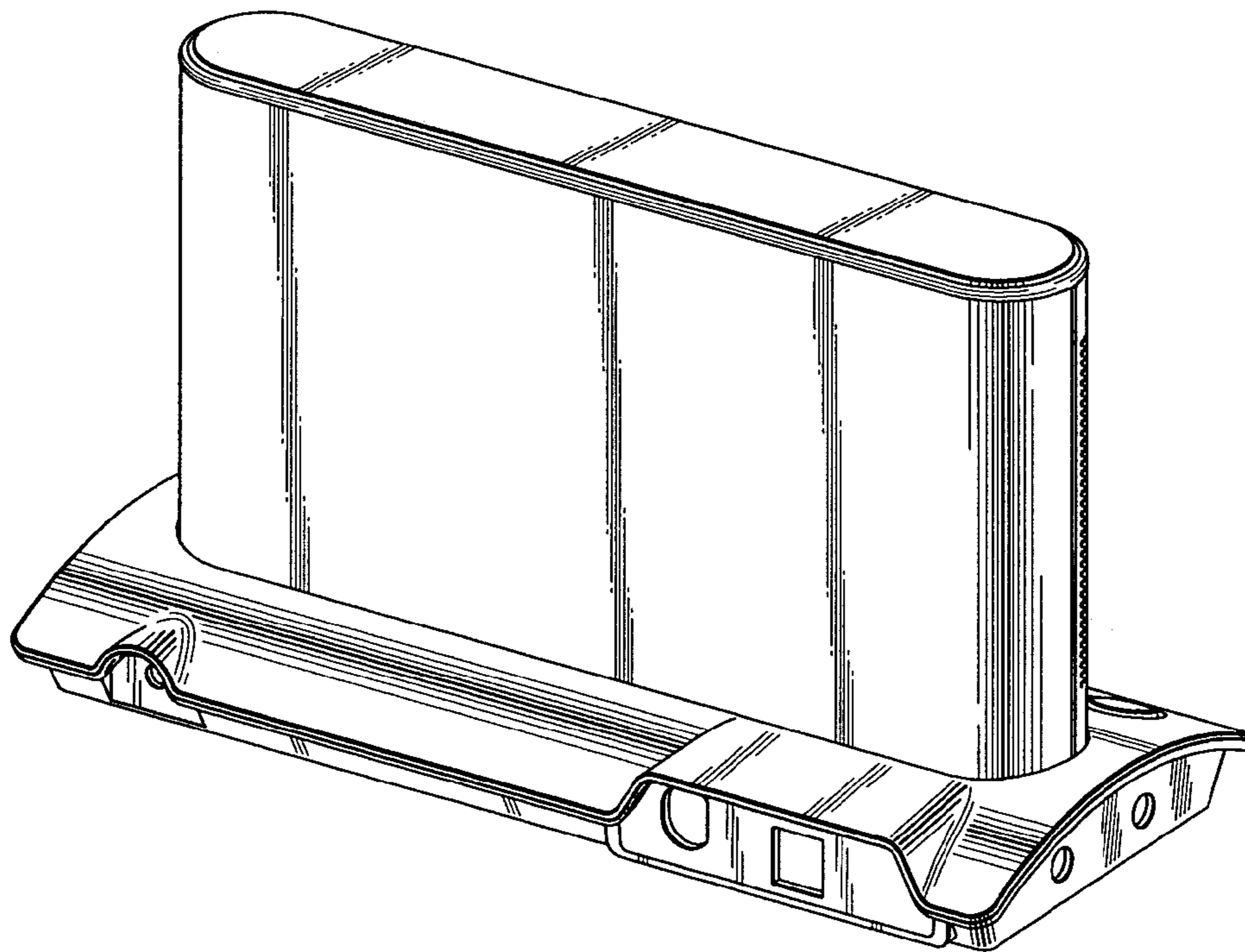


FIG. 2

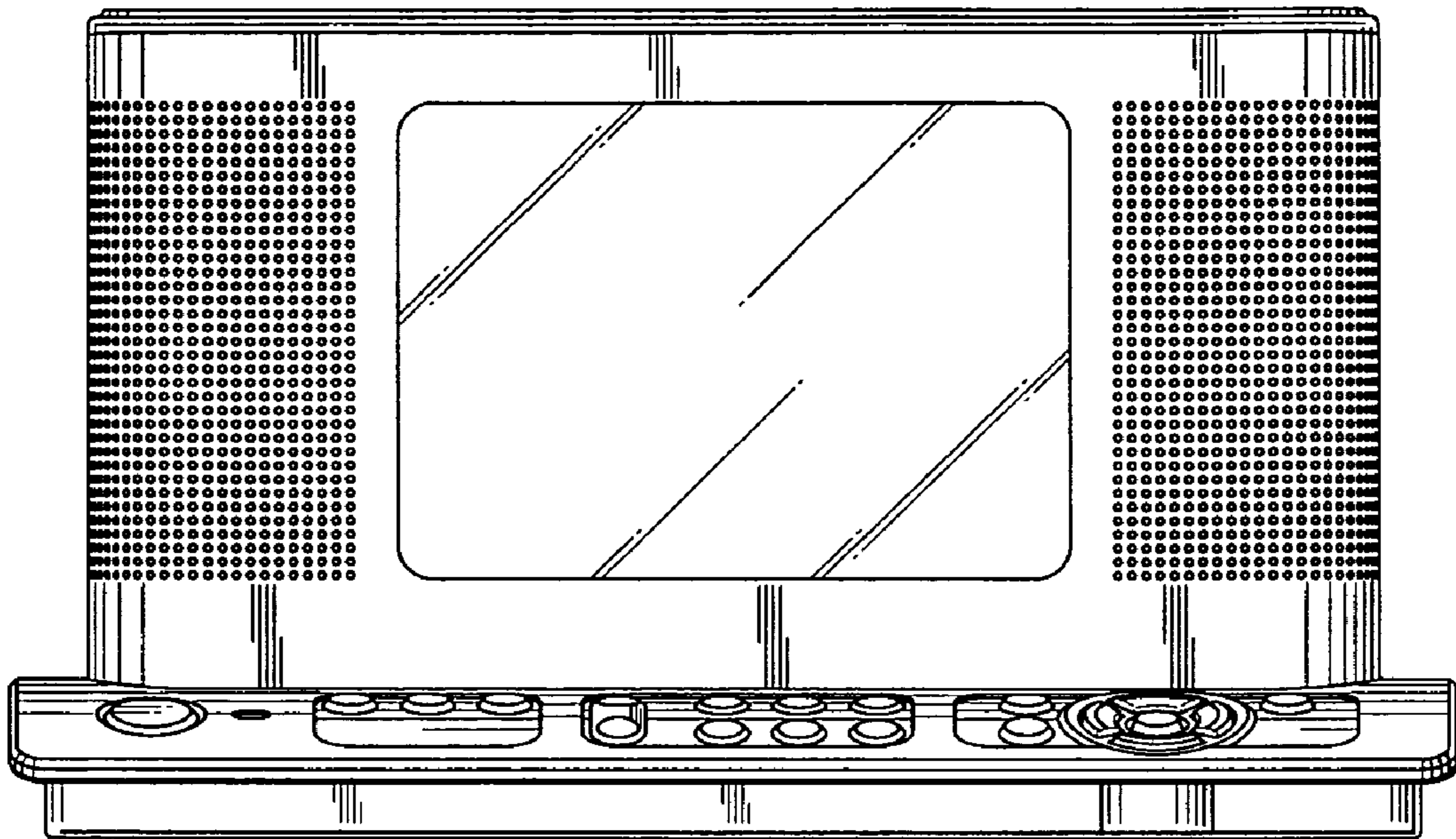


FIG. 3

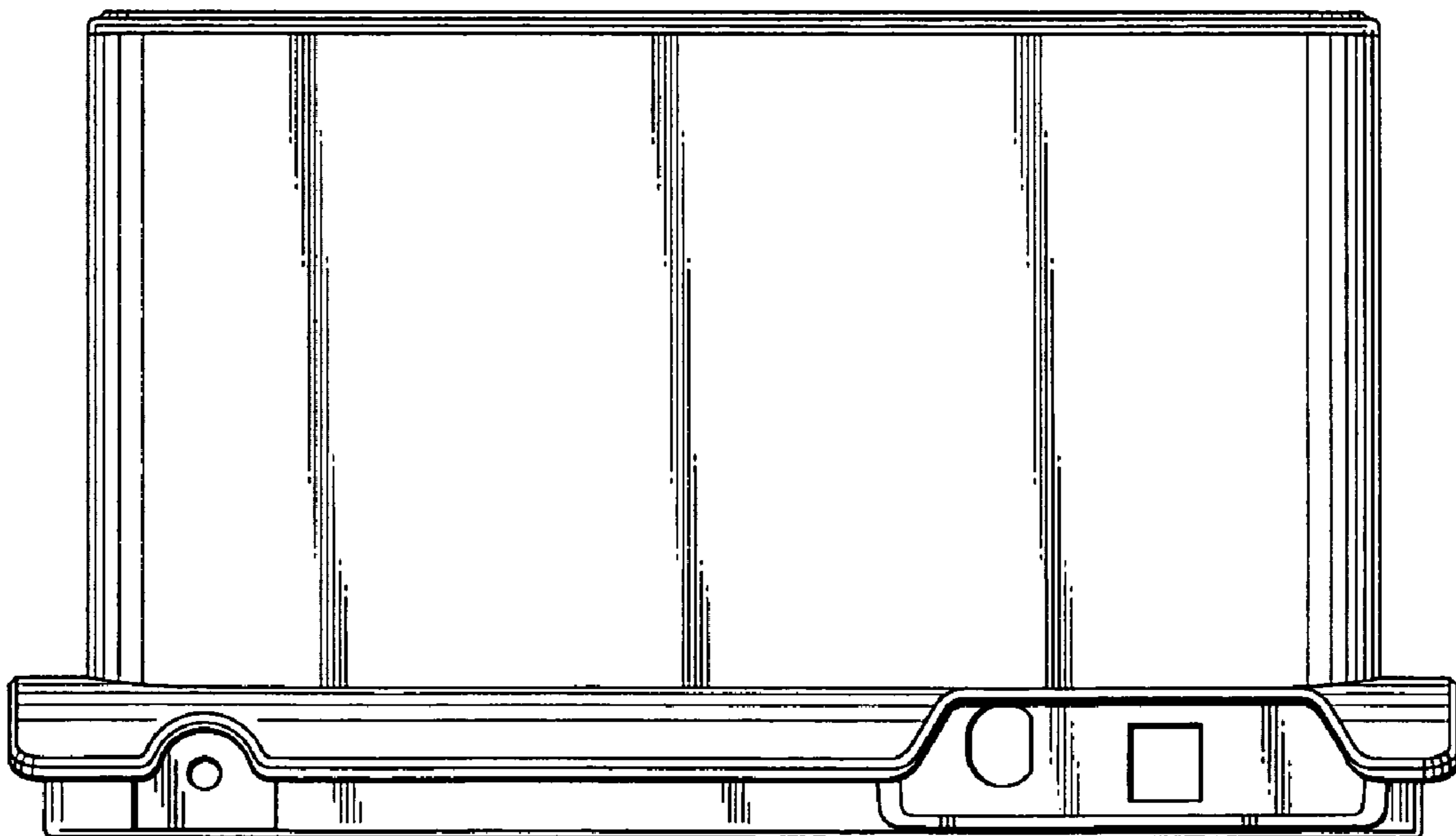


FIG. 4

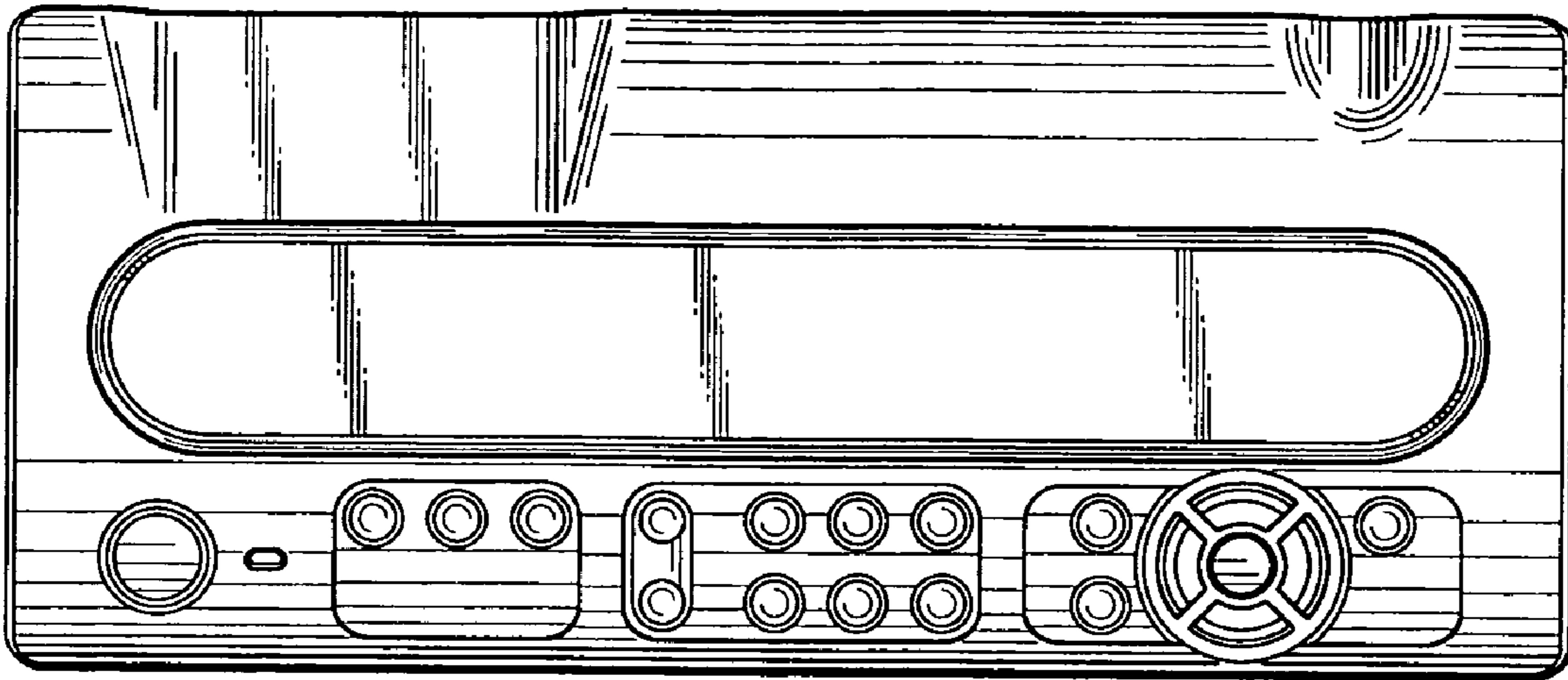


FIG. 5

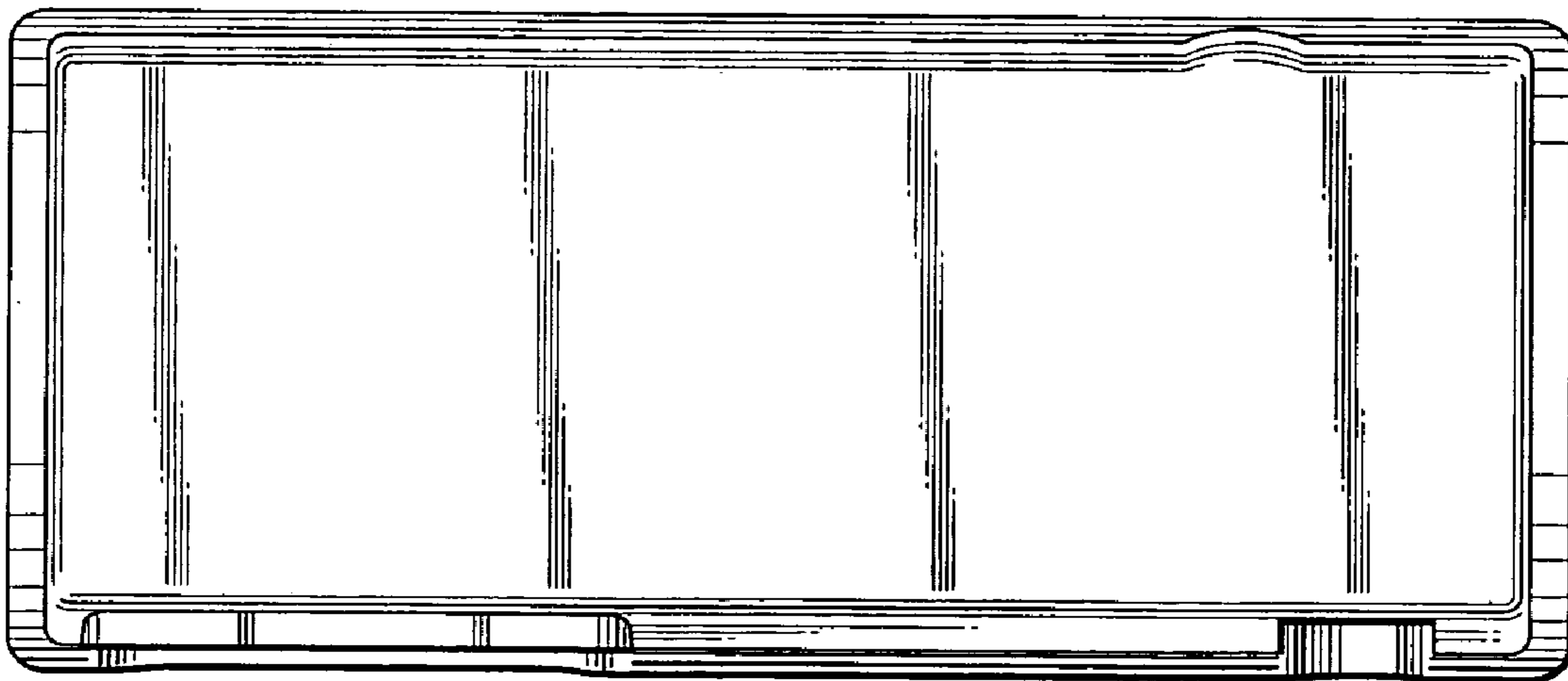


FIG. 6

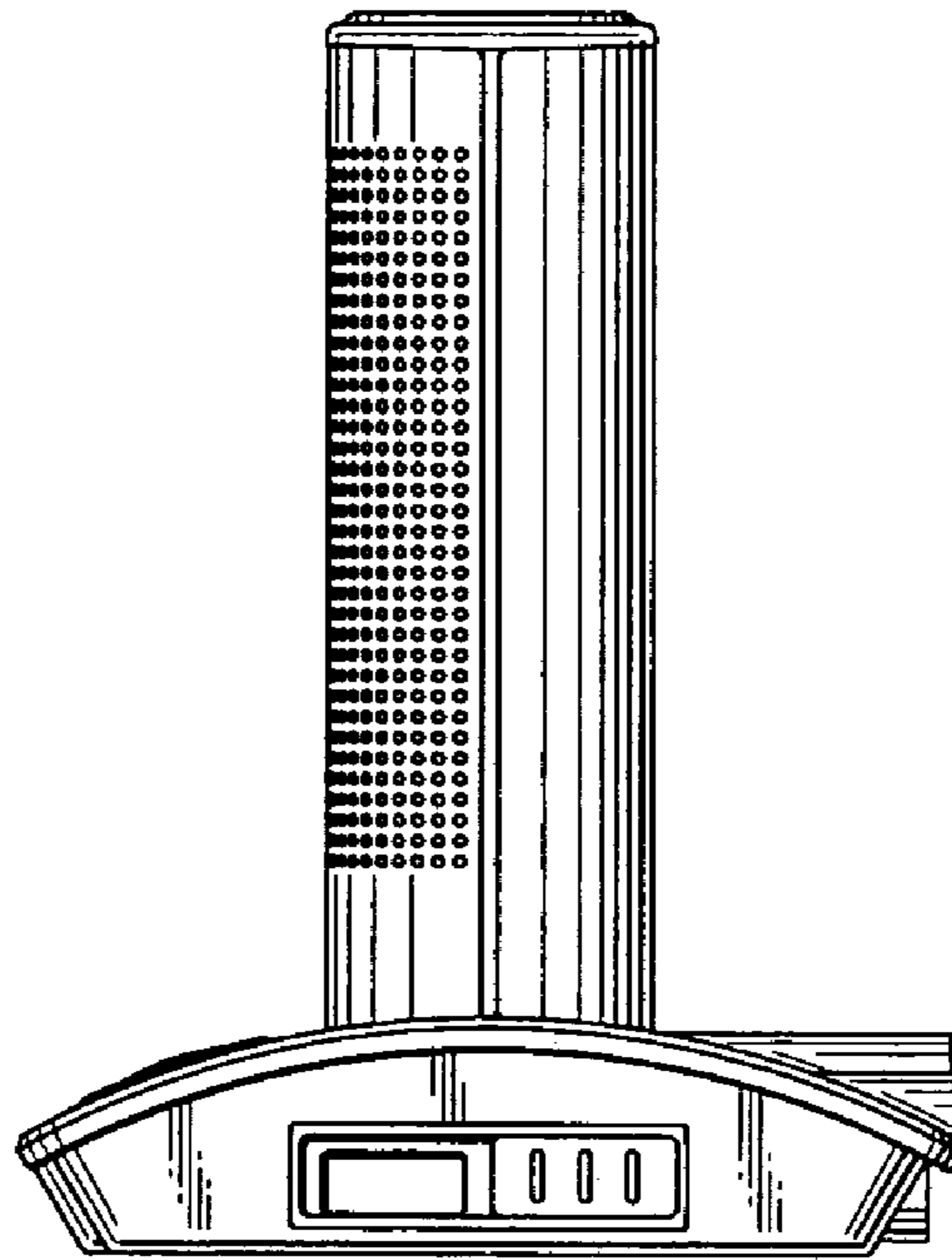


FIG. 7

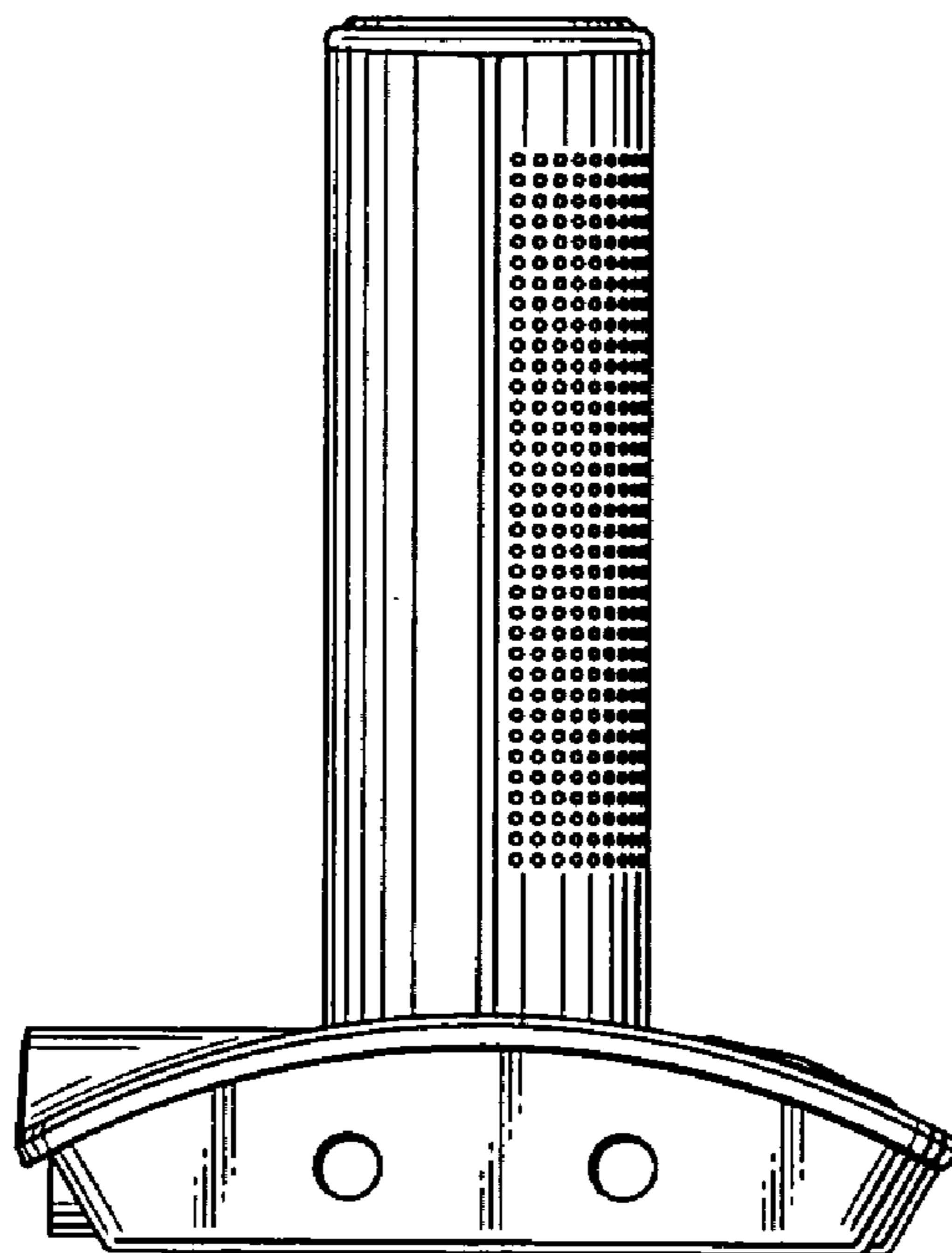


FIG. 8