



US00D557249S

(12) **United States Design Patent**
Weidinger

(10) **Patent No.:** **US D557,249 S**

(45) **Date of Patent:** **** Dec. 11, 2007**

(54) **COMMUNICATION ENDPOINT**

D534,512 S * 1/2007 Kim D14/130

(75) Inventor: **Joseph Weidinger**, Phoenix, AZ (US)

(73) Assignee: **Inter-Tel (Delaware), Inc**, Tempe, AZ (US)

(**) Term: **14 Years**

(21) Appl. No.: **29/288,833**

(22) Filed: **Jun. 22, 2007**

(51) **LOC (8) Cl.** **14-03**

(52) **U.S. Cl.** **D14/151**

(58) **Field of Classification Search** D14/125-130,
D14/140-142, 144, 146-151, 240, 243, 248,
D14/250-253, 329-330, 496; D13/107-108;
320/110, 113-115; 348/14.01-14.06; 379/88.17,
379/90.01, 93.17, 419-420.04, 428.01-428.04,
379/434-436, 440, 446, 454-455; 455/550.1-90.3
See application file for complete search history.

(56) **References Cited**

U.S. PATENT DOCUMENTS

| | | | | |
|---------------|---------|-----------------|-------|-----------|
| D332,263 S * | 1/1993 | Taniguchi | | D14/151 |
| 5,412,417 A * | 5/1995 | Tozuka | | 348/14.01 |
| D398,302 S * | 9/1998 | Lio | | D14/130 |
| D410,005 S * | 5/1999 | Landry et al. | | D14/151 |
| D412,171 S * | 7/1999 | Girardi et al. | | D14/151 |
| D439,231 S * | 3/2001 | Song | | D14/144 |
| D472,540 S * | 4/2003 | Katou | | D14/151 |
| D481,701 S * | 11/2003 | Kamezawa et al. | | D14/151 |
| D499,079 S * | 11/2004 | Abe et al. | | D14/151 |
| D511,761 S * | 11/2005 | Robinson et al. | | D14/151 |
| D529,477 S * | 10/2006 | Hsu | | D14/151 |
| D530,303 S * | 10/2006 | Tang | | D14/151 |

OTHER PUBLICATIONS

Cisco IP Phone 7970G Global, available since Jan. 10, 2004,
<URL:http://www.calibex.com/Cisco-IP-PHONE-7970G-60538892/cb2/prices-html>, retrieved from internet Sep. 13, 2007.*

* cited by examiner

Primary Examiner—Charles A. Rademaker

Assistant Examiner—Carla Jobe Wright

(74) *Attorney, Agent, or Firm*—Michelle Whittington

(57) **CLAIM**

The ornamental design for a communication endpoint, as shown and described.

DESCRIPTION

FIG. 1 is a top view of a communication endpoint showing my new design with the movable display panel in an upright position:

FIG. 2 is a front view thereof;

FIG. 3 is a back view thereof;

FIG. 4 is a bottom view thereof;

FIG. 5 is a left side view thereof;

FIG. 6 is a right side view thereof;

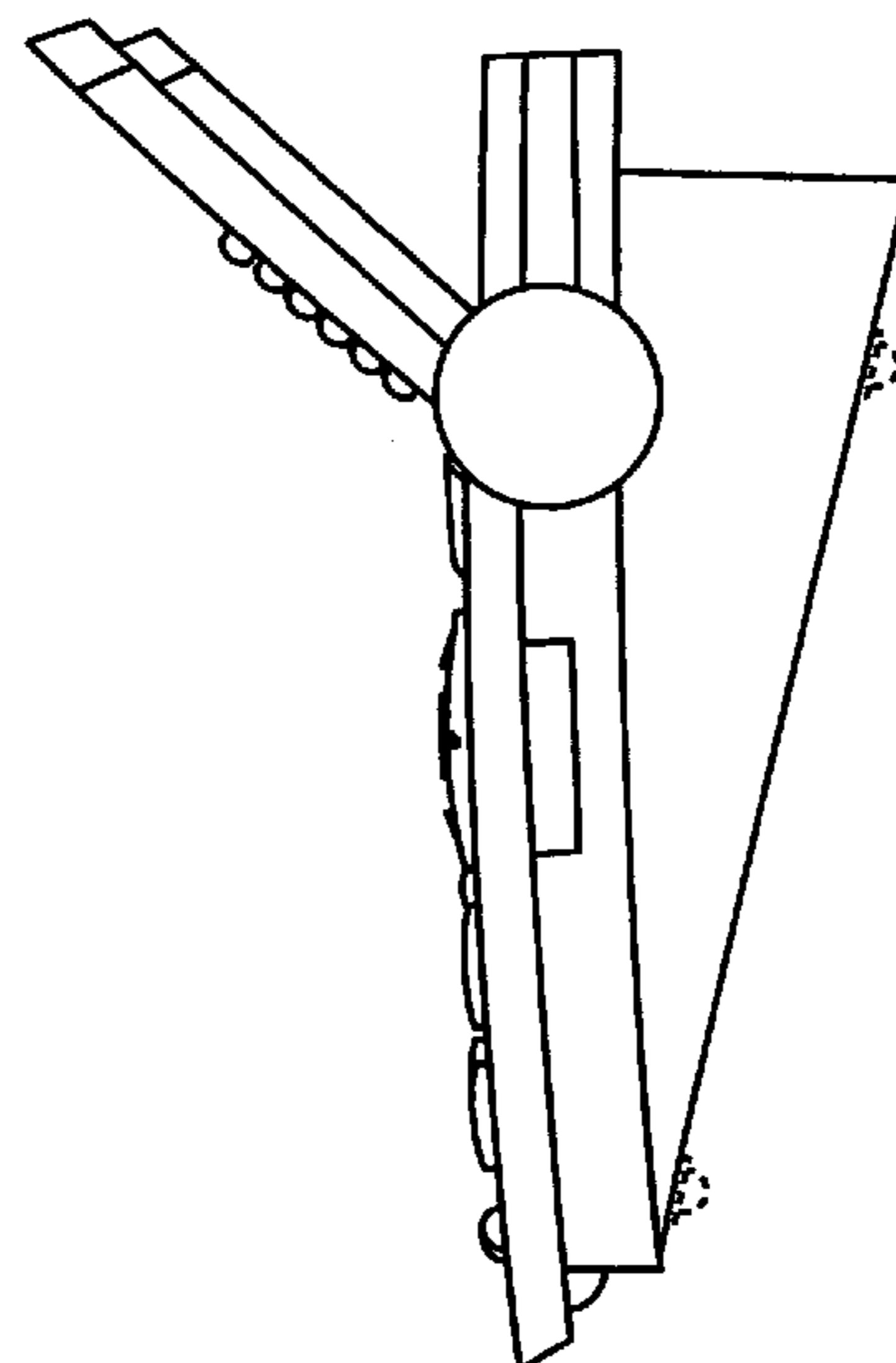
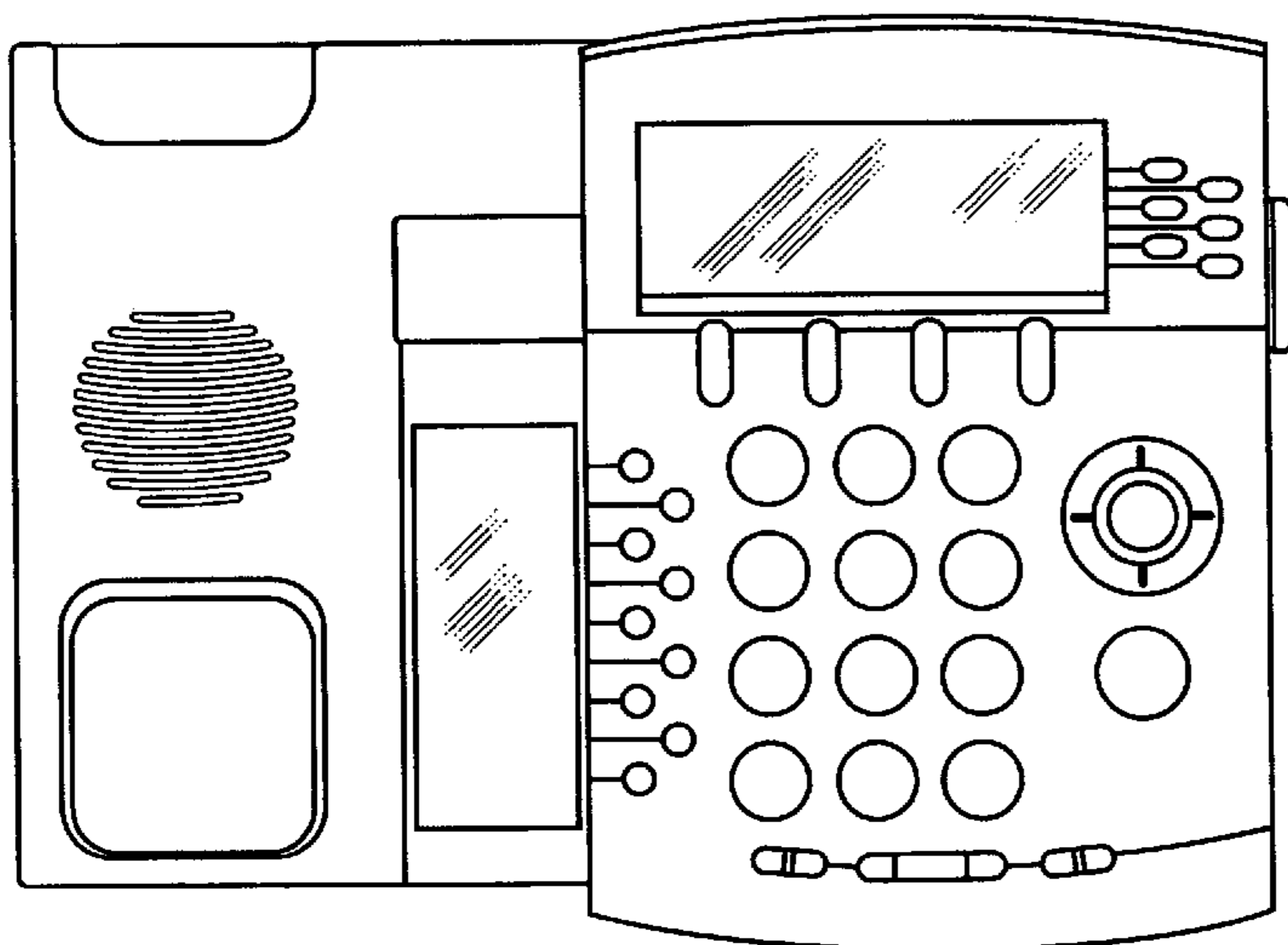
FIG. 7 is a top, front, and left side perspective view thereof;

FIG. 8 is a top, front, and right side perspective view thereof; and,

FIG. 9 is a top, front, and left side perspective view showing my new design with the movable display panel in a flat position.

The broken line showing of environmental structures is for illustrative purposes only and forms no part of the claimed design.

1 Claim, 9 Drawing Sheets



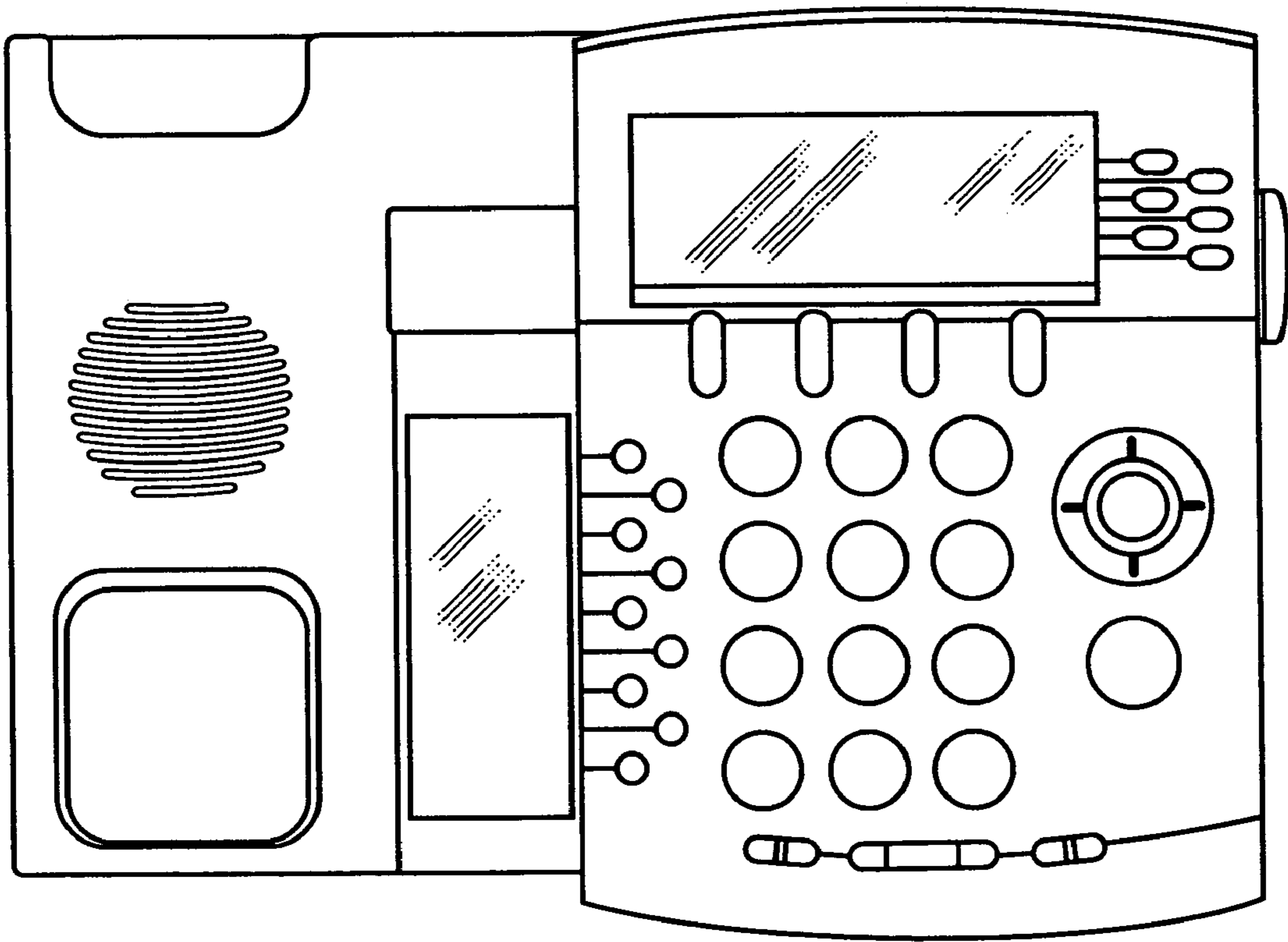


Fig. 1

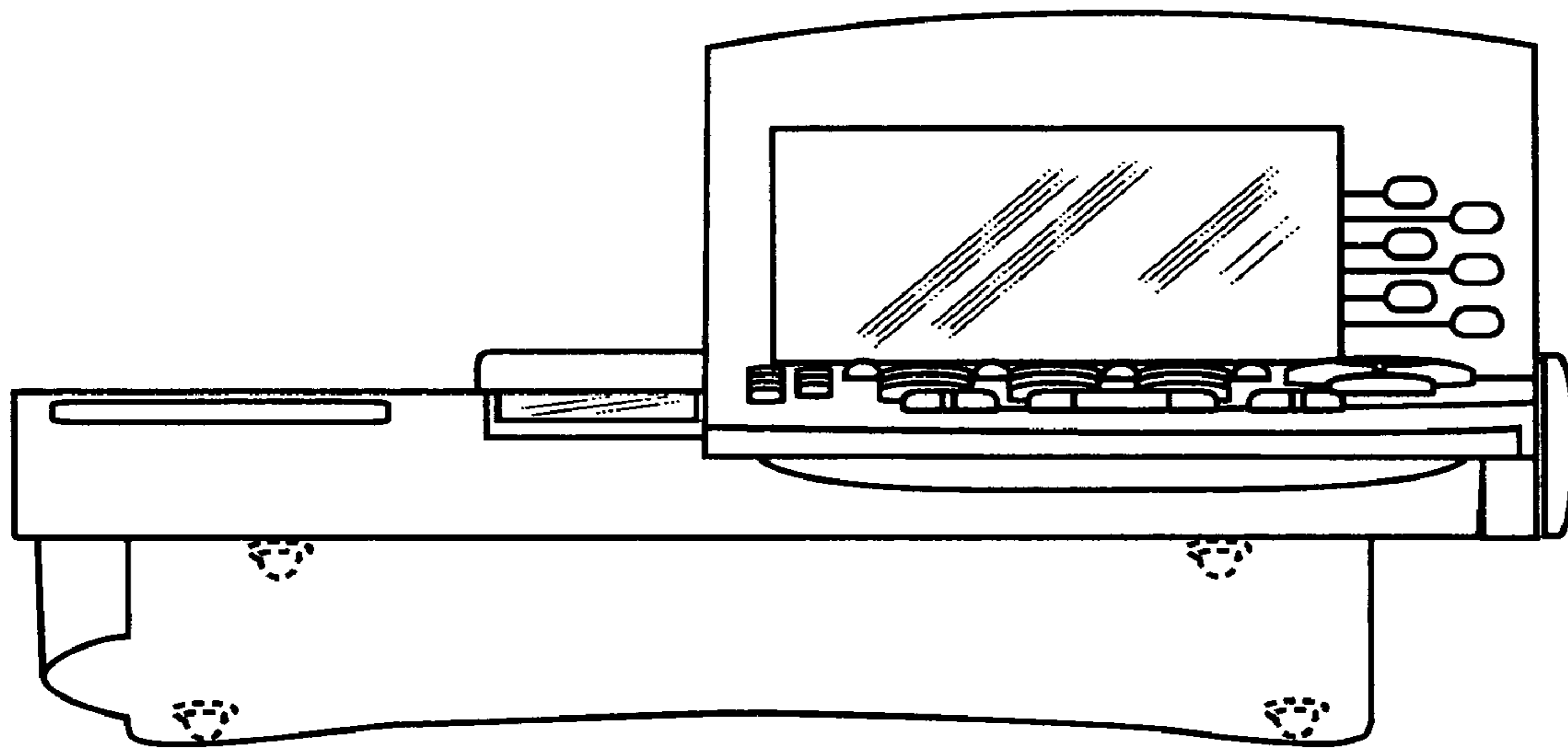


Fig. 2

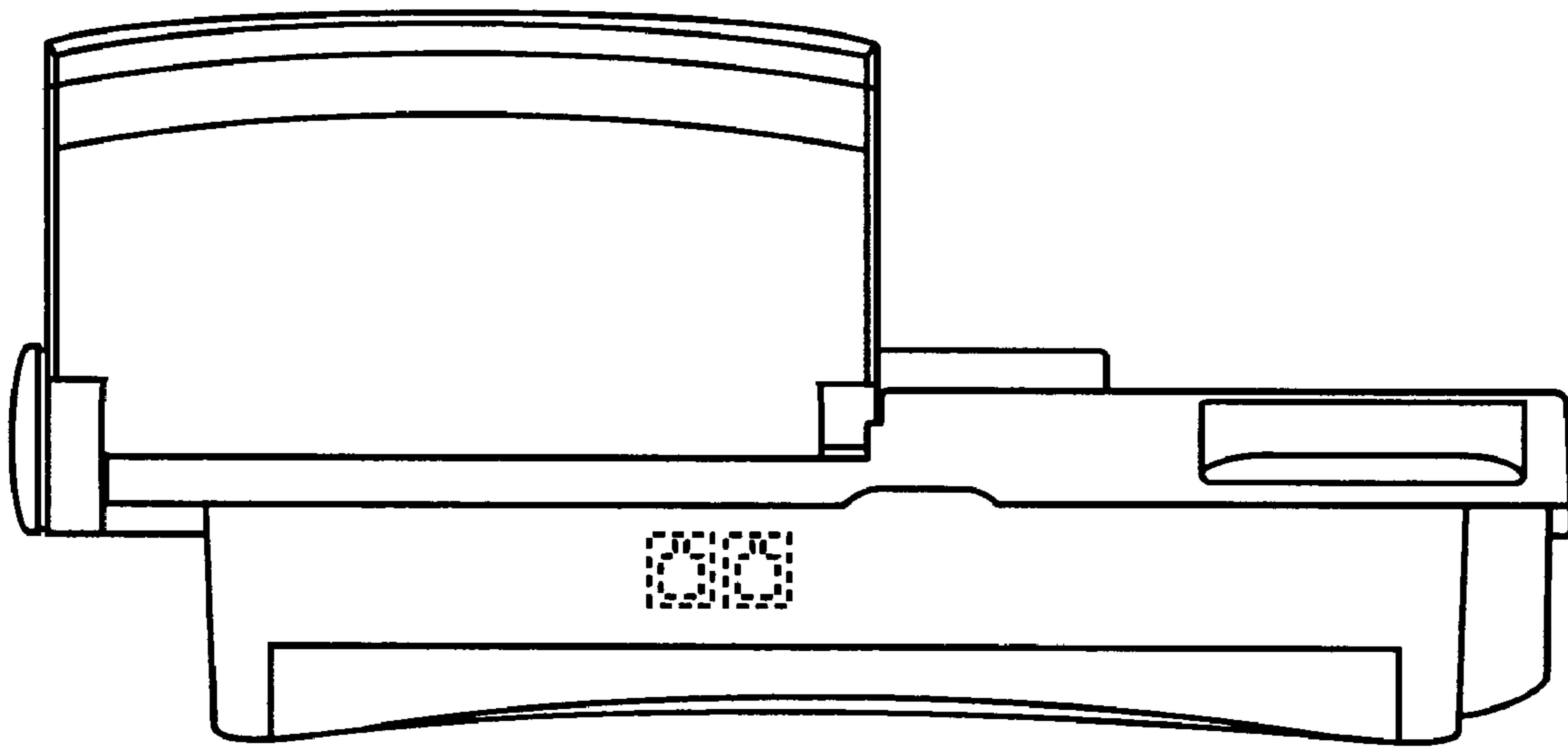


Fig. 3

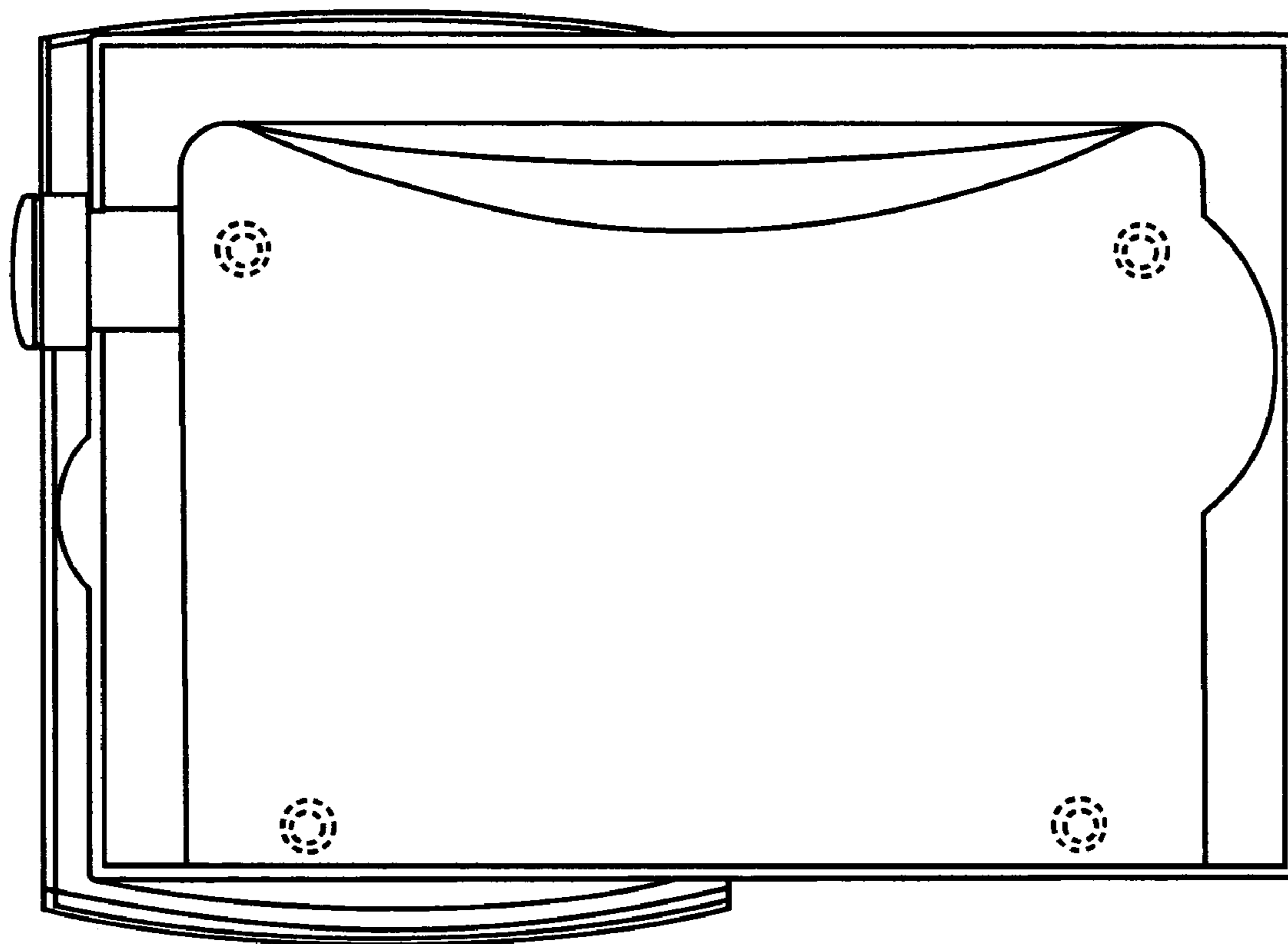


Fig. 4

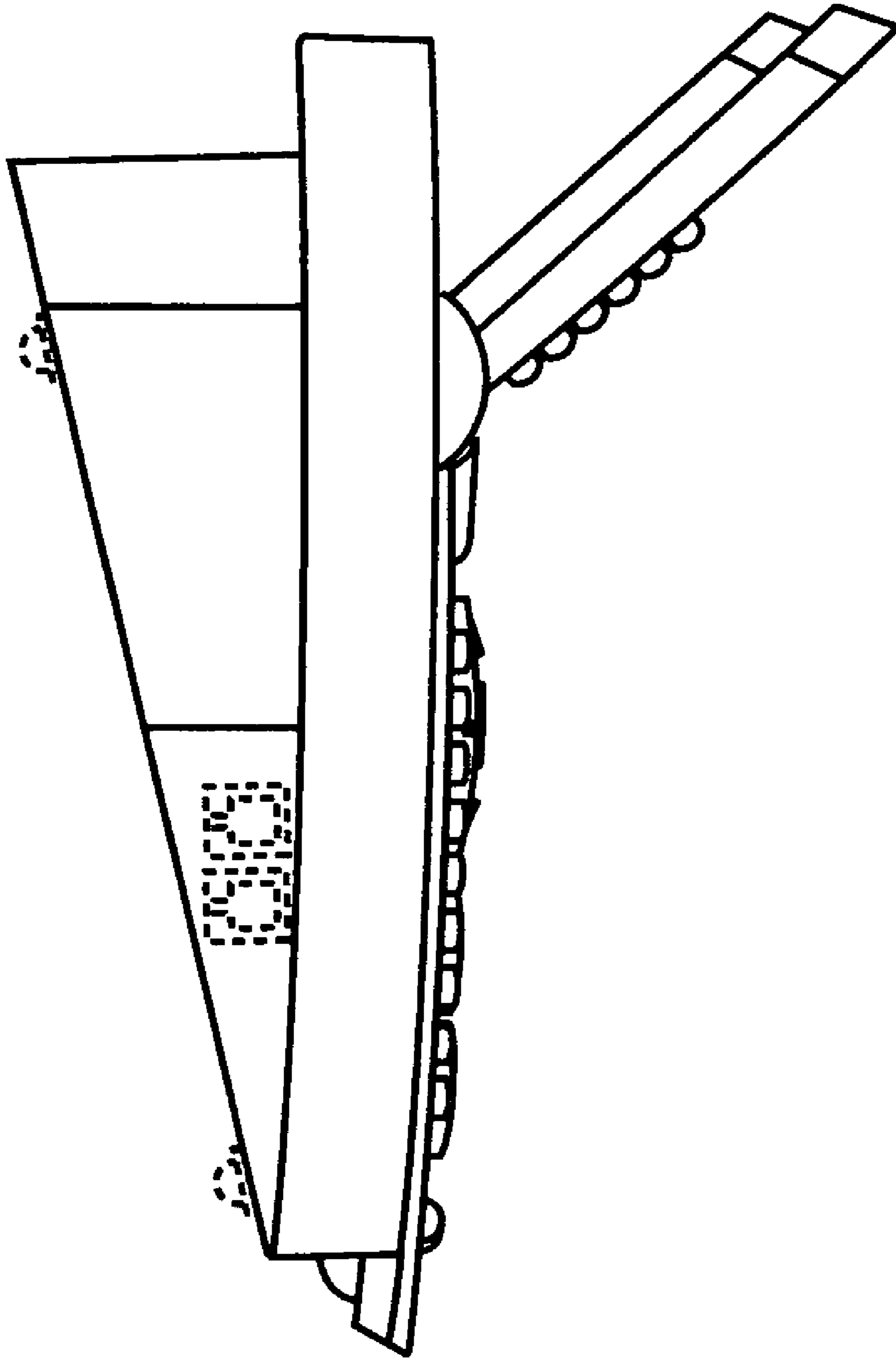


Fig. 5

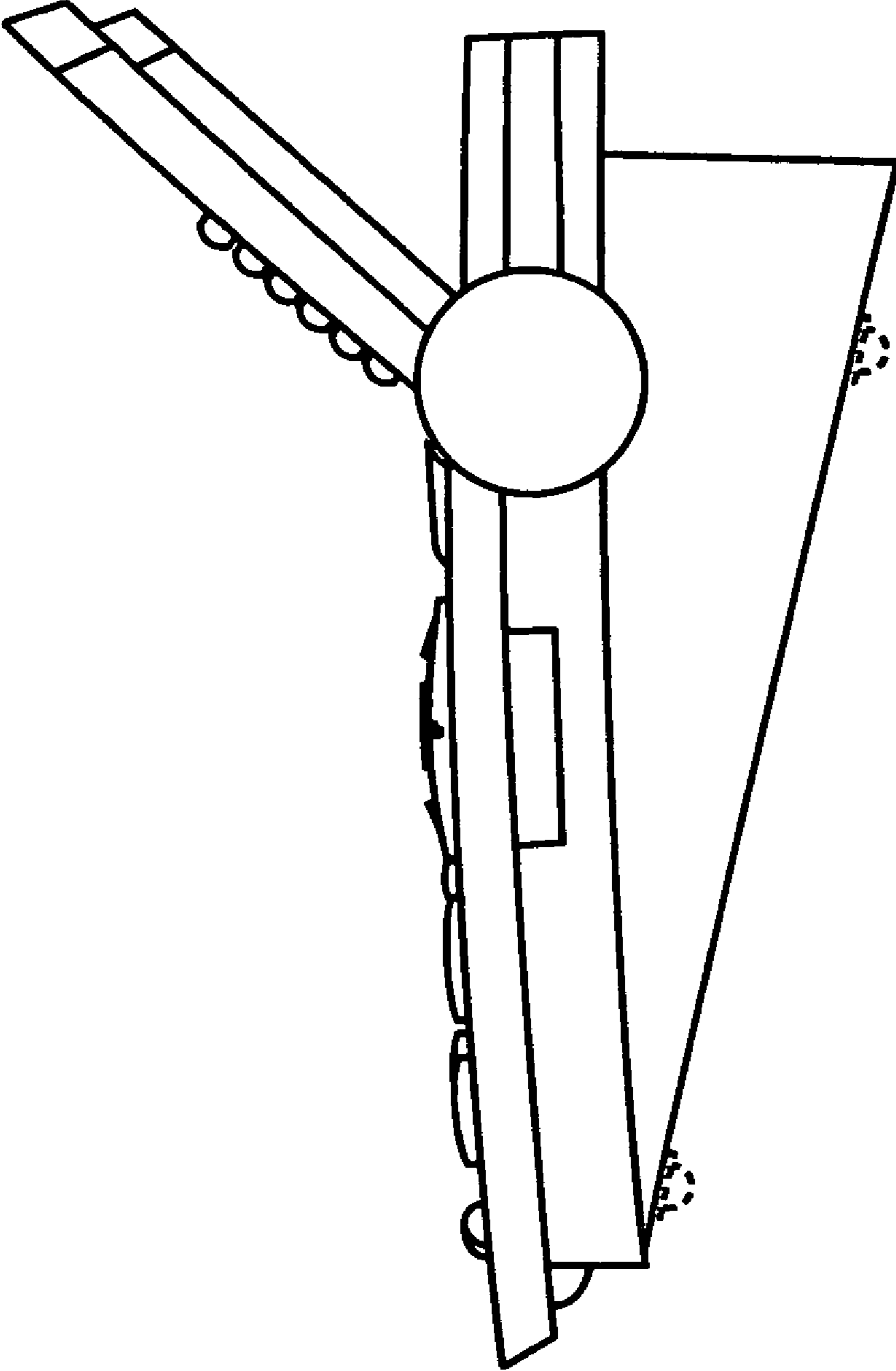


Fig. 6



Fig. 7



Fig. 8

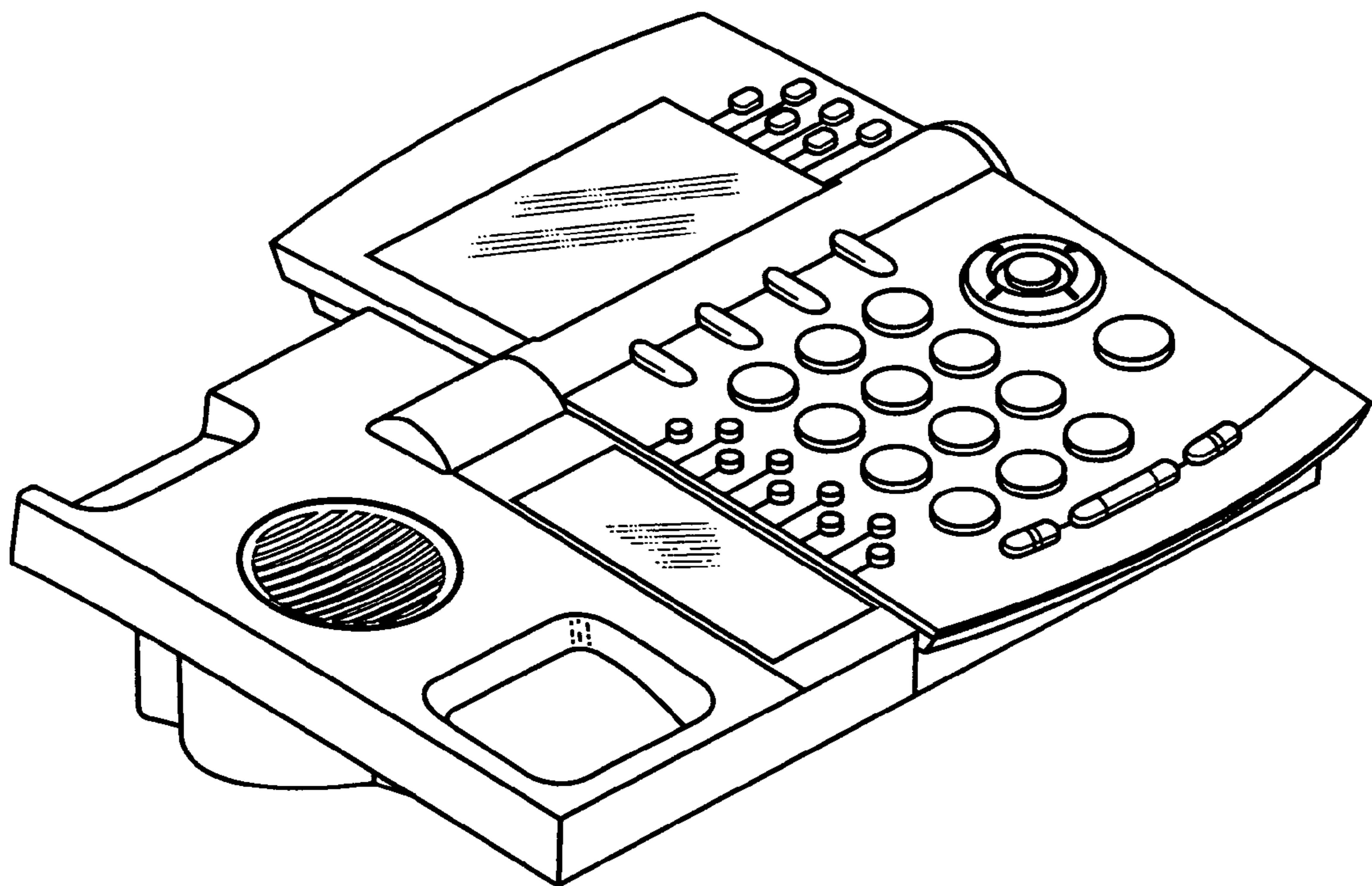


Fig. 9