



US00D557248S

(12) **United States Design Patent**
Wada

(10) **Patent No.:** **US D557,248 S**

(45) **Date of Patent:** **** Dec. 11, 2007**

(54) **SPEAKERPHONE**

(75) Inventor: **Isao Wada**, Hamamatsu (JP)

(73) Assignee: **Yamaha Corporation**, Shizuoka (JP)

(**) Term: **14 Years**

(21) Appl. No.: **29/265,907**

(22) Filed: **Sep. 12, 2006**

(30) **Foreign Application Priority Data**

Jun. 22, 2006 (JP) 2006-016187

(51) **LOC (8) Cl.** **14-03**

(52) **U.S. Cl.** **D14/150**

(58) **Field of Classification Search** D14/147-151,
D14/225, 228, 140-142, 144, 240, 241, 251-253,
D14/159, 218, 451, 243, 211-213; 379/426,
379/449, 419, 440, 420.01-420.04, 428.01-428.04,
379/434-436, 202.01-206.1; 455/550.1-90.3
See application file for complete search history.

(56) **References Cited**

U.S. PATENT DOCUMENTS

D283,891 S * 5/1986 Parshad et al. D14/228
D327,479 S * 6/1992 Britz D14/225
D355,416 S * 2/1995 McCay et al. D14/137

D481,370 S * 10/2003 Popowski et al. D14/150
D495,676 S * 9/2004 Slevin et al. D14/150
2003/0053620 A1 * 3/2003 Chen 379/447

FOREIGN PATENT DOCUMENTS

JP D1187512 S 10/2003
JP D1254076 S 10/2005
JP D1266383 S 3/2006

* cited by examiner

Primary Examiner—Terry A Wallace

(74) *Attorney, Agent, or Firm*—Sughrue Mion Pllc.

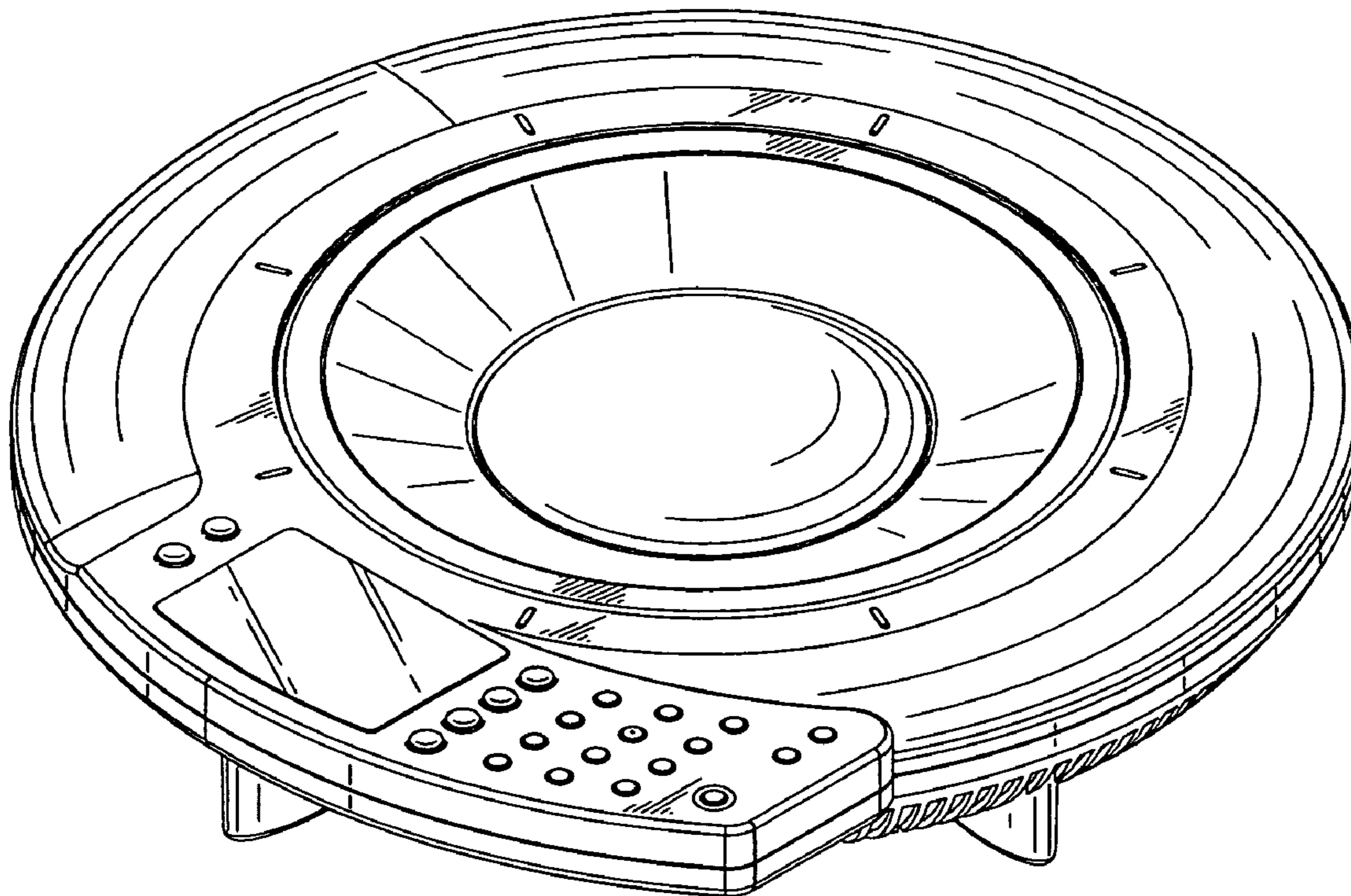
(57) **CLAIM**

The ornamental design for a speakerphone, as shown.

DESCRIPTION

FIG. 1 is a perspective view of the top, front and right side of a speakerphone showing my new design;
FIG. 2 is a front elevational view thereof;
FIG. 3 is a rear elevational view thereof;
FIG. 4 is a top plan view thereof;
FIG. 5 is a right side elevational view thereof;
FIG. 6 is a left side elevational view thereof; and,
FIG. 7 is a bottom plan view thereof.

1 Claim, 3 Drawing Sheets



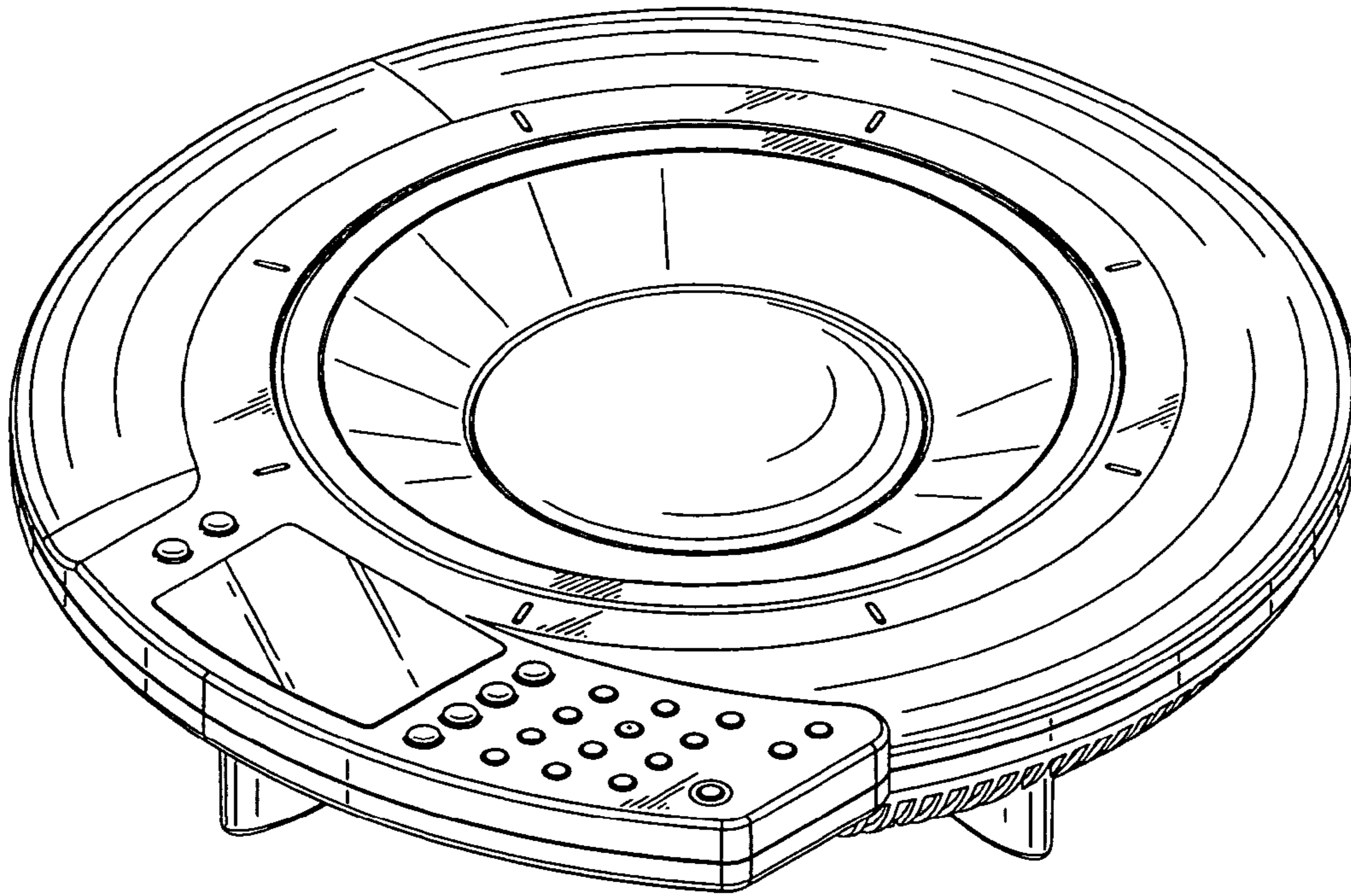


FIG. 1

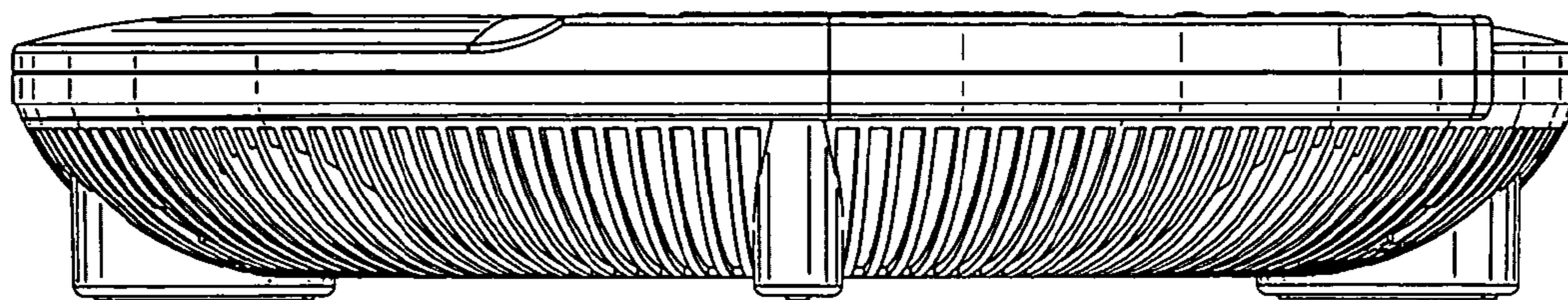


FIG. 2

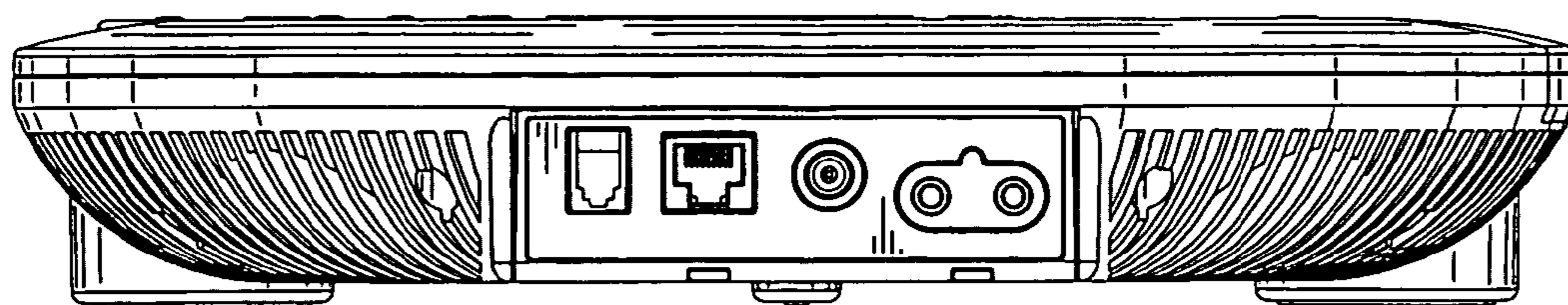


FIG. 3

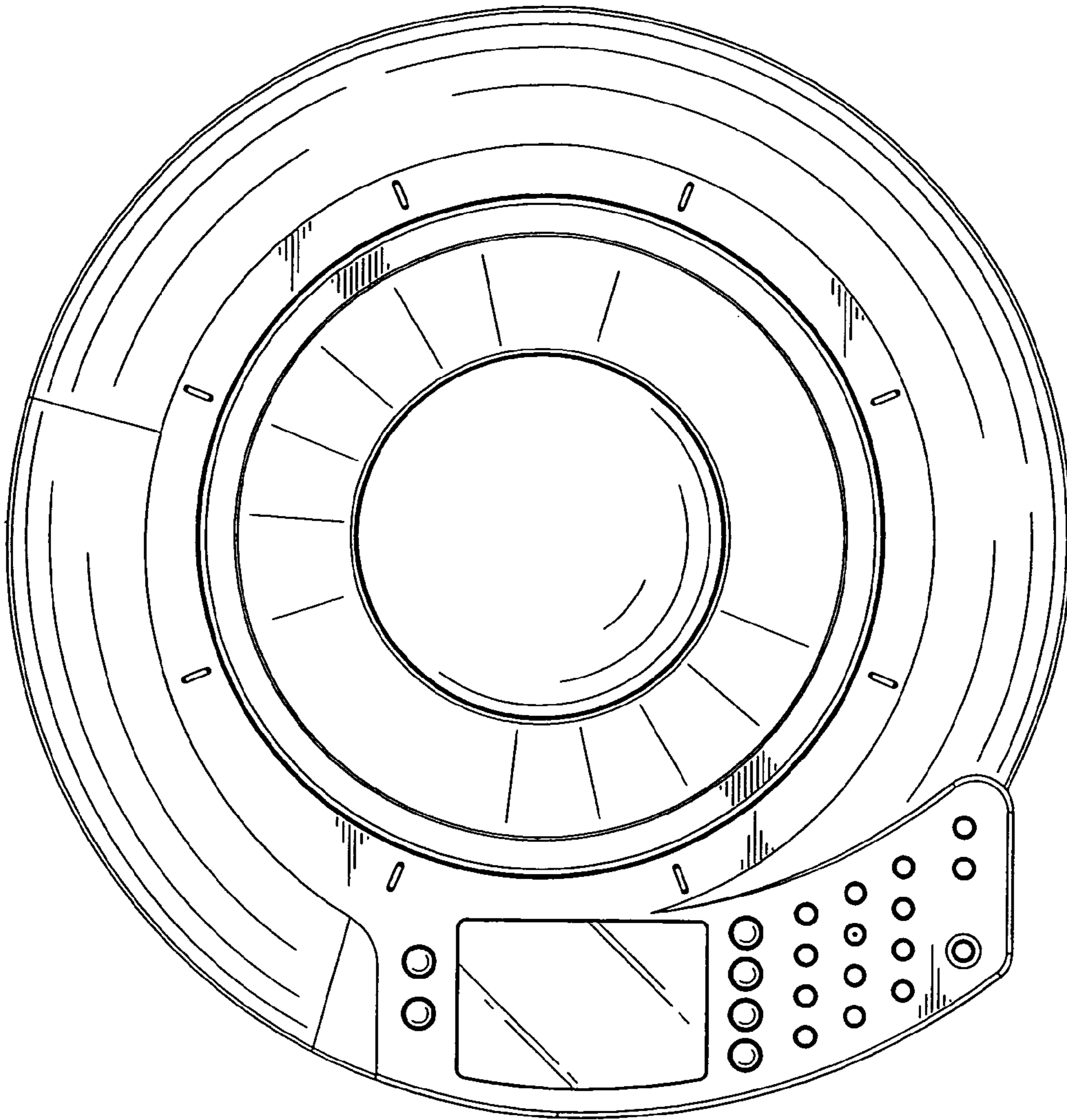


FIG. 4

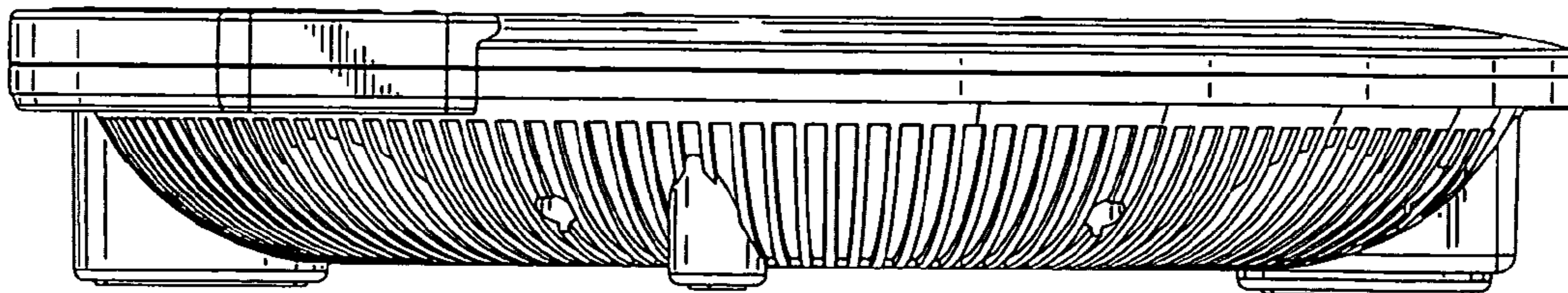


FIG. 5

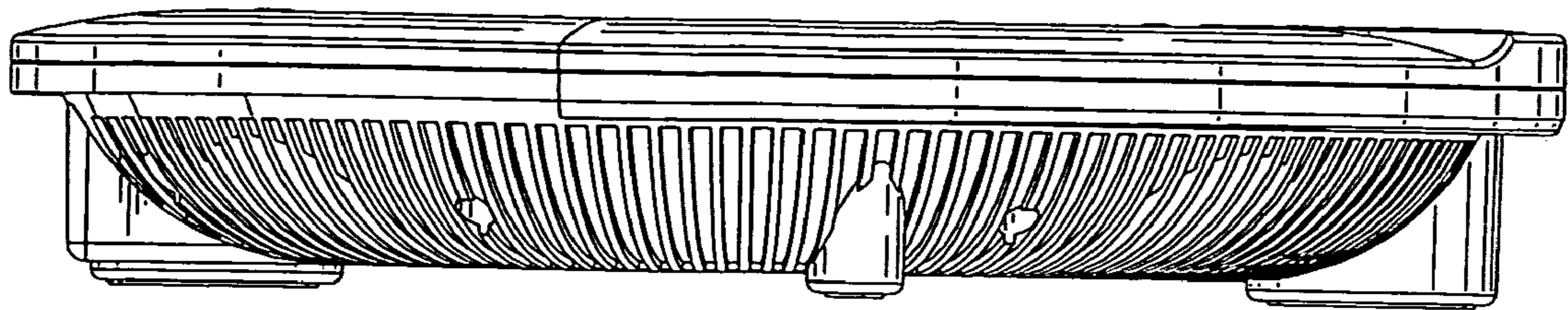


FIG. 6

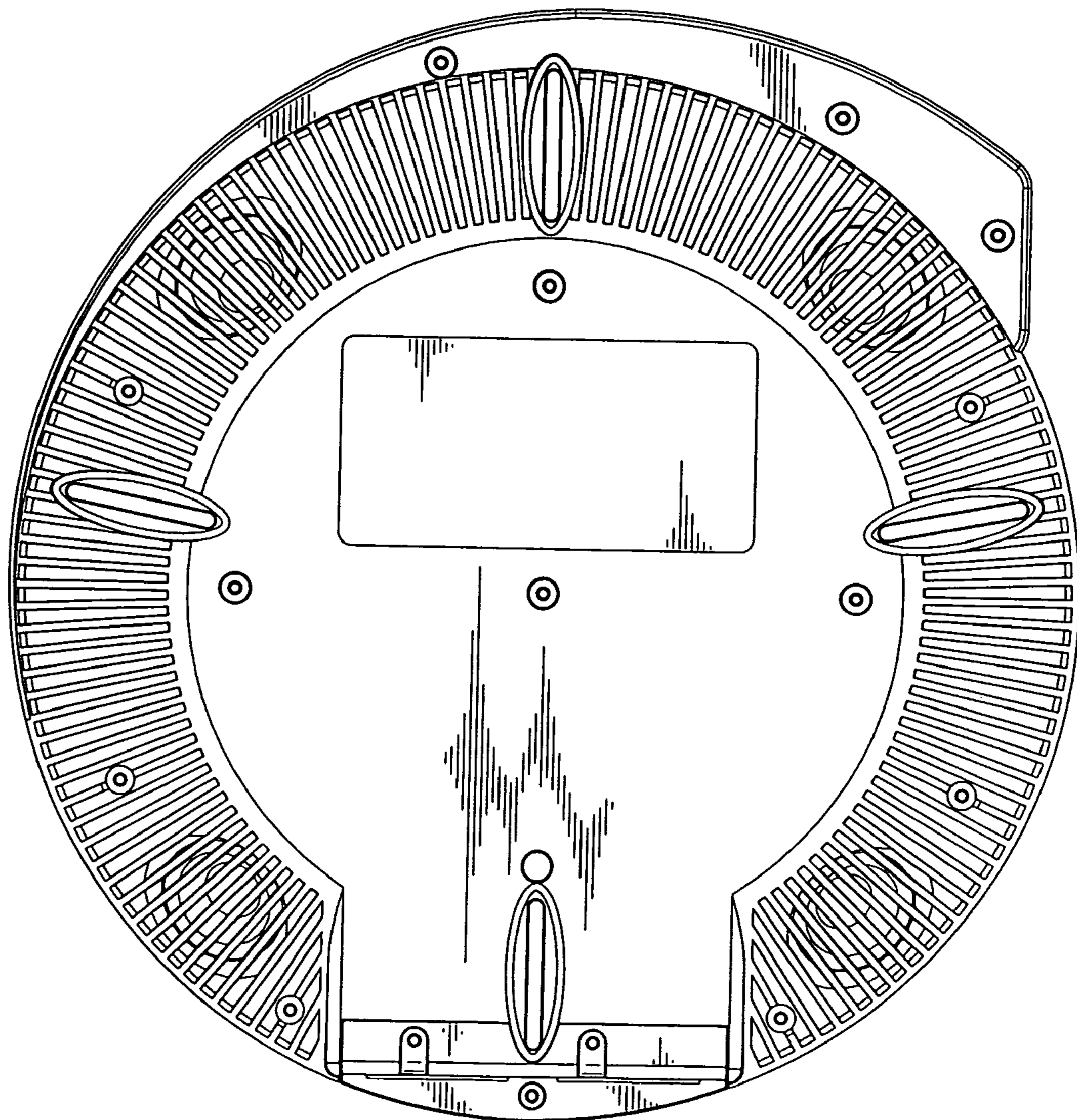


FIG. 7