



US00D557244S

(12) **United States Design Patent**  
**Lee et al.**

(10) **Patent No.:** **US D557,244 S**  
(45) **Date of Patent:** **\*\* Dec. 11, 2007**

(54) **MOBILE PHONE**

2005/0026656 A1\* 2/2005 Park et al. .... 455/557

(75) Inventors: **Seung Il Lee**, Seoul (KR); **Bo Ra Choi**, Seoul (KR); **Youn Chan Bae**, Seoul (KR); **Seon Woo Yoo**, Seoul (KR)

**OTHER PUBLICATIONS**

Samsung i300, announced 1Q 2005 (online), retrieved Jun. 20, 2007 from Internet URL www.gsmarena.com.\*  
Sony Ericsson W900, announced Oct. 2005, retrieved Jun. 20, 2007 from Internet URL www.gsmarena.com.\*

(73) Assignee: **LG Electronics Inc.**, Seoul (KR)

\* cited by examiner

(\*\*) Term: **14 Years**

*Primary Examiner*—Terry A Wallace

(21) Appl. No.: **29/269,976**

(74) *Attorney, Agent, or Firm*—Birch, Stewart, Kolasch & Birch, LLP

(22) Filed: **Dec. 13, 2006**

(57) **CLAIM**

(30) **Foreign Application Priority Data**

The ornamental design for a mobile phone, as shown and described.

Jun. 14, 2006 (KR) ..... 30-2006-0022212

(51) **LOC (8) Cl.** ..... **14-03**

**DESCRIPTION**

(52) **U.S. Cl.** ..... **D14/138**

(58) **Field of Classification Search** ..... D14/137,  
D14/138, 144, 147, 148, 247, 248, 341–347,  
D14/496; 455/550.1–90.3; D21/329, 331,  
D21/333

FIG. 1 is a perspective view of the mobile phone showing our new design;

See application file for complete search history.

FIG. 2 is a front view thereof;

(56) **References Cited**

**U.S. PATENT DOCUMENTS**

- D464,963 S \* 10/2002 Nishida ..... D14/346
- D493,436 S \* 7/2004 Okada et al. .... D14/138
- D493,440 S \* 7/2004 Chou et al. .... D14/138
- D497,160 S \* 10/2004 Nagao et al. .... D14/346
- D500,992 S \* 1/2005 Shen et al. .... D14/138
- 2002/0102946 A1\* 8/2002 SanGiovanni ..... 455/90
- 2003/0064688 A1\* 4/2003 Mizuta et al. .... 455/90
- 2004/0242288 A1\* 12/2004 Balle et al. .... 455/575.1

FIG. 3 is a rear view thereof;

FIG. 4 is a left side view thereof;

FIG. 5 is a right side view thereof;

FIG. 6 is a top plan view thereof;

FIG. 7 is a bottom plan view thereof;

FIG. 8 is a front view thereof in a condition that the inner key pad is slided downward and exposed; and,

FIG. 9 is a rear view of FIG. 8 in a condition that the display of upper body is swiveled at an angle of 180 degrees.

**1 Claim, 8 Drawing Sheets**

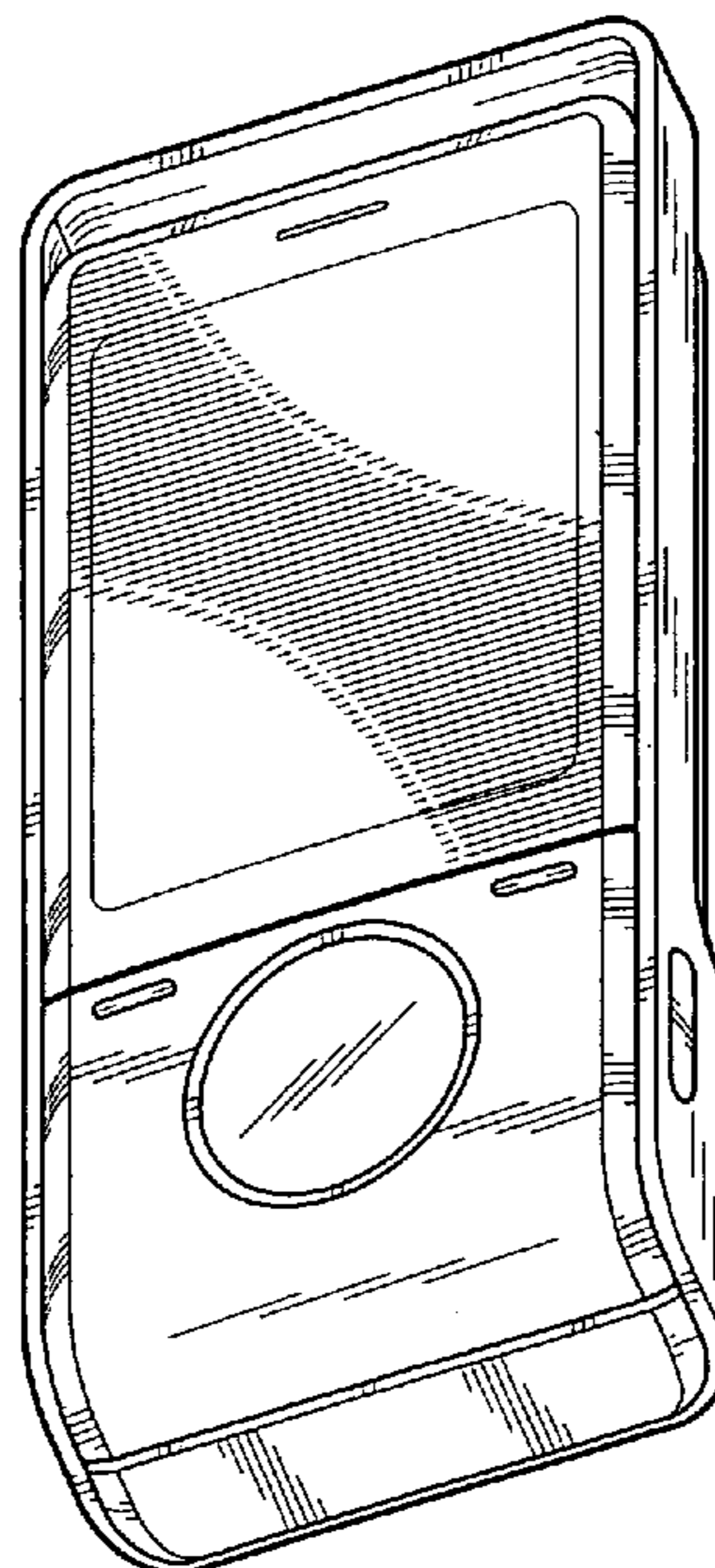


FIG. 1

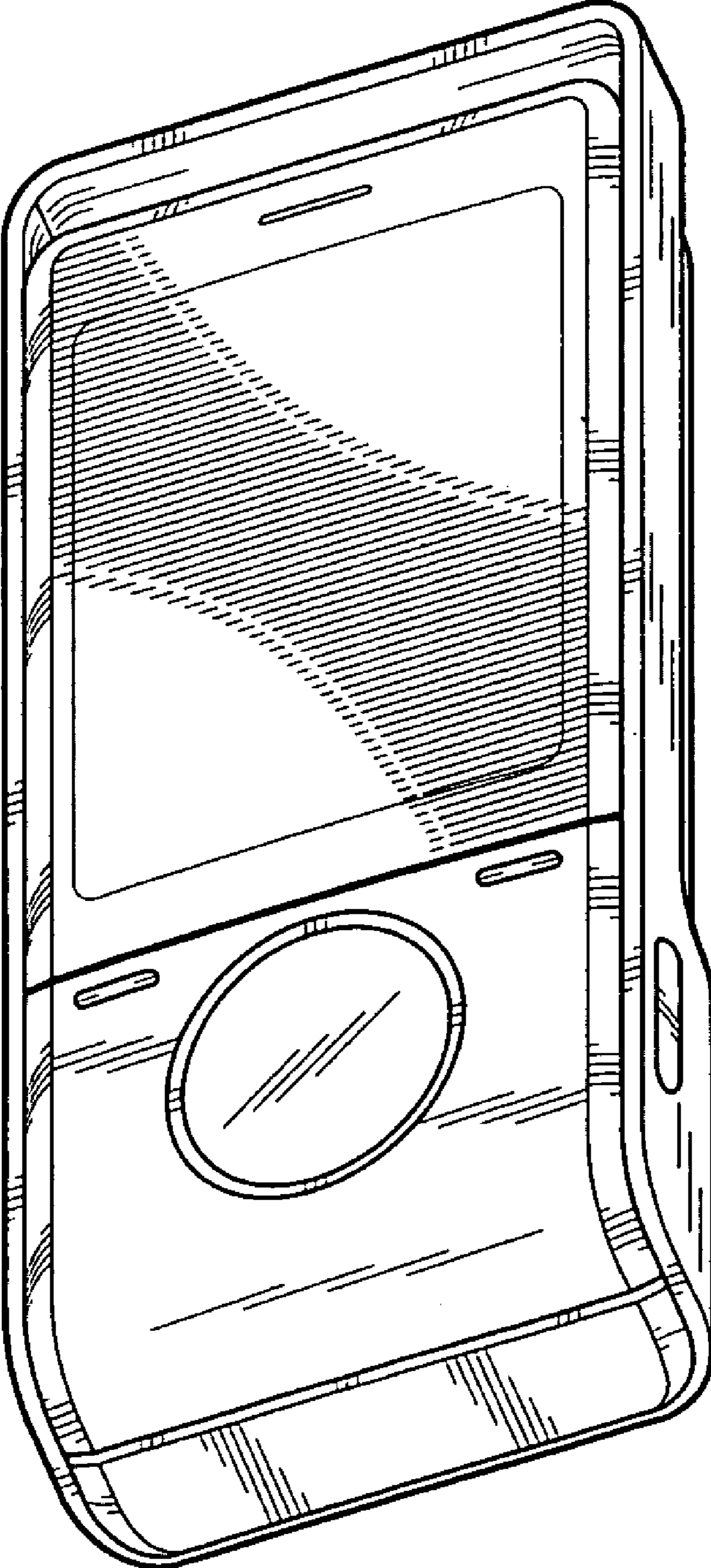


FIG. 2

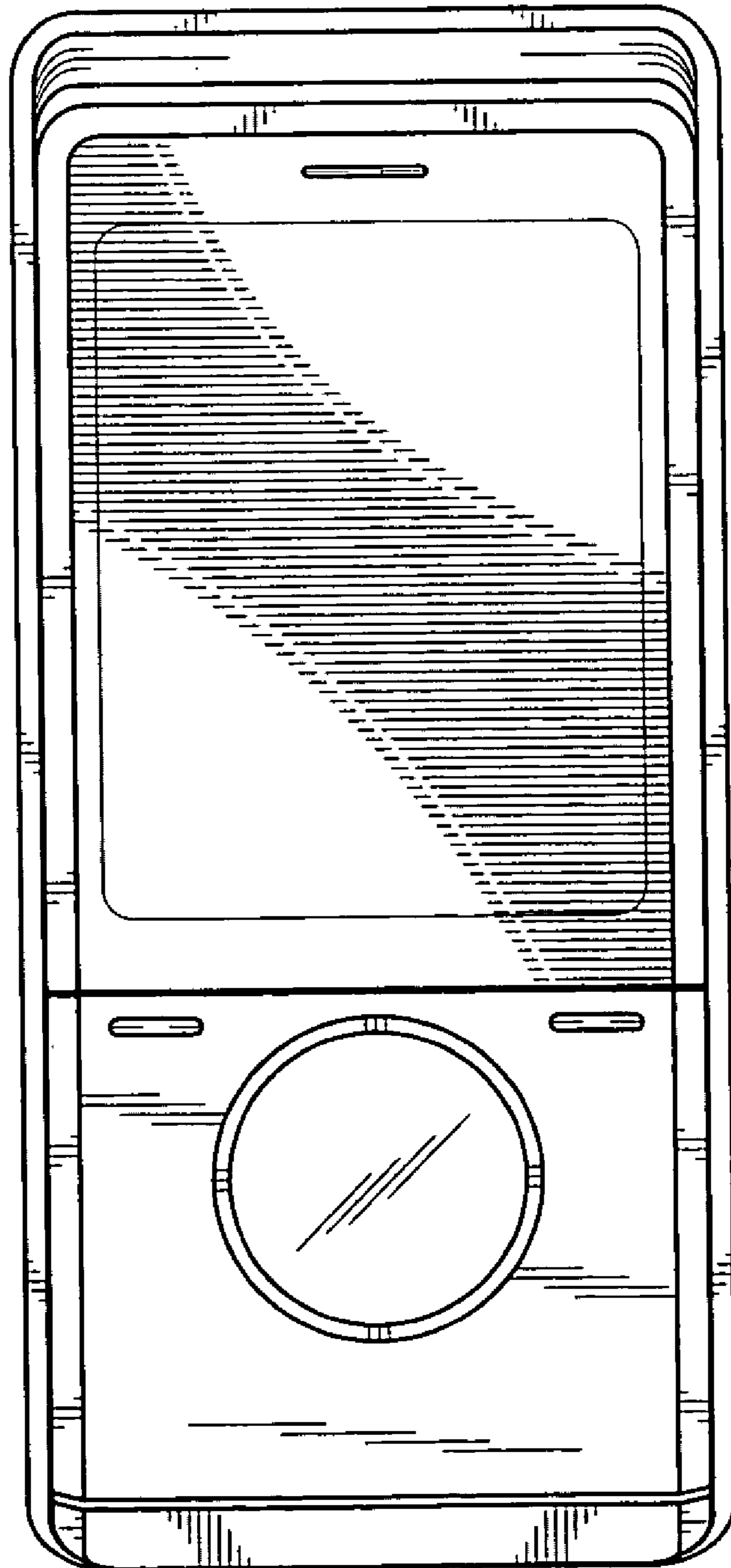


FIG. 3

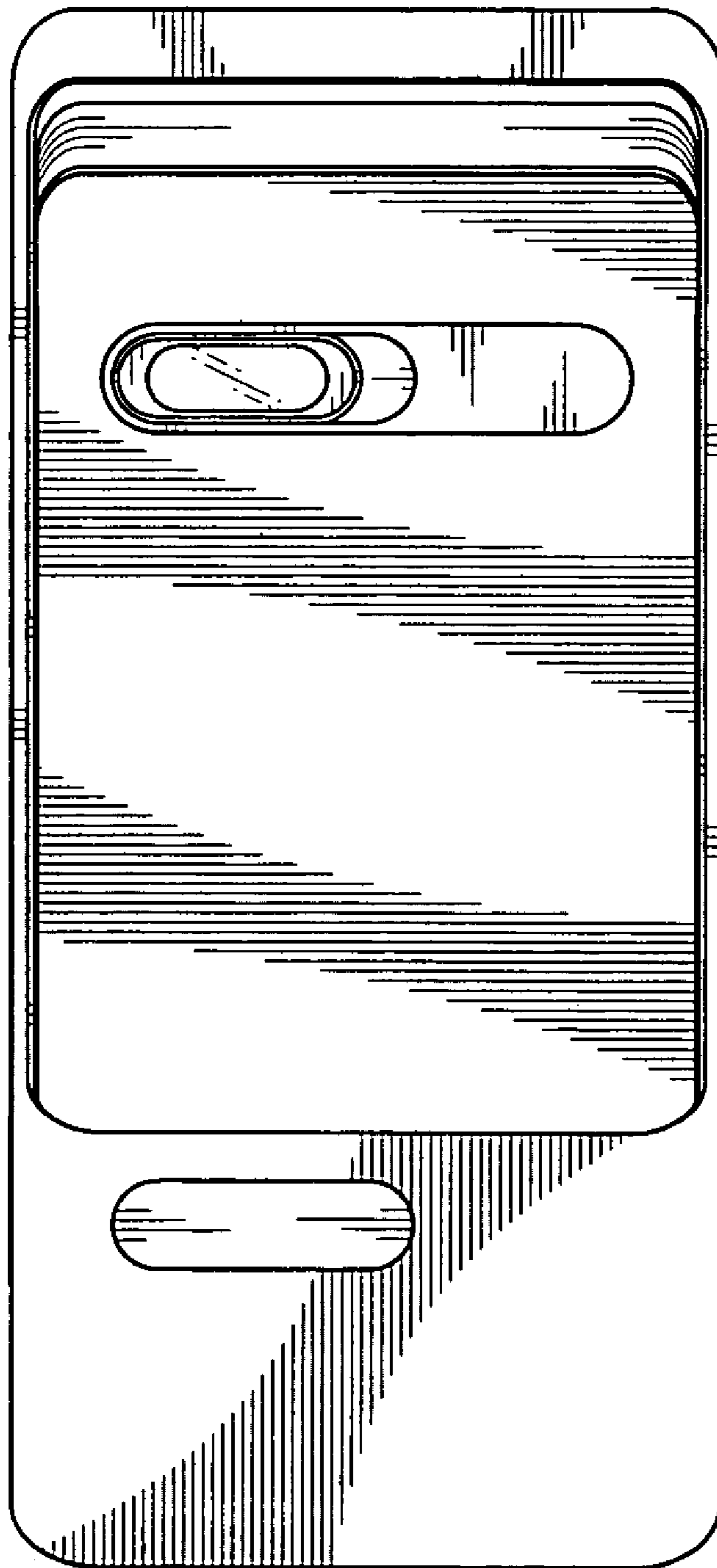


FIG. 4

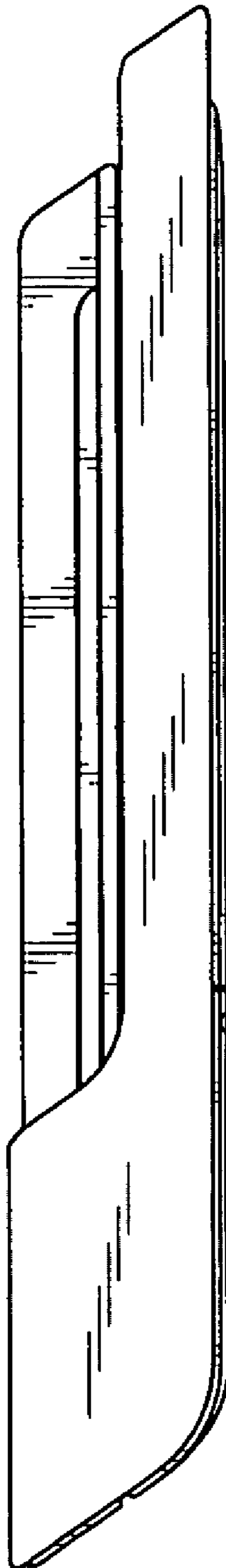


FIG. 5



FIG. 6

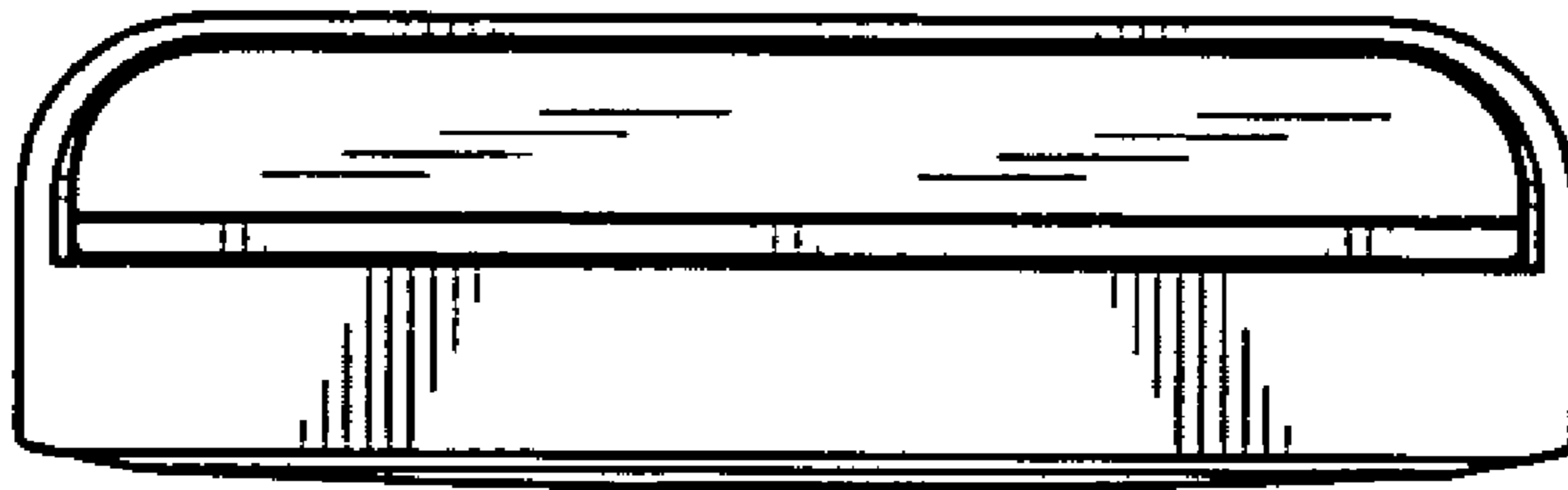


FIG. 7

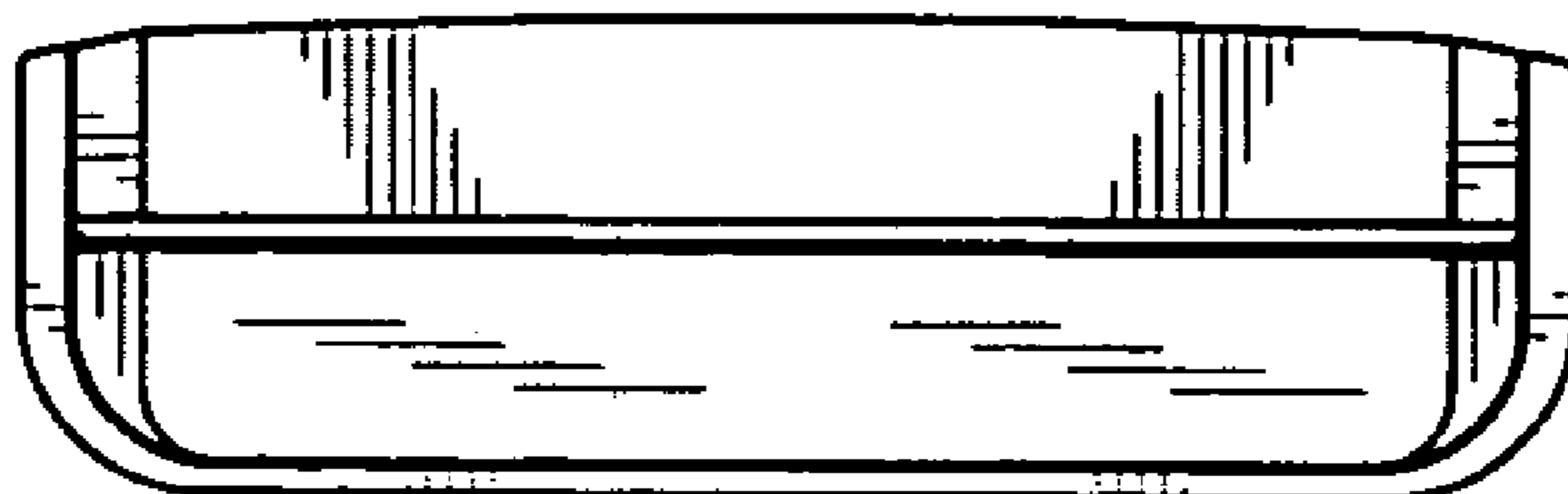


FIG. 8

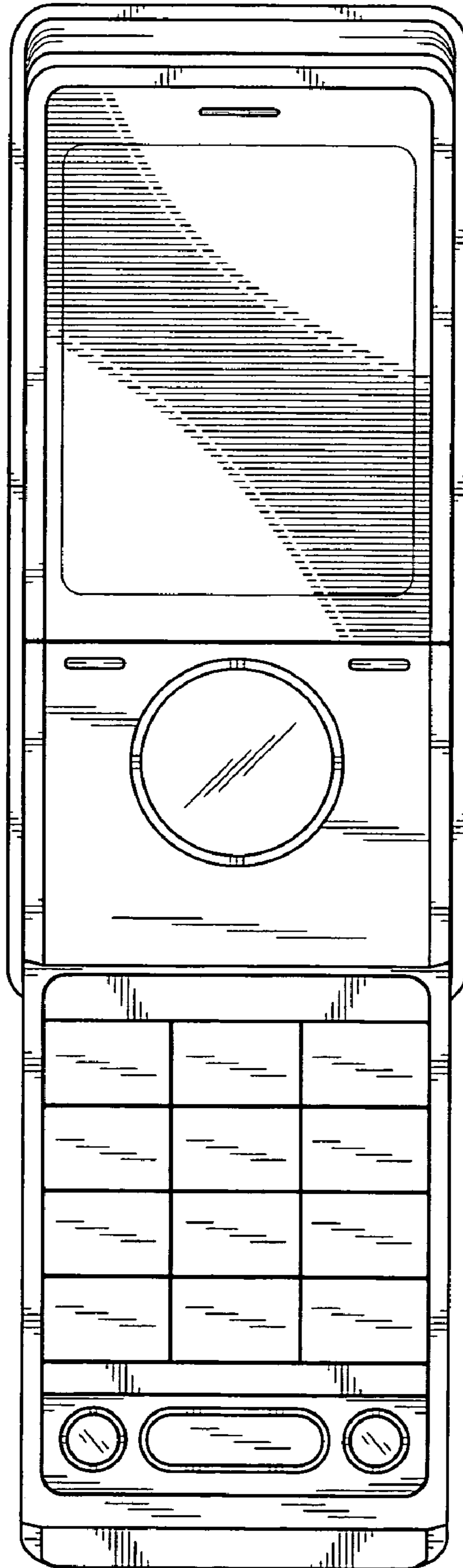




FIG. 9

