



US00D557243S

(12) **United States Design Patent**
Kim et al.

(10) **Patent No.:** **US D557,243 S**

(45) **Date of Patent:** **** Dec. 11, 2007**

(54) **MOBILE PHONE**

(75) Inventors: **Woon Hyoung Kim**, Seoul (KR); **Jong Ho Kim**, Seoul (KR); **Won Seok Choi**, Gyeonggi-do (KR); **Young Ho Kim**, Seoul (KR)

(73) Assignee: **LG Electronics Inc.**, Seoul (KR)

(**) Term: **14 Years**

(21) Appl. No.: **29/269,561**

(22) Filed: **Dec. 4, 2006**

(51) **LOC (8) Cl.** **14-03**

(52) **U.S. Cl.** **D14/138**

(58) **Field of Classification Search** D14/137,
D14/138, 144, 147, 148, 247, 248, 341-347,
D14/496; 455/550.1-90.3; D21/329, 331,
D21/333

See application file for complete search history.

(56) **References Cited**

U.S. PATENT DOCUMENTS

D464,963 S *	10/2002	Nishida	D14/346
D479,514 S *	9/2003	Chan	D14/138
D489,052 S *	4/2004	Shiraki et al.	D14/156
D492,276 S *	6/2004	Walliser et al.	D14/138
D497,160 S *	10/2004	Nagao et al.	D14/346
D500,992 S *	1/2005	Shen et al.	D14/138
D509,206 S *	9/2005	Jang	D14/138
D511,342 S *	11/2005	Chien	D14/346
2002/0102946 A1 *	8/2002	SanGiovanni	455/90

2003/0064688 A1 *	4/2003	Mizuta et al.	455/90
2004/0242288 A1 *	12/2004	Balle et al.	455/575.1

OTHER PUBLICATIONS

Sony Ericsson W900, announced Oct. 2005 (online), retrieved Jun. 20, 2007, from Internet URL www.gsmarena.com.*

* cited by examiner

Primary Examiner—Terry A Wallace

(74) *Attorney, Agent, or Firm*—Birch, Stewart, Kolasch & Birch, LLP

(57) **CLAIM**

The ornamental design for a mobile phone, as shown and described.

DESCRIPTION

FIG. 1 is a perspective view of a mobile phone showing our new design;

FIG. 2 is a front view thereof;

FIG. 3 is a rear view thereof;

FIG. 4 is a left side view thereof;

FIG. 5 is a right side view thereof;

FIG. 6 is a top plan view thereof;

FIG. 7 is a bottom plan view thereof; and,

FIG. 8 is a front view thereof in a condition that the upper body thereof is slided upward and the inner key pad is exposed.

1 Claim, 7 Drawing Sheets

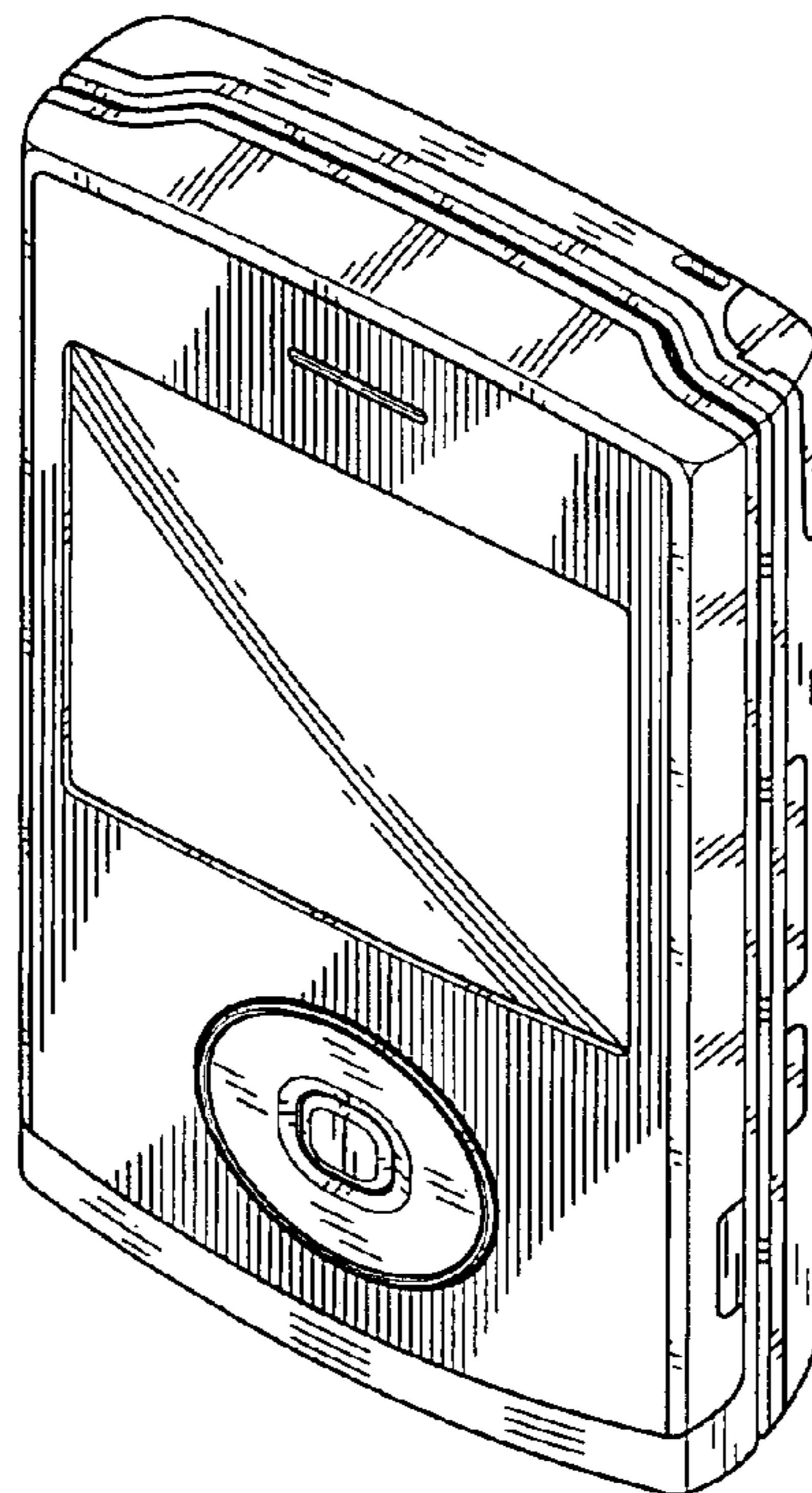


FIG. 1

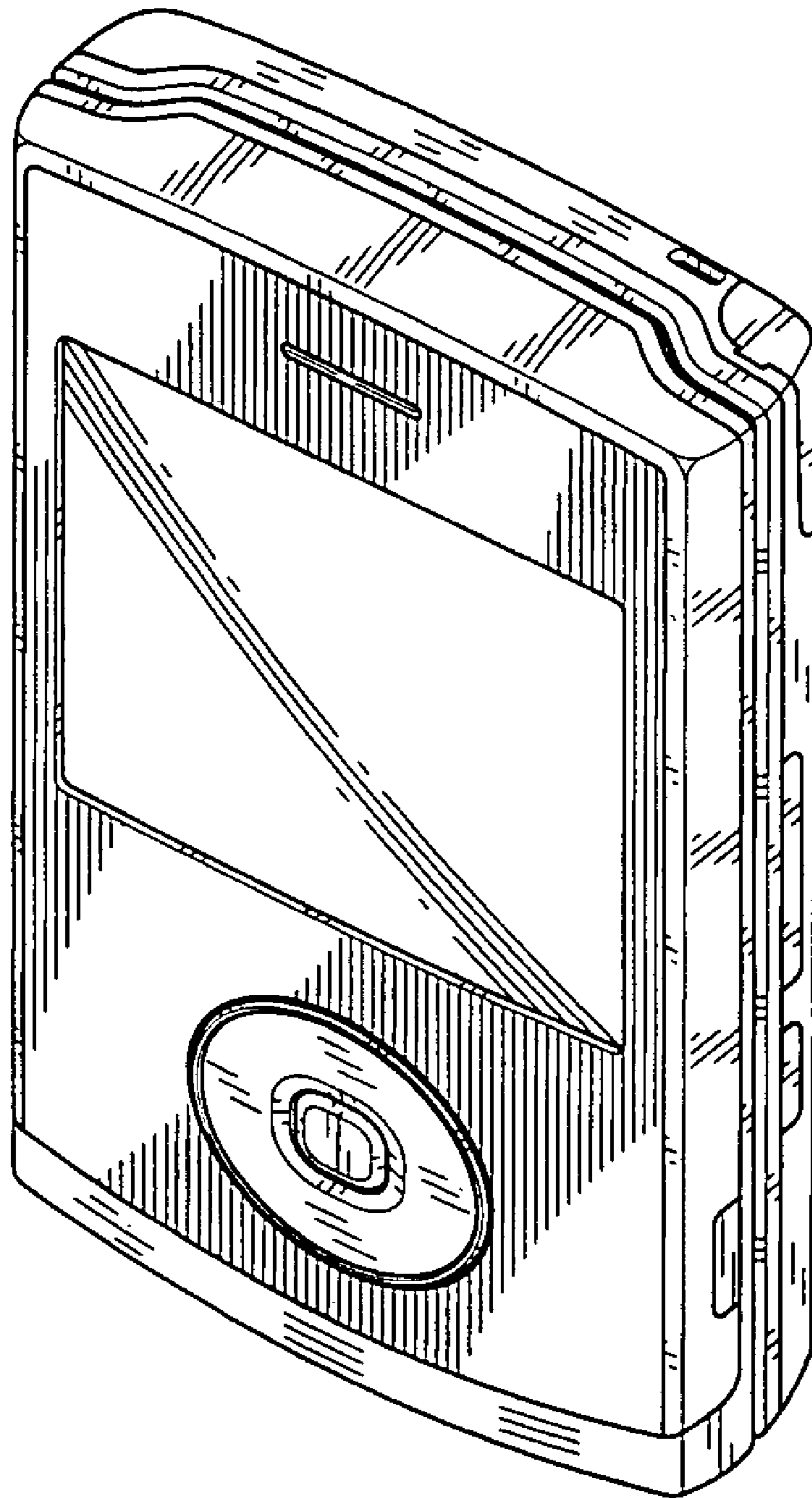


FIG. 2

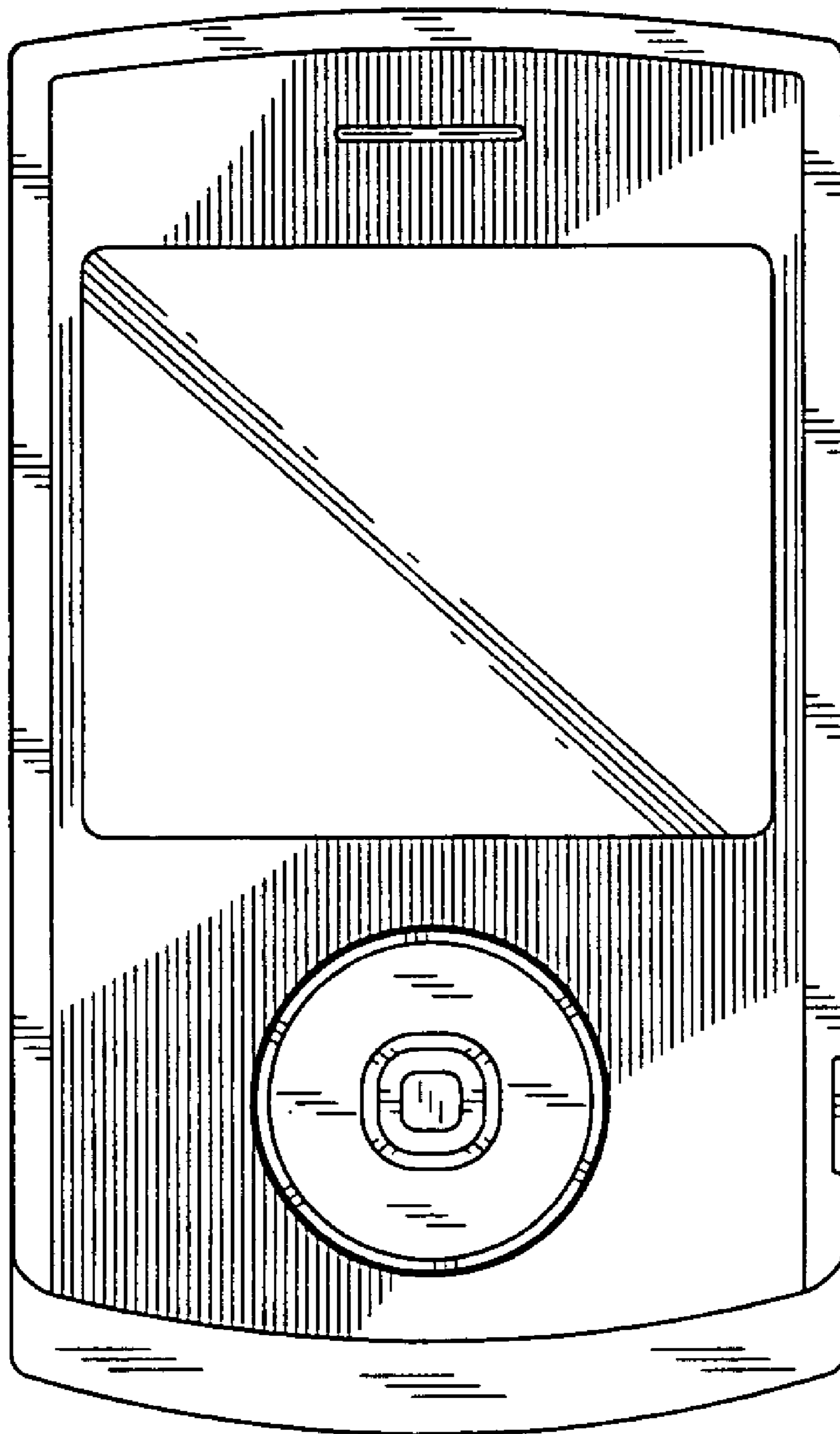


FIG. 3

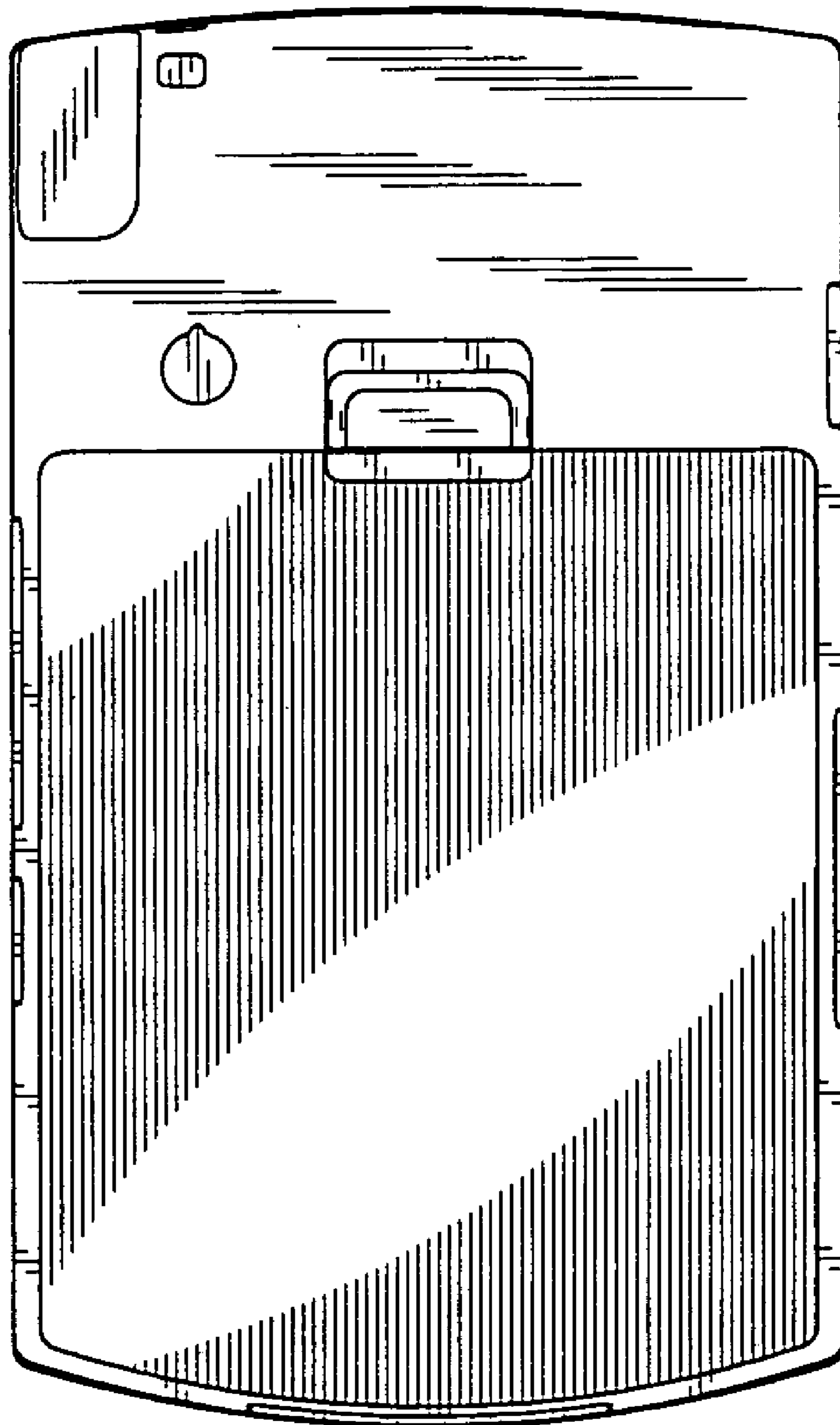


FIG. 4

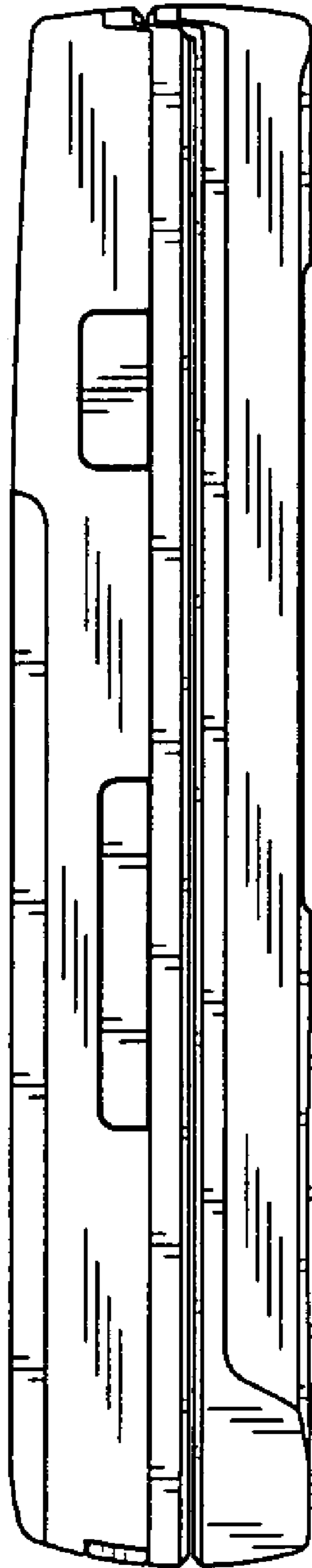


FIG. 5

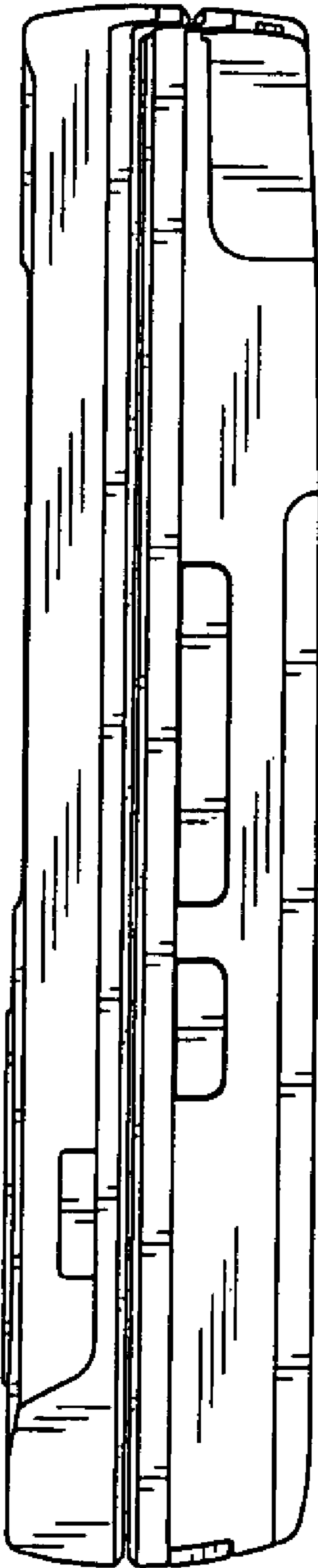


FIG. 6



FIG. 7

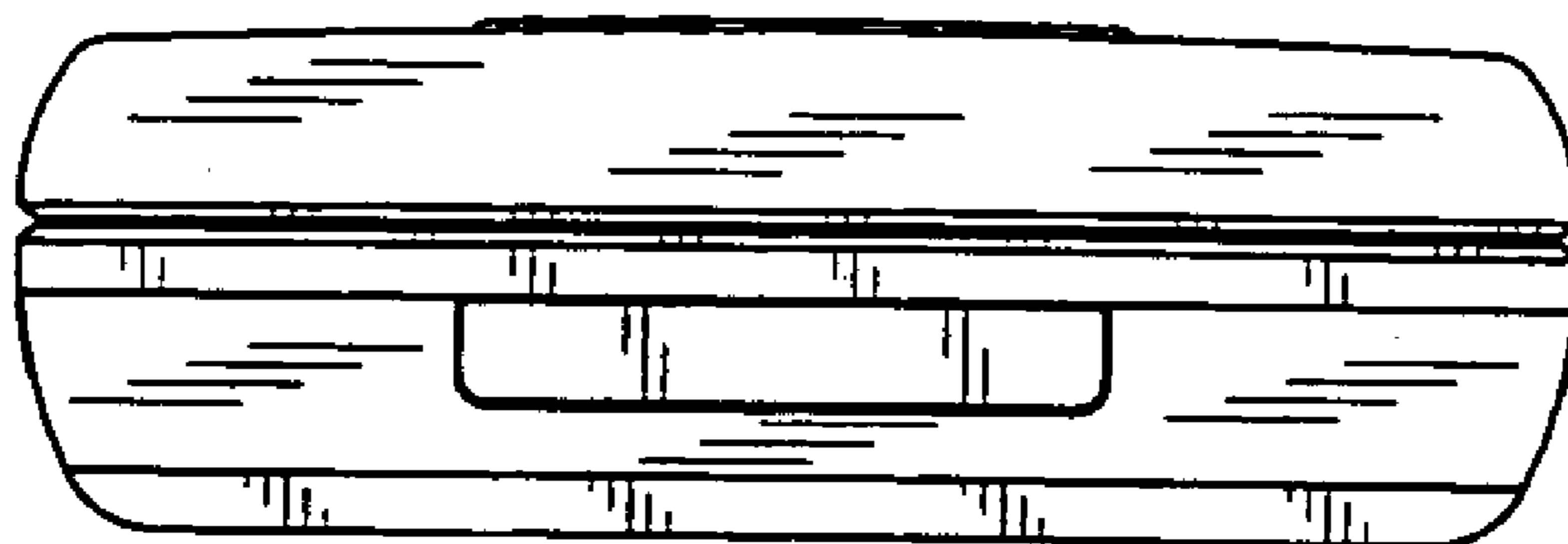


FIG. 8

