



US00D557241S

(12) **United States Design Patent**  
**Lee**

(10) **Patent No.: US D557,241 S**  
(45) **Date of Patent: \*\* Dec. 11, 2007**

(54) **CELLULAR PHONE**

(75) Inventor: **Young-Keun Lee**, Seoul (KR)

(73) Assignee: **Samsung Electronics Co., Ltd.**,  
Suwon-Si (KR)

(\*\*) Term: **14 Years**

(21) Appl. No.: **29/264,913**

(22) Filed: **Aug. 22, 2006**

(51) **LOC (8) Cl.** ..... **14-03**

(52) **U.S. Cl.** ..... **D14/138**

(58) **Field of Classification Search** ..... D14/137,  
D14/138, 147, 218, 341-347, 496; 455/90.3,  
455/556.1, 556.2, 575.1, 575.3, 575.4; 379/433.01-433.13;  
361/814; 348/14.02

See application file for complete search history.

(56) **References Cited**

**U.S. PATENT DOCUMENTS**

D495,695 S *	9/2004	Yugaya	.....	D14/346
D526,303 S *	8/2006	Kim et al.	.....	D14/138
D527,367 S *	8/2006	Yun et al.	.....	D14/138
D527,368 S *	8/2006	Kim et al.	.....	D14/138
D528,532 S *	9/2006	Dimitriadis et al.	.....	D14/138
D529,887 S *	10/2006	Chung et al.	.....	D14/138
D531,608 S *	11/2006	Kim et al.	.....	D14/138
D531,610 S *	11/2006	Kim et al.	.....	D14/138
D531,611 S *	11/2006	Kim et al.	.....	D14/138
D531,977 S *	11/2006	Kim et al.	.....	D14/138
D534,516 S *	1/2007	Lheem	.....	D14/138
D535,968 S *	1/2007	Lee	.....	D14/138
D536,691 S *	2/2007	Park	.....	D14/138
D537,810 S *	3/2007	Lee	.....	D14/156
D542,771 S *	5/2007	Cho et al.	.....	D14/138
2005/0090298 A1 *	4/2005	Park et al.	.....	455/575.4
2005/0255897 A1 *	11/2005	Lee et al.	.....	455/575.4
2006/0009255 A1 *	1/2006	Vuolteenaho	.....	455/556.1
2006/0098813 A1 *	5/2006	Takamori et al.	.....	379/433.13

2007/0032278 A1\* 2/2007 Lee et al. .... 455/575.4

**FOREIGN PATENT DOCUMENTS**

WO DM/067109 \* 9/2005

**OTHER PUBLICATIONS**

Pantech PG-3900, announced 2<sup>nd</sup> quarter 2006, [online], [retrieved on Feb. 20, 2007]. Retrieved from Internet ,<URL: http://www.gsmarena.com>.\*

LG KS10, announced Feb. 2007, [online], [retrieved on Feb. 20, 2007]. Retrieved from Internet ,<URL: http://www.gsmarena.com>.\*

\* cited by examiner

*Primary Examiner*—Jeffrey Asch

*Assistant Examiner*—Bridget L Eland

(74) *Attorney, Agent, or Firm*—Staas & Halsey LLP

(57) **CLAIM**

The ornamental design for a cellular phone, as shown and described.

**DESCRIPTION**

FIG. 1 is a perspective view of a cellular phone according to my new design;

FIG. 2 is a front elevational view thereof;

FIG. 3 is a rear elevational view thereof;

FIG. 4 is a left side elevational view thereof;

FIG. 5 is a right side elevational view thereof;

FIG. 6 is a top plan view thereof;

FIG. 7 is a bottom plan view thereof; and,

FIG. 8 is a perspective view of the cellular phone according to my new design with its front slid up exposing its keypad.

The surface(s) or portion(s) of the article not shown in the drawing or described in the specification form(s) no part of the claimed design.

**1 Claim, 7 Drawing Sheets**

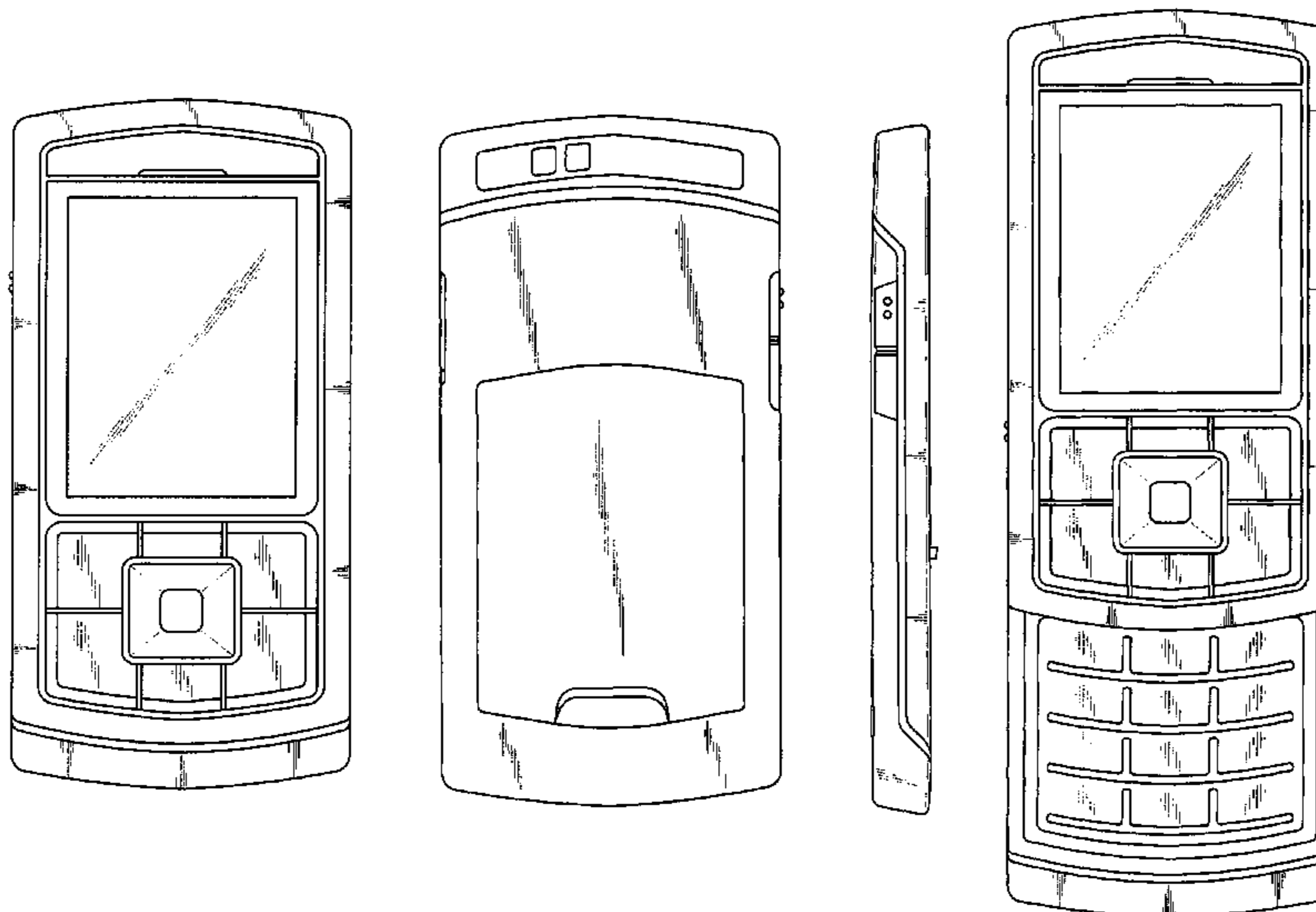


FIG. 1

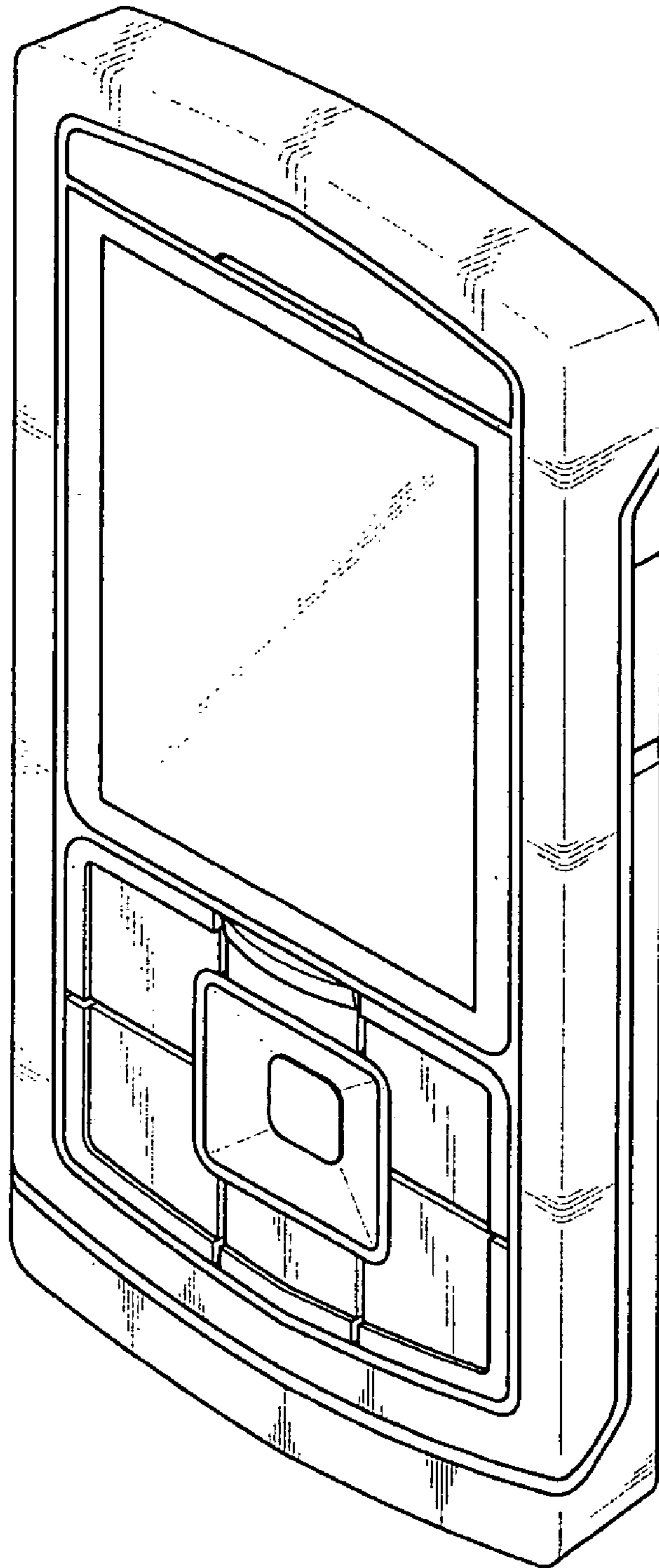


FIG. 2

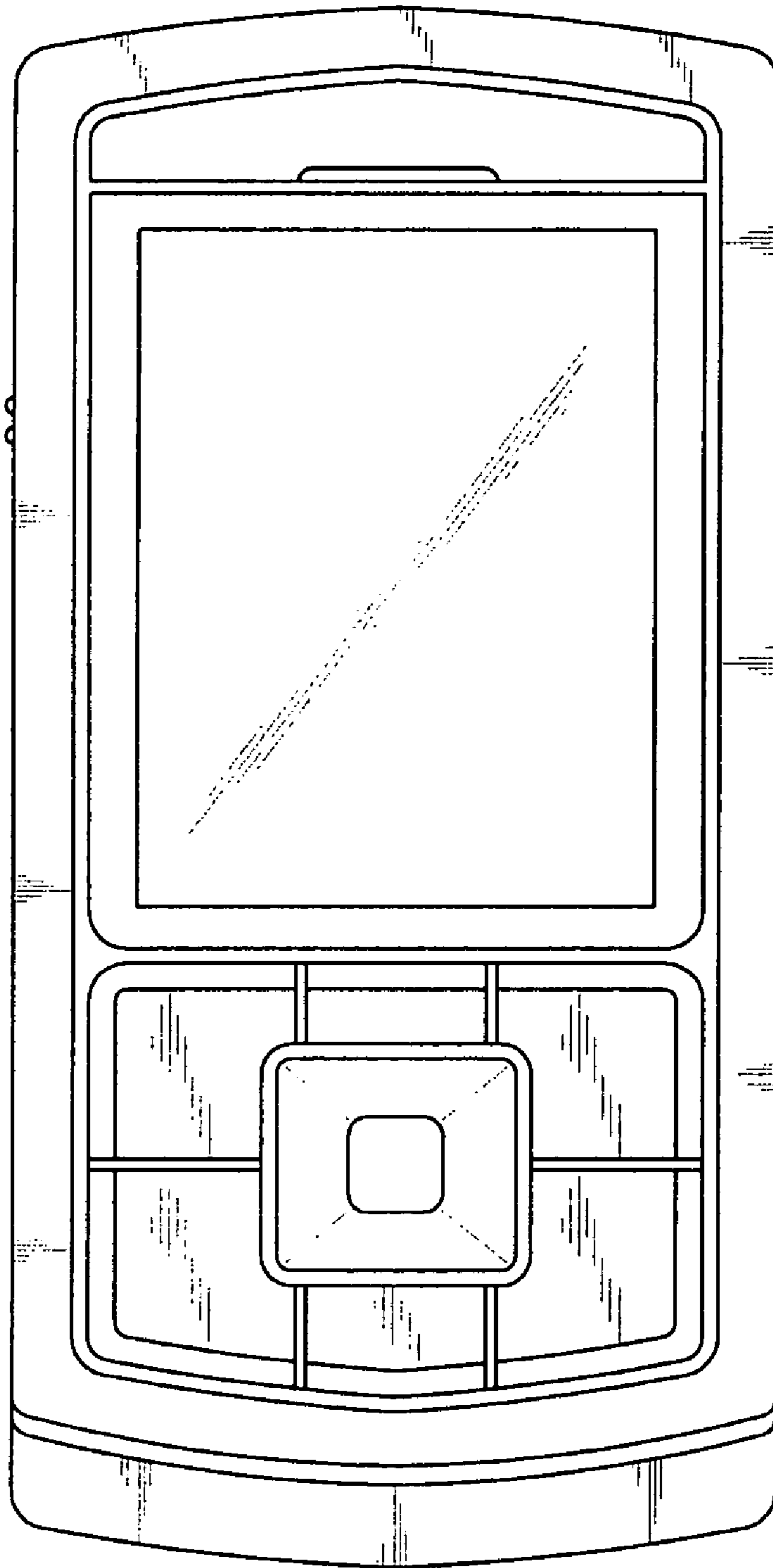


FIG. 3

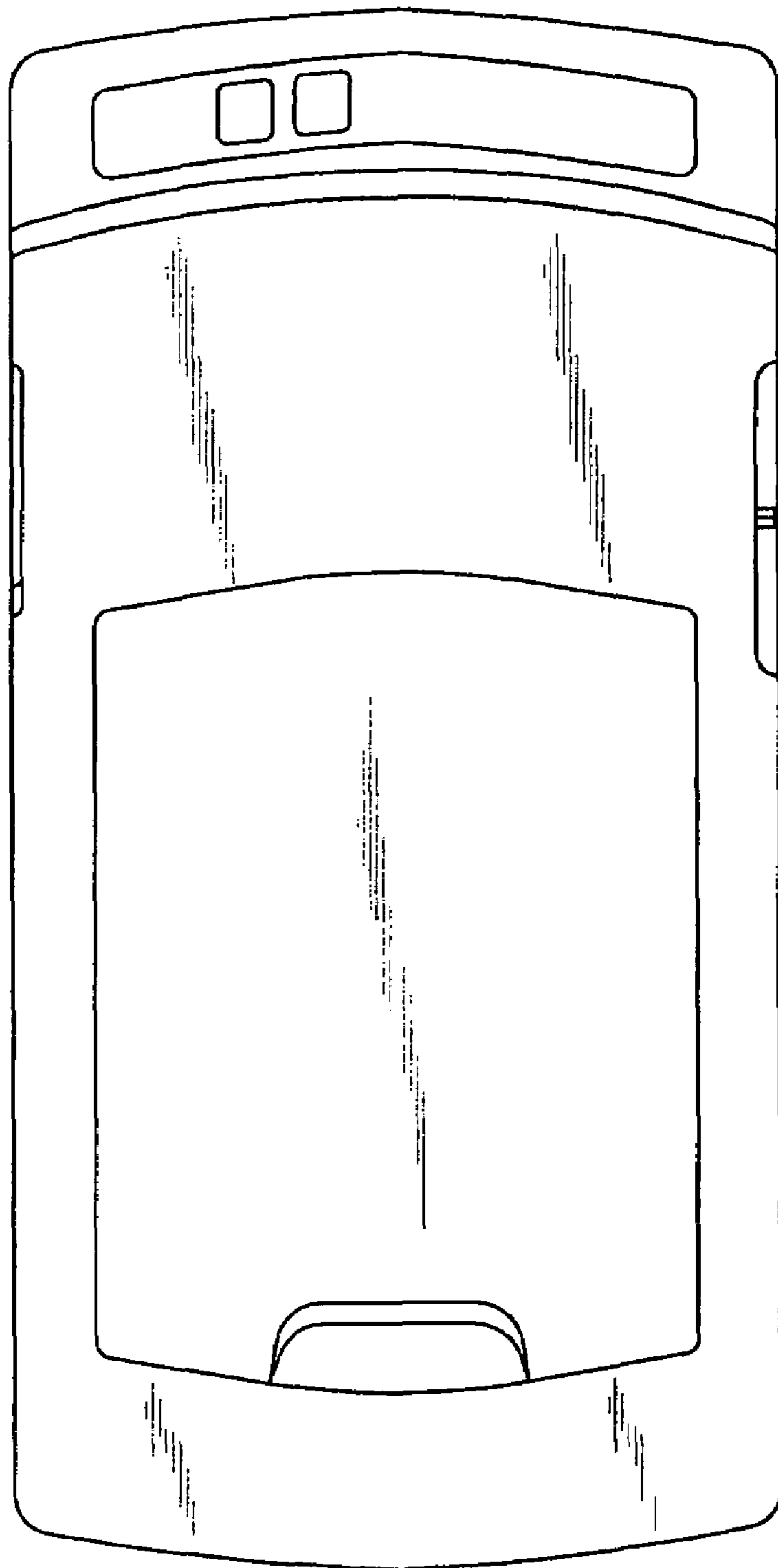


FIG. 4

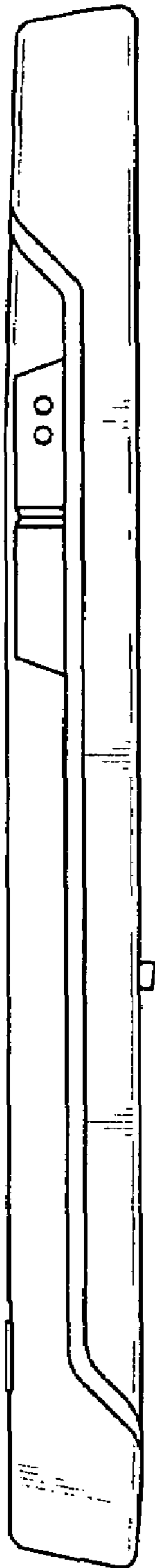


FIG. 5

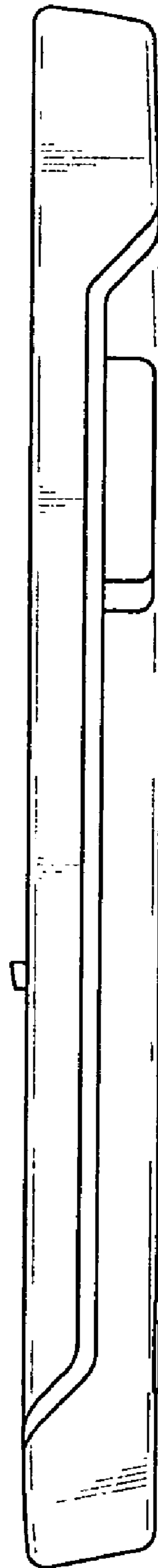


FIG. 6



FIG. 7



FIG. 8

