



US00D557229S

(12) **United States Design Patent**
Moriya et al.

(10) **Patent No.:** **US D557,229 S**

(45) **Date of Patent:** **** Dec. 11, 2007**

(54) **DIGITAL VIDEO DISC RECORDER WITH
HARD DISK RECORDER**

D512,037 S * 11/2005 Huang D14/136
D515,067 S * 2/2006 Yoshitake et al. D14/168

(75) Inventors: **Toshiyuki Moriya**, Tokorozawa (JP);
Minoru Ikeda, Inagi (JP); **Hidenori
Shinohara**, Yokohama (JP)

* cited by examiner

Primary Examiner—Nanda Bondade

(73) Assignee: **Hitachi, Ltd.**, Tokyo (JP)

(74) *Attorney, Agent, or Firm*—Antonelli, Terry, Stout &
Kraus, LLP.

(**) Term: **14 Years**

(57) **CLAIM**

(21) Appl. No.: **29/265,456**

We claim the ornamental design for digital video disc
recorder with hard disk recorder, as shown.

(22) Filed: **Sep. 1, 2006**

(30) **Foreign Application Priority Data**

DESCRIPTION

Mar. 28, 2006 (JP) 2006-007648

FIG. 1 is a front, top and right side perspective view of
digital video disc recorder with hard disk recorder showing
our new design;

(51) **LOC (8) Cl.** **14-01**

FIG. 2 is a front elevational view thereof;

(52) **U.S. Cl.** **D14/136**

FIG. 3 is a rear elevational view thereof;

(58) **Field of Classification Search** D14/135–136,
D14/156–157, 257–258, 198, 188, 496; 360/99.02,
360/99.07; 369/75.11, 75.21, 77.21, 77.11;
720/612, 619, 647, 655; 455/344, 347–351
See application file for complete search history.

FIG. 4 is a right side elevational view thereof;

FIG. 5 is a left side elevational view thereof;

FIG. 6 is a top plan view thereof;

(56) **References Cited**

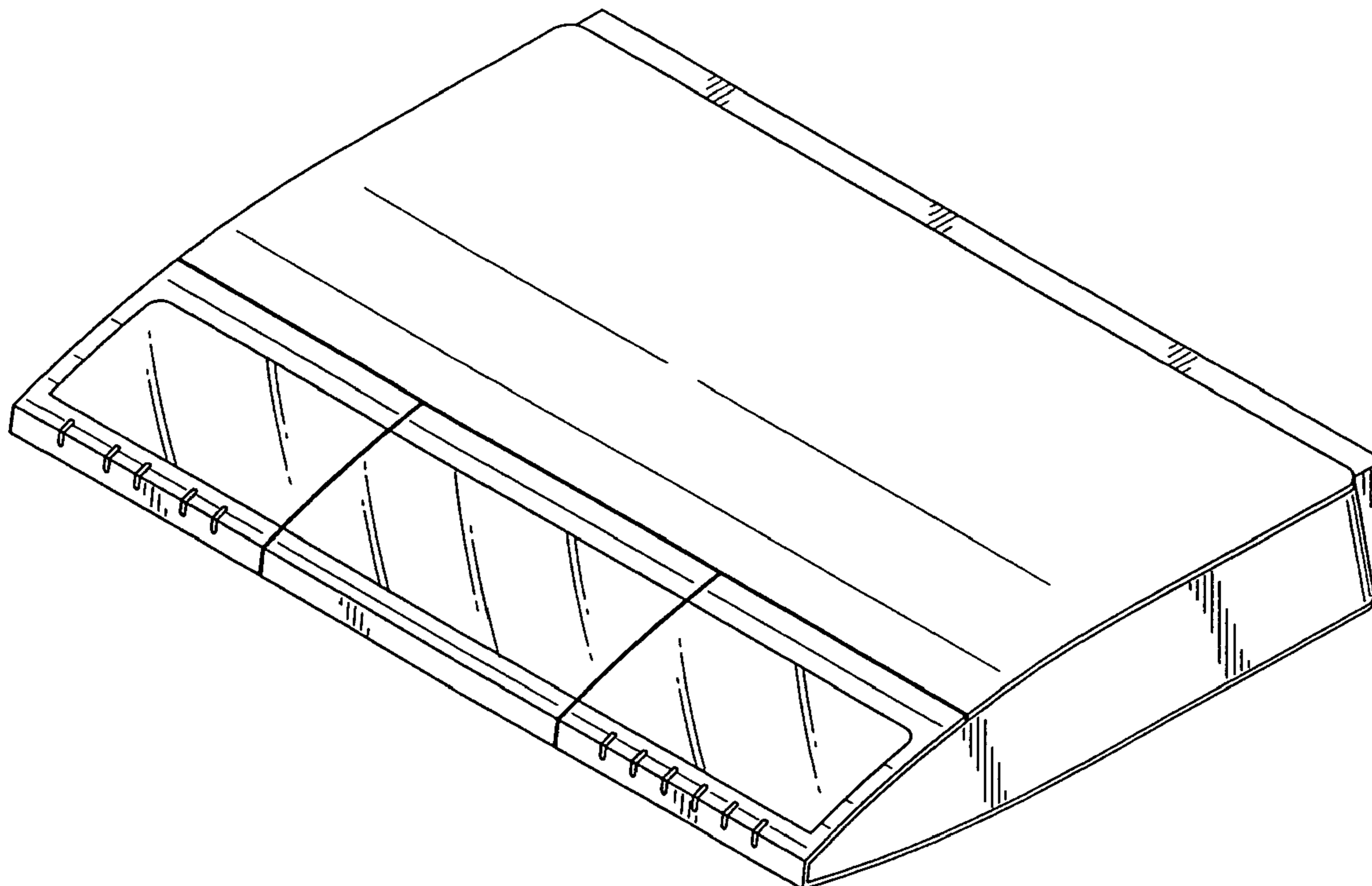
FIG. 7 is a bottom plan view thereof; and,

U.S. PATENT DOCUMENTS

FIG. 8 is a perspective view thereof with the power turned
on, the door open and the tray drawn out.

D270,442 S * 9/1983 O'Leary et al. D14/136
4,509,158 A * 4/1985 Kang 369/77.21

1 Claim, 4 Drawing Sheets



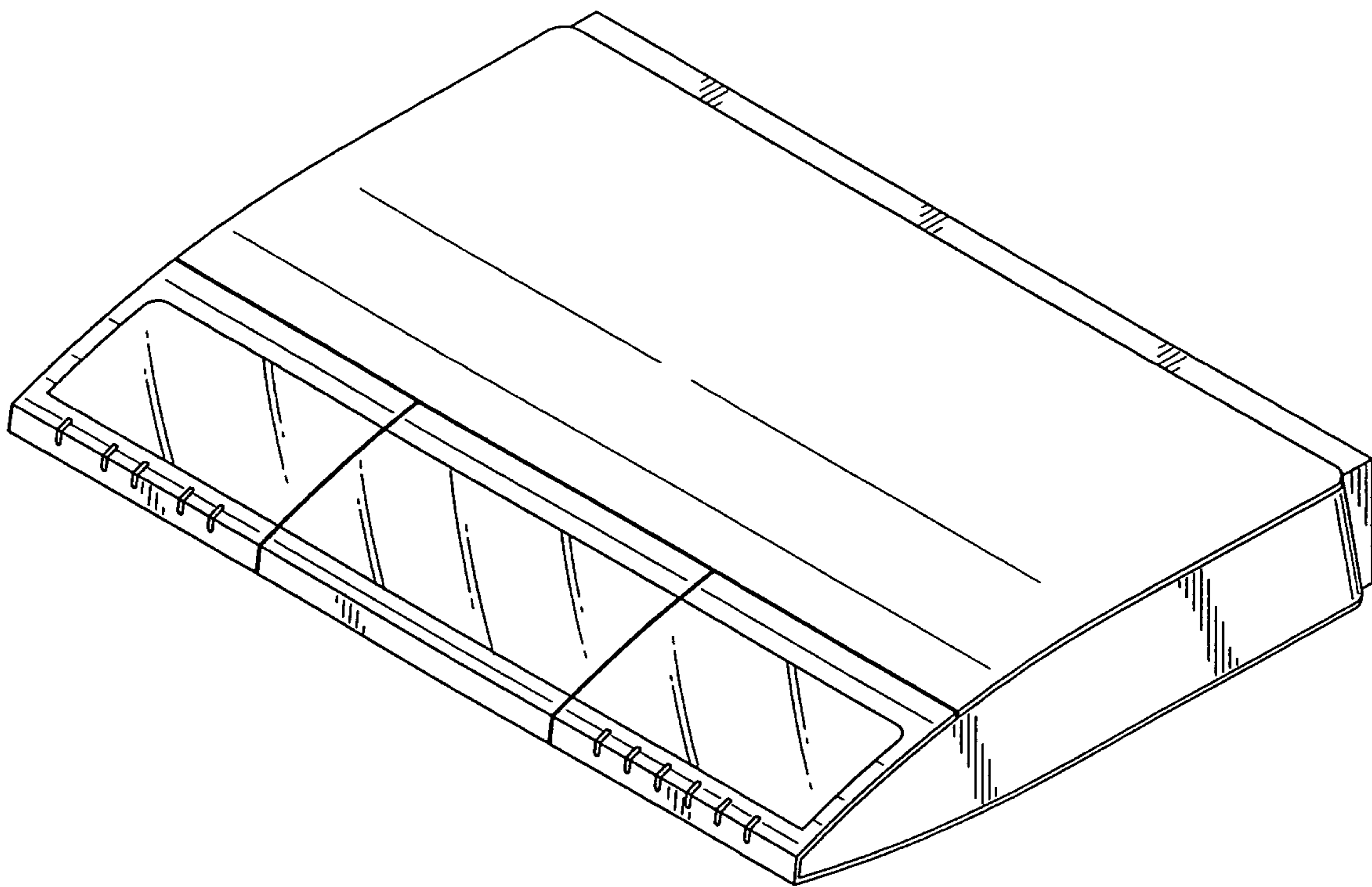


FIG. 1

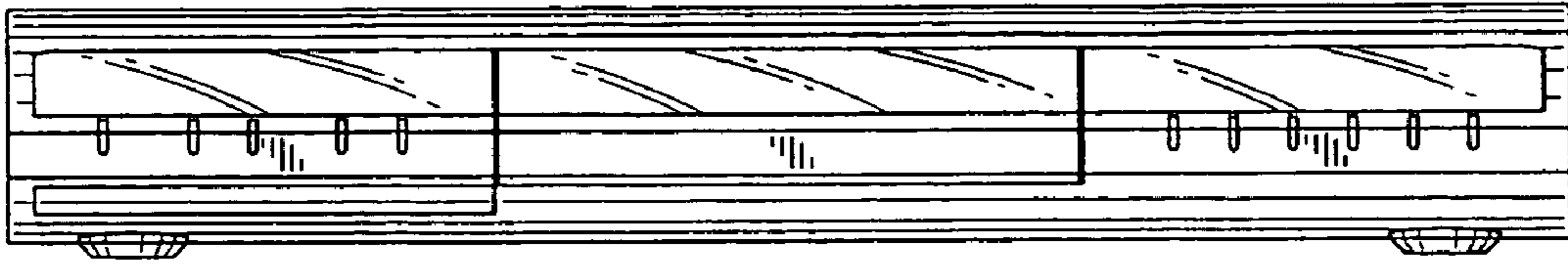


FIG. 2

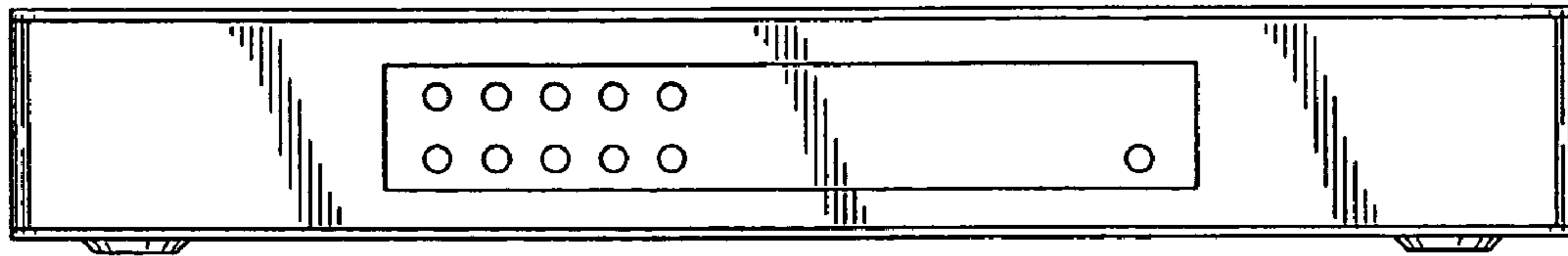


FIG. 3

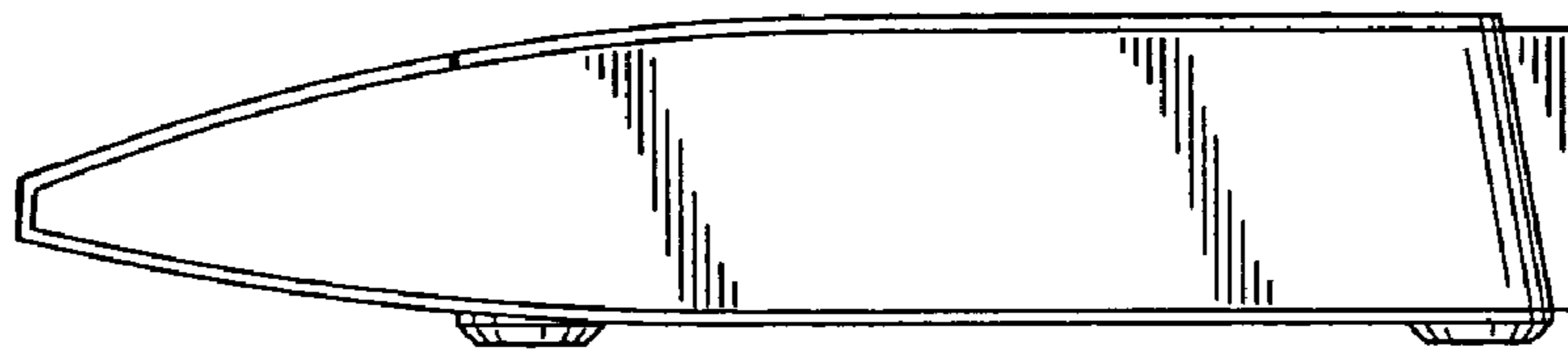


FIG. 4

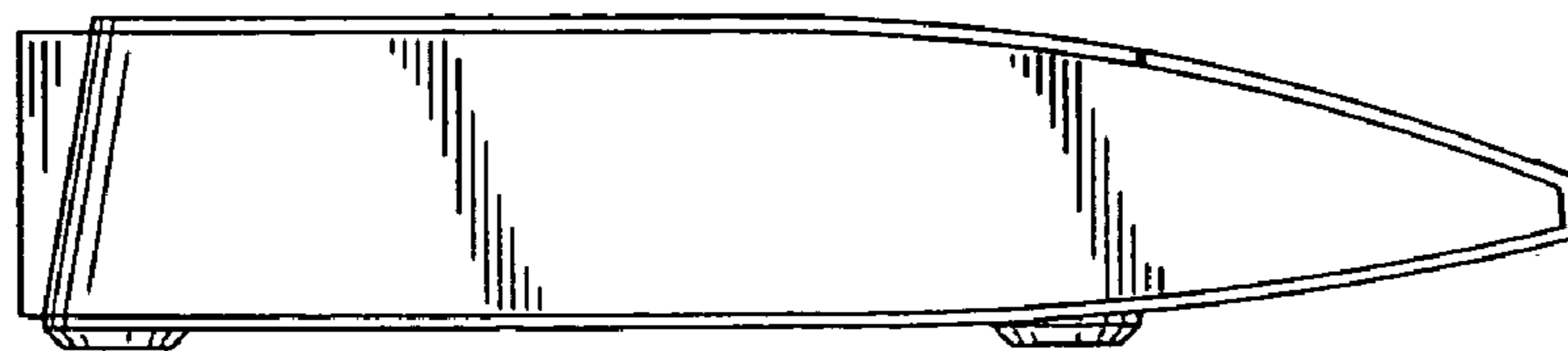


FIG. 5

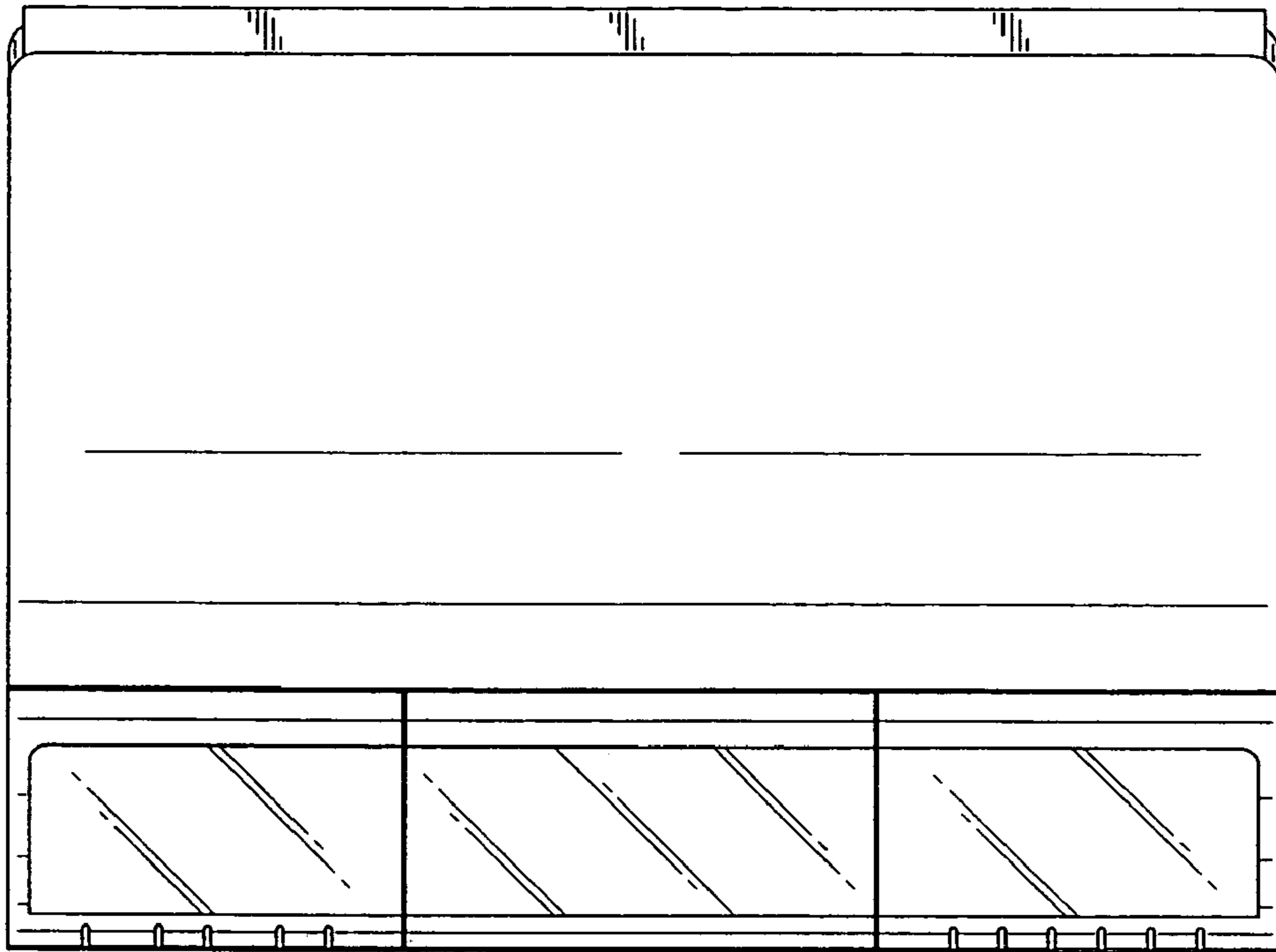


FIG. 6

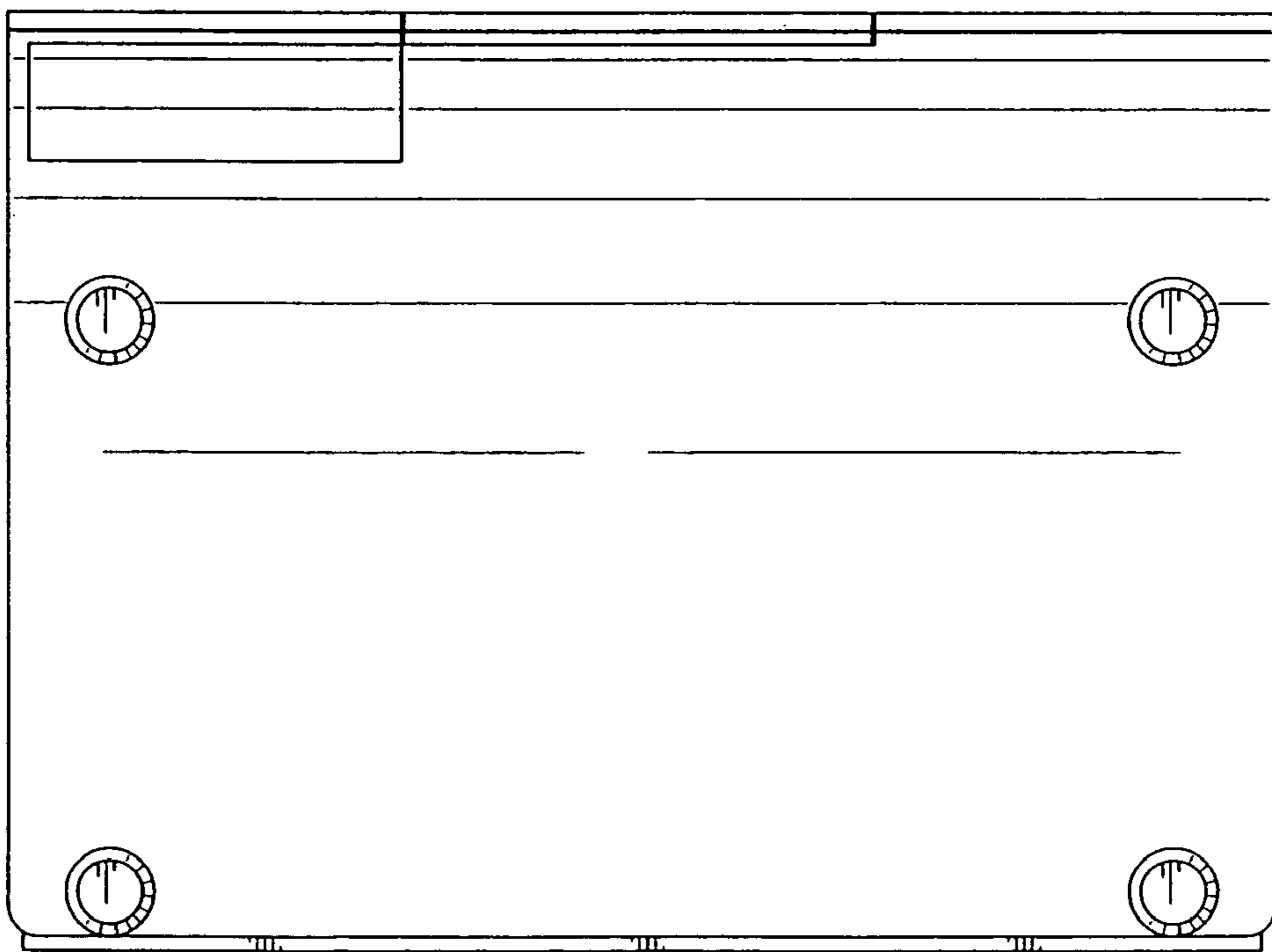


FIG. 7

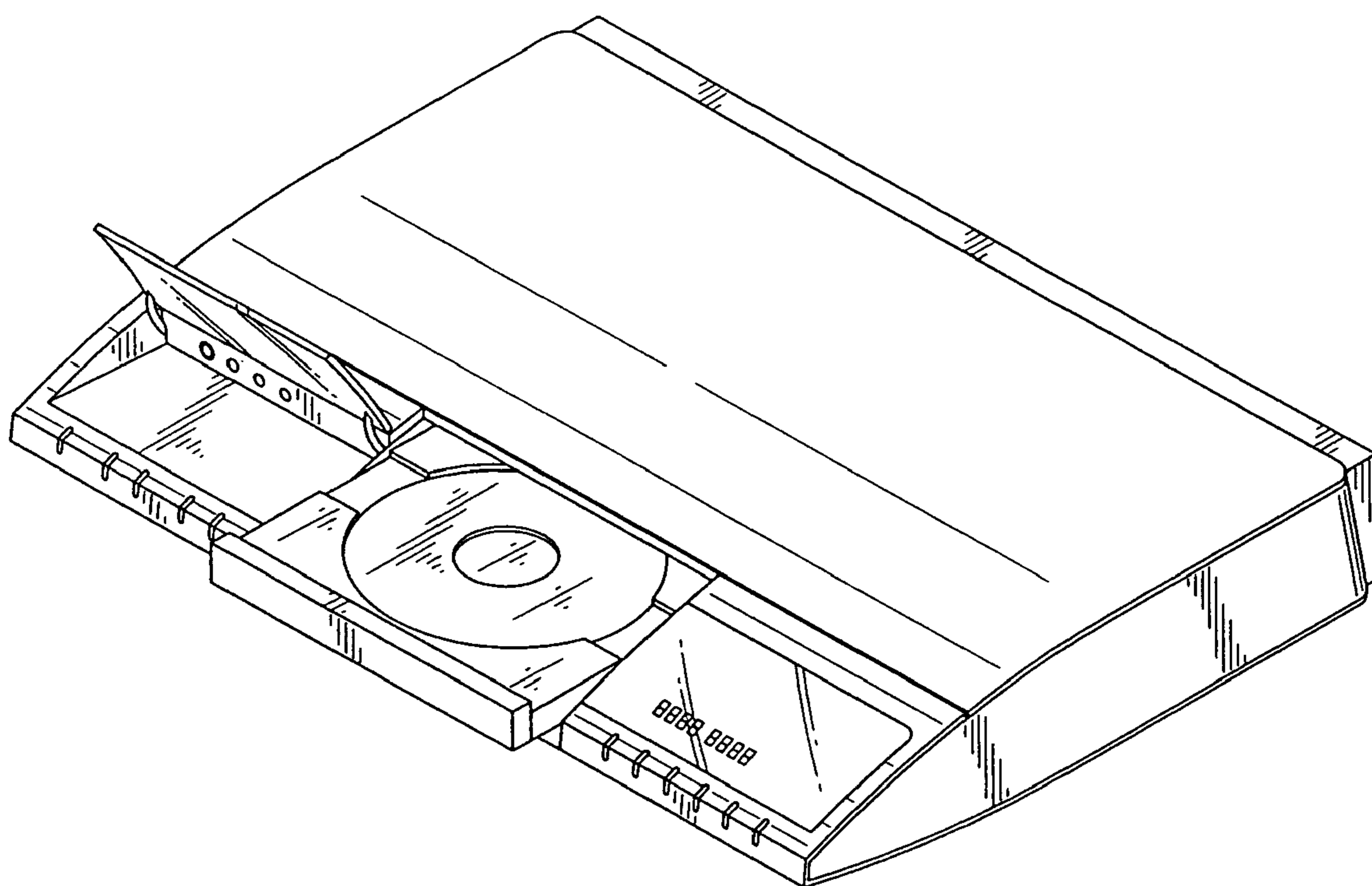


FIG. 8