



US00D557226S

(12) **United States Design Patent**  
**Uchino et al.**

(10) **Patent No.:** **US D557,226 S**

(45) **Date of Patent:** **\*\* Dec. 11, 2007**

(54) **ELECTRODE COVER FOR A PLASMA PROCESSING APPARATUS**

(75) Inventors: **Takeo Uchino**, Kudamatsu (JP);  
**Hiroyuki Shichida**, Kudamatsu (JP);  
**Masakazu Isozaki**, Kudamatsu (JP);  
**Tsunehiko Tsubone**, Hikari (JP);  
**Akitaka Makino**, Hikari (JP)

(73) Assignee: **Hitachi High-Technologies Corporation**, Tokyo (JP)

(\*\*) Term: **14 Years**

(21) Appl. No.: **29/236,981**

(22) Filed: **Aug. 25, 2005**

(51) **LOC (8) Cl.** ..... **13-03**

(52) **U.S. Cl.** ..... **D13/182**

(58) **Field of Classification Search** ..... D13/182,  
D13/158-177, 184; 204/286, 297; 205/118,  
205/123; 200/1 R, 5 R, 52 R, 315, 310,  
200/6 A, 302.1, 308, 314, 317, 11 R, 16 B  
See application file for complete search history.

(56) **References Cited**

U.S. PATENT DOCUMENTS

D404,370 S *	1/1999	Kimura	.....	D13/182
D404,372 S *	1/1999	Ishii	.....	D13/182
D427,570 S *	7/2000	Ishii	.....	D13/182
6,495,007 B2 *	12/2002	Wang	.....	204/297.01
6,663,762 B2 *	12/2003	Bleck et al.	.....	205/123
6,749,728 B2 *	6/2004	Wang	.....	204/297.09
D494,551 S *	8/2004	Doba	.....	D13/182

D494,552 S *	8/2004	Tezuka et al.	.....	D13/182
6,843,894 B2 *	1/2005	Berner et al.	.....	204/228.1
6,908,540 B2 *	6/2005	Kholodenko	.....	205/118
7,025,862 B2 *	4/2006	Herchen et al.	.....	204/297.06
7,087,144 B2 *	8/2006	Herchen	.....	204/297.1
7,138,039 B2 *	11/2006	Burkhart et al.	.....	204/286.1
2003/0066484 A1 *	4/2003	Morikage et al.	.....	118/723 E

\* cited by examiner

*Primary Examiner*—Selina Sikder

*Assistant Examiner*—Thomas J Johannes

(74) *Attorney, Agent, or Firm*—Antonelli, Terry, Stout & Kraus, LLP.

(57) **CLAIM**

The ornamental design for electrode cover for a plasma processing apparatus, as shown.

**DESCRIPTION**

FIG. 1 is a front, top and right side perspective view of electrode cover for a plasma processing apparatus showing our new design;

FIG. 2 is a rear, bottom and right side perspective view thereof;

FIG. 3 is a front elevational view thereof;

FIG. 4 is a right side elevational view thereof;

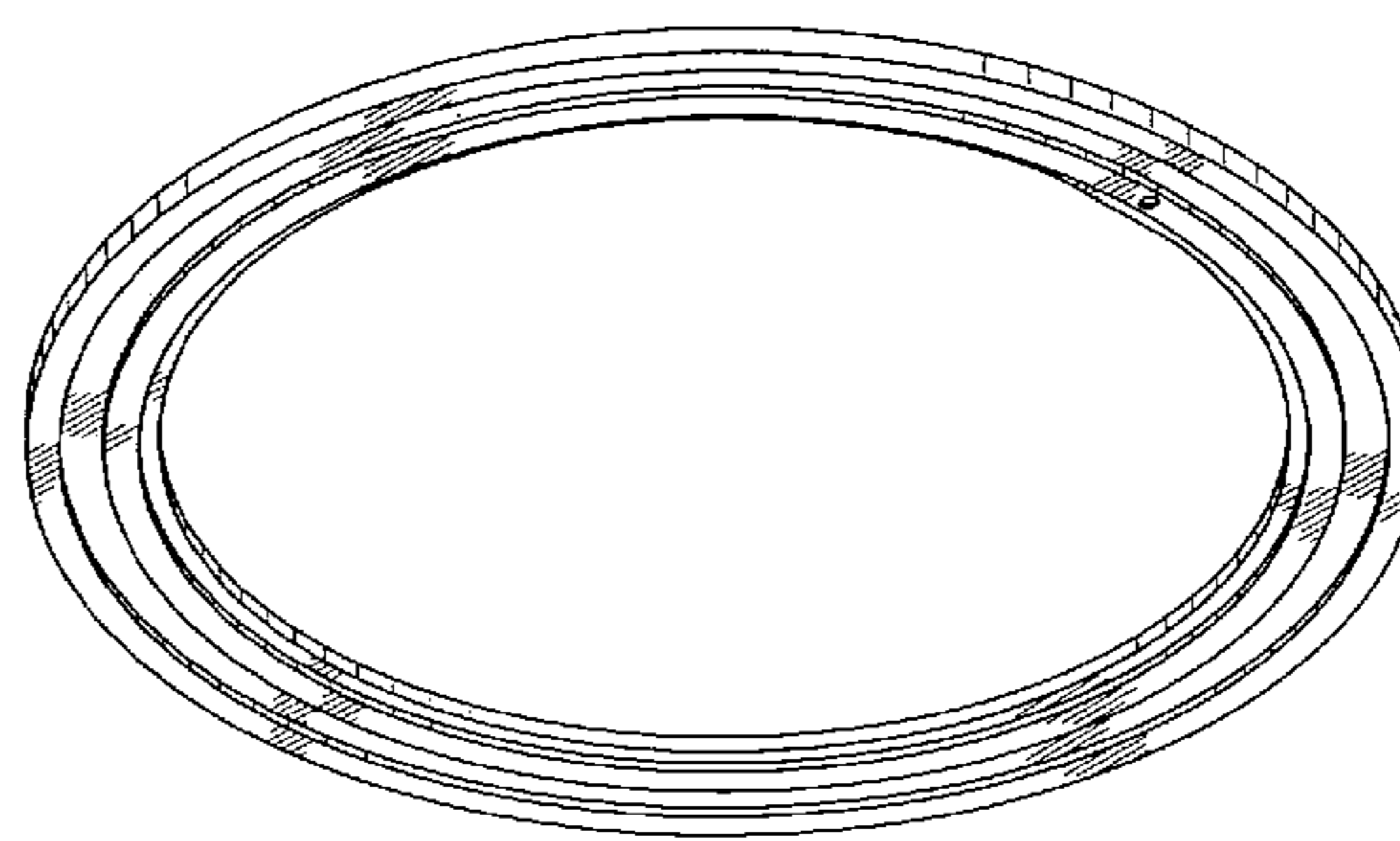
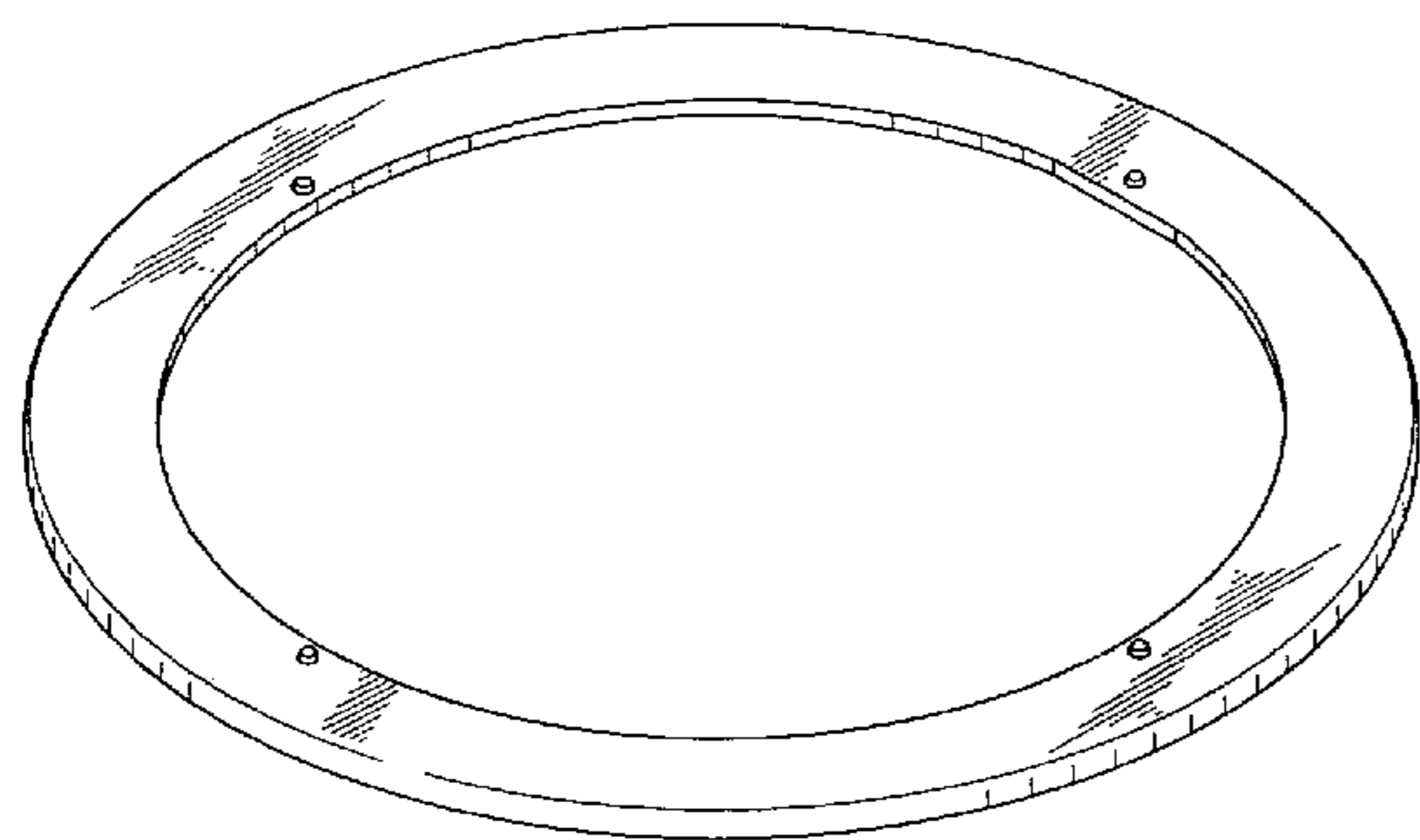
FIG. 5 is a left side elevational view thereof;

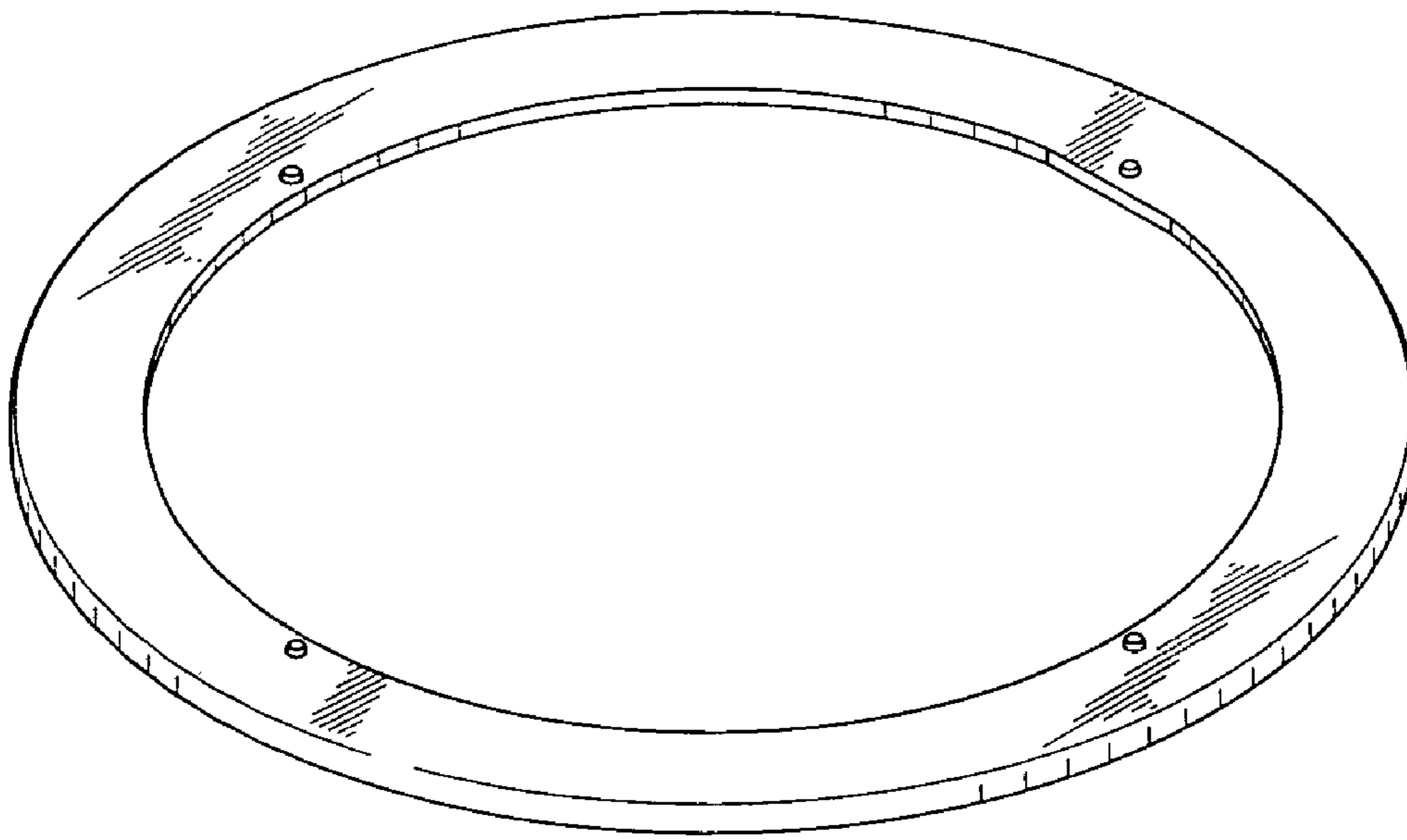
FIG. 6 is a top plan elevational view thereof;

FIG. 7 is a rear elevational view thereof; and,

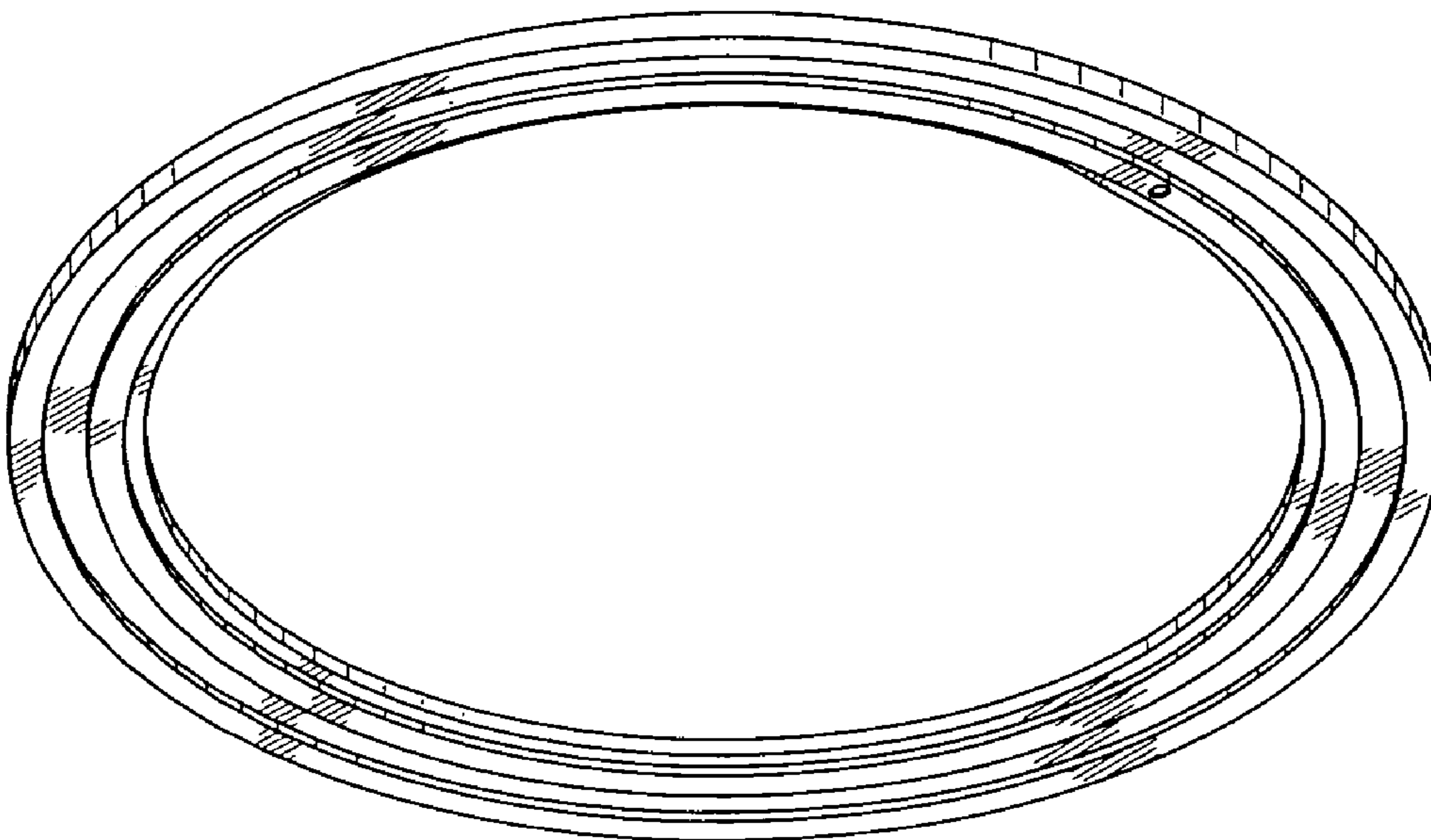
FIG. 8 is a bottom plan elevational view thereof.

**1 Claim, 4 Drawing Sheets**

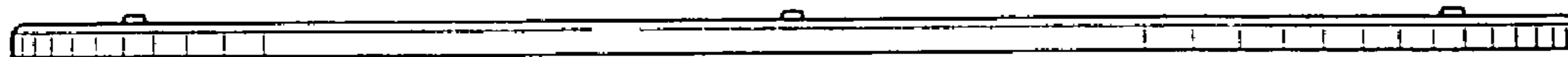




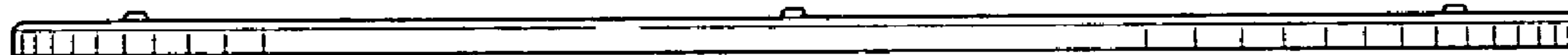
*FIG. 1*



*FIG. 2*



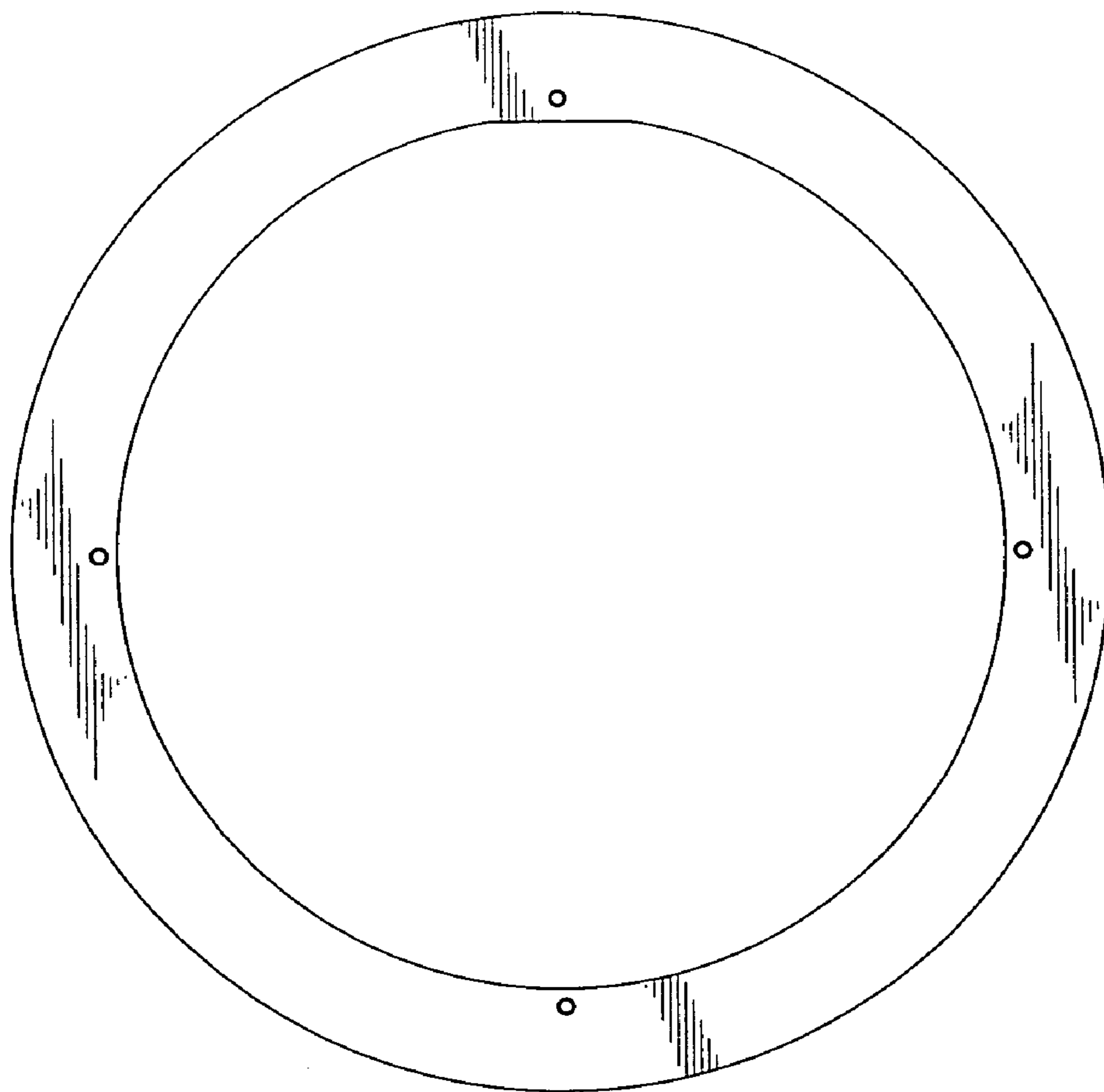
*FIG. 3*



*FIG. 4*



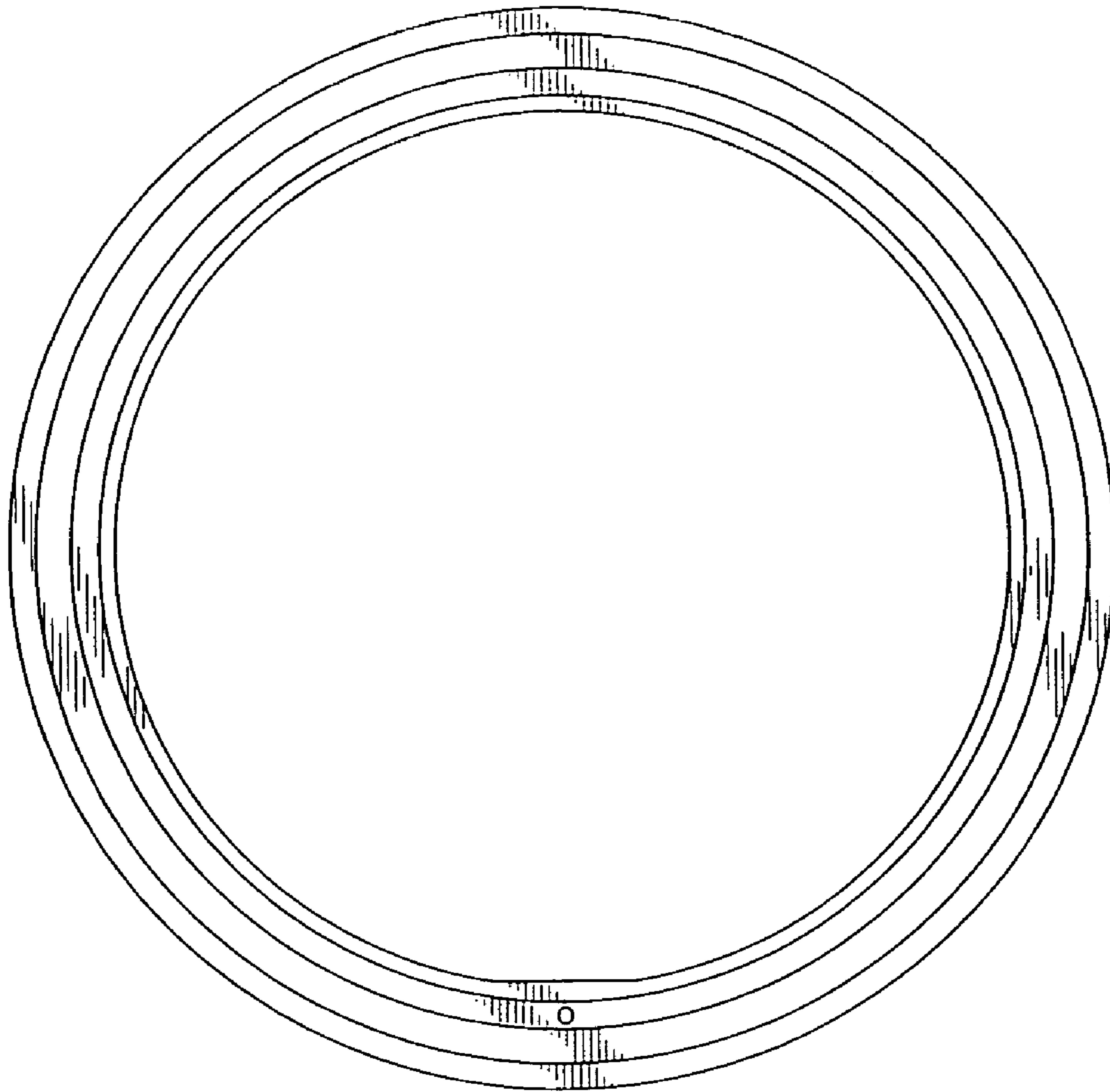
*FIG. 5*



*FIG. 6*



*FIG. 7*



*FIG. 8*