



US00D557225S

(12) **United States Design Patent** (10) **Patent No.:** **US D557,225 S**
Sisson (45) **Date of Patent:** **** Dec. 11, 2007**

(54) **FUNNEL PLATE**

(75) Inventor: **Thomas P. Sisson**, Forest, VA (US)

(73) Assignee: **Danville Automation Holdings LLC**,
Lynchburg, VA (US)

(**) Term: **14 Years**

(21) Appl. No.: **29/230,886**

(22) Filed: **May 27, 2005**

(51) **LOC (8) Cl.** **13-03**

(52) **U.S. Cl.** **D13/182**

(58) **Field of Classification Search** D13/182,
D13/184, 199; D8/350-353; 414/403, 404;
249/105, 108; 206/701, 710, 711, 725, 707,
206/714, 713, 724, 706, 722, 564, 561, 509,
206/539, 563, 557, 508, 486, 832

See application file for complete search history.

(56) **References Cited**

U.S. PATENT DOCUMENTS

3,465,874	A *	9/1969	Hugle et al.	206/714
D273,582	S *	4/1984	Bolt	D13/182
D273,860	S *	5/1984	Bolt	D13/182
4,448,306	A *	5/1984	Sinnadurai et al.	206/725
4,881,639	A *	11/1989	Matsuoka et al.	206/724
5,103,976	A *	4/1992	Murphy	206/725
5,131,535	A *	7/1992	O'Connor et al.	206/722
5,203,452	A *	4/1993	Small et al.	206/725
5,400,904	A *	3/1995	Maston et al.	206/725
5,481,438	A *	1/1996	Nemoto	206/725
5,492,223	A *	2/1996	Boardman et al.	206/725
5,503,858	A *	4/1996	Reskow	426/119
5,746,319	A *	5/1998	Murphy	206/725
5,772,038	A *	6/1998	Murata et al.	206/725
5,791,486	A *	8/1998	Brahmbhatt	206/725
5,794,784	A *	8/1998	Murphy	206/725

5,848,703	A *	12/1998	Murphy et al.	206/725
D412,888	S *	8/1999	Coveley	D13/182
5,957,293	A *	9/1999	Pakeriasamy	206/725
5,960,961	A *	10/1999	Gutentag	206/714
6,015,046	A *	1/2000	Brunelle	206/511
6,021,904	A *	2/2000	Kozol et al.	206/724
6,179,127	B1 *	1/2001	Kato et al.	206/714
6,227,372	B1 *	5/2001	Thomas et al.	206/725

(Continued)

Primary Examiner—Mitchell Siegel

Assistant Examiner—Mark Goodwin

(74) *Attorney, Agent, or Firm*—Baker & Hostetler LLP

(57) **CLAIM**

The ornamental design for a funnel plate, as shown and described.

DESCRIPTION

FIG. 1 is a front isometric view of a funnel plate in accordance with the new design;

FIG. 2 is a top view of the funnel plate design shown in FIG. 1;

FIG. 3 is a left side view of the funnel plate design shown in FIG. 1, the right side view being a mirror image;

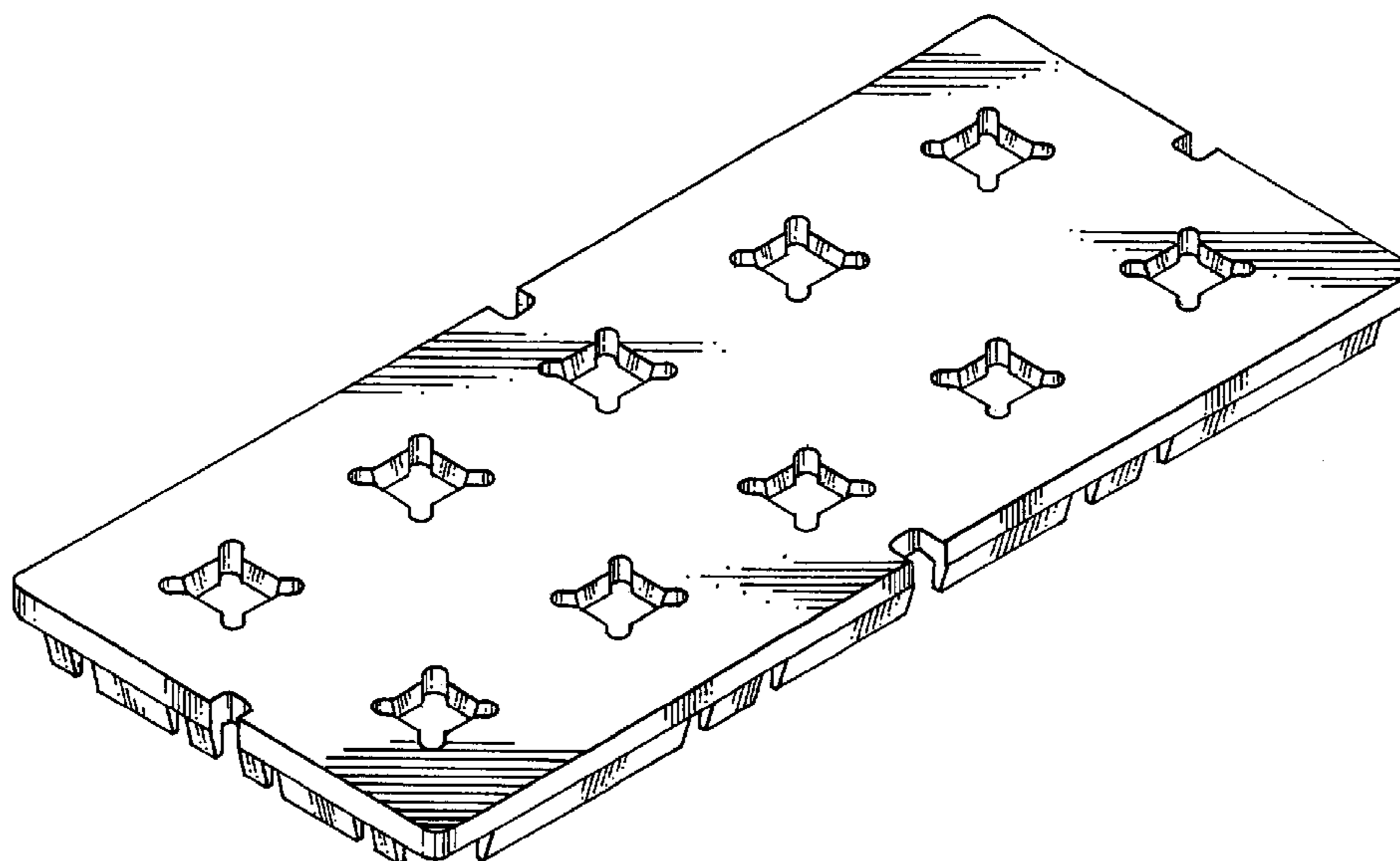
FIG. 4 is a bottom view of the funnel plate design shown in FIG. 1;

FIG. 5 is a front view of the funnel plate design shown in FIG. 1, the back view being a mirror image; and,

FIG. 6 is a side cross sectional view of the funnel plate shown in FIG. 2 along line 6—6.

The sectional view of FIG. 6 is included to clarify the shape of the design, and the broken lines therein form no part of the claimed design.

1 Claim, 3 Drawing Sheets



US D557,225 S

Page 2

U.S. PATENT DOCUMENTS

6,296,122	B1 *	10/2001	Nakazono et al.	206/725	D522,979	S *	6/2006	Sisson	D13/182
6,332,946	B1 *	12/2001	Emmett et al.	156/299	2001/0023839	A1 *	9/2001	Kunii et al.	206/711
6,474,477	B1 *	11/2002	Chang	206/725	2002/0066693	A1 *	6/2002	Zhu et al.	206/725
6,612,442	B2 *	9/2003	Soh et al.	206/725	2002/0066694	A1 *	6/2002	Soh et al.	206/725
D496,339	S *	9/2004	Stanley	D13/182	2002/0162770	A1 *	11/2002	Chang	206/725
6,857,524	B2 *	2/2005	Duban-Hu et al.	206/725	2003/0230512	A1 *	12/2003	Yeh	206/714
D522,471	S *	6/2006	Sisson	D13/182	2004/0011700	A1 *	1/2004	Brahmbhatt et al.	206/713

* cited by examiner

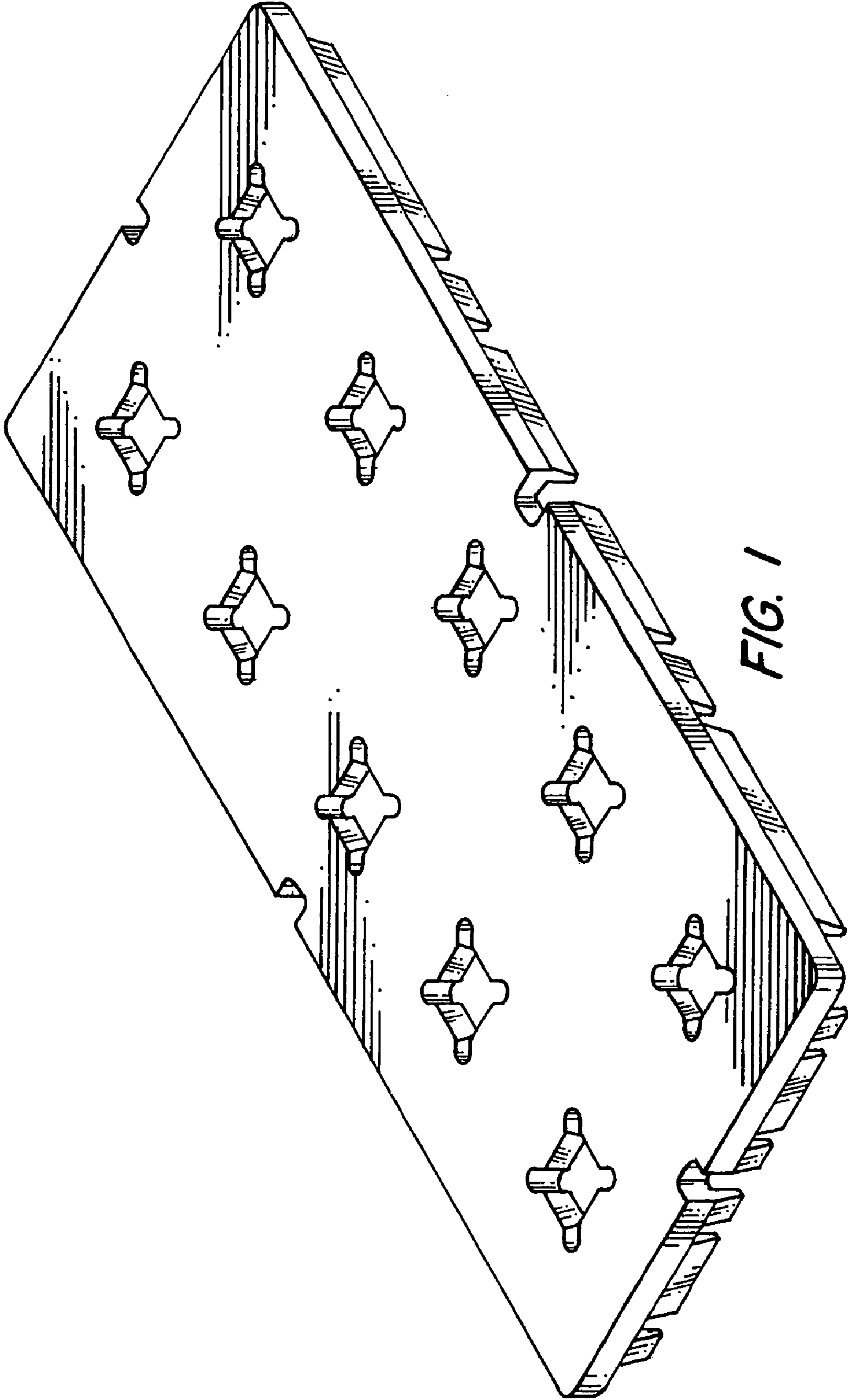


FIG. 1

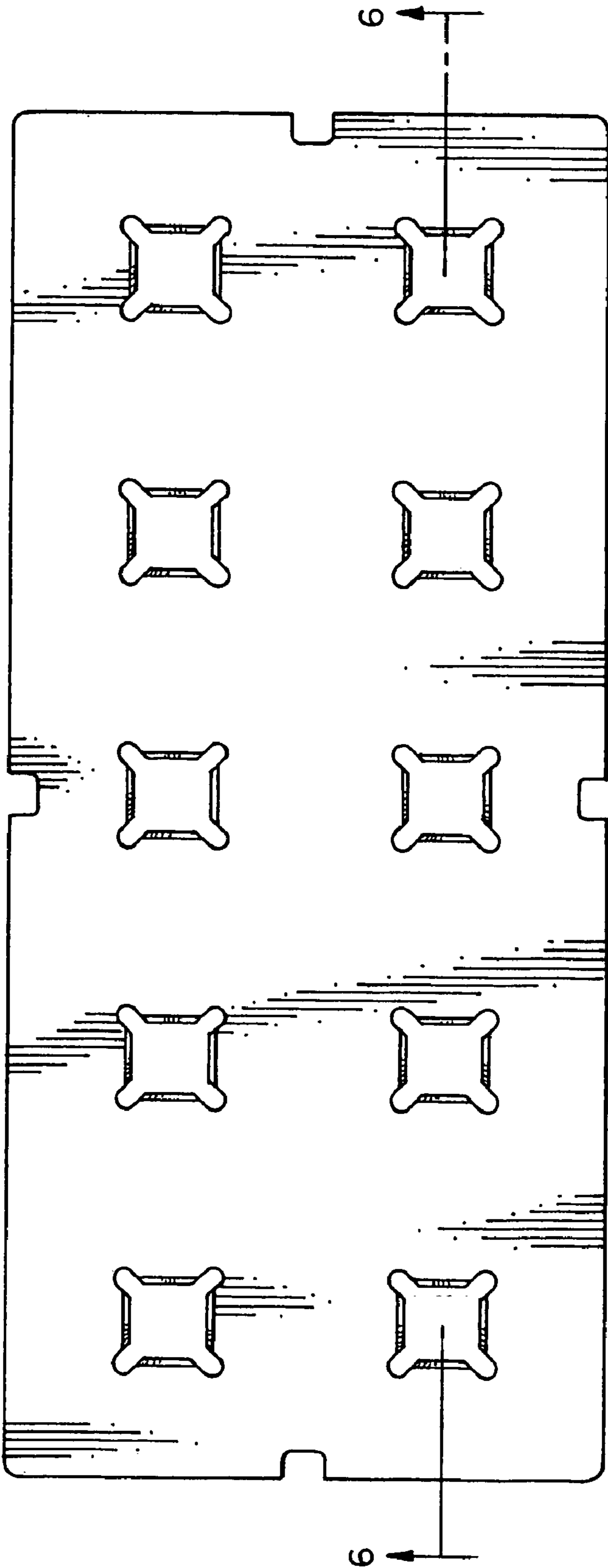


FIG. 2



FIG. 3



FIG. 6

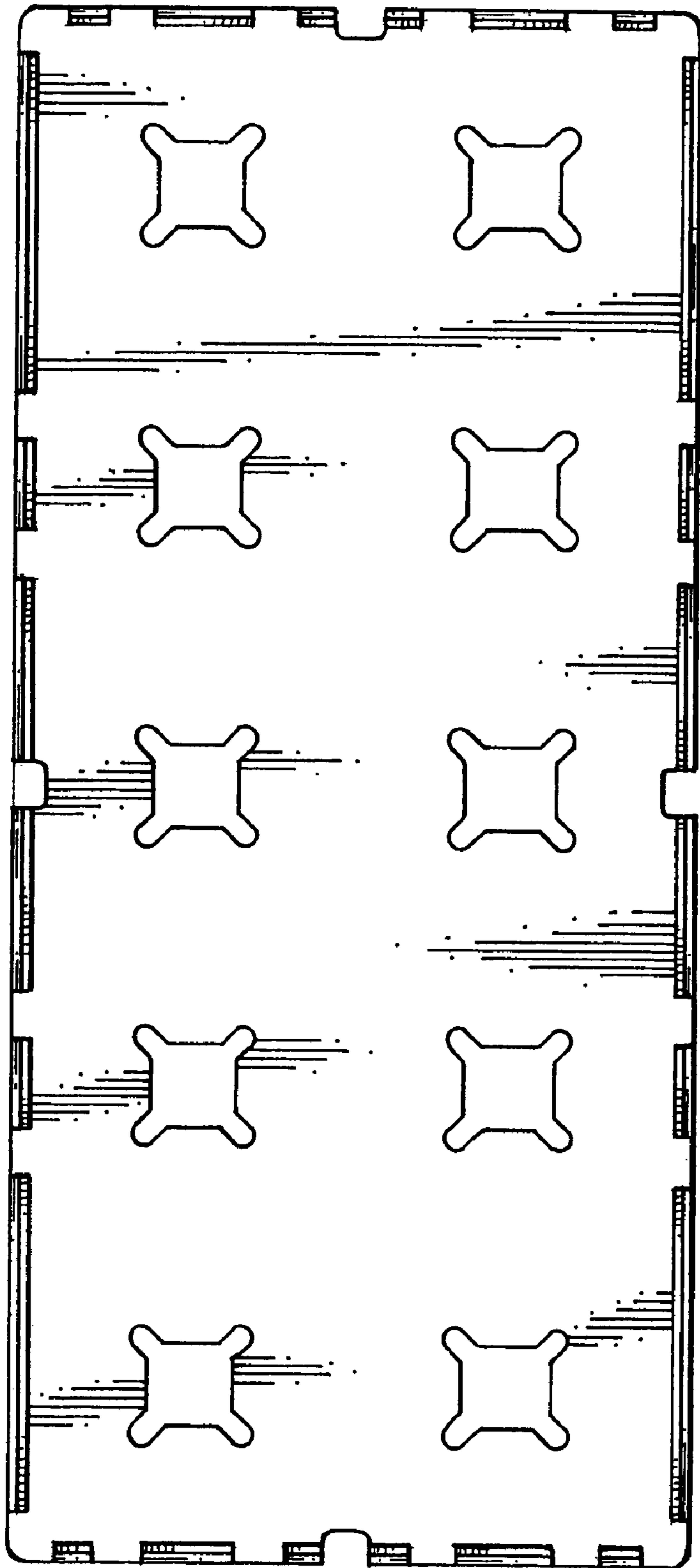


FIG. 4



FIG. 5