



US00D557223S

(12) **United States Design Patent**
Kim et al.

(10) **Patent No.:** **US D557,223 S**

(45) **Date of Patent:** **** Dec. 11, 2007**

(54) **LIGHT EMITTING DIODE (LED)**
(75) Inventors: **Nam Young Kim**, Seoul (KR); **Kyoung Bo Han**, Seoul (KR); **Myung Hee Lee**, Gyeonggi-do (KR)

(73) Assignee: **Seoul Semiconductor Co., Ltd.**, Seoul (KR)

(**) Term: **14 Years**

(21) Appl. No.: **29/263,756**

(22) Filed: **Jul. 28, 2006**

(30) **Foreign Application Priority Data**

Mar. 24, 2006 (KR) 30-2006-0011070

(51) **LOC (8) Cl.** **13-03**

(52) **U.S. Cl.** **D13/180**

(58) **Field of Classification Search** D13/180, D13/182; D26/2; 257/79, 80, 81, 82, 88, 257/89, 95, 98, 99, 100, 678, 680, 433, 434; 313/483, 498, 500; 361/820; 362/555, 800
See application file for complete search history.

(56) **References Cited**

U.S. PATENT DOCUMENTS

D489,691 S	5/2004	Ishida	
D490,783 S *	6/2004	Ishida	D13/180
D490,784 S	6/2004	Ishida	
D491,538 S	6/2004	Ishida	
D495,667 S *	9/2004	Kim et al.	D13/180
D495,668 S	9/2004	Kim et al.	
D497,349 S	10/2004	Hoshiba	
D499,385 S	12/2004	Ishida	
D500,292 S *	12/2004	Ishida	D13/180
D503,388 S	3/2005	Ishida	
D504,873 S *	5/2005	Ishida	D13/180
D506,449 S	6/2005	Hoshiba	
D512,031 S	11/2005	Ishida	
D526,970 S	8/2006	Inoue	

D526,971 S	8/2006	Inoue	
D529,451 S	10/2006	Kim et al.	
D529,452 S *	10/2006	Kim et al.	D13/180
D530,684 S	10/2006	Tzeng	
D531,141 S	10/2006	Tzeng	
D532,382 S	11/2006	Inoue	
D533,148 S	12/2006	Hong	
D534,132 S *	12/2006	Yoon	D13/180
2006/0193121 A1 *	8/2006	Kamoshita	362/84
2006/0284203 A1 *	12/2006	Han et al.	257/98
2007/0001187 A1 *	1/2007	Kim	257/98
2007/0029564 A1 *	2/2007	Han et al.	257/98

FOREIGN PATENT DOCUMENTS

JP	D1077515	4/2000
JP	D1171193	2/2003
JP	D1171708	2/2003

(Continued)

Primary Examiner—Selina Sikder
(74) *Attorney, Agent, or Firm*—Townsend and Townsend and Crew LLP

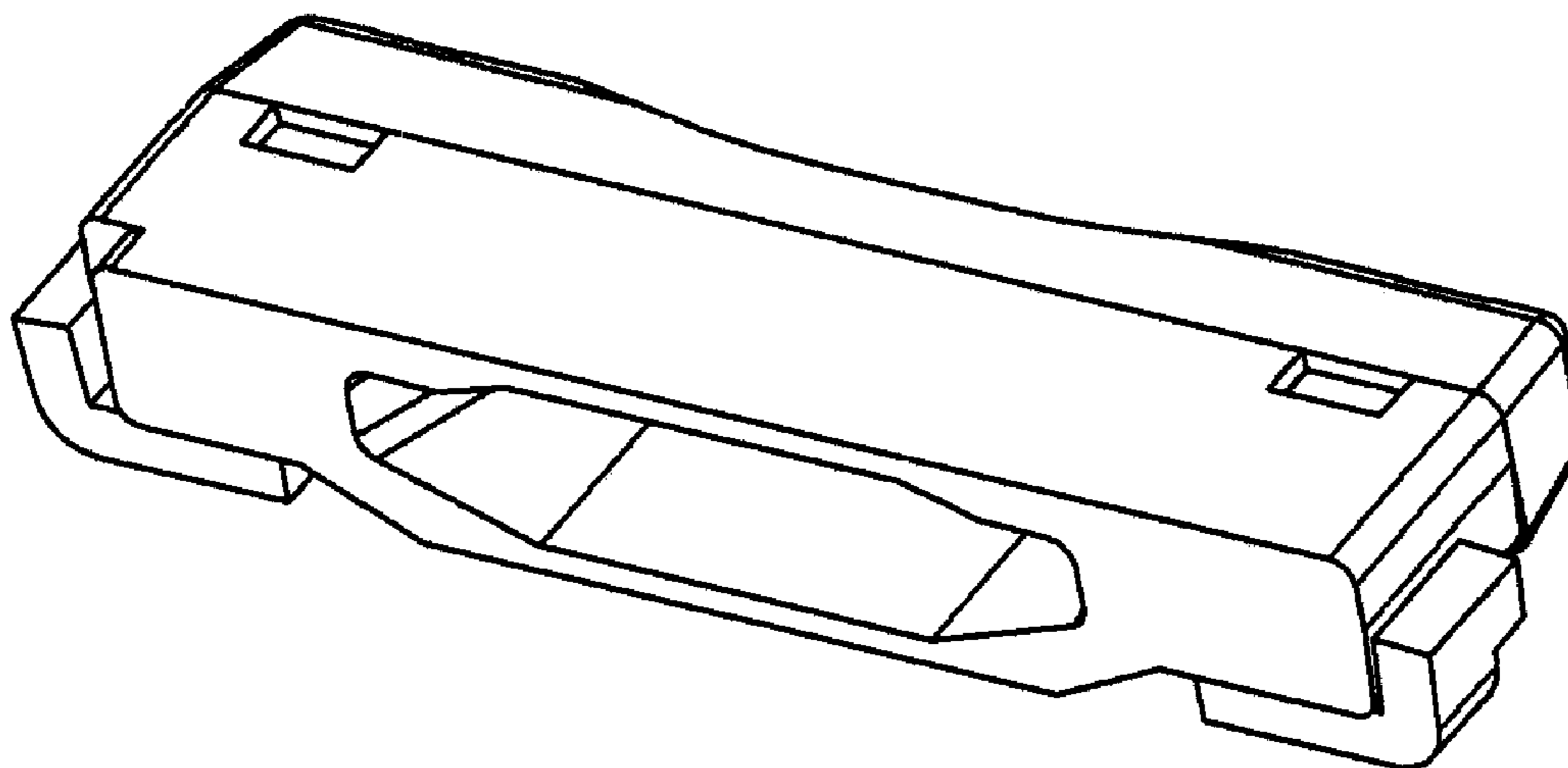
(57) **CLAIM**

The ornamental design for light emitting diode (LED), as shown and described.

DESCRIPTION

FIG. 1 is a perspective view of a light emitting diode (LED) showing my new design;
FIG. 2 is a front elevational view thereof;
FIG. 3 is a rear elevational view thereof;
FIG. 4 is a left side elevational view thereof;
FIG. 5 is a right side elevational view thereof;
FIG. 6 is a top plan view thereof;
FIG. 7 is a bottom plan view thereof; and,
FIG. 8 is a sectional view taken along line 8-8 in FIG. 2.

1 Claim, 3 Drawing Sheets



US D557,223 S

Page 2

FOREIGN PATENT DOCUMENTS					
			KR	30-0294490	3/2002
			KR	30-0294490-2	2/2003
			KR	30-0364188	10/2004
JP	D1171707	4/2003	KR	30-2004-0015094	6/2005
JP	D1175165	6/2003	KR	30-2005-0009344	11/2005
JP	D1243550	6/2005	TW	D104147	4/1992
JP	D1243551	6/2005	TW	D103950	6/1992
JP	30-03956560000	10/2005	TW	D104955	6/1992
JP	30-03956560001	10/2005			
JP	30-03956560002	10/2005			
JP	30-03956560003	10/2005			

* cited by examiner

FIG. 1

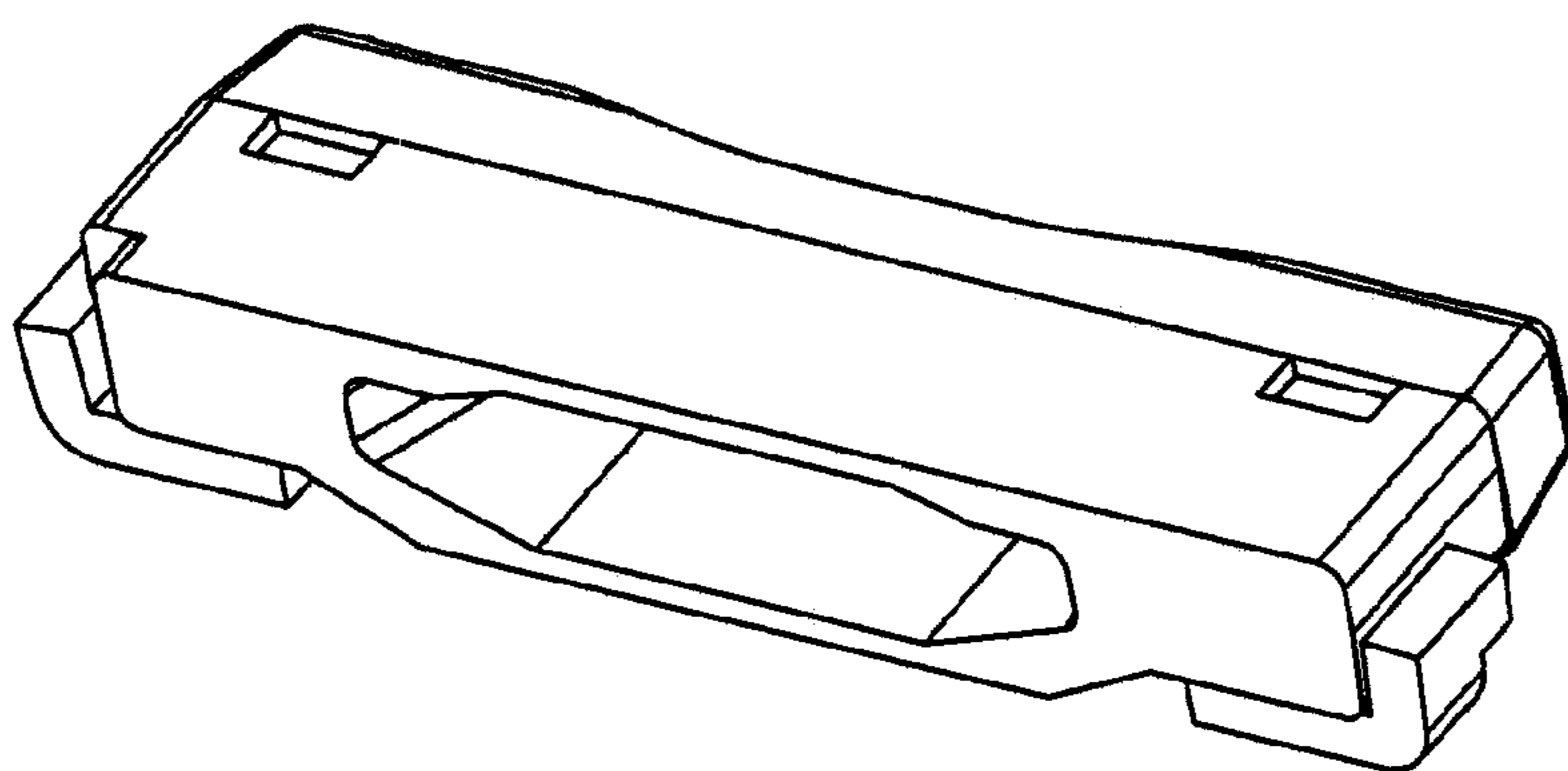


FIG. 2

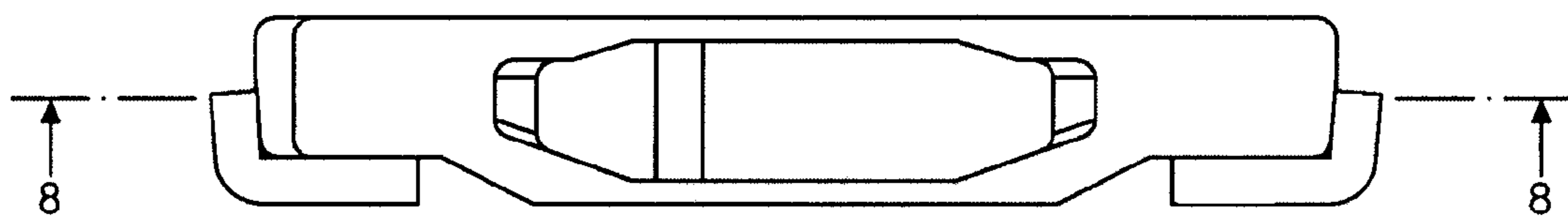


FIG. 3

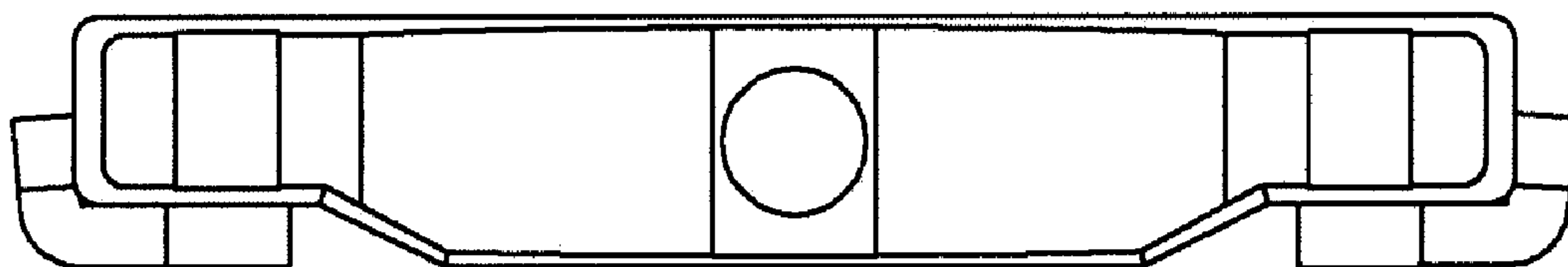


FIG. 4

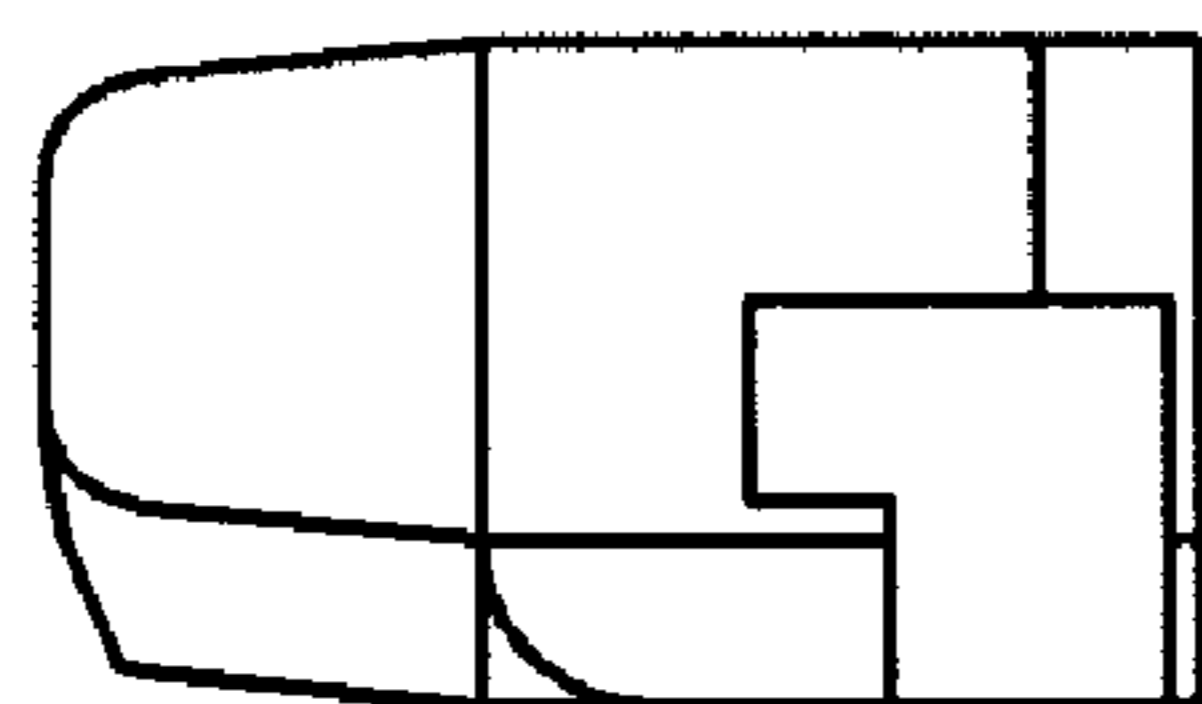


FIG. 5

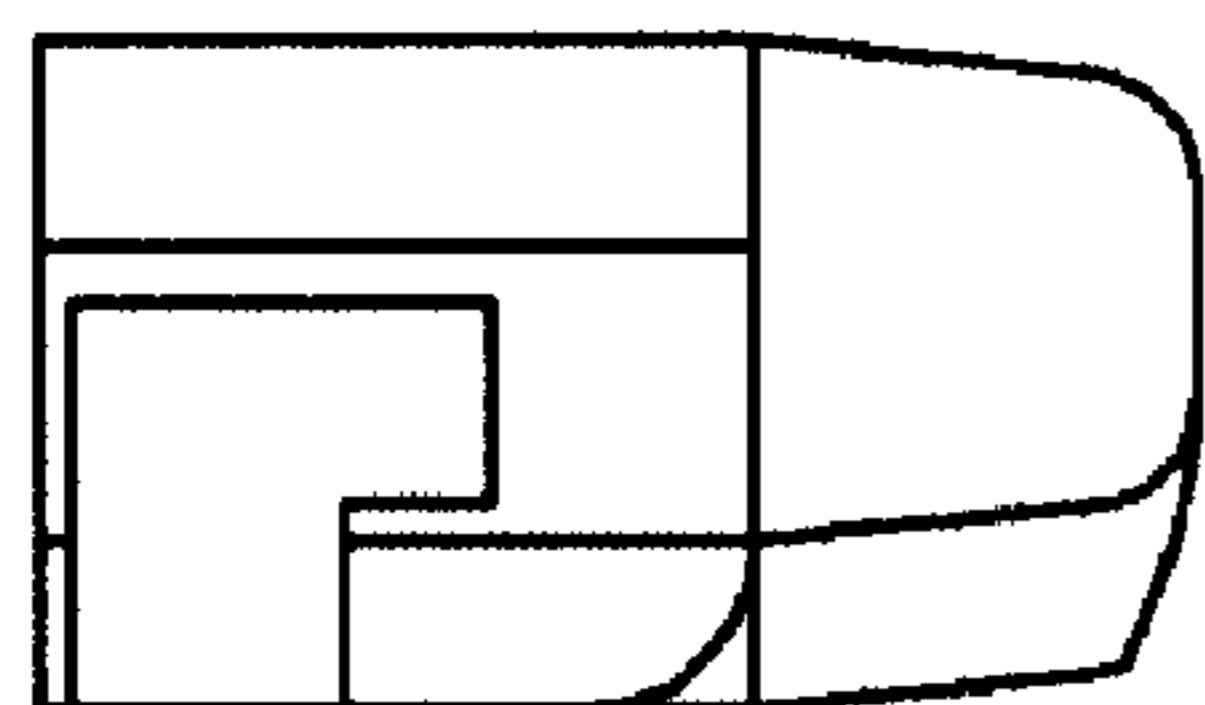


FIG. 6

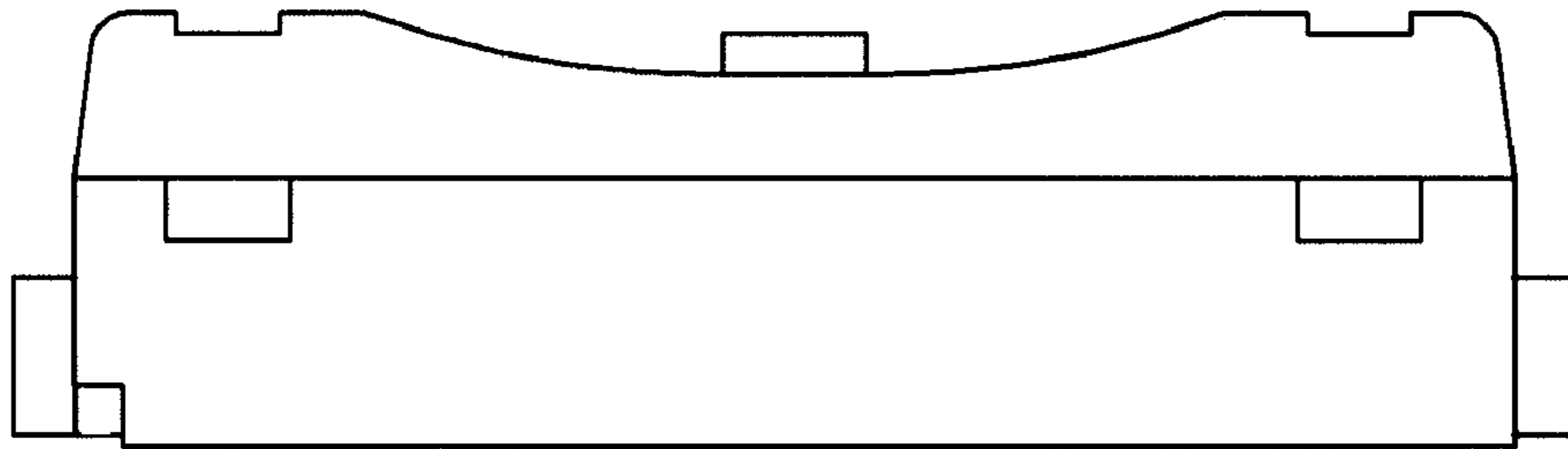


FIG. 7

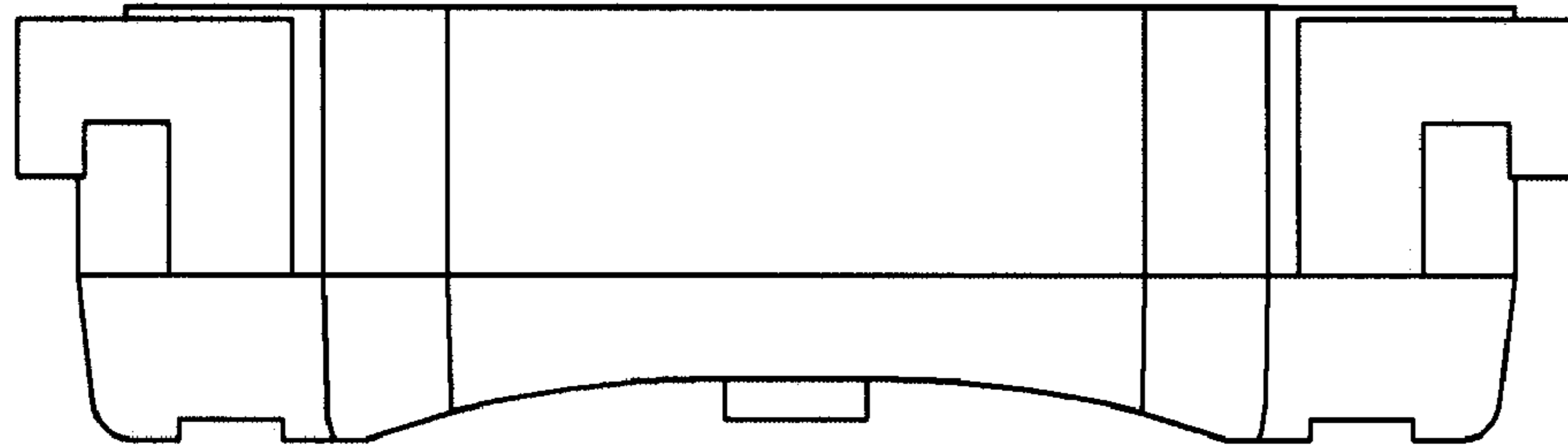


FIG. 8

