

US00D557222S

(12) **United States Design Patent**
Kawamura et al.

(10) **Patent No.:** **US D557,222 S**

(45) **Date of Patent:** **** Dec. 11, 2007**

(54) **SLIDE SWITCH**

(75) Inventors: **Takashi Kawamura**, Iizuka (JP);
Takahiro Sasaki, Iizuka (JP); **Hidetake Kikuchi**, Iizuka (JP)

(73) Assignee: **Mitsumi Electric Co., Ltd**, Tokyo (JP)

(**) Term: **14 Years**

(21) Appl. No.: **29/265,268**

(22) Filed: **Aug. 29, 2006**

(30) **Foreign Application Priority Data**

Mar. 29, 2006 (JP) 2006-007888

(51) **LOC (8) Cl.** **13-03**

(52) **U.S. Cl.** **D13/170**

(58) **Field of Classification Search** D13/170;
200/16 C, 16 D, 547, 252

See application file for complete search history.

(56) **References Cited**

U.S. PATENT DOCUMENTS

4,016,378 A * 4/1977 Arthur 200/16 D
4,180,712 A * 12/1979 Lutzenberger et al. 200/16 D
D462,666 S * 9/2002 Yamasaki et al. D13/158
6,621,018 B1 * 9/2003 Chen 200/16 C

D495,666 S * 9/2004 Wong et al. D13/170
6,841,744 B1 * 1/2005 Kodo et al. 200/16 C
D534,500 S * 1/2007 Yamada D13/158
2004/0079627 A1 * 4/2004 Huang et al. 200/406
2007/0051600 A1 * 3/2007 Sun 200/252

* cited by examiner

Primary Examiner—Selina Sikder

(74) *Attorney, Agent, or Firm*—Sughrue Mion, PLLC

(57) **CLAIM**

The ornamental design for a slide switch, as shown.

DESCRIPTION

FIG. 1 is a perspective view of the top, front and right side of a slide switch showing our new design;

FIG. 2 is a perspective view of the top, rear and left side thereof;

FIG. 3 is front elevational view thereof;

FIG. 4 is a rear elevational view thereof;

FIG. 5 is a top plan view thereof;

FIG. 6 is a bottom plan view thereof;

FIG. 7 is a left side elevational view thereof; and,

FIG. 8 is a right side elevational view thereof.

1 Claim, 2 Drawing Sheets

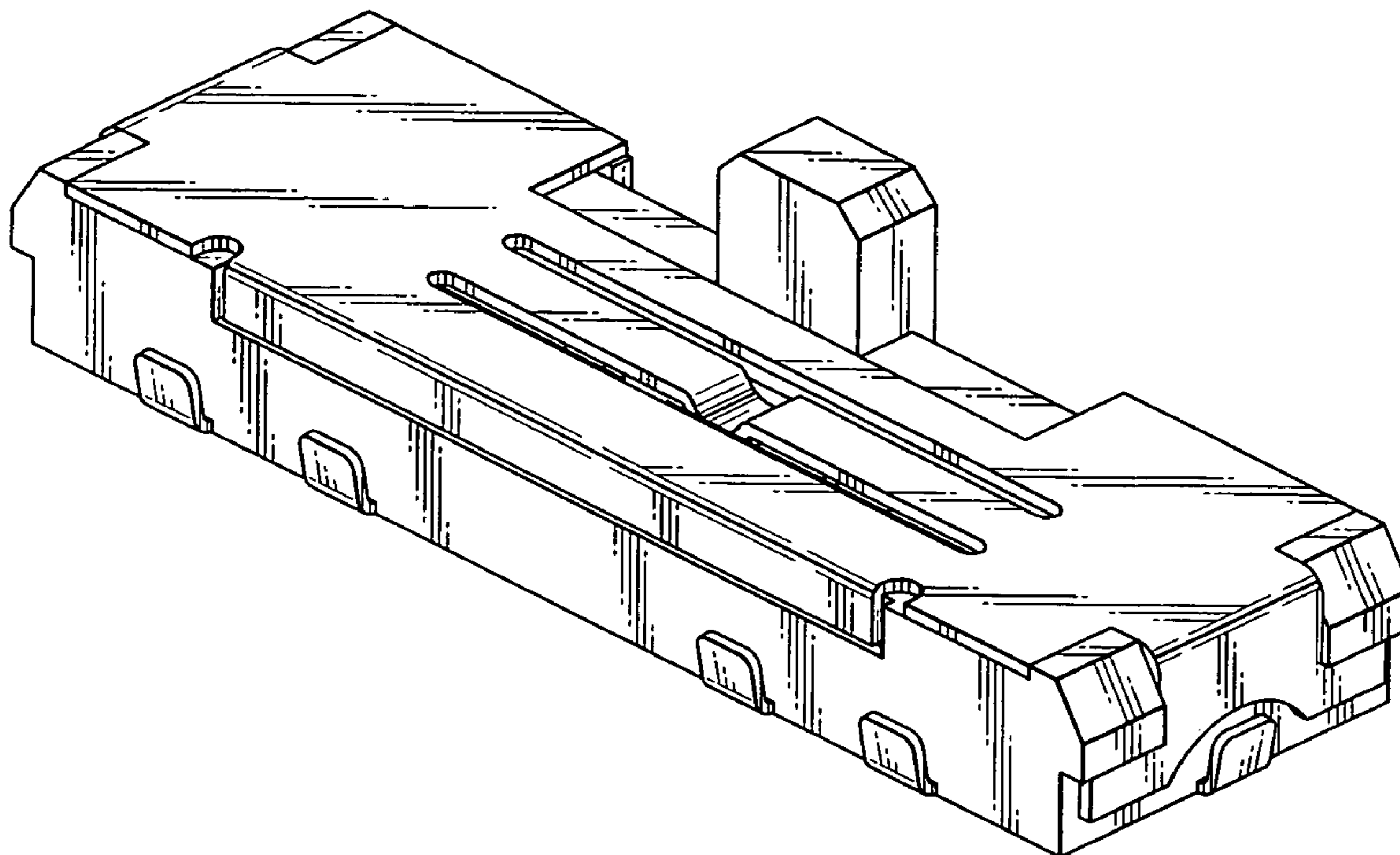


FIG.1

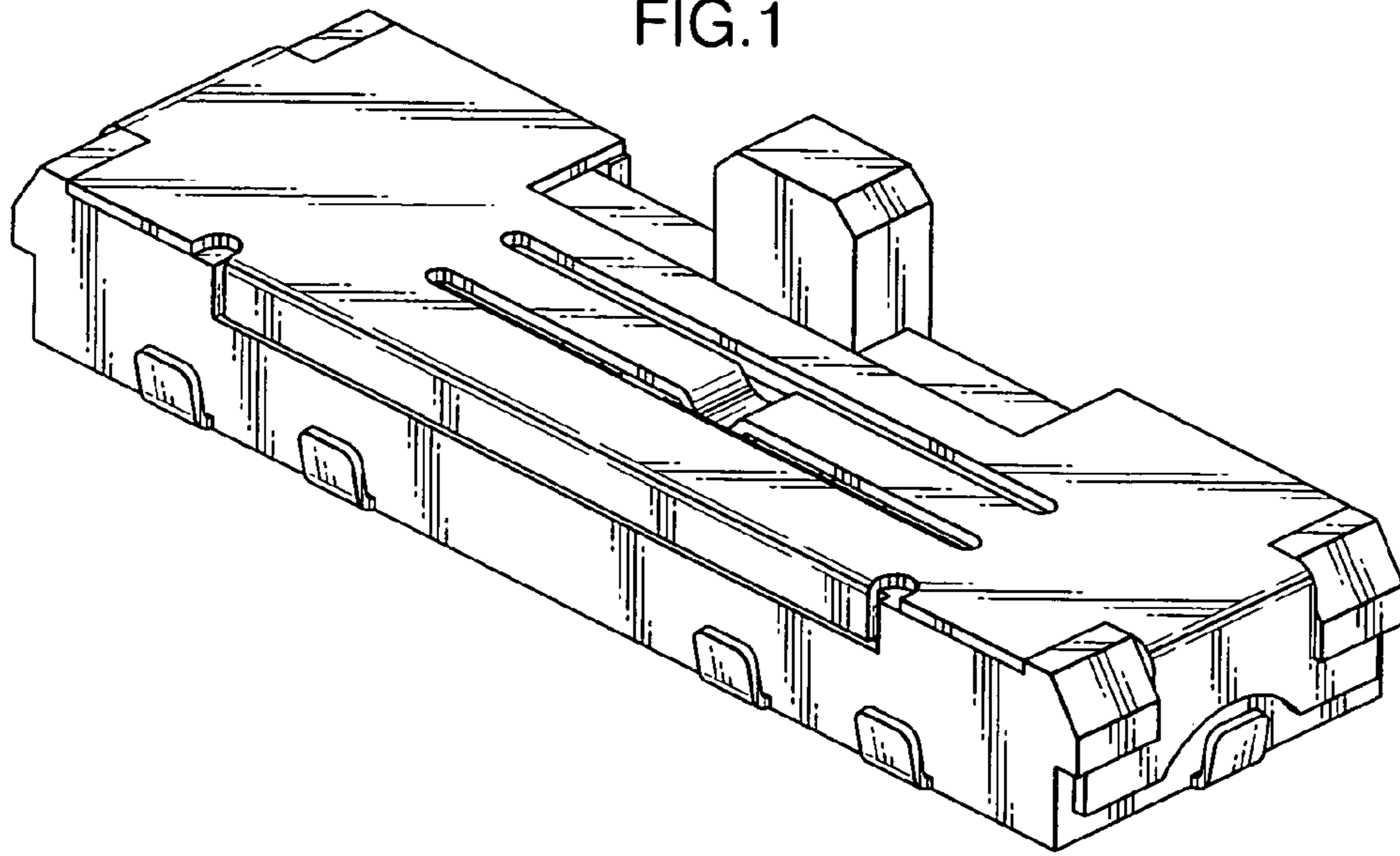


FIG.2

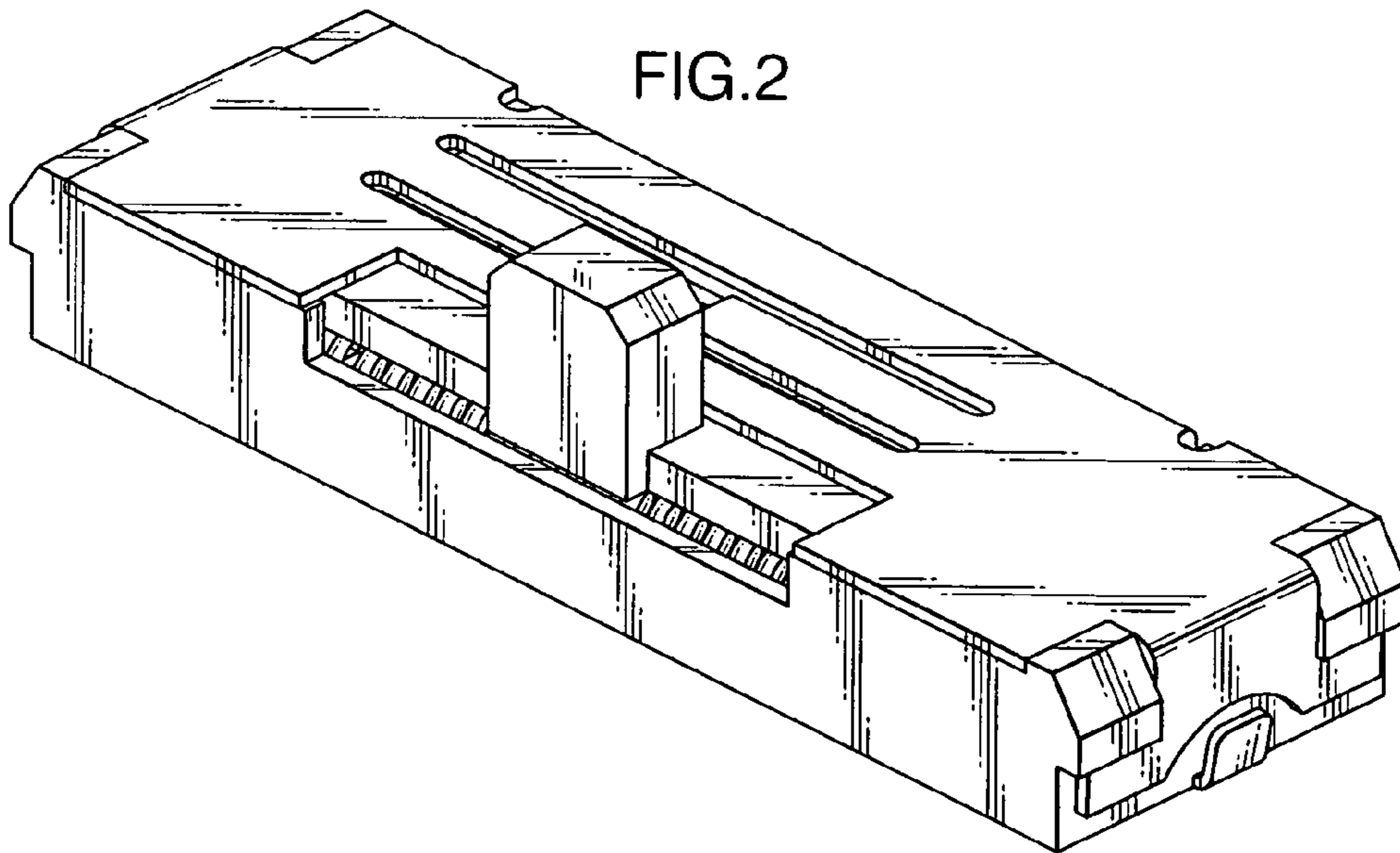


FIG.3

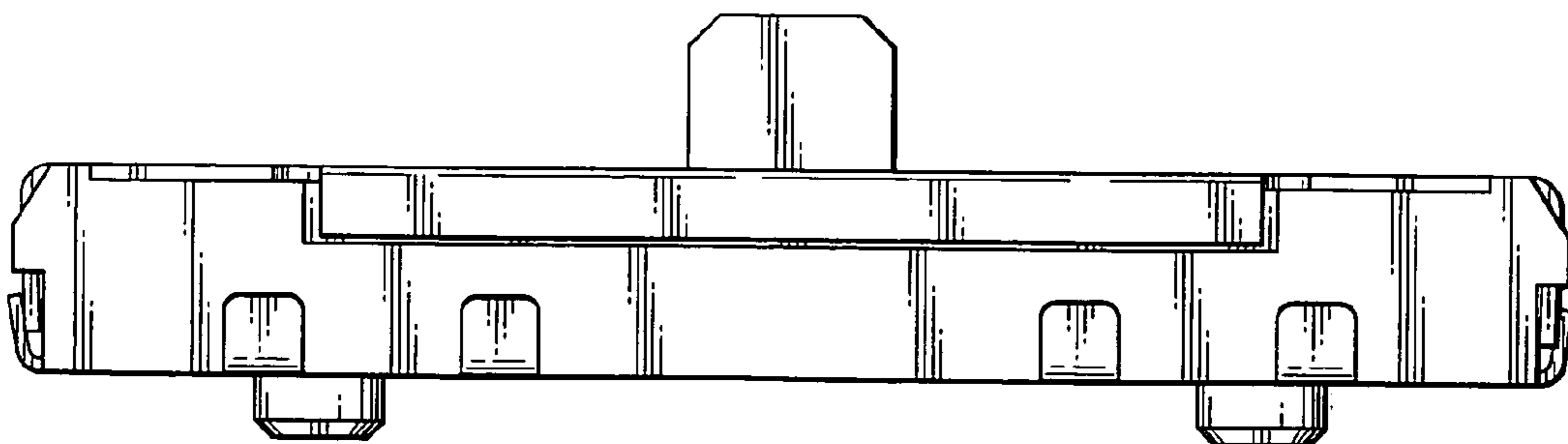


FIG.4

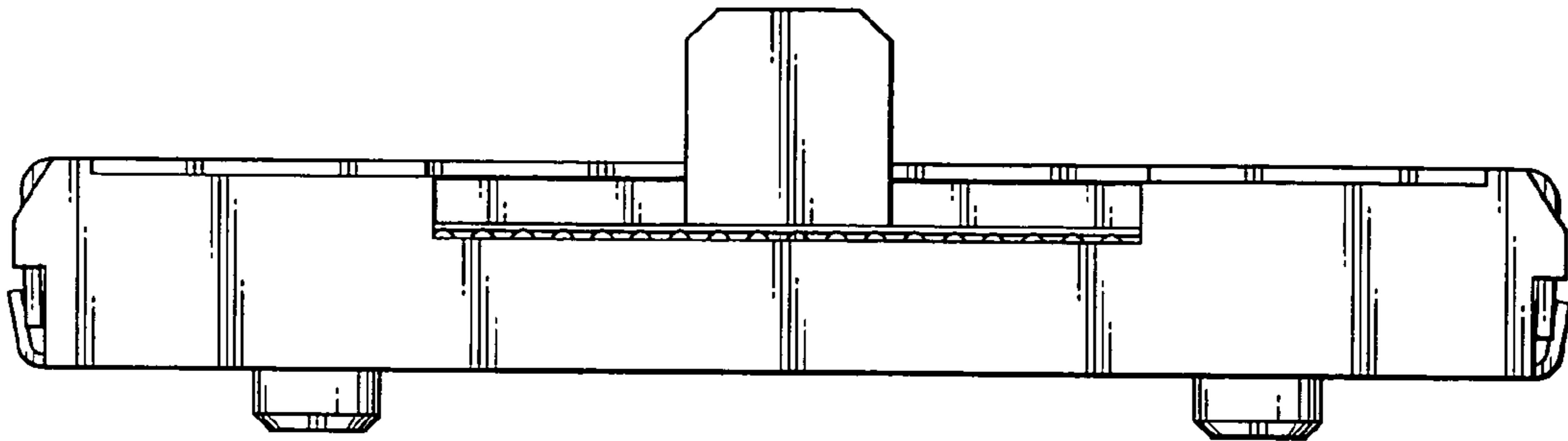


FIG.5

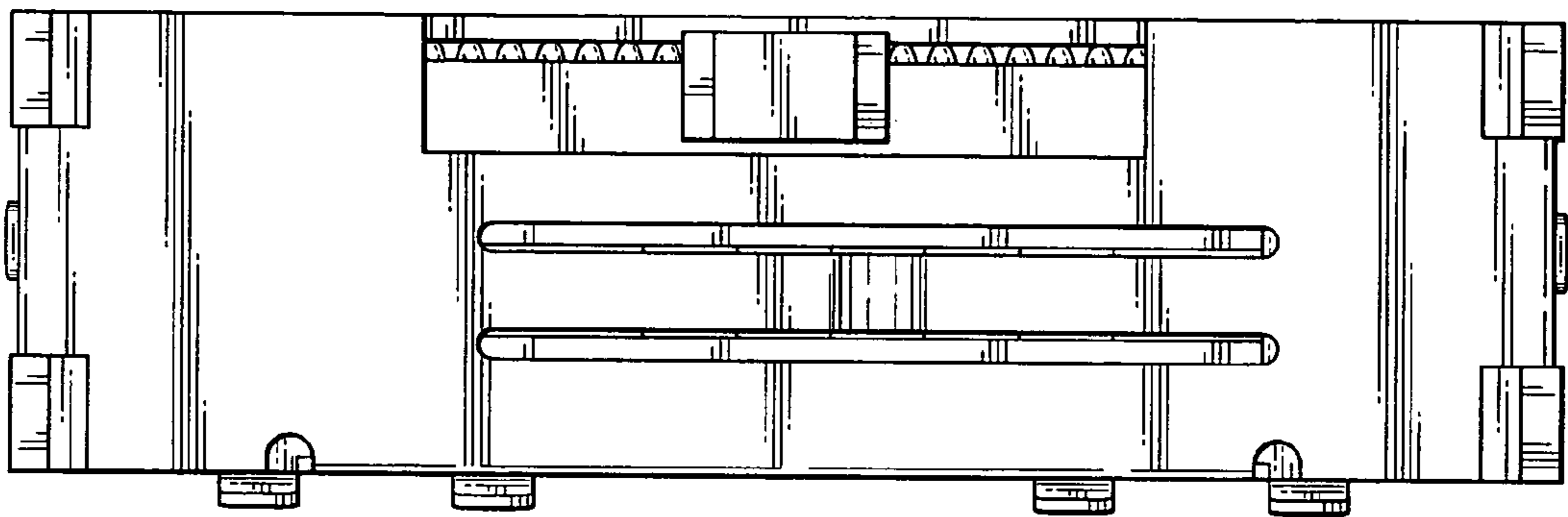


FIG.6

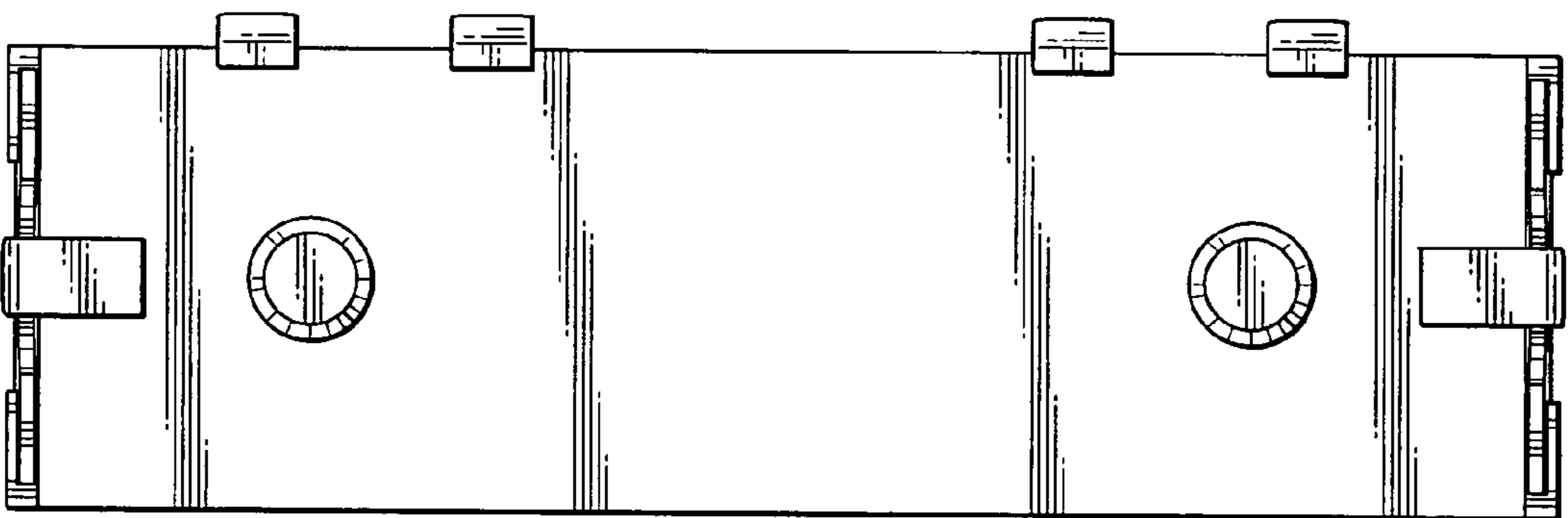


FIG.7

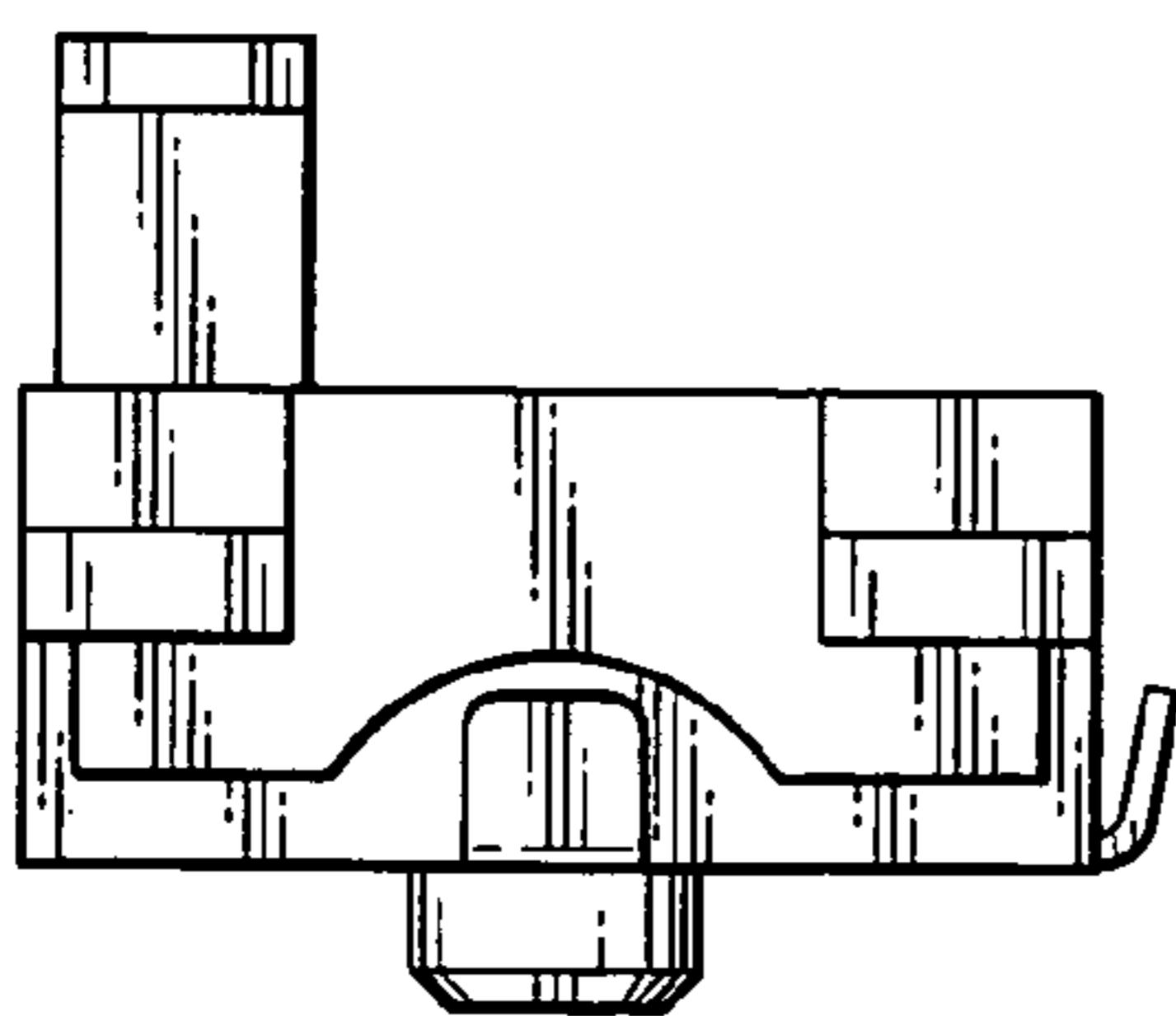


FIG.8

