



US00D557218S

(12) **United States Design Patent**
Ewringmann

(10) **Patent No.:** **US D557,218 S**

(45) **Date of Patent:** **** Dec. 11, 2007**

(54) **CONTROLLER**

(75) **Inventor:** **Ulrich Ewringmann,**
Taufkirchen-Potzham (DE)

(73) **Assignee:** **Joseph Vogele AG,** Mannheim (DE)

(**) **Term:** **14 Years**

(21) **Appl. No.:** **29/220,118**

(22) **Filed:** **Dec. 22, 2004**

(30) **Foreign Application Priority Data**

Dec. 20, 2004 (EM) 000269162

(51) **LOC (8) Cl.** **13-03**

(52) **U.S. Cl.** **D13/164**

(58) **Field of Classification Search** D13/162,
D13/164, 184; D14/217, 396, 400; 318/700,
318/701; 180/315, 316, 325; 361/679, 680,
361/690; 700/90, 160, 17, 83

See application file for complete search history.

(56) **References Cited**

U.S. PATENT DOCUMENTS

4,196,344 A * 4/1980 Kuze 377/2
4,674,928 A * 6/1987 Lyman 409/80
5,250,930 A * 10/1993 Yoshida et al. 345/168
D398,289 S * 9/1998 Burke D13/162

D503,928 S * 4/2005 Obata D13/164
D525,212 S * 7/2006 Kim D13/162
2005/0105232 A1 * 5/2005 Taylor 361/93.1
2005/0133292 A1 * 6/2005 Ginzel et al. 180/315
2006/0243506 A1 * 11/2006 Dolesh et al. 180/89.19

* cited by examiner

Primary Examiner—Selina Sikder

(74) *Attorney, Agent, or Firm*—Michael Best & Friedrich LLP

(57) **CLAIM**

We claim the ornamental design for a controller, as shown and described.

DESCRIPTION

FIG. 1 is a front perspective view of a controller;

FIG. 2 is a front view of the controller shown in FIG. 1;

FIG. 3 is a left side view of the controller shown in FIG. 1;

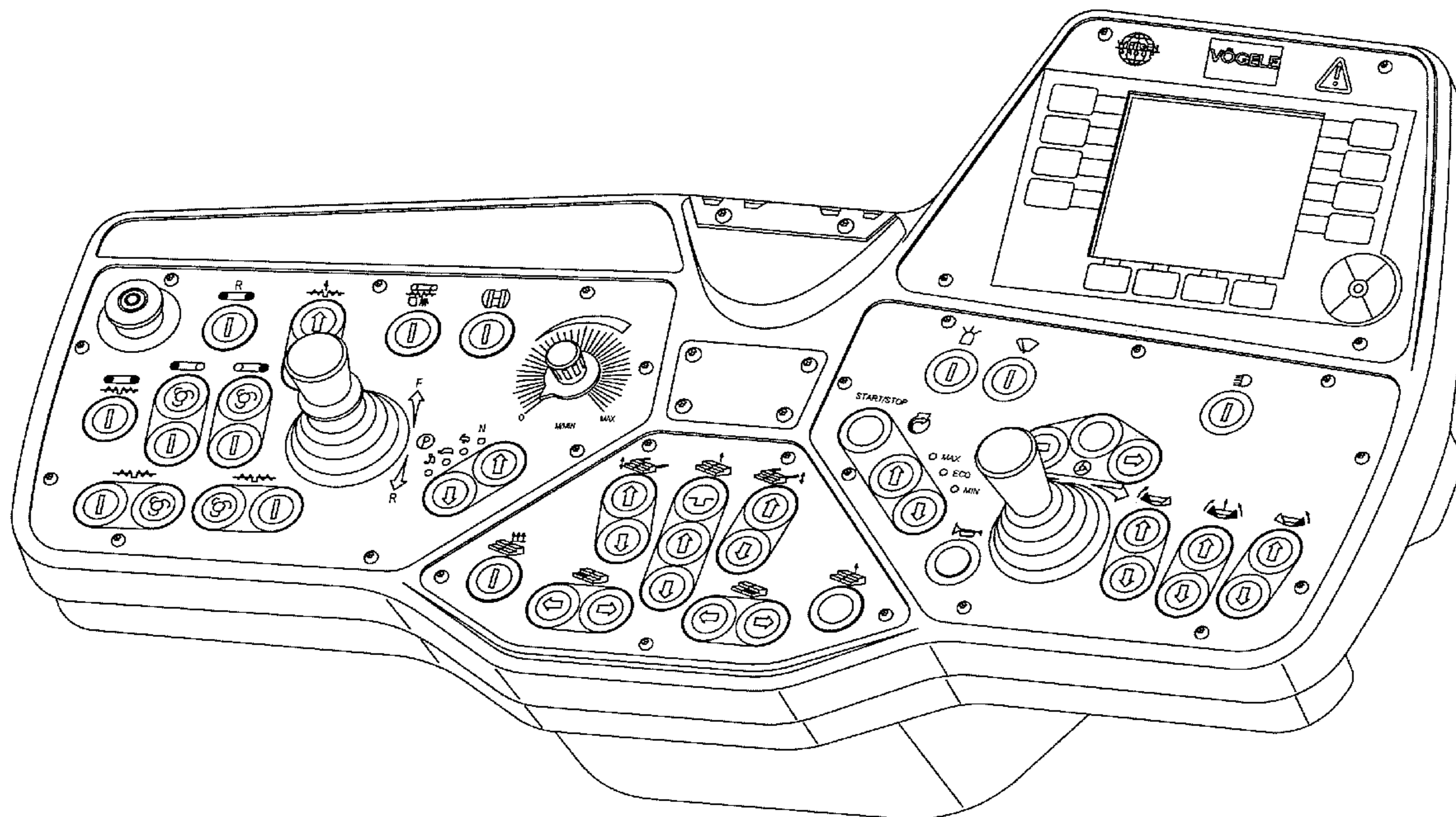
FIG. 4 is a right side view of the controller shown in FIG. 1;

FIG. 5 is a bottom perspective view of the controller shown in FIG. 1;

FIG. 6 is a top view of the controller shown in FIG. 1; and,

FIG. 7 is a bottom view of the controller shown in FIG. 1.

1 Claim, 7 Drawing Sheets



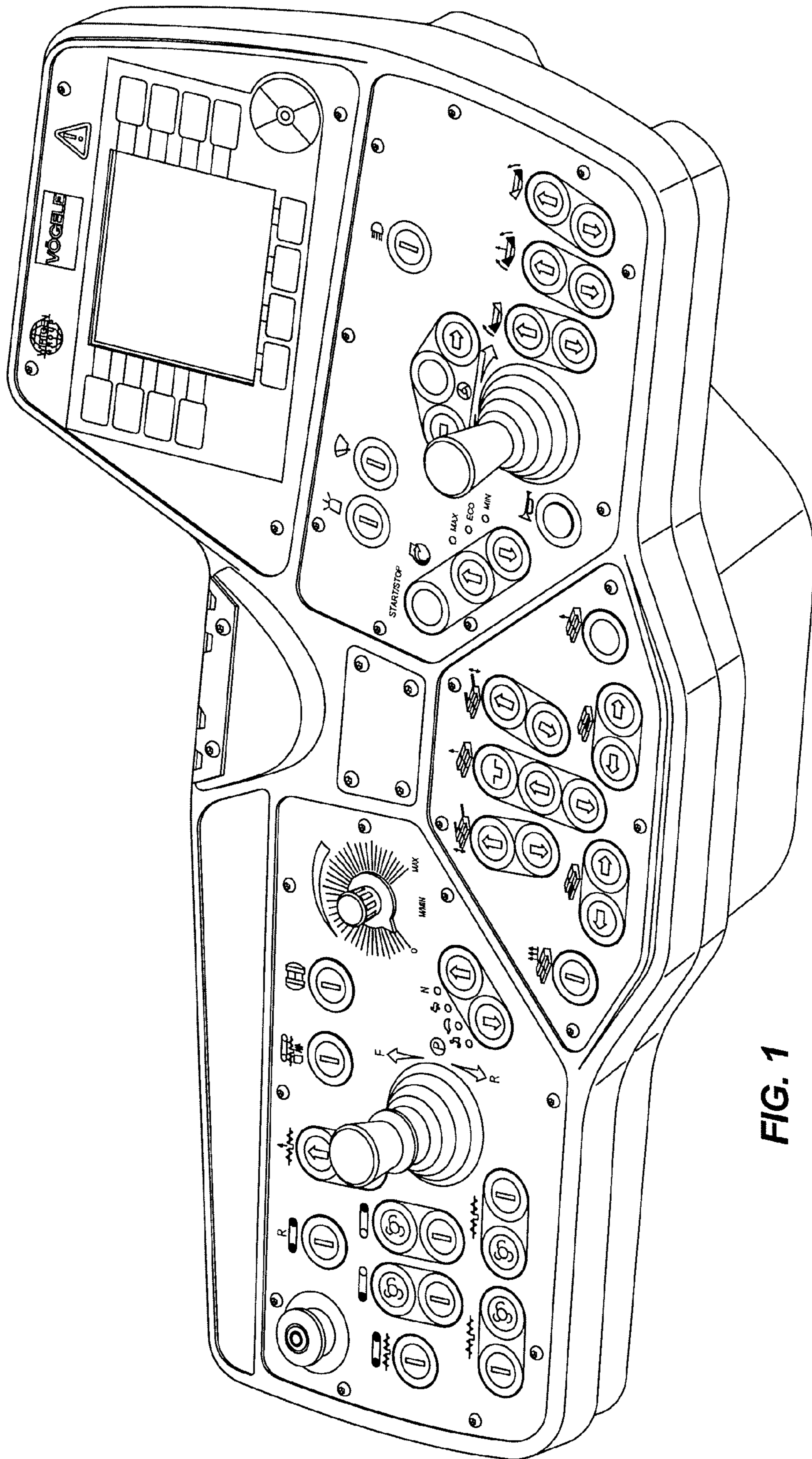


FIG. 1

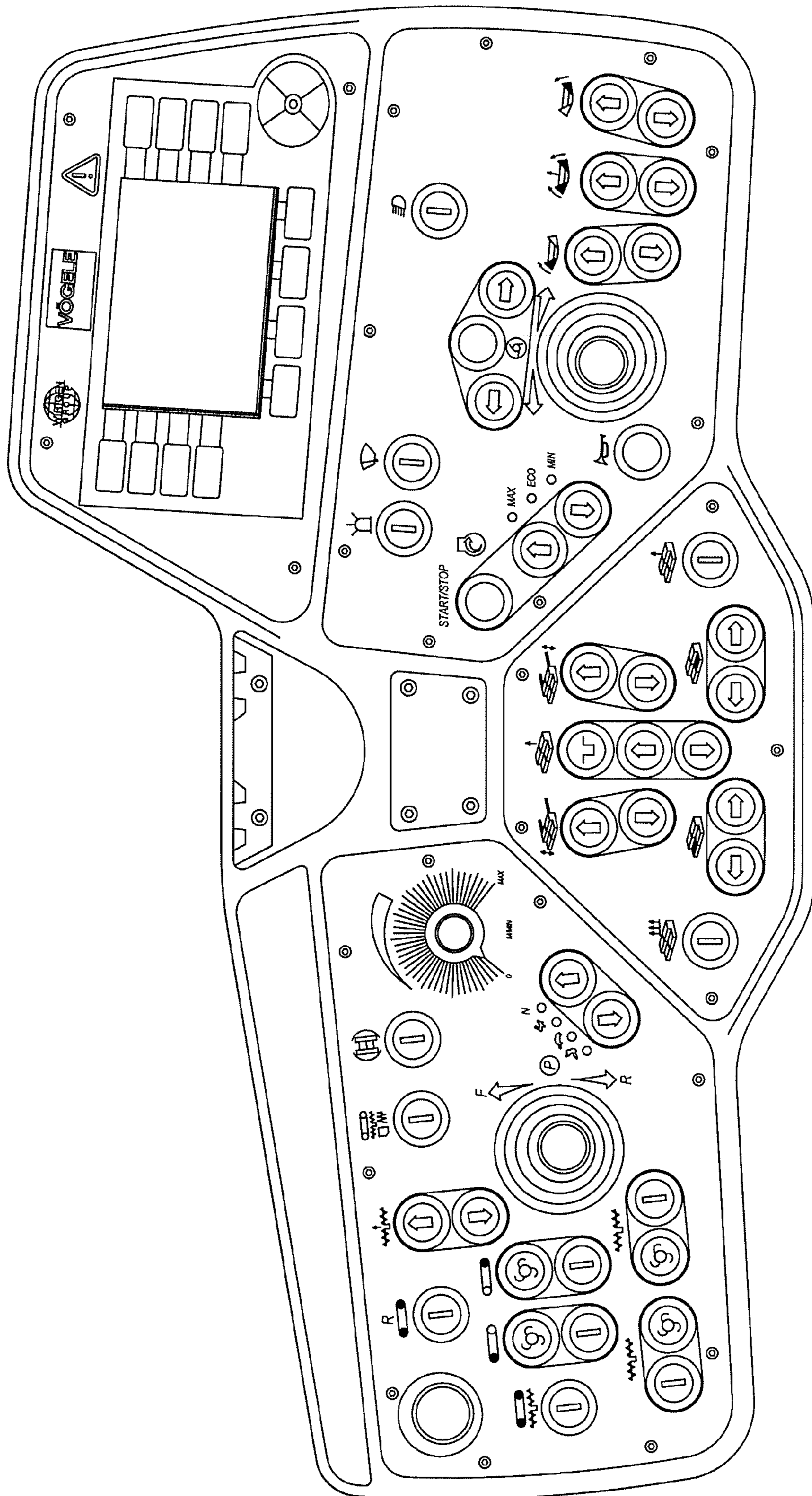


FIG. 2

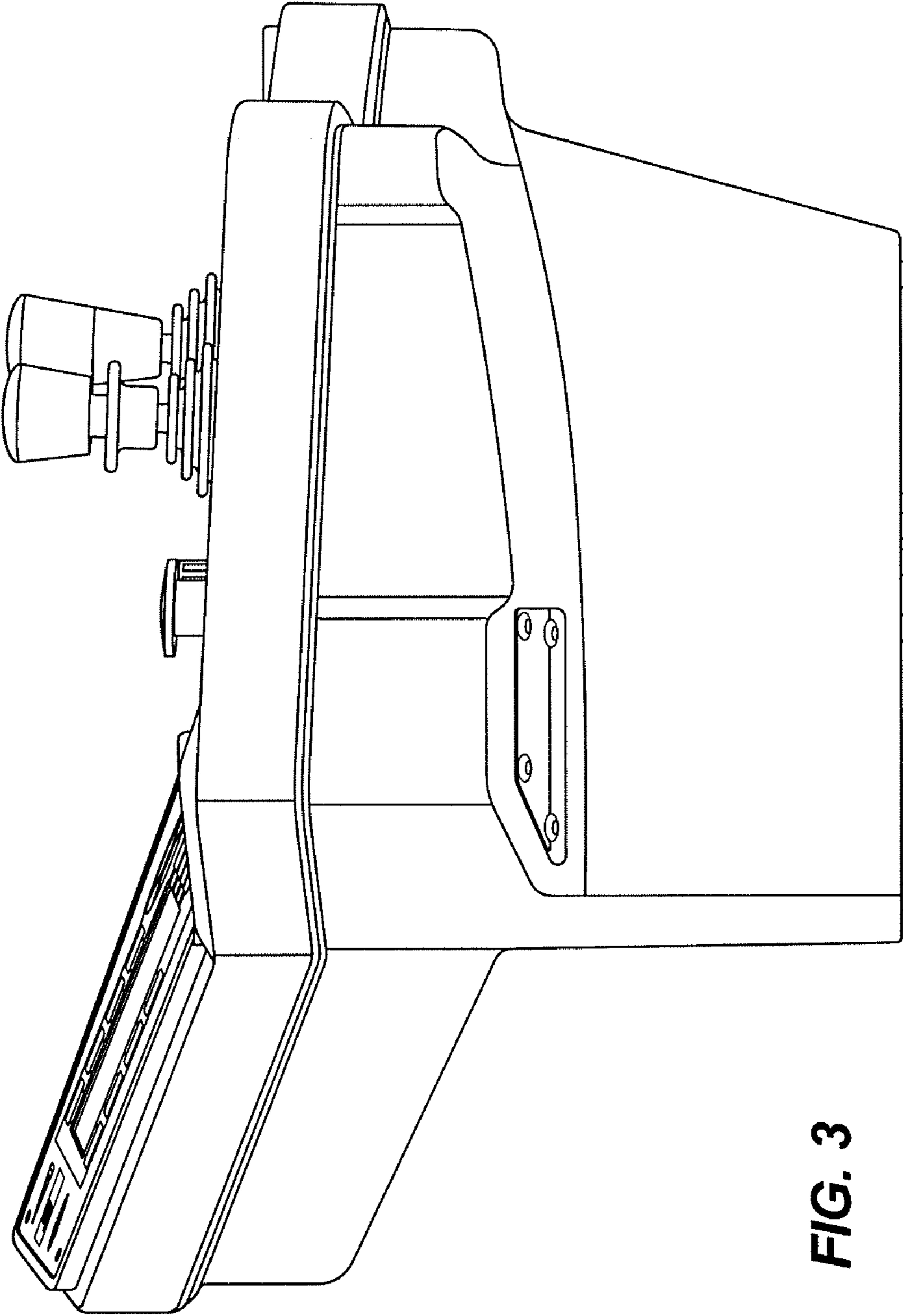


FIG. 3

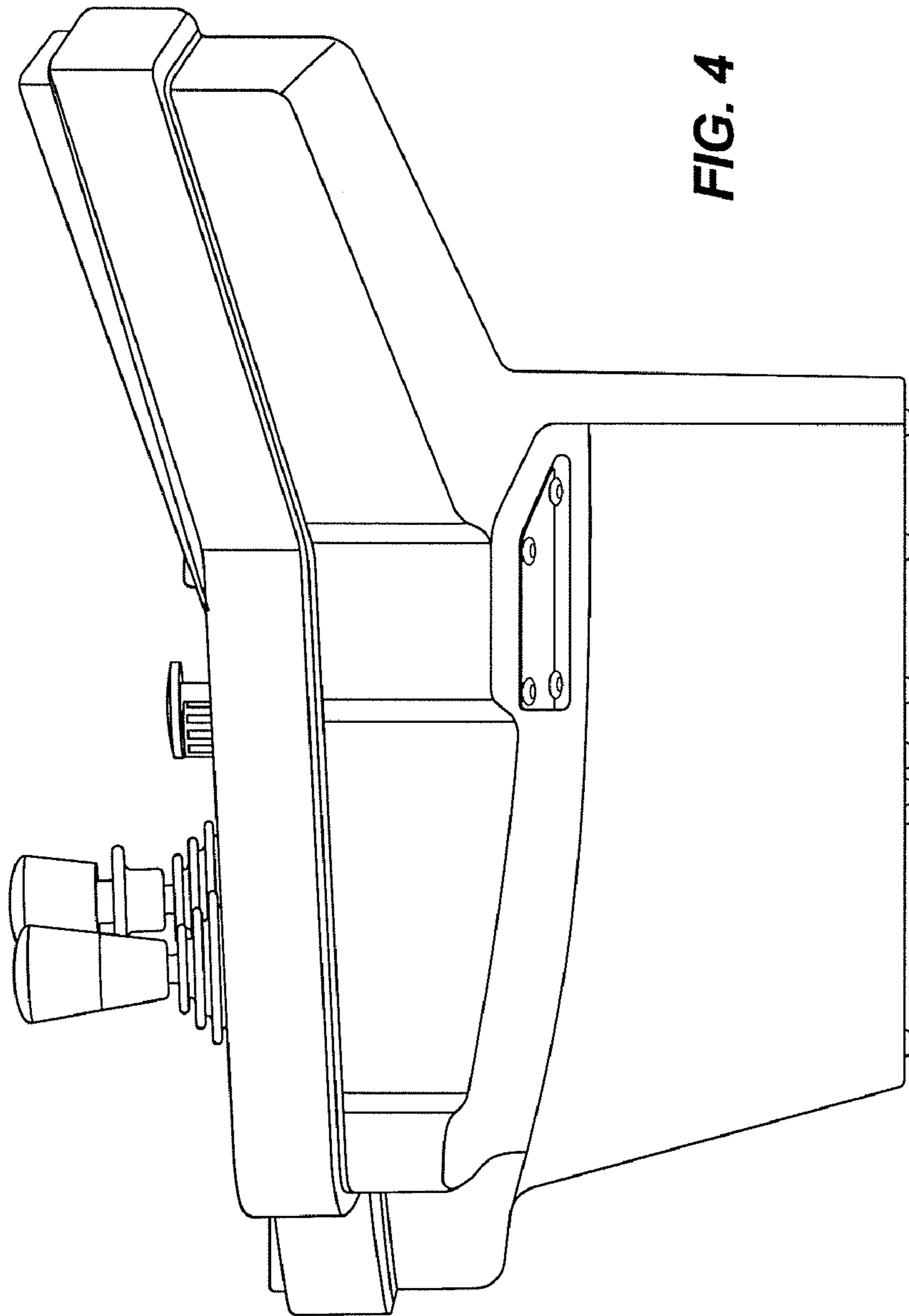


FIG. 4

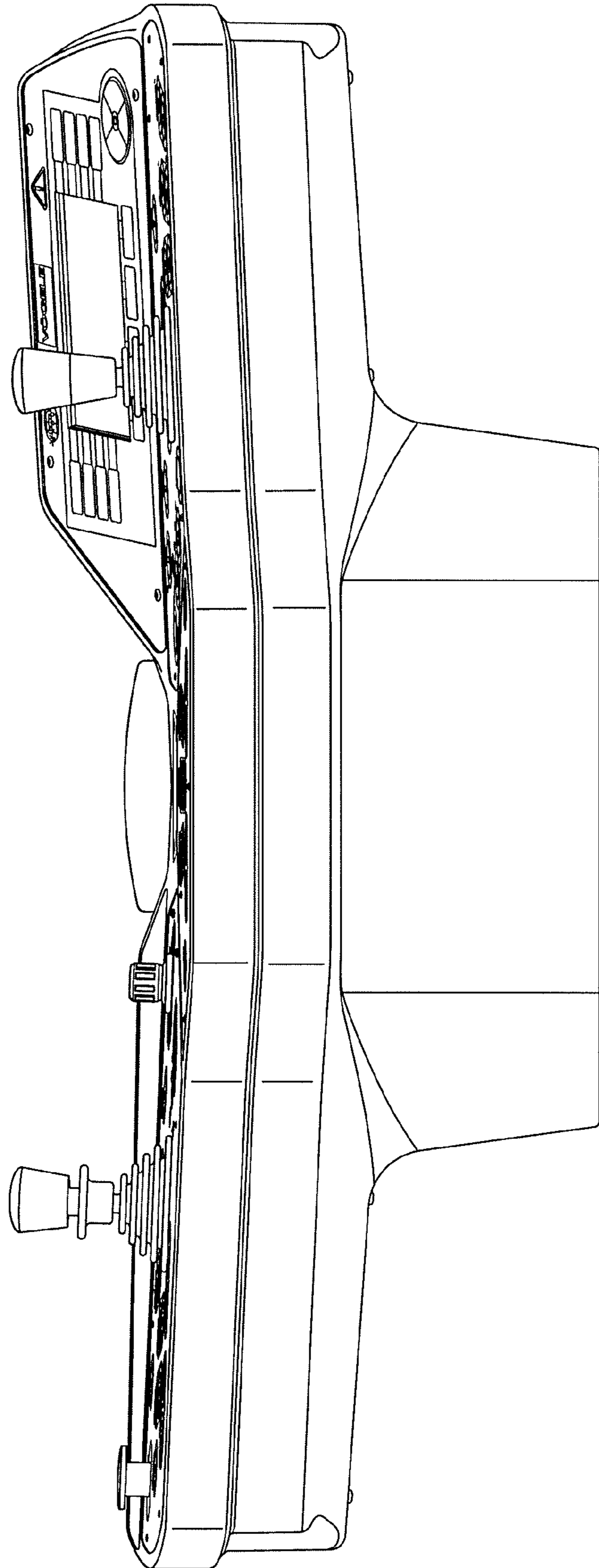


FIG. 5

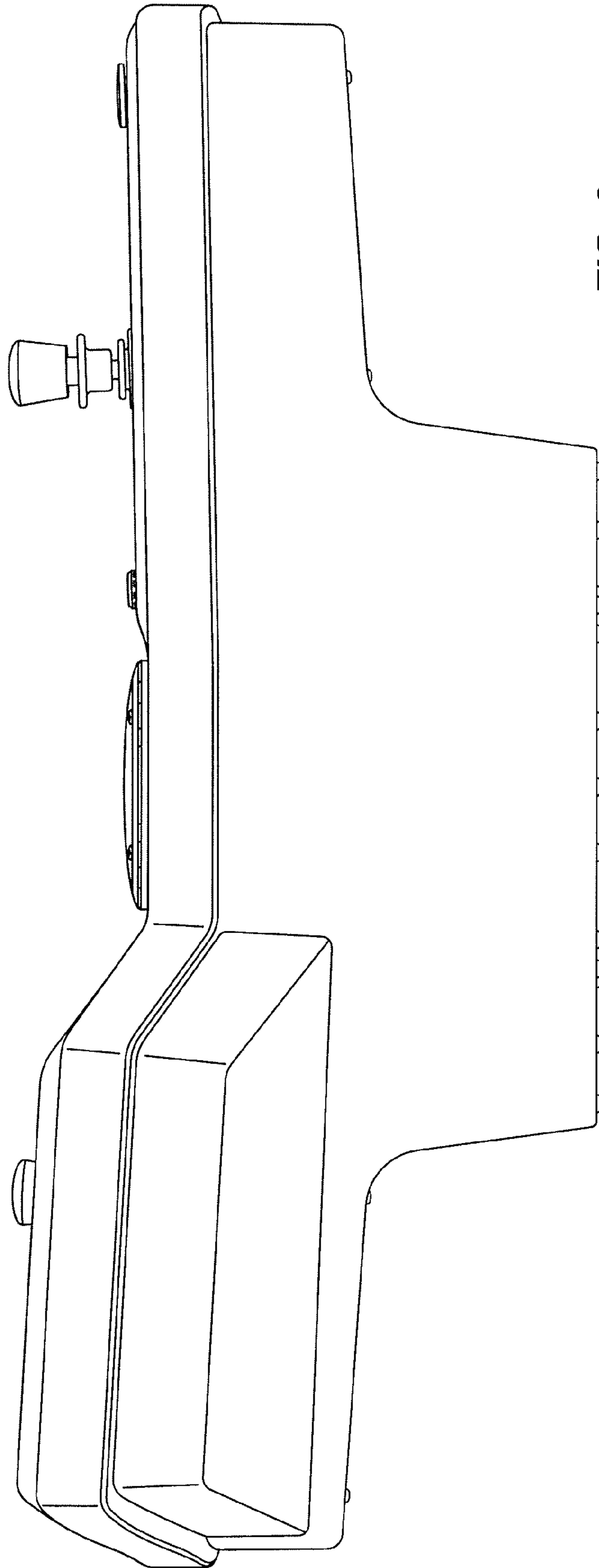


FIG. 6

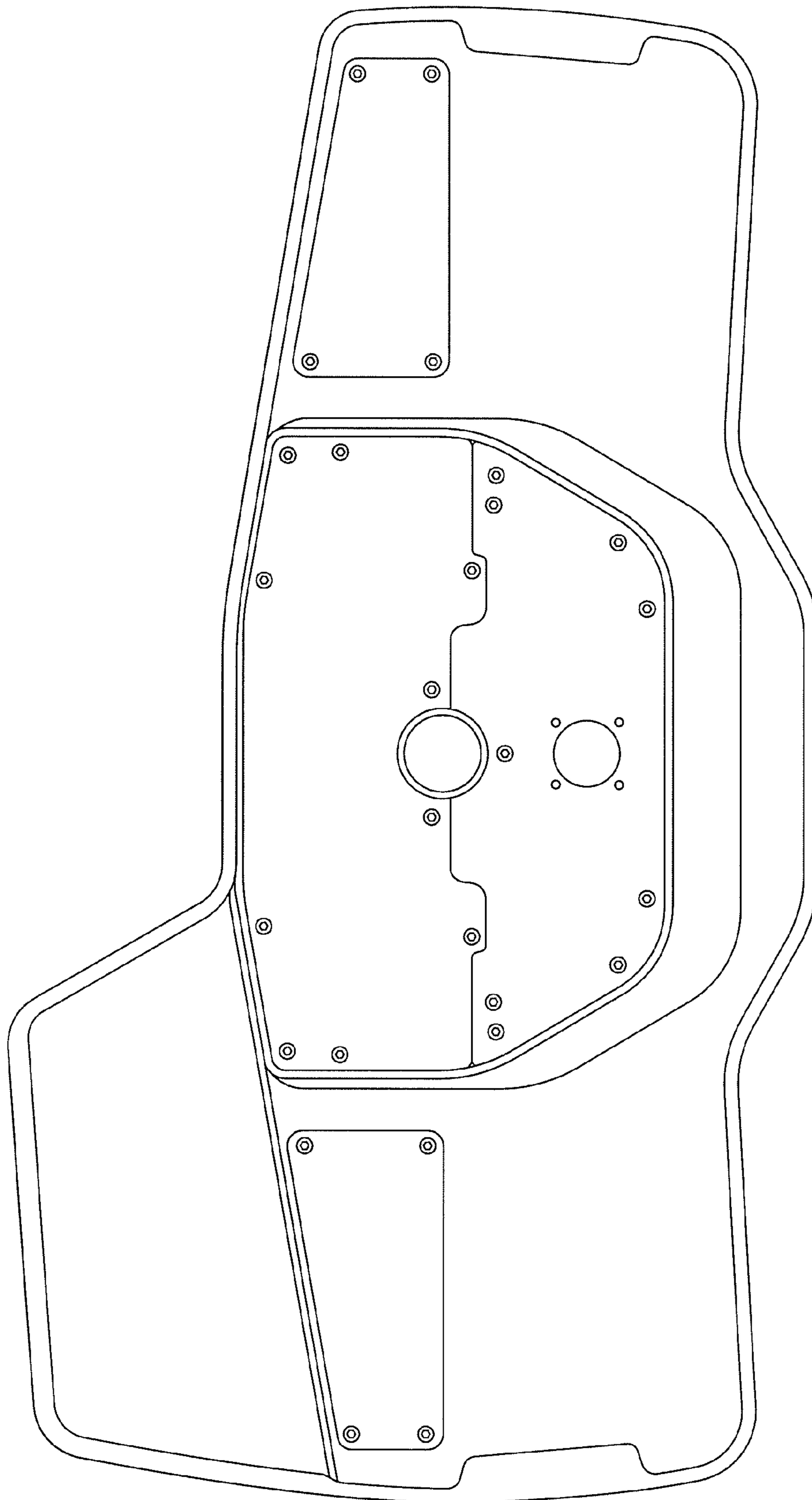


FIG. 7