



US00D557215S

(12) **United States Design Patent**
Kurisaki et al.

(10) **Patent No.:** **US D557,215 S**

(45) **Date of Patent:** **** Dec. 11, 2007**

(54) **PRESSURE SWITCH**

(75) Inventors: **Syogo Kurisaki**, Tsukubamirai (JP);
Ryosuke Takeuchi, Tsukubamirai (JP)

(73) Assignee: **SMC Corporation**, Chiyoda-ku, Tokyo
(JP)

(**) Term: **14 Years**

(21) Appl. No.: **29/270,734**

(22) Filed: **Jan. 3, 2007**

(30) **Foreign Application Priority Data**

Jul. 4, 2006 (JP) 2006-017633

(51) **LOC (8) Cl.** **13-03**

(52) **U.S. Cl.** **D13/158**

(58) **Field of Classification Search** D13/158,
D13/162, 163, 164, 177, 184; D23/233;
D10/85; 200/308, 520, 5 A, 5 R, 83-83 Q,
200/81 R, 81.4; 340/632

See application file for complete search history.

(56) **References Cited**

U.S. PATENT DOCUMENTS

3,786,210 A * 1/1974 Byam 200/81.4
3,916,130 A * 10/1975 Cade 200/83 C
4,081,621 A * 3/1978 Hartley 200/83 Q
D280,501 S * 9/1985 Walters D13/158
4,626,636 A * 12/1986 Hickman et al. 200/83 P

D308,193 S * 5/1990 Gaalswyk D13/158
D430,268 S * 8/2000 Hiramatsu et al. D23/233
D437,295 S * 2/2001 Gunji et al. D13/158
D456,290 S * 4/2002 Gunji et al. D10/85
D497,145 S * 10/2004 Seo D13/158
7,071,832 B2 * 7/2006 Miyamoto et al. 340/632
7,186,934 B2 * 3/2007 Nakajima 200/81 R
2004/0187585 A1 * 9/2004 Miyamoto et al. 73/700

* cited by examiner

Primary Examiner—Selina Sikder

Assistant Examiner—Thomas J Johannes

(74) *Attorney, Agent, or Firm*—Peter Ganjian

(57) **CLAIM**

The ornamental design for a pressure switch, as shown and described.

DESCRIPTION

FIG. 1 shows a front view of a pressure switch showing my new design;

FIG. 2 shows a rear view thereof;

FIG. 3 shows a top view thereof;

FIG. 4 shows a bottom view thereof;

FIG. 5 shows a left side view thereof;

FIG. 6 shows a right side view thereof; and,

FIG. 7 shows a perspective view thereof.

1 Claim, 4 Drawing Sheets

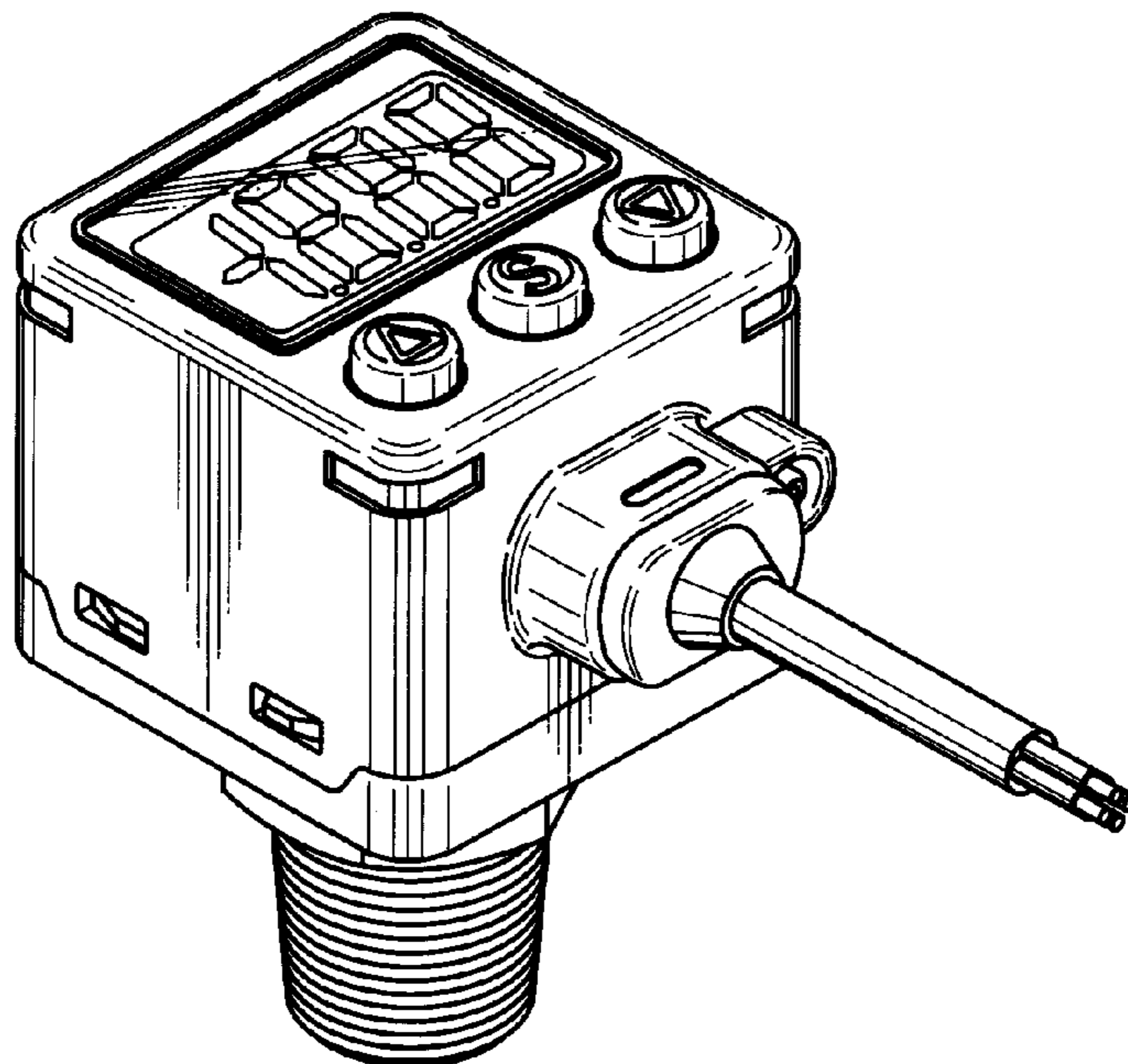


FIG. 1

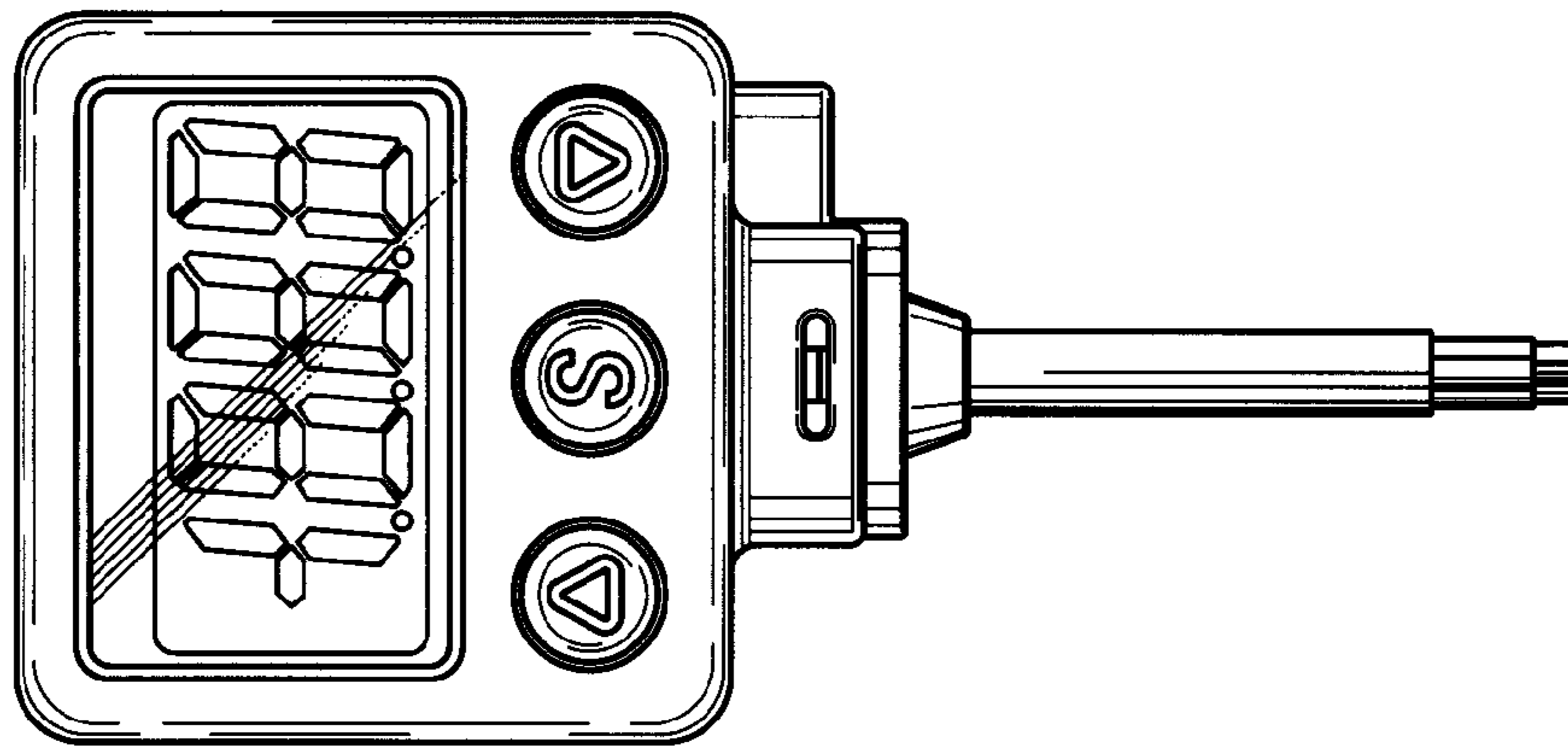


FIG. 2

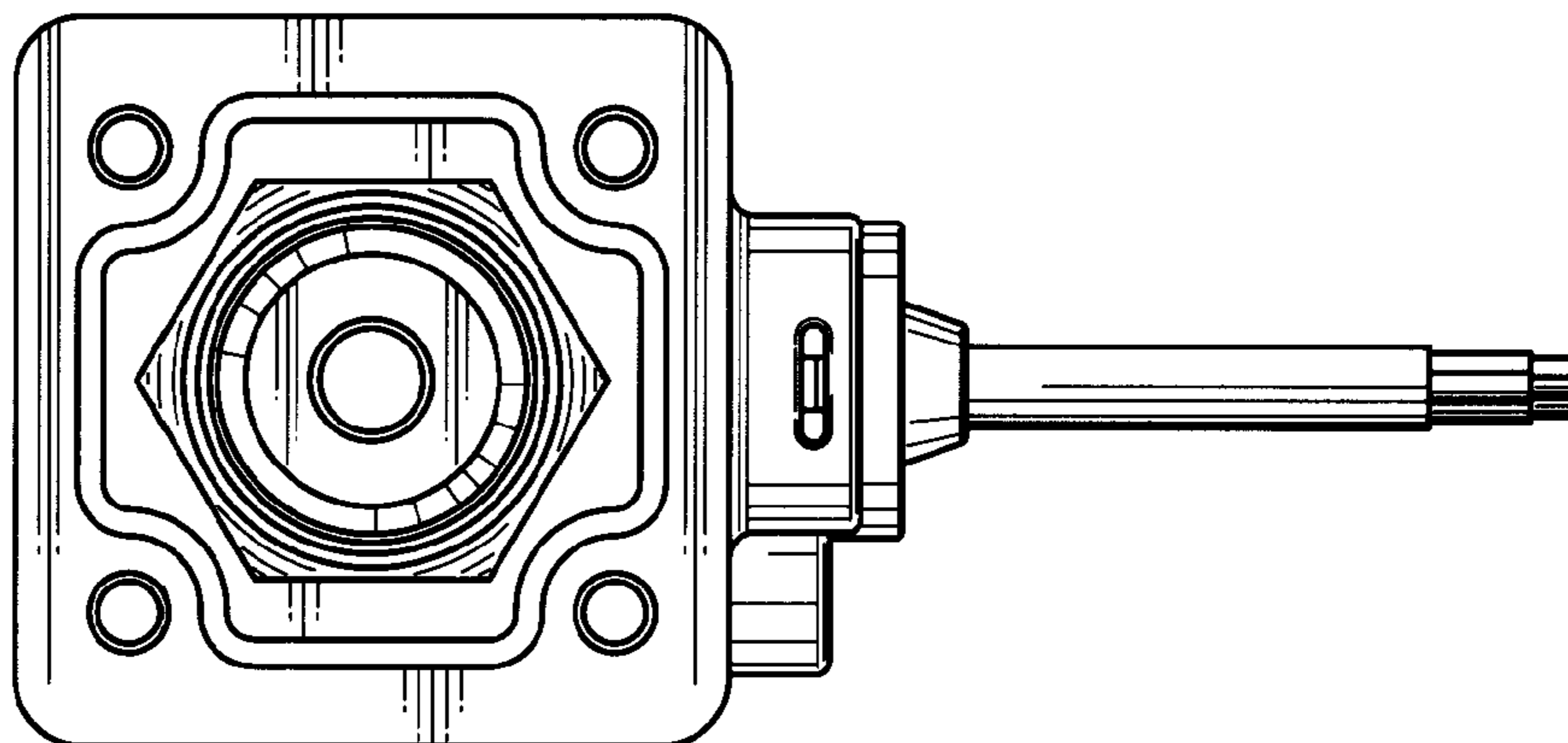


FIG. 3

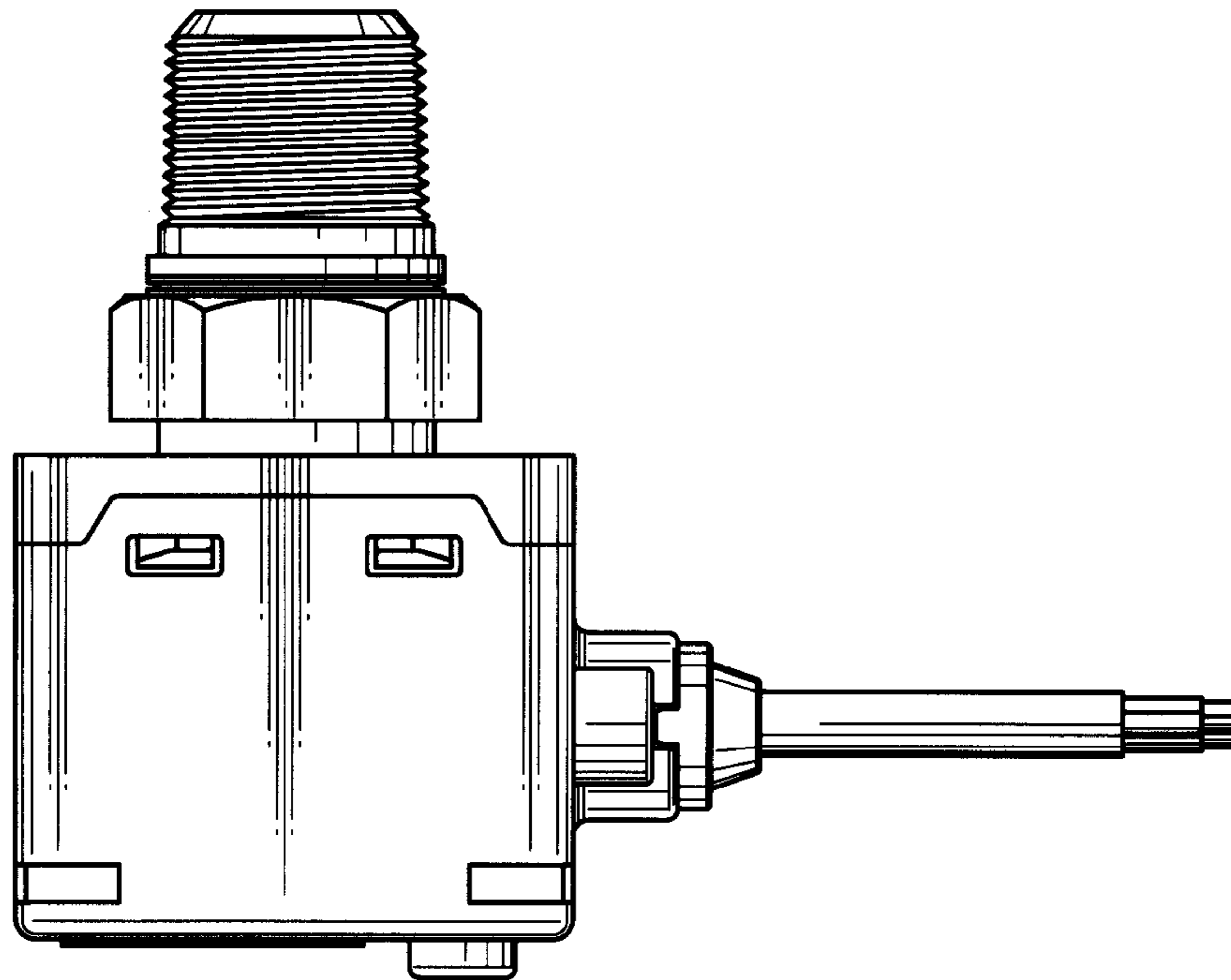


FIG. 4

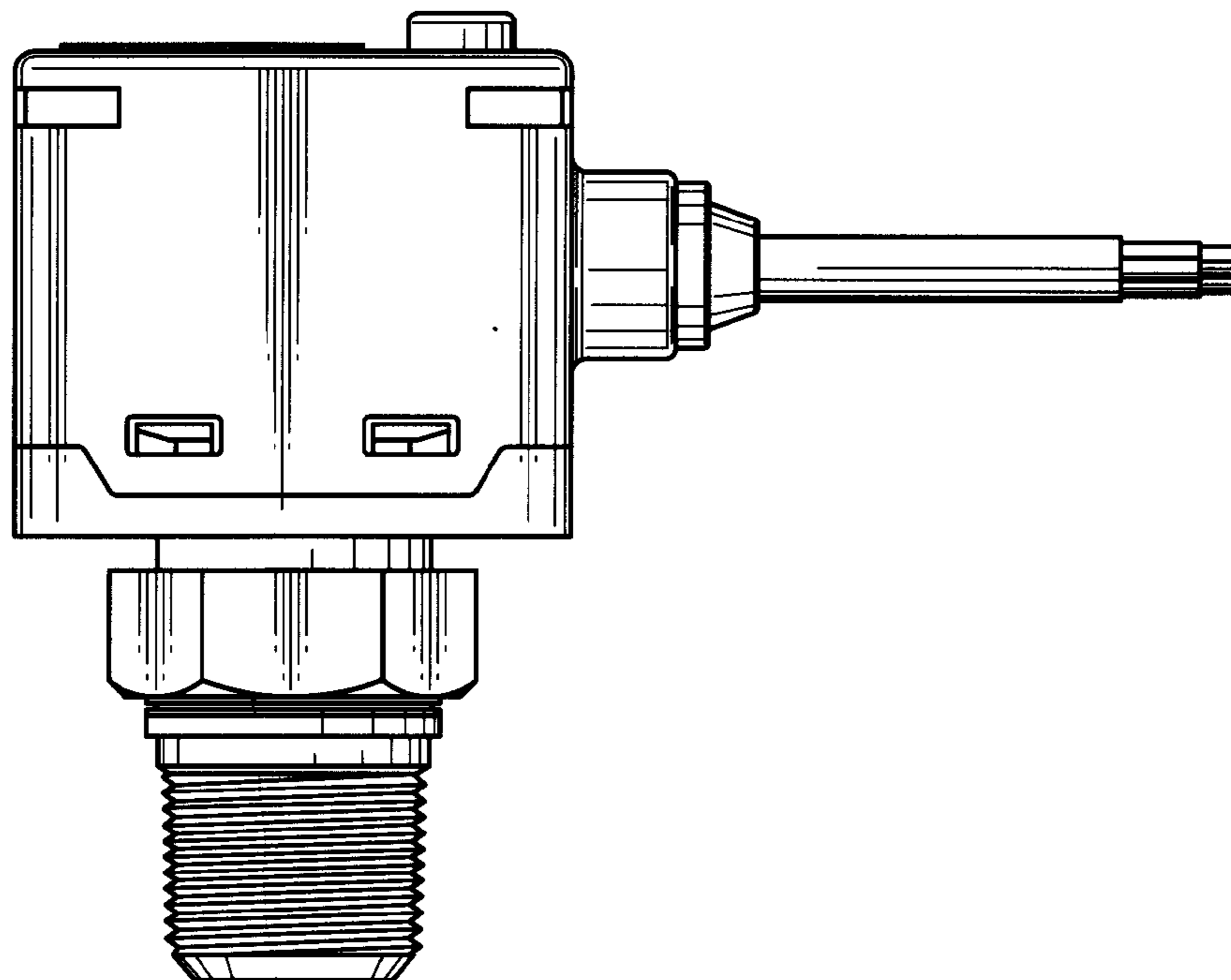


FIG. 5

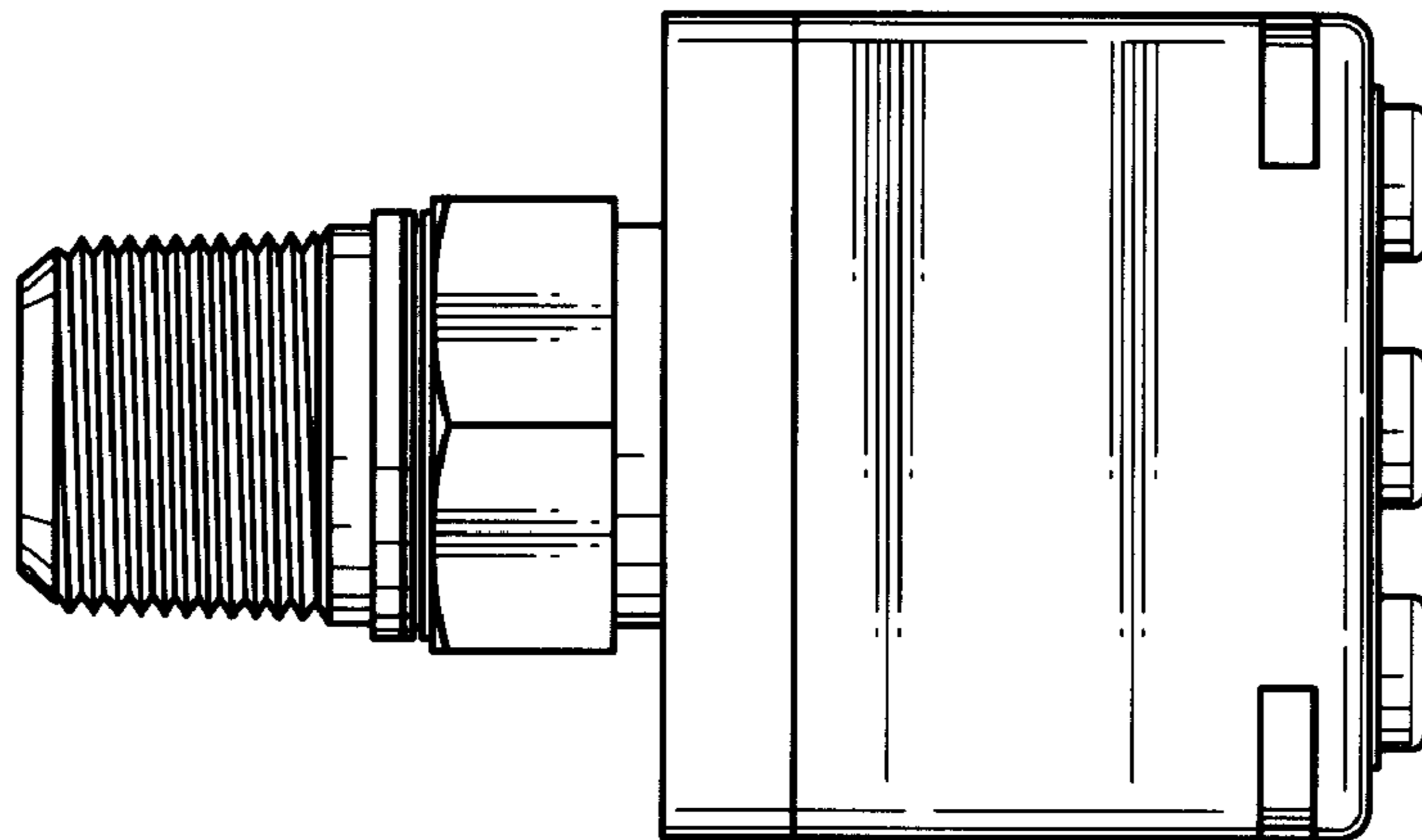


FIG. 6

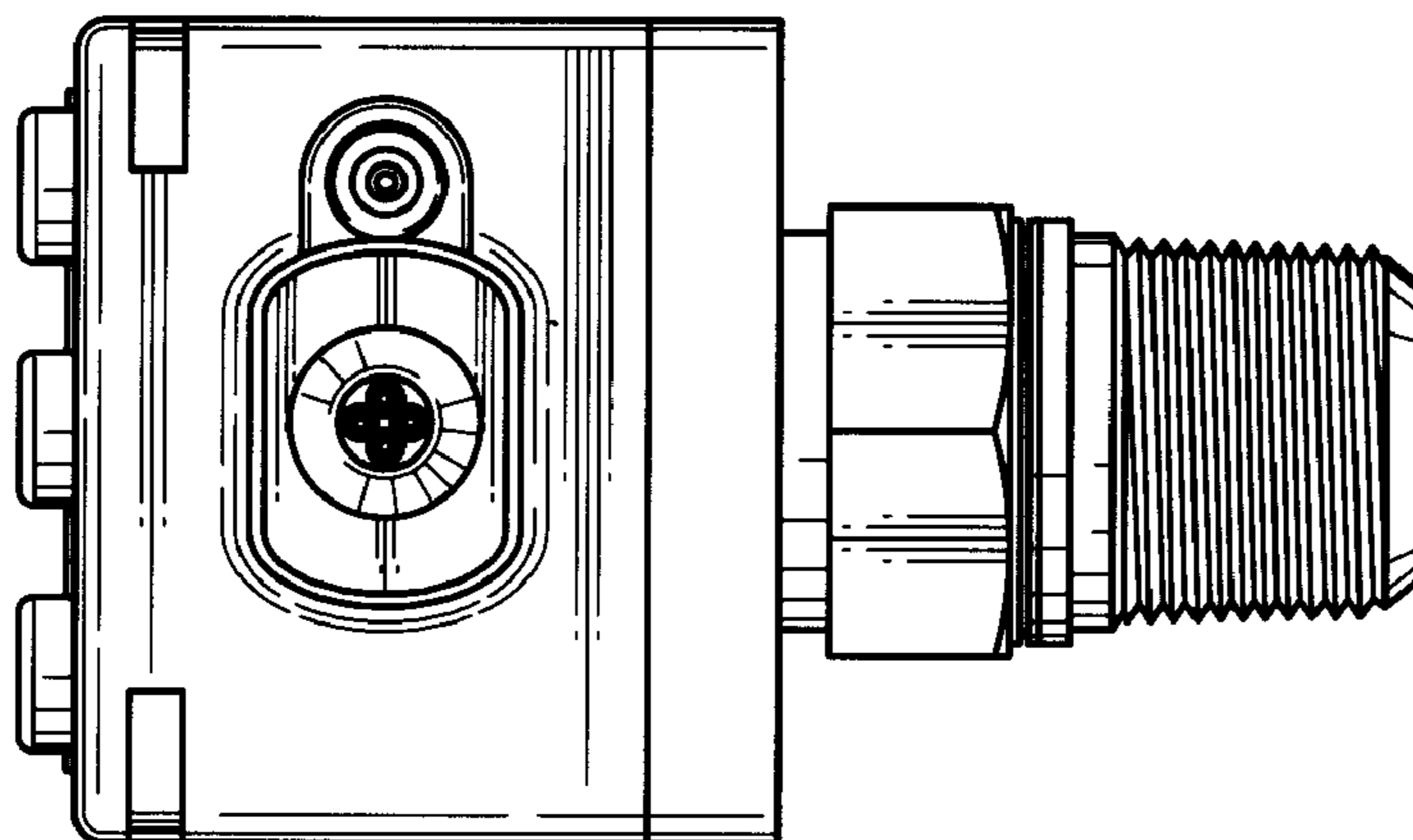


FIG. 7

