



US00D557214S

(12) **United States Design Patent**
Provenzano

(10) **Patent No.:** **US D557,214 S**

(45) **Date of Patent:** **** Dec. 11, 2007**

(54) **UNIVERSAL VGA FACE PLATE**

7,083,466 B1 * 8/2006 Hwang 439/536

(75) Inventor: **Charles J. Provenzano**, Houston, TX (US)

* cited by examiner

(73) Assignee: **Direct Connect**, Houston, TX (US)

Primary Examiner—Daniel Bui
(74) *Attorney, Agent, or Firm*—Mark E. Scott; Conley Rose, P.C

(**) Term: **14 Years**

(21) Appl. No.: **29/218,293**

(57) **CLAIM**

(22) Filed: **Nov. 30, 2004**

The ornamental design for a universal VGA face plate, as shown and described.

(51) **LOC (8) Cl.** **13-03**

(52) **U.S. Cl.** **D13/154; D13/147; D13/156**

(58) **Field of Classification Search** D13/154, D13/146–147, 156, 158, 162, 170, 173, 177, D13/184, 199; 439/135–136, 499, 521, 535–536, 439/650, 652, 660, 668, 682, 692, 678–680
See application file for complete search history.

DESCRIPTION

(56) **References Cited**

U.S. PATENT DOCUMENTS

D310,814 S *	9/1990	Rosenbaum et al.	D13/158
D380,452 S *	7/1997	Mix et al.	D13/171
D399,495 S *	10/1998	Bachschmid	D13/177
D430,114 S *	8/2000	Bachschmid et al.	D13/177
6,923,663 B2 *	8/2005	Oddsens et al.	439/107

FIG. 1 is a front perspective view of a universal VGA face plate, showing my new design;

FIG. 2 is a back perspective view thereof;

FIG. 3 is a front elevation view thereof;

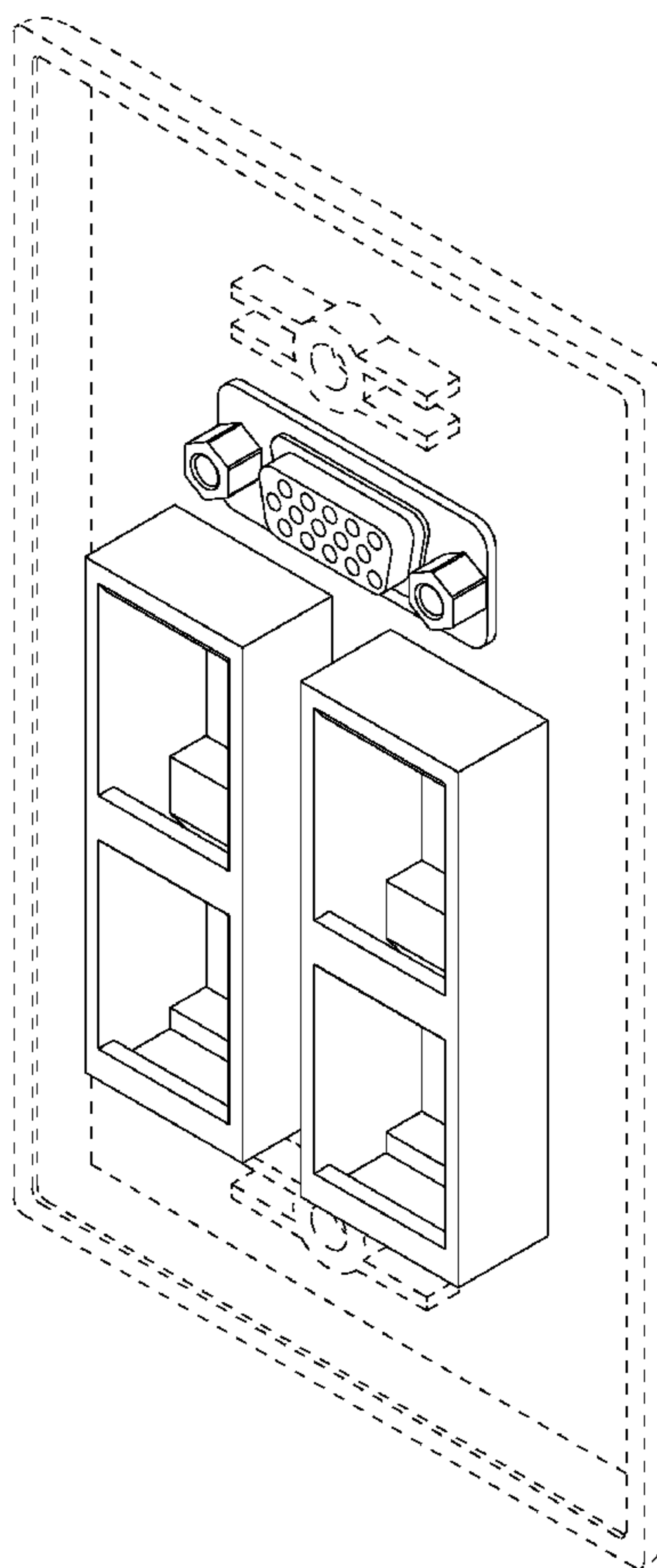
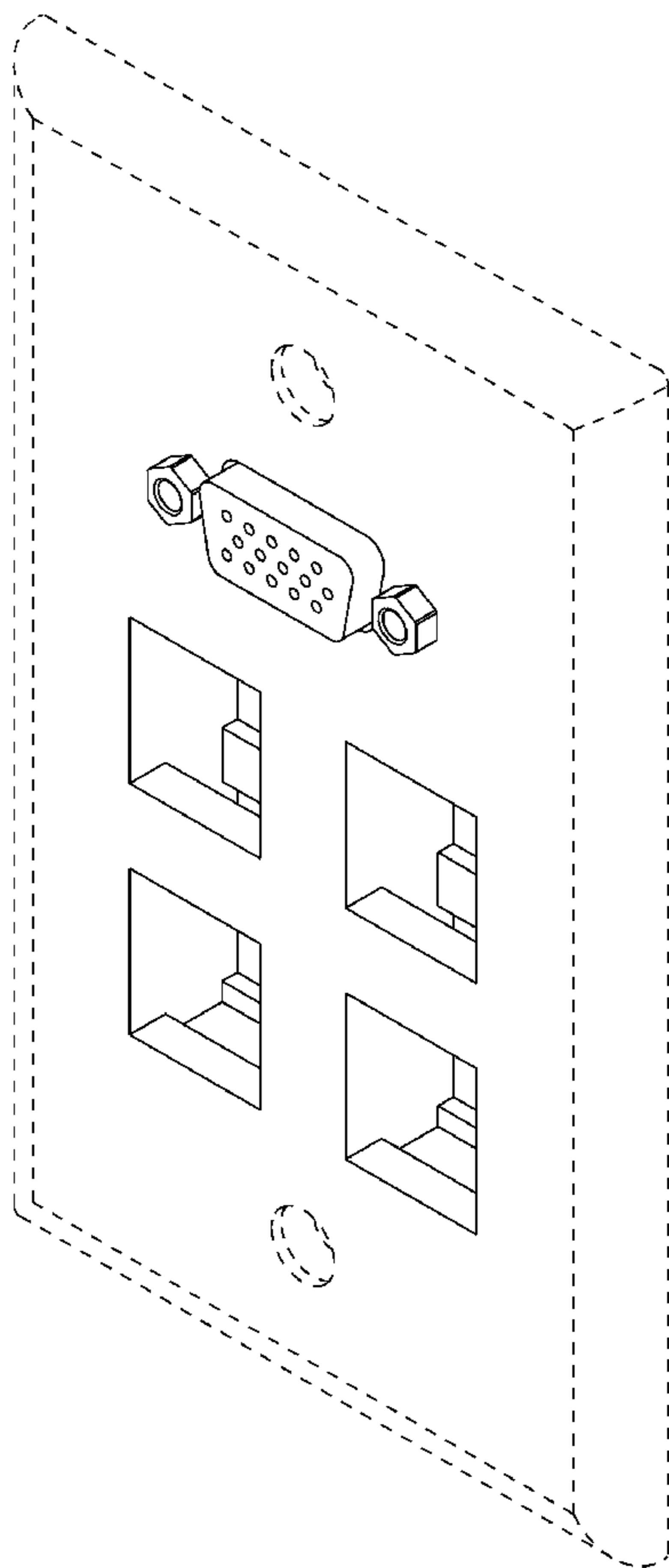
FIG. 4 is a back elevation view thereof;

FIG. 5 is a right side elevation view thereof, the left side elevation view is a mirror image thereto; and,

FIG. 6 is a top elevation view thereof.

The broken line showing of the environment is for illustrative purposes only and forms no part of the claimed design.

1 Claim, 5 Drawing Sheets



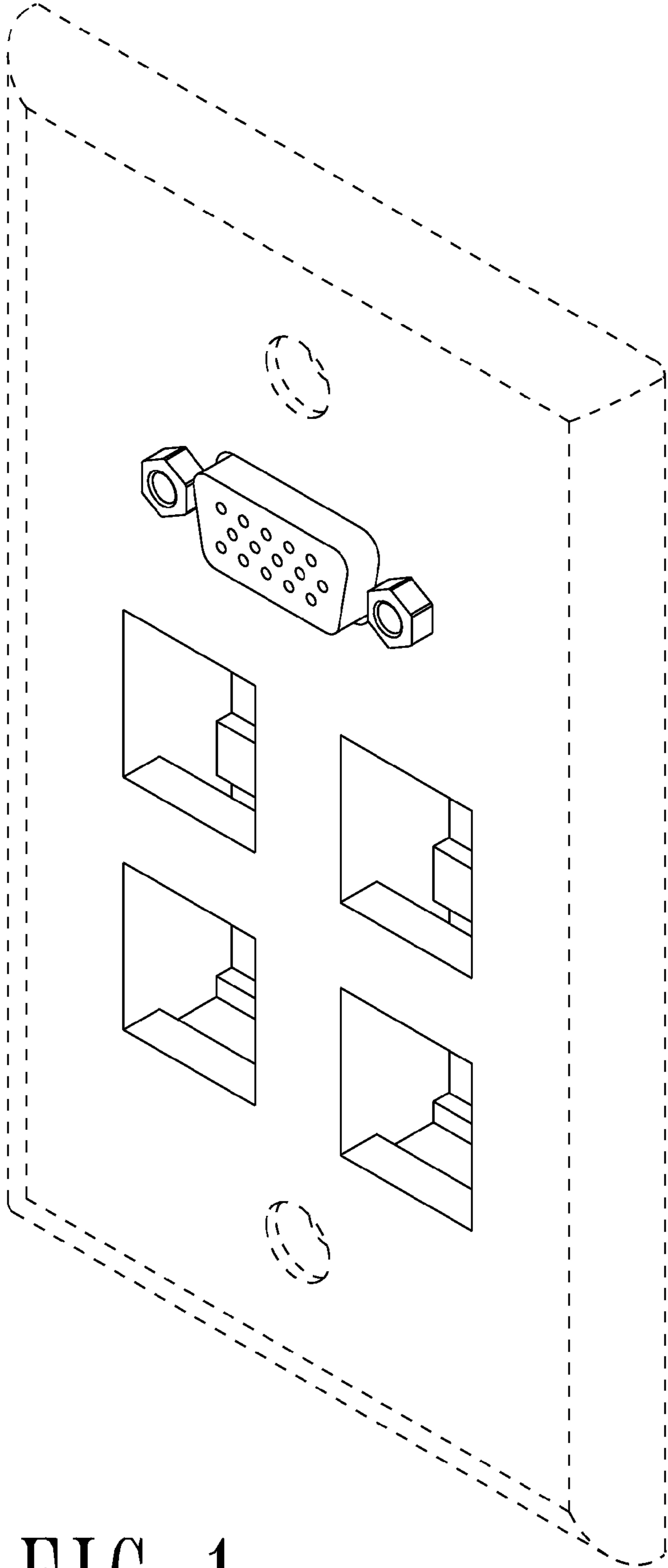


FIG 1

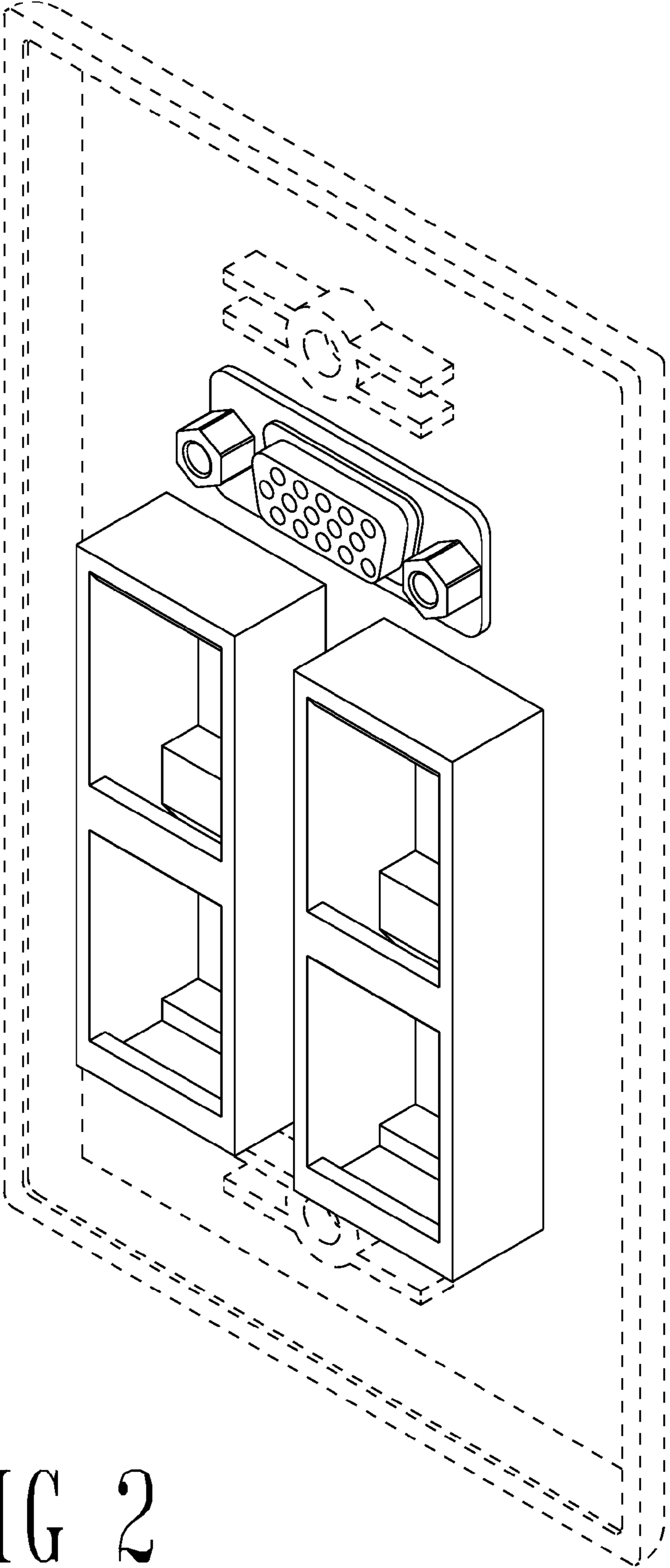


FIG 2

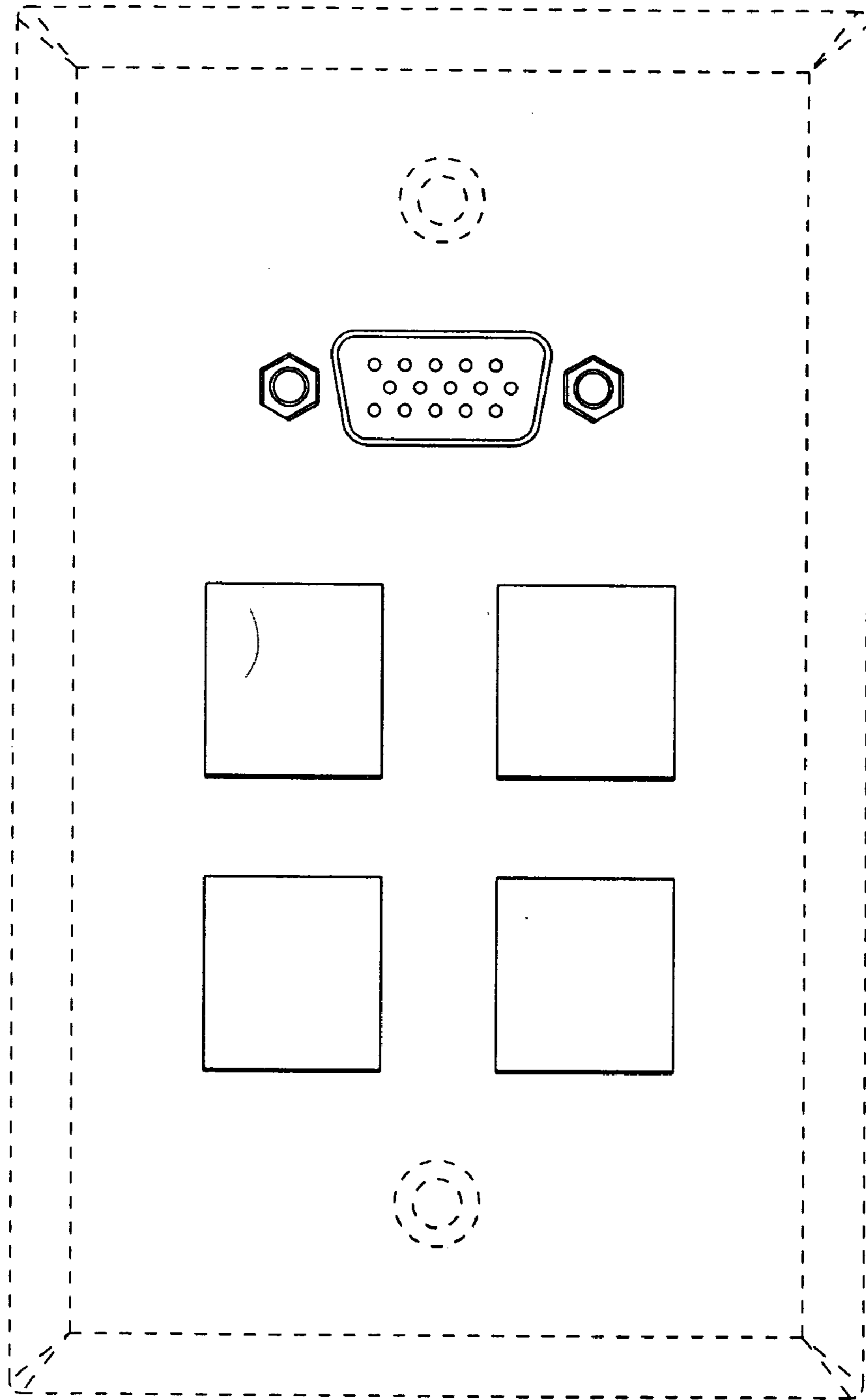


FIG 3

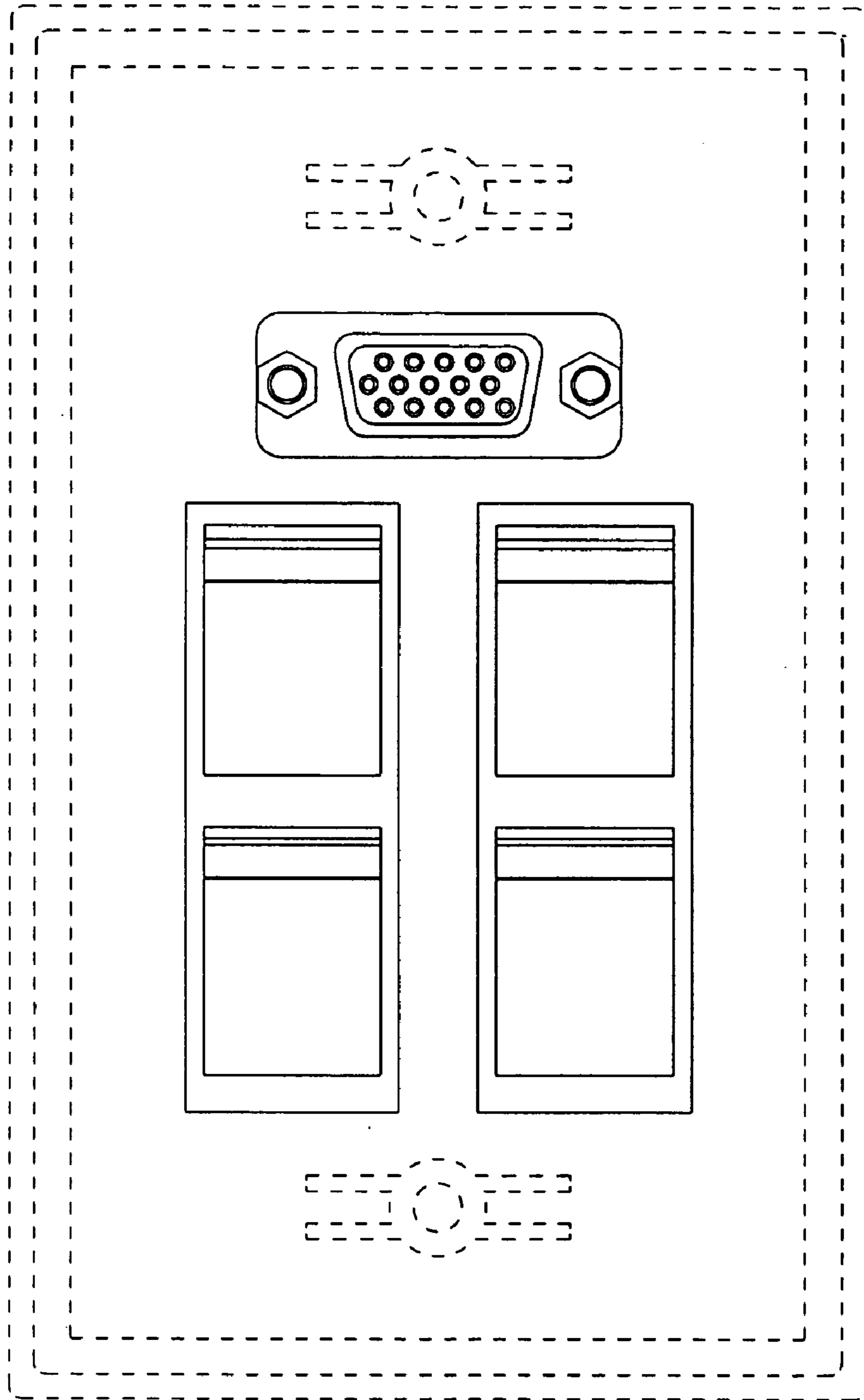


FIG 4

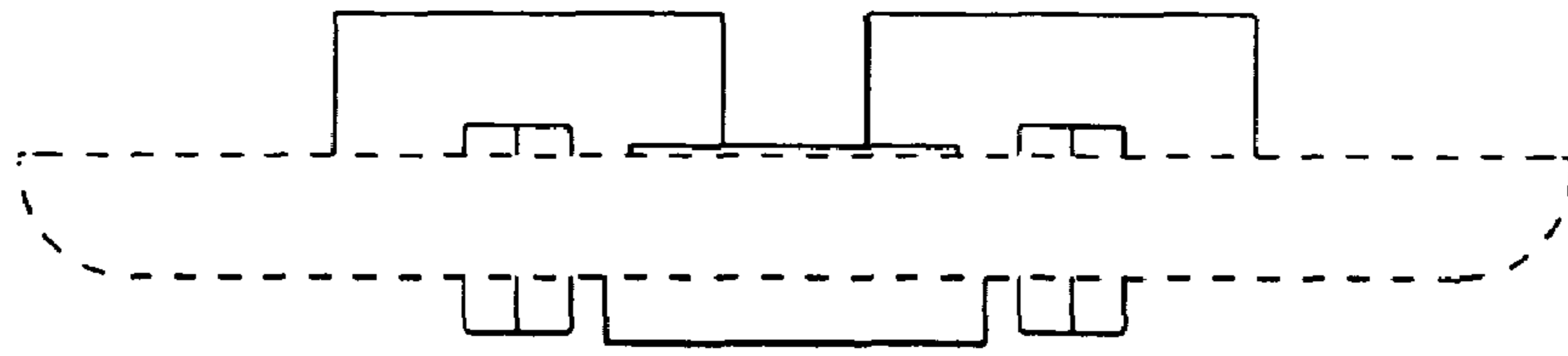


FIG 6

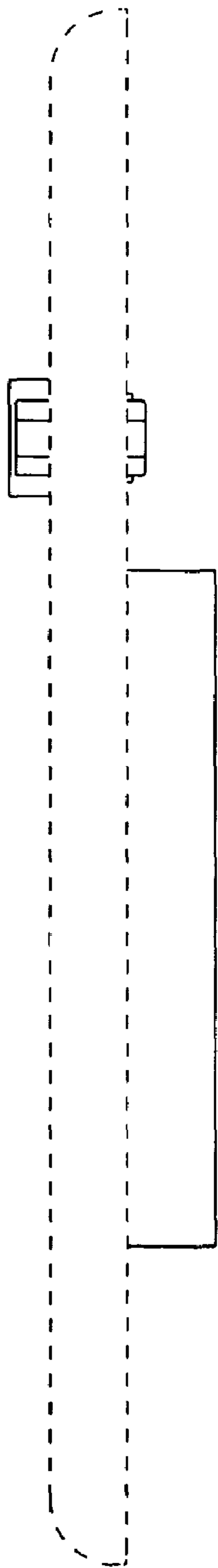


FIG 5