



US00D557213S

(12) **United States Design Patent**
Wang

(10) **Patent No.:** **US D557,213 S**

(45) **Date of Patent:** **** Dec. 11, 2007**

(54) **TWIN COAXIAL RF CONNECTOR**

2007/0026731 A1* 2/2007 Gherardini 439/578

(75) Inventor: **Chien Chung Wang**, Taipei (TW)

* cited by examiner

(73) Assignee: **Advanced Connectek Inc.**, Hsin-Tien, Taipei (TW)

Primary Examiner—Daniel Bui

(**) Term: **14 Years**

(57) **CLAIM**

(21) Appl. No.: **29/238,679**

The ornamental design for a twin coaxial RF connector, as shown and described.

(22) Filed: **Sep. 20, 2005**

DESCRIPTION

(51) **LOC (8) Cl.** **13-03**

(52) **U.S. Cl.** **D13/133**

(58) **Field of Classification Search** D13/133,
D13/146–147, 154, 184, 199; 439/540.1,
439/578–585, 604, 620.03

See application file for complete search history.

FIG. 1 is a perspective view of a twin coaxial RF connector showing my new design;

FIG. 2 is a front elevation view of the twin coaxial RF connector shown in FIG. 1;

FIG. 3 is a rear elevation view of the twin coaxial RF connector shown in FIG. 1;

FIG. 4 is a left elevation view of the twin coaxial RF connector shown in FIG. 1;

FIG. 5 is a right elevation view of the twin coaxial RF connector shown in FIG. 1;

FIG. 6 is a top plan view of the twin coaxial RF connector shown in FIG. 1; and,

FIG. 7 is a bottom plan view of the twin coaxial RF connector shown in FIG. 1.

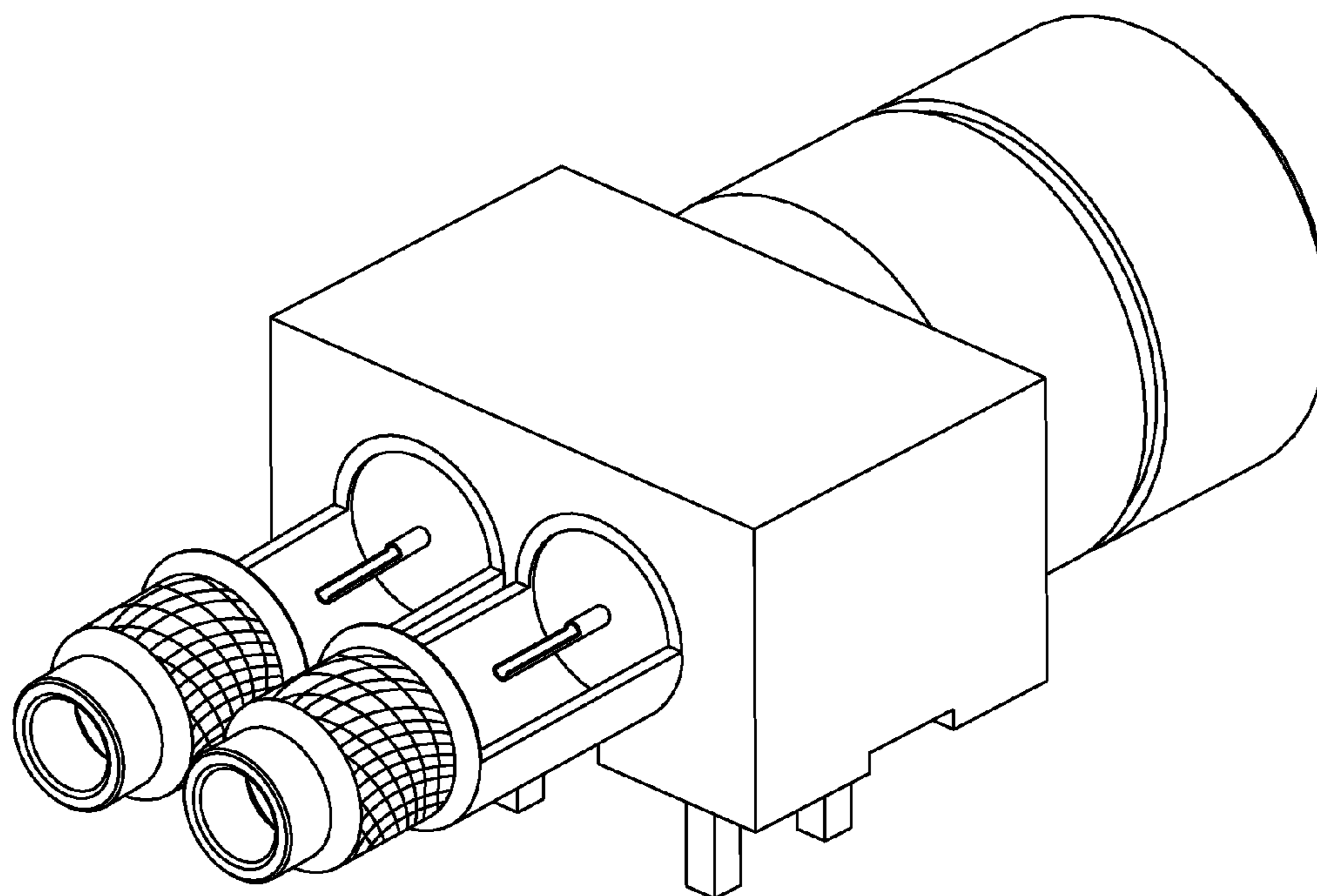
The broken line showing in FIG. 3 is for the illustrative purpose and forms no part of the claimed design.

(56) **References Cited**

U.S. PATENT DOCUMENTS

D314,941 S *	2/1991	Amachi et al.	D13/133
D316,082 S *	4/1991	Gartwhaite	D13/151
D317,905 S *	7/1991	Garthwaite	D13/151
5,078,623 A *	1/1992	Wang	439/620.21
5,219,297 A *	6/1993	Stein et al.	439/188
5,681,186 A *	10/1997	Wright	439/675
5,735,711 A *	4/1998	Fremgen	439/578
6,676,443 B1 *	1/2004	Wang	439/541.5
2004/0137789 A1 *	7/2004	Feuerreiter et al.	439/578

1 Claim, 4 Drawing Sheets



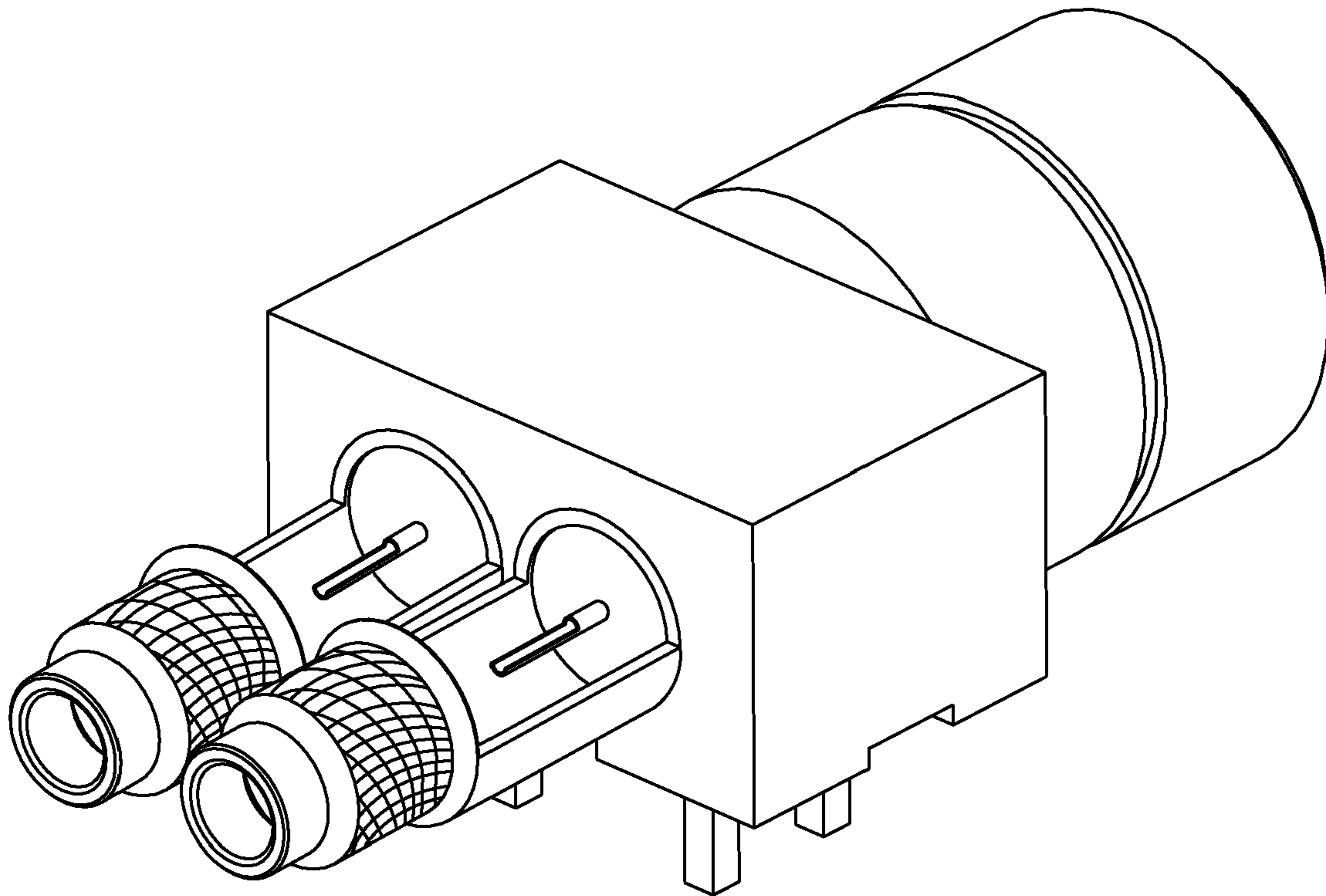


FIG.1

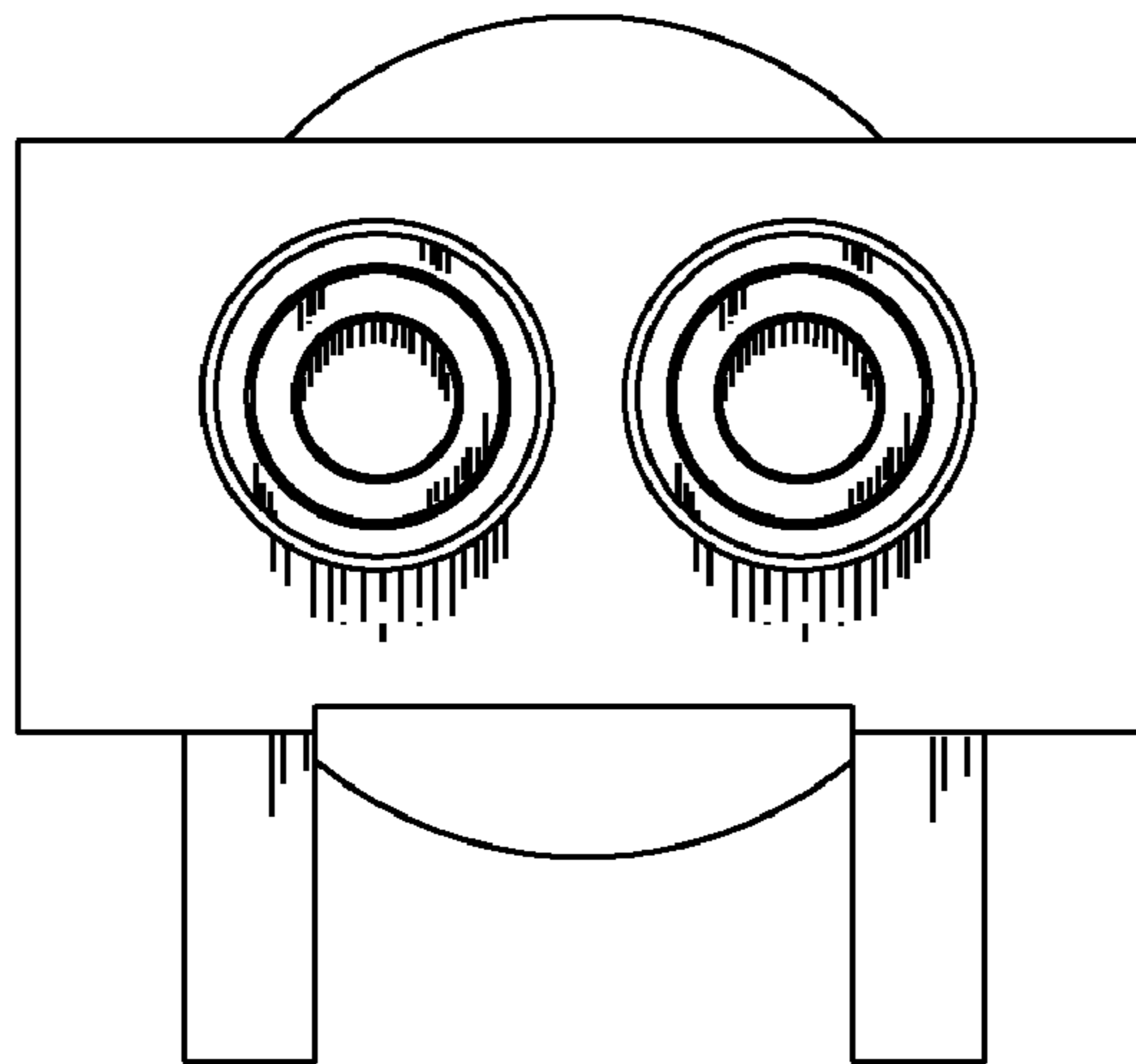


FIG. 2

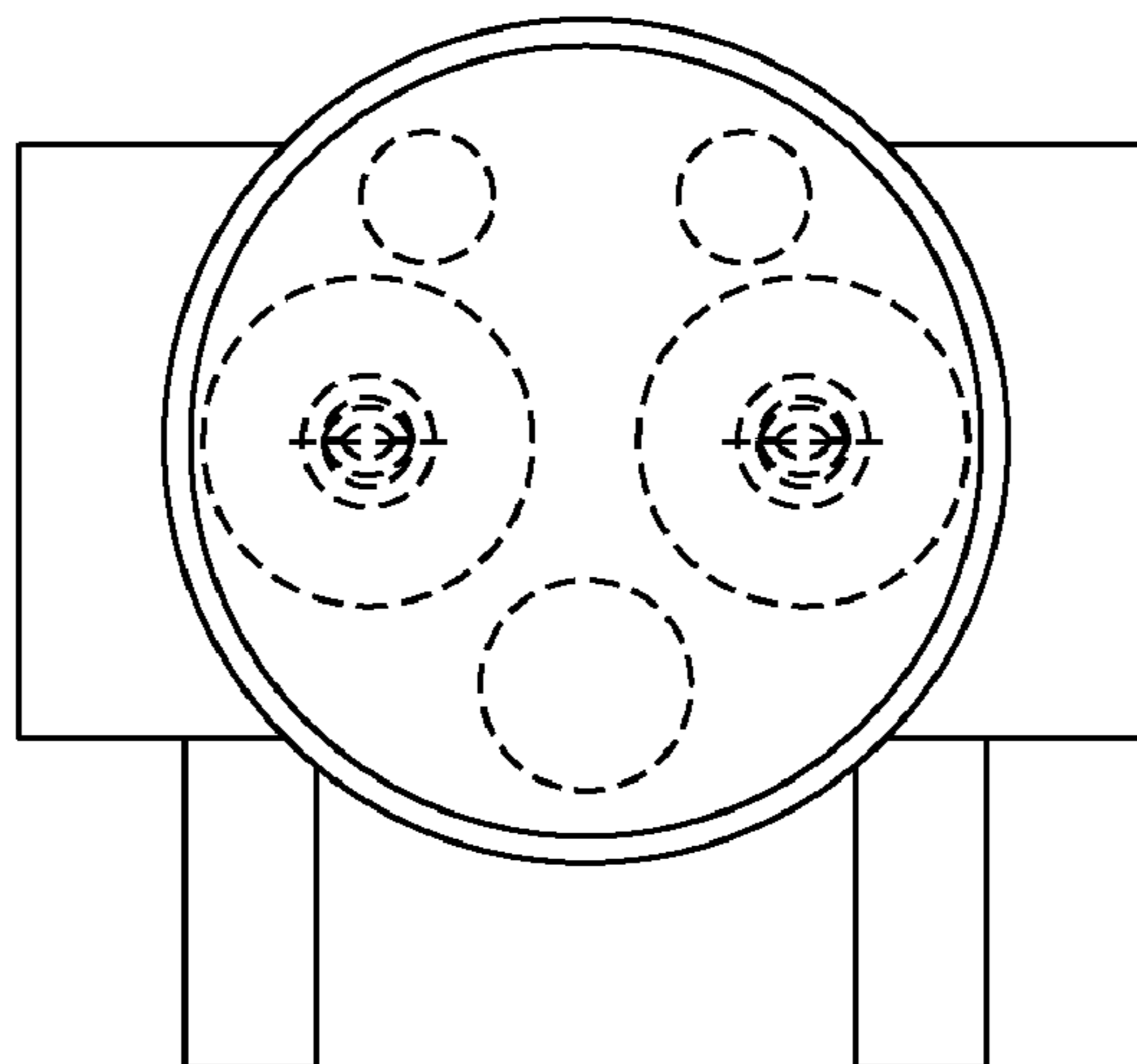


FIG. 3

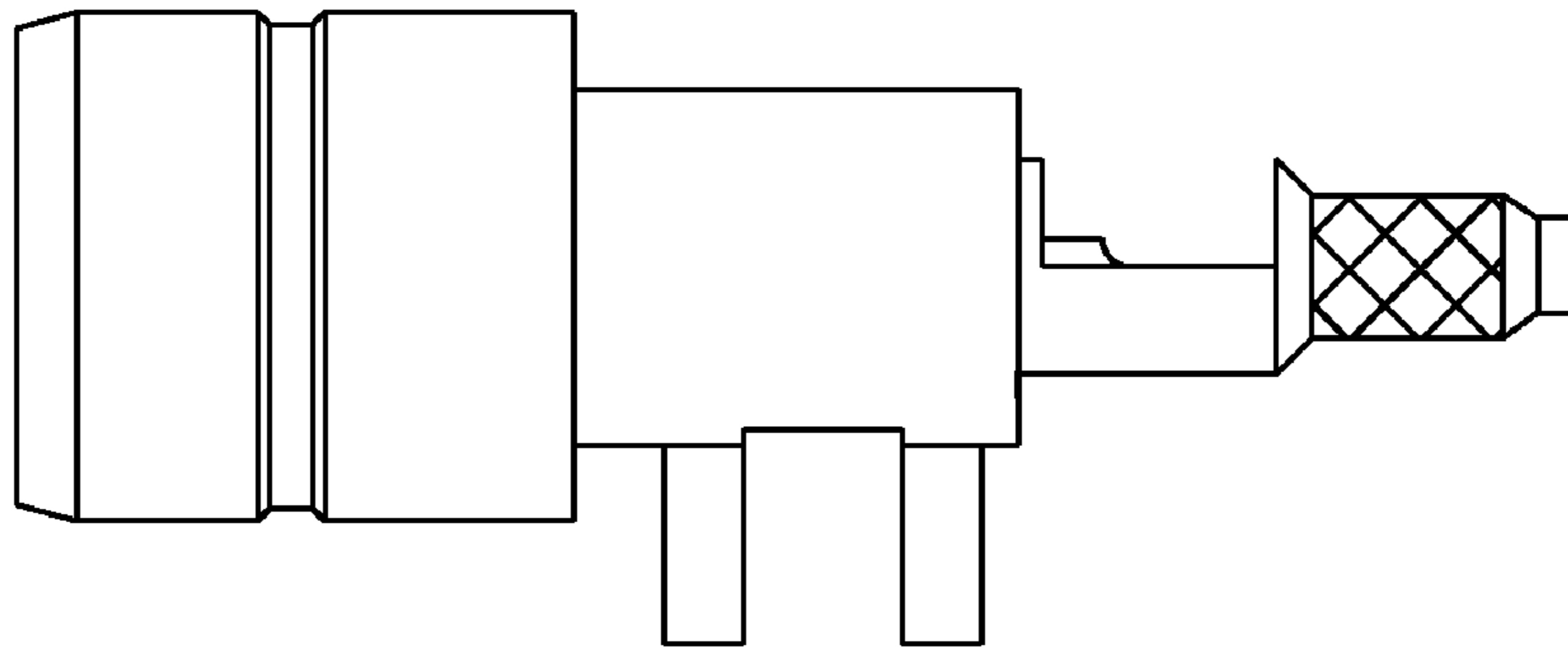


FIG.4

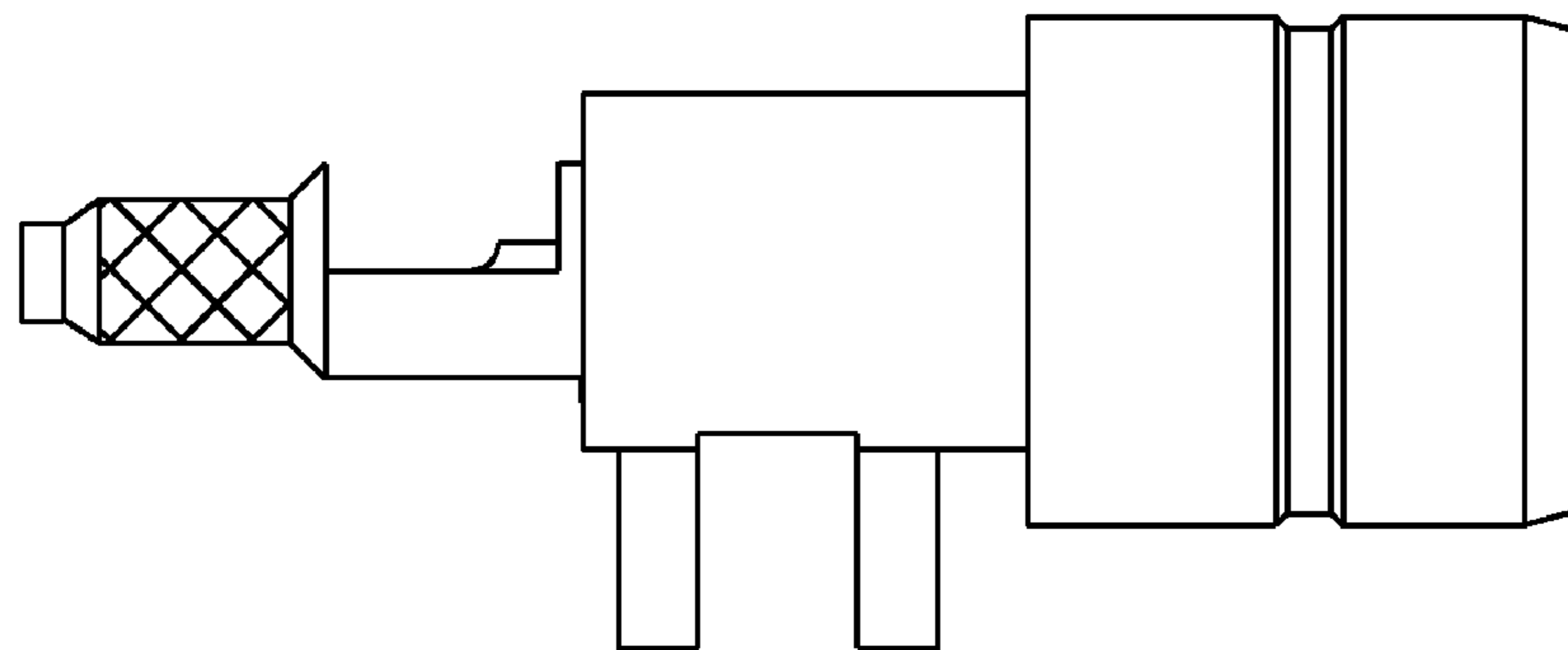


FIG.5

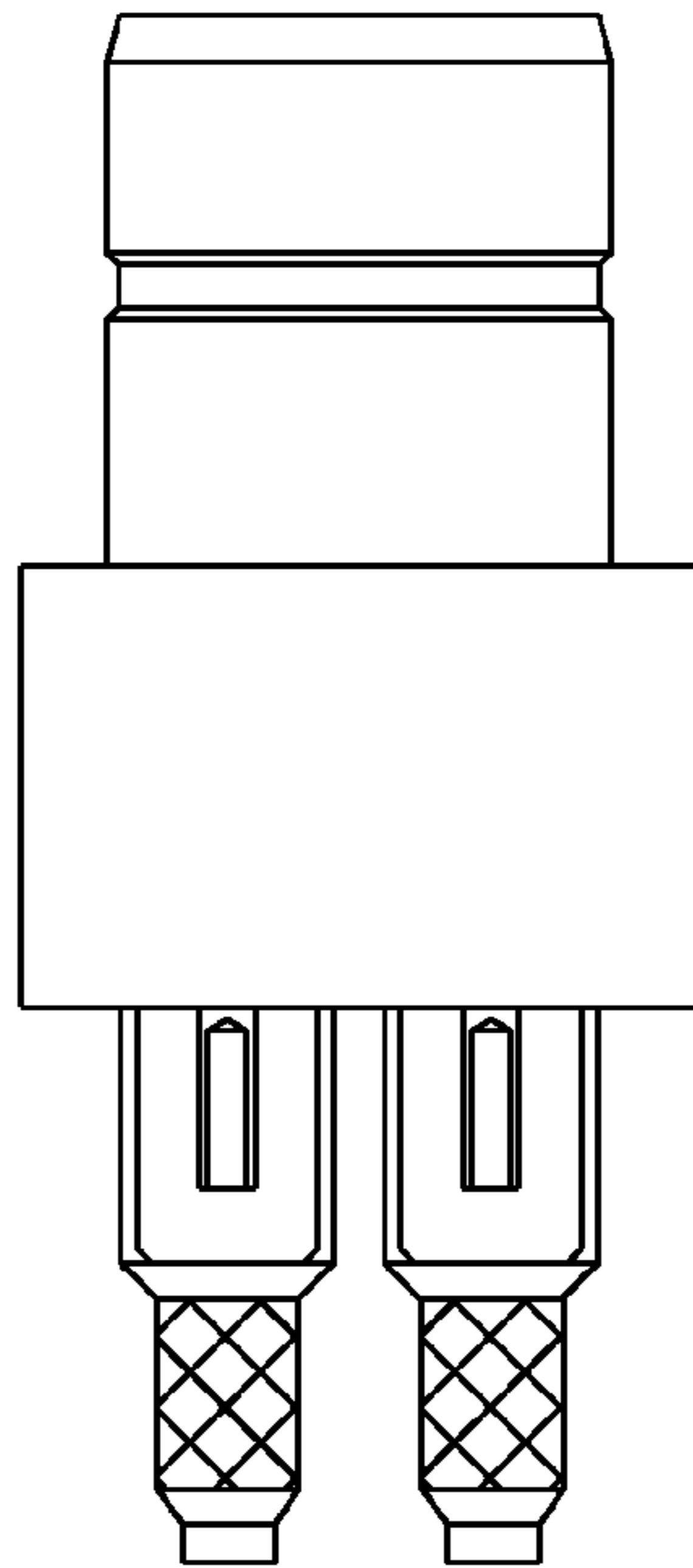


FIG. 6

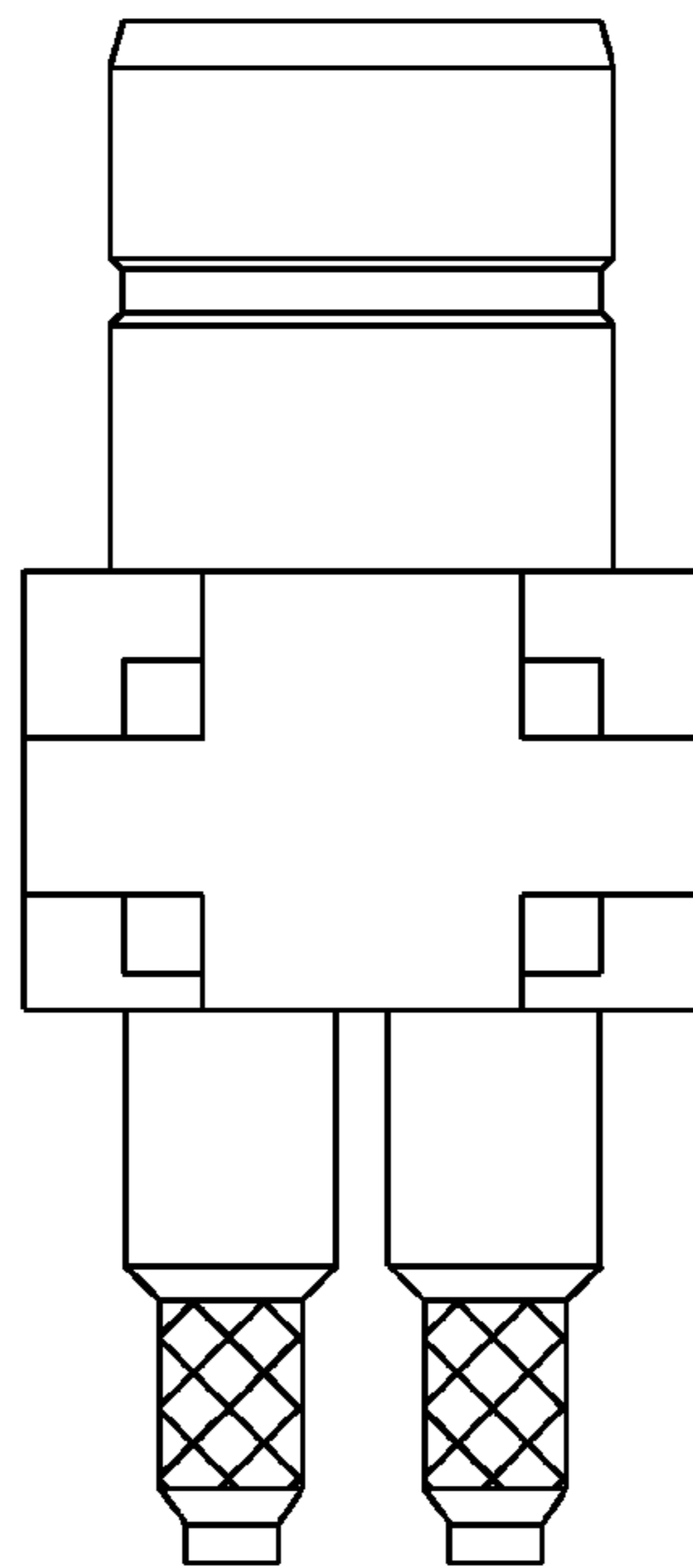


FIG. 7