



US00D557209S

(12) **United States Design Patent**  
**Ahlgren et al.**

(10) **Patent No.:** **US D557,209 S**

(45) **Date of Patent:** **\*\* Dec. 11, 2007**

(54) **TRAVEL CHARGER**

(75) Inventors: **Erik Ahlgren**, Malmö (SE); **Nicholas Chin**, Singapore (SG)

(73) Assignee: **Sony Ericsson Mobile Communications AB**, Lund (SE)

(\*\*) Term: **14 Years**

(21) Appl. No.: **29/280,116**

(22) Filed: **May 17, 2007**

**Related U.S. Application Data**

(62) Division of application No. 29/250,003, filed on Oct. 30, 2006.

**Foreign Application Priority Data**

May 15, 2006 (EM) ..... 000529144

(51) **LOC (8) Cl.** ..... **13-02**

(52) **U.S. Cl.** ..... **D13/108**

(58) **Field of Classification Search** ..... D13/107-110,  
D13/118-119, 184; D14/251, 253, 432,  
D14/434; 320/107-115; 455/573  
See application file for complete search history.

(56) **References Cited**

**U.S. PATENT DOCUMENTS**

4,636,703 A \* 1/1987 Tohya et al. .... 320/110  
D344,261 S \* 2/1994 Watanabe ..... D13/107  
D373,993 S \* 9/1996 Kettula ..... D13/107

5,613,863 A \* 3/1997 Klaus et al. .... 439/131  
D427,965 S \* 7/2000 Wu ..... D13/107  
D445,760 S \* 7/2001 Minagawa et al. .... D13/108  
D446,185 S \* 8/2001 Saastamoinen et al. .... D13/108  
D449,030 S \* 10/2001 Baxter et al. .... D13/110  
D452,841 S \* 1/2002 Tuhkanen ..... D13/108  
D486,785 S \* 2/2004 Shindo ..... D13/107  
D526,272 S \* 8/2006 Sade et al. .... D13/108  
D532,370 S \* 11/2006 Shimizu ..... D13/108  
D535,252 S \* 1/2007 Sandnes ..... D13/108

\* cited by examiner

*Primary Examiner*—M. H. Tung

*Assistant Examiner*—Rosemary K. Tarcza

(74) *Attorney, Agent, or Firm*—Renner, Otto, Boisselle & Sklar, LLP

(57) **CLAIM**

The ornamental design for a travel charger, as shown and described.

**DESCRIPTION**

FIG. 1 is a perspective view of a travel charger showing my new design;

FIG. 2 is a top view thereof;

FIG. 3 is a bottom view thereof;

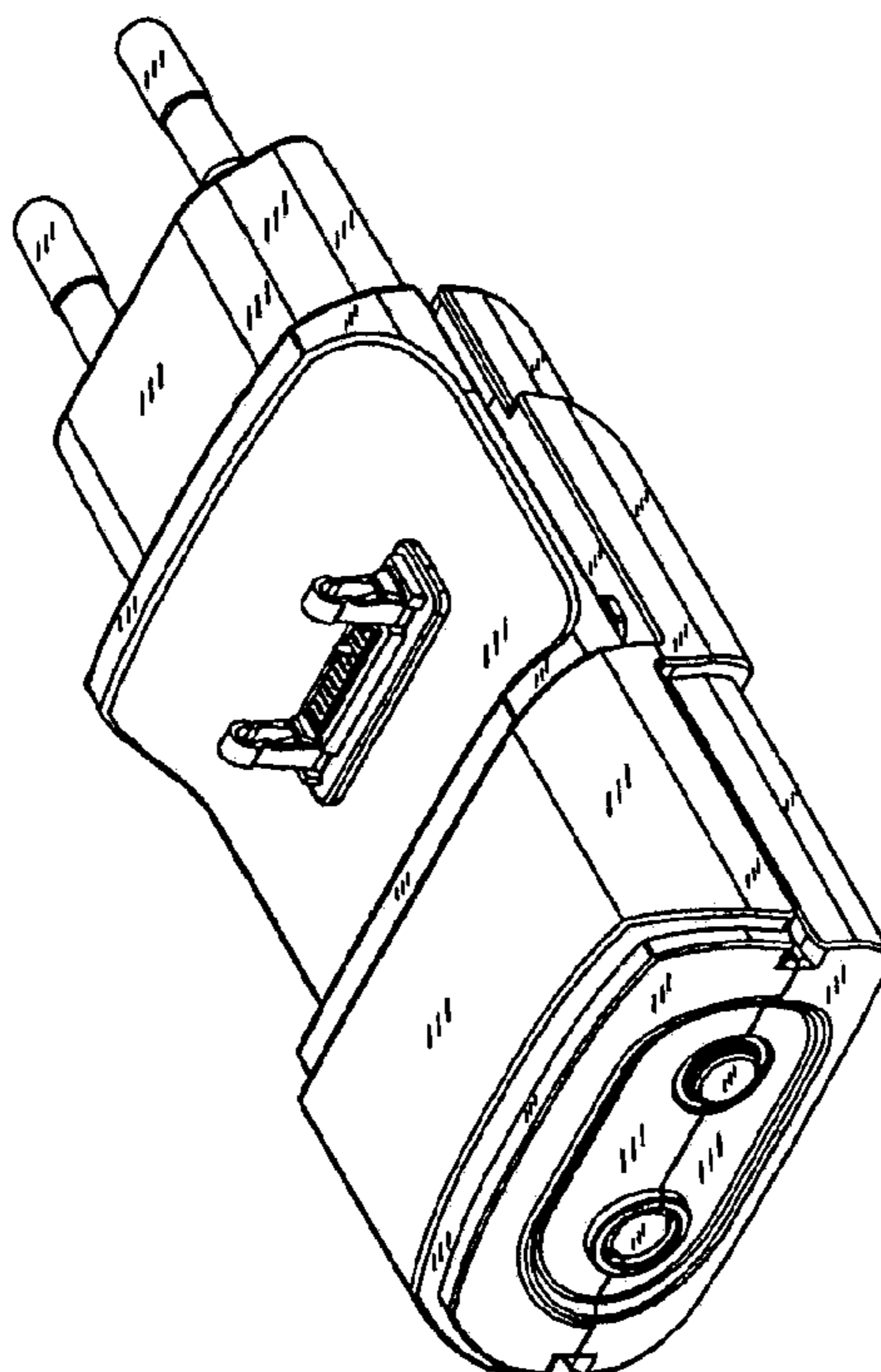
FIG. 4 is a left side view thereof;

FIG. 5 is a right side view thereof;

FIG. 6 is a front view thereof; and,

FIG. 7 is a rear view thereof.

**1 Claim, 2 Drawing Sheets**



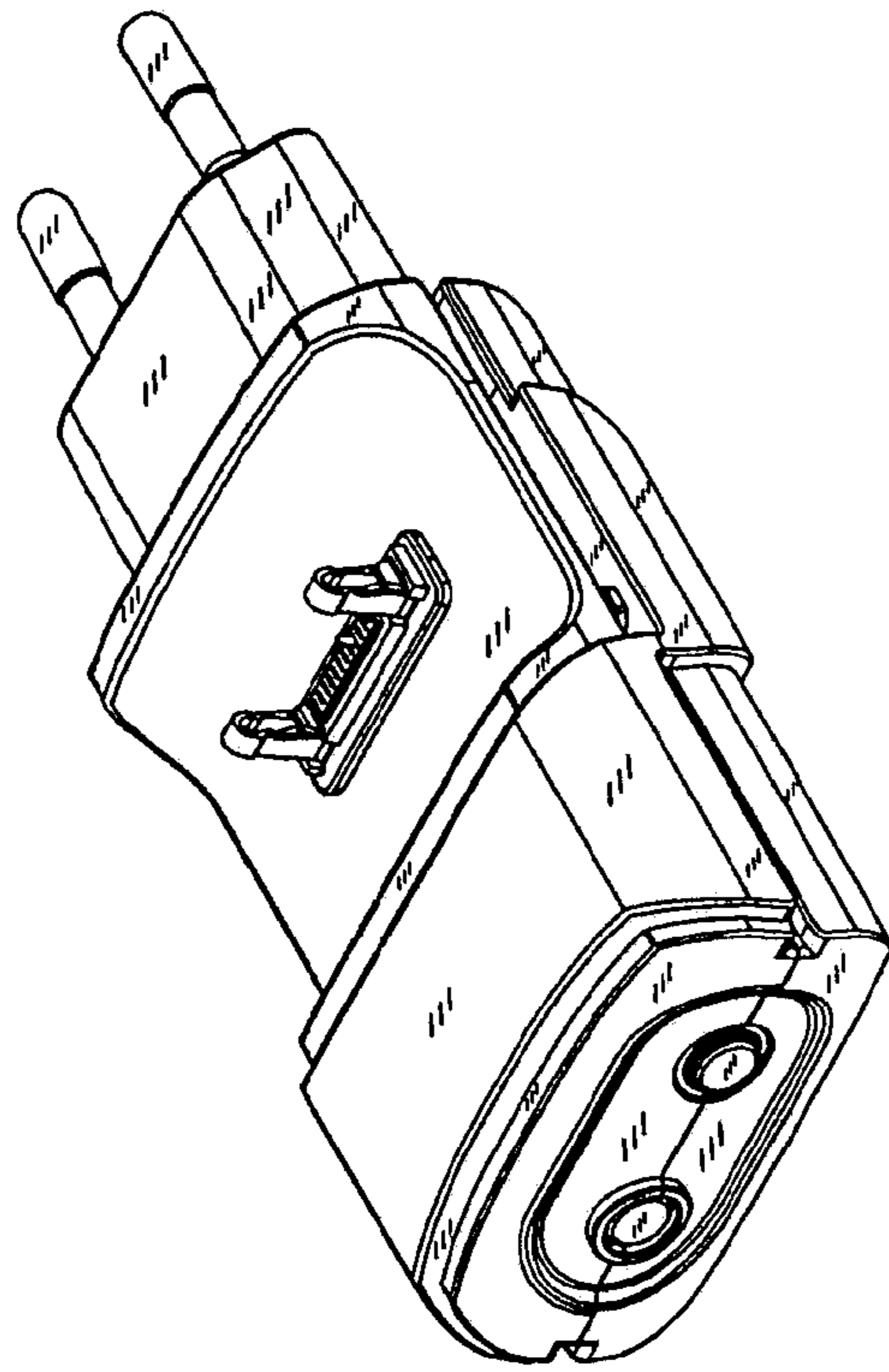


FIG. 1

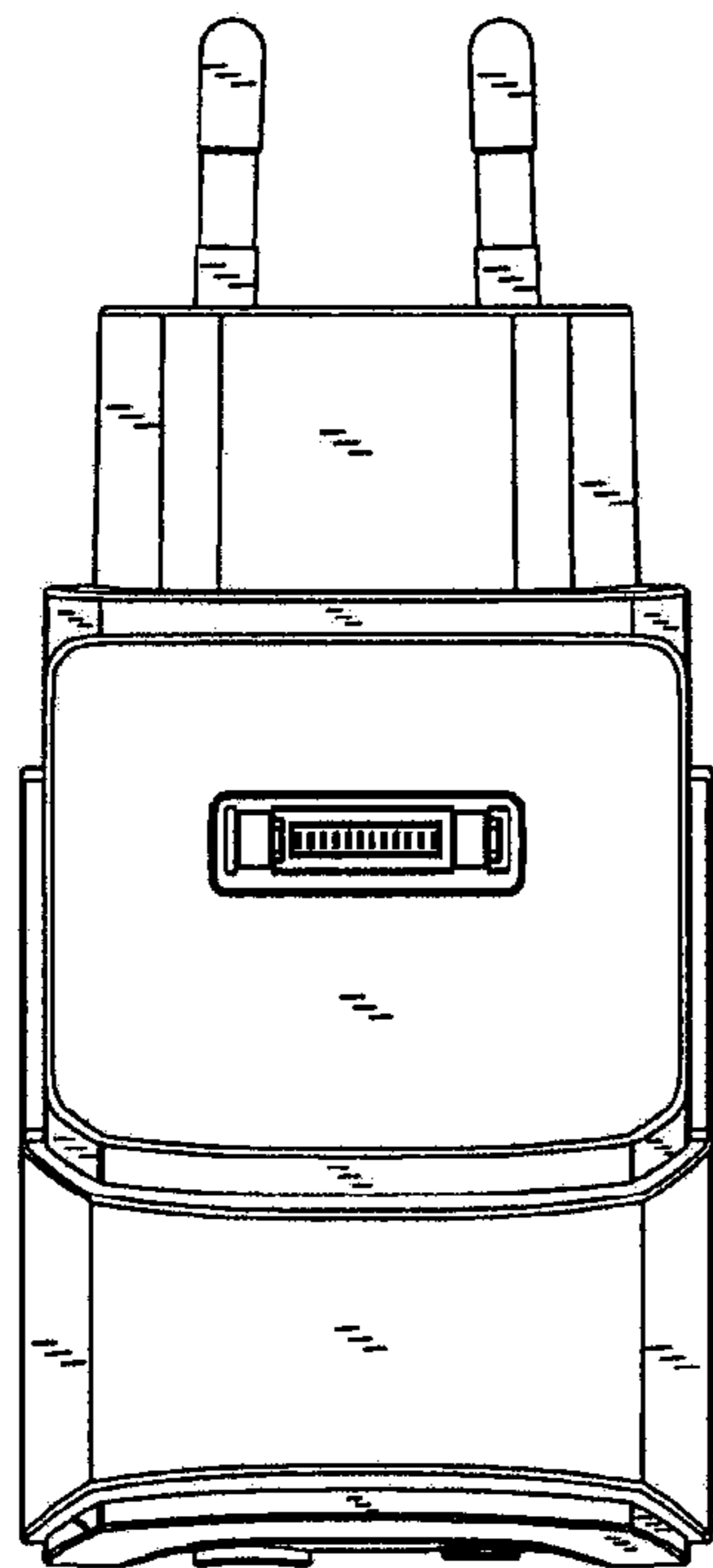


FIG. 2

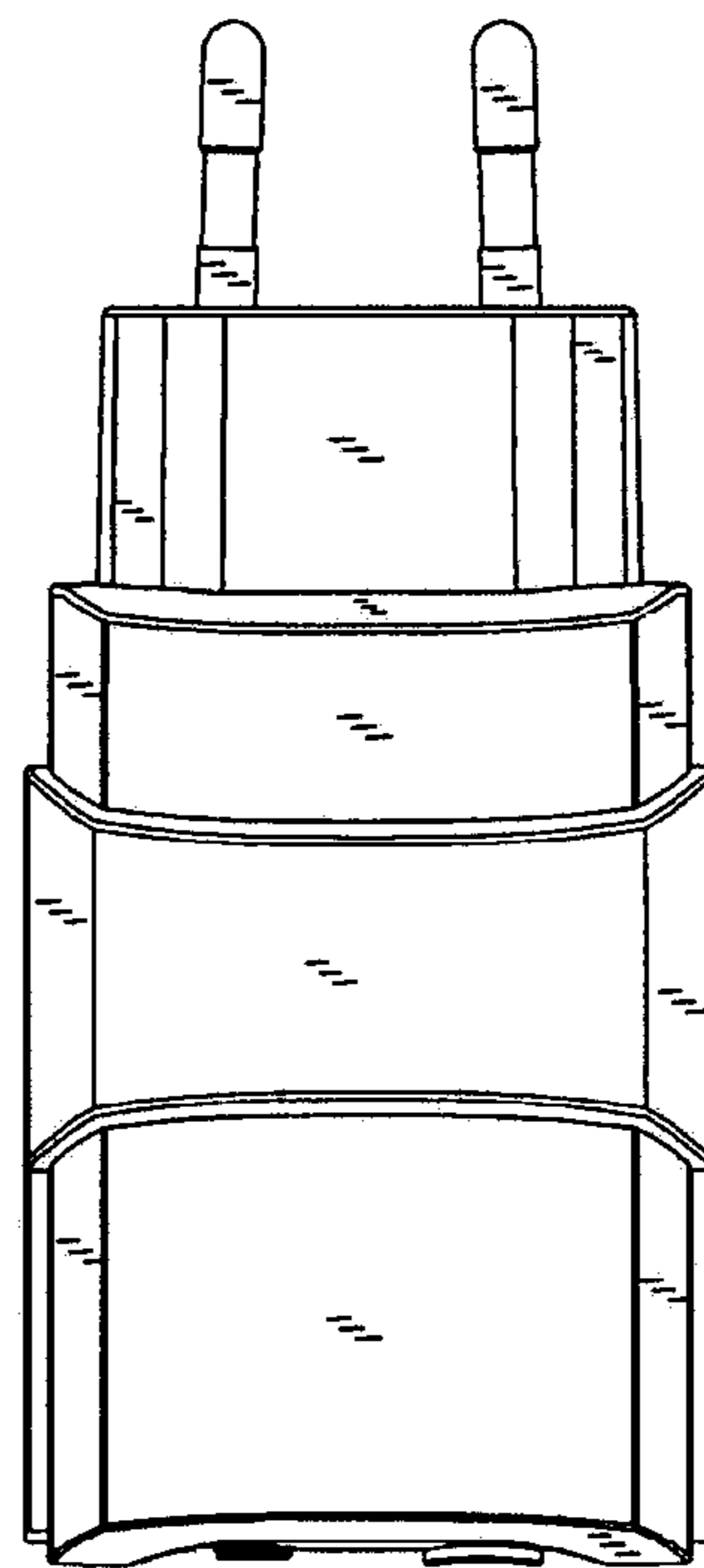


FIG. 3

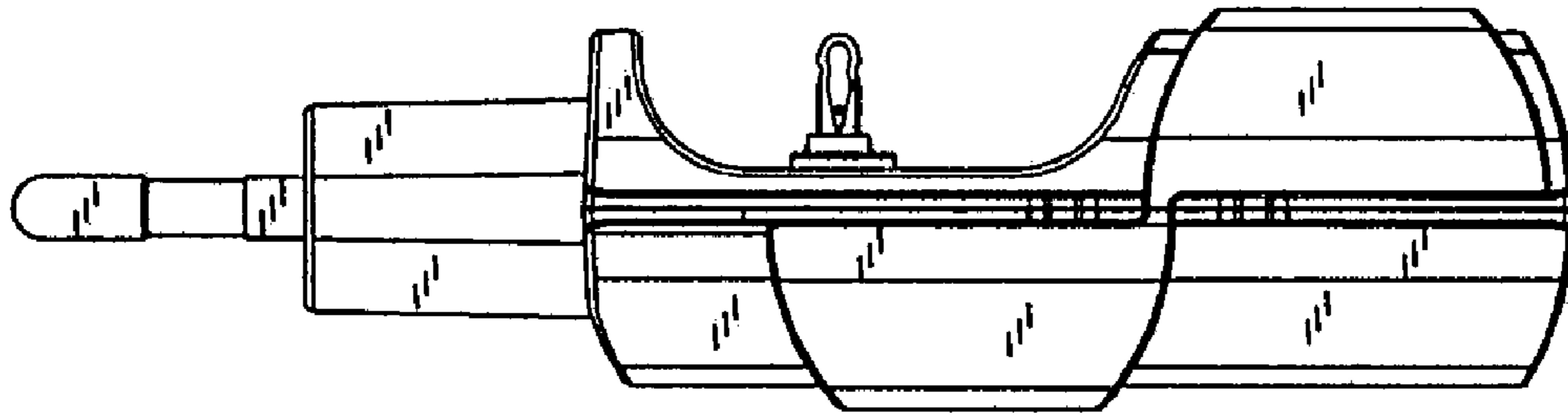


FIG. 4

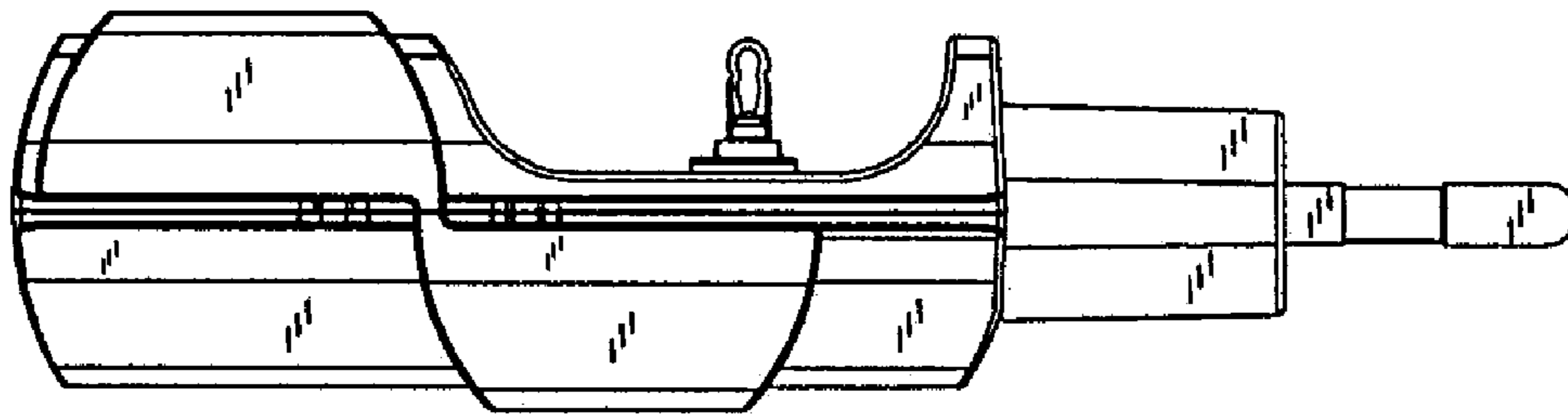


FIG. 5

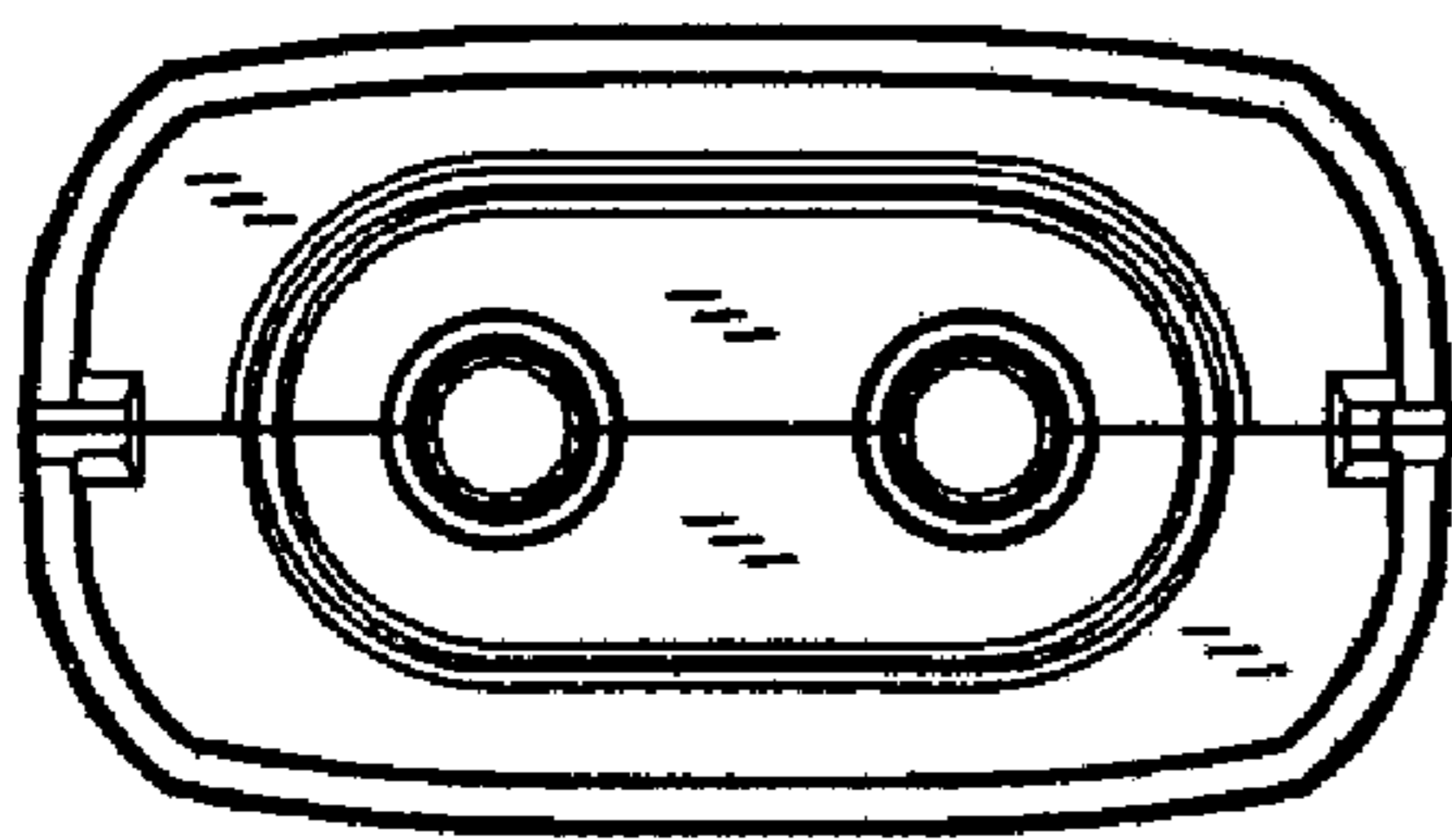


FIG. 6

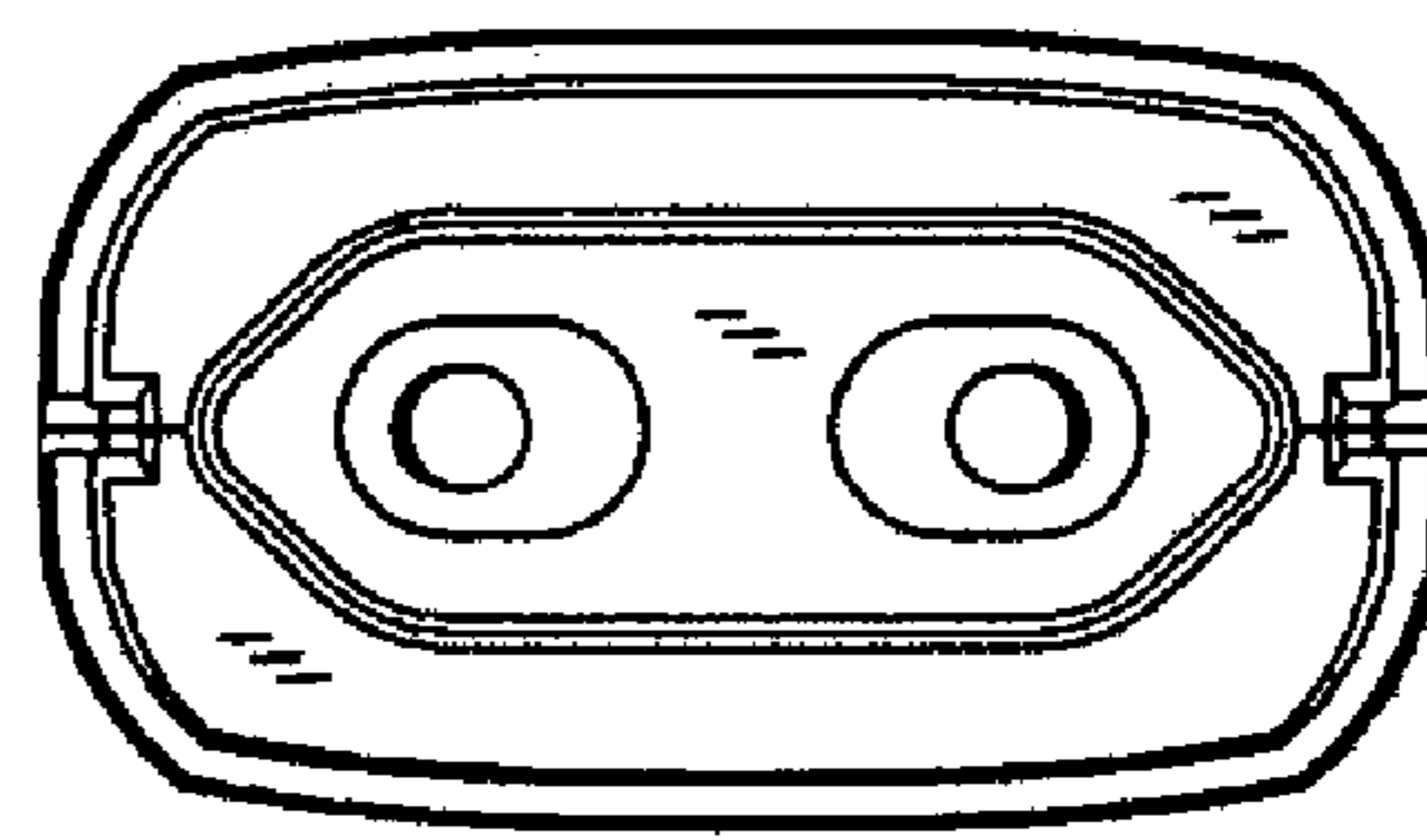


FIG. 7