



US00D557207S

(12) **United States Design Patent**
Aguilar

(10) **Patent No.:** **US D557,207 S**

(45) **Date of Patent:** **** Dec. 11, 2007**

(54) **CRADLE FOR AN ELECTRONIC DEVICE**

D520,945 S * 5/2006 Hayamizu D13/108
D520,946 S * 5/2006 Nasu D13/108
D521,928 S * 5/2006 Shimizu D13/108

(75) Inventor: **Antonio Aguilar**, Hermosa Beach, CA
(US)

* cited by examiner

(73) Assignee: **Alpine Electronics, Inc.**, Iwaki (JP)

Primary Examiner—Cathron C. Brooks

Assistant Examiner—Rosemary K. Tarcza

(**) Term: **14 Years**

(74) *Attorney, Agent, or Firm*—Eric J. Aagaard, Esq.

(21) Appl. No.: **29/244,342**

(57) **CLAIM**

(22) Filed: **Dec. 7, 2005**

I claim the ornamental design for a cradle for an electronic device, as shown and described.

(51) **LOC (8) Cl.** **13-02**

(52) **U.S. Cl.** **D13/108**

(58) **Field of Classification Search** D13/107–110,
D13/118–119, 184; D14/251, 253, 432,
D14/434; 320/107–115

DESCRIPTION

See application file for complete search history.

FIG. 1 is a top plan view of a cradle for an electronic device;
FIG. 2 is a front elevational view of the cradle for an electronic device;

(56) **References Cited**

FIG. 3 is a bottom plan view of the cradle for an electronic device;

U.S. PATENT DOCUMENTS

FIG. 4 is a left side plan view of the cradle for an electronic device;

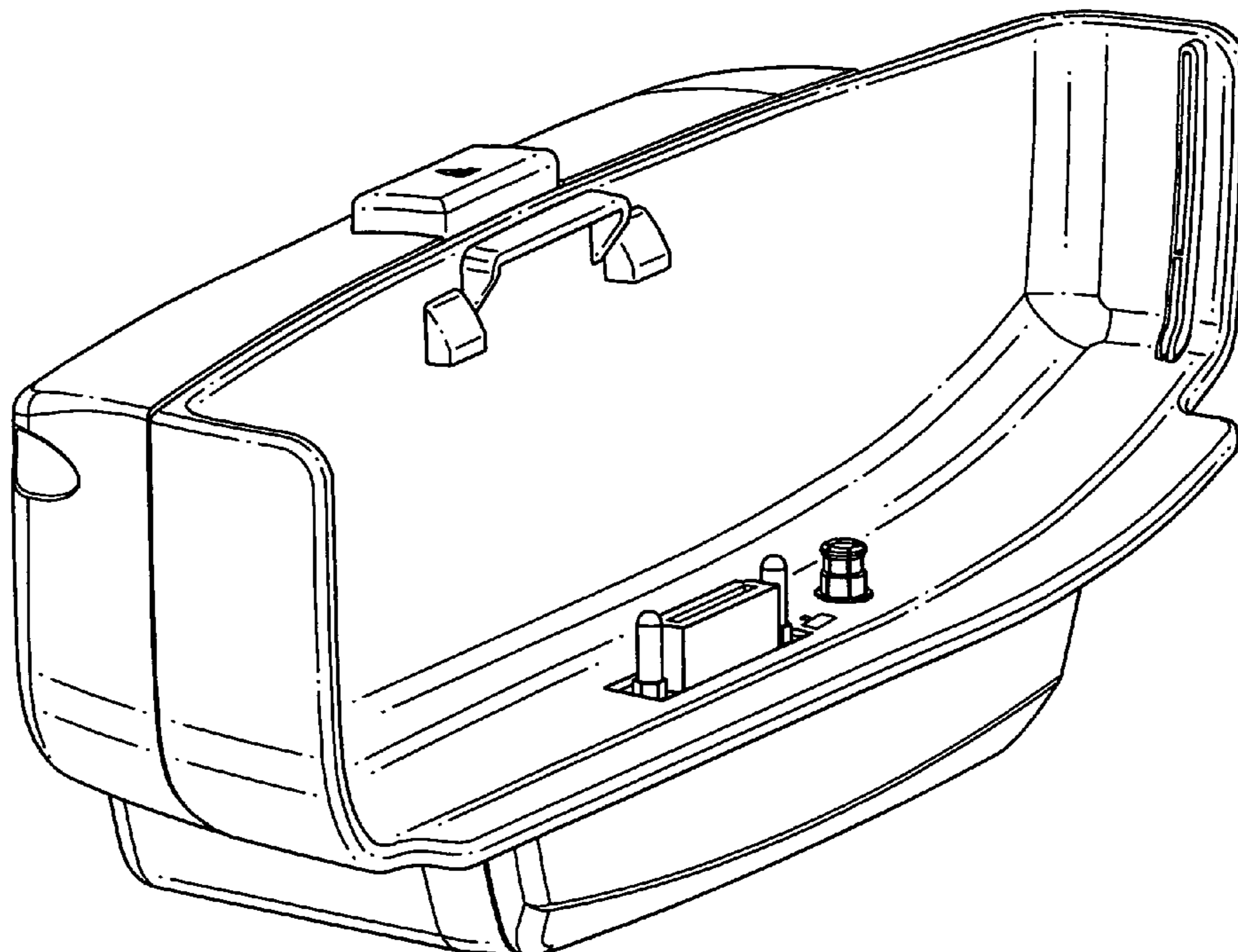
D359,034 S *	6/1995	Kondo	D14/434
D453,920 S *	2/2002	Greene	D13/108
D458,266 S *	6/2002	Herath	D14/434
D465,532 S *	11/2002	Hussaini et al.	D21/333
D477,604 S *	7/2003	Lin	D14/434
D487,897 S *	3/2004	Huang et al.	D14/434
D489,681 S *	5/2004	Chen	D13/108
D511,520 S *	11/2005	Hussaini et al.	D14/434
D511,745 S *	11/2005	Lamason et al.	D13/108
D514,576 S *	2/2006	Sung et al.	D14/434

FIG. 5 is a right side plan view of the cradle for an electronic device;

FIG. 6 is a rear elevational view of the cradle for an electronic device; and,

FIG. 7 is a perspective view of the cradle for an electronic device.

1 Claim, 3 Drawing Sheets



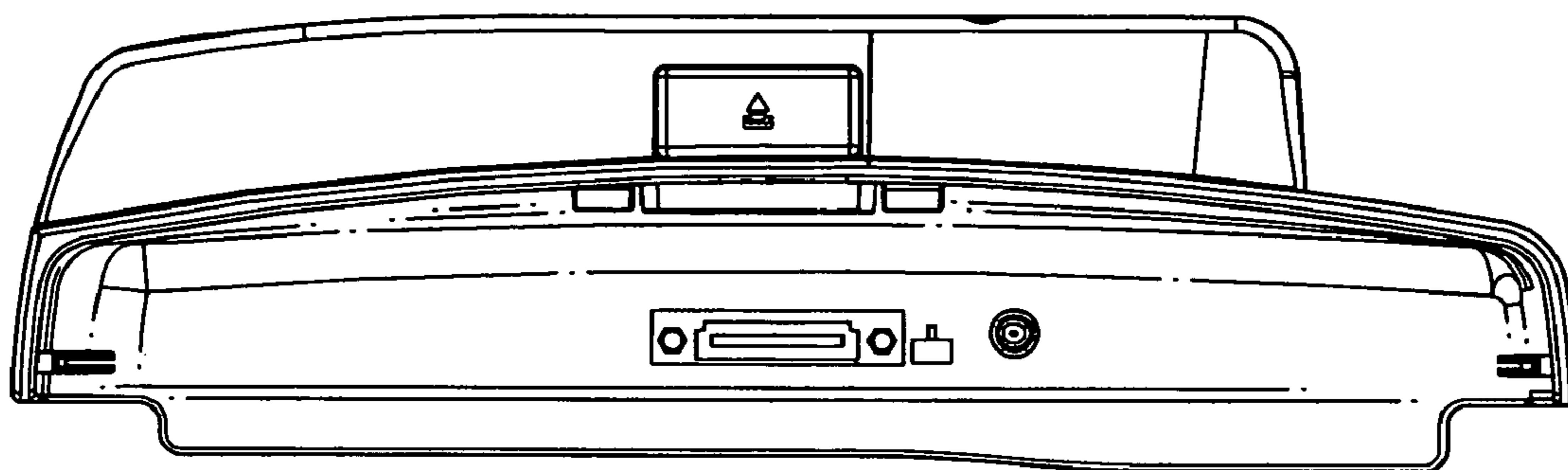


FIG. 1

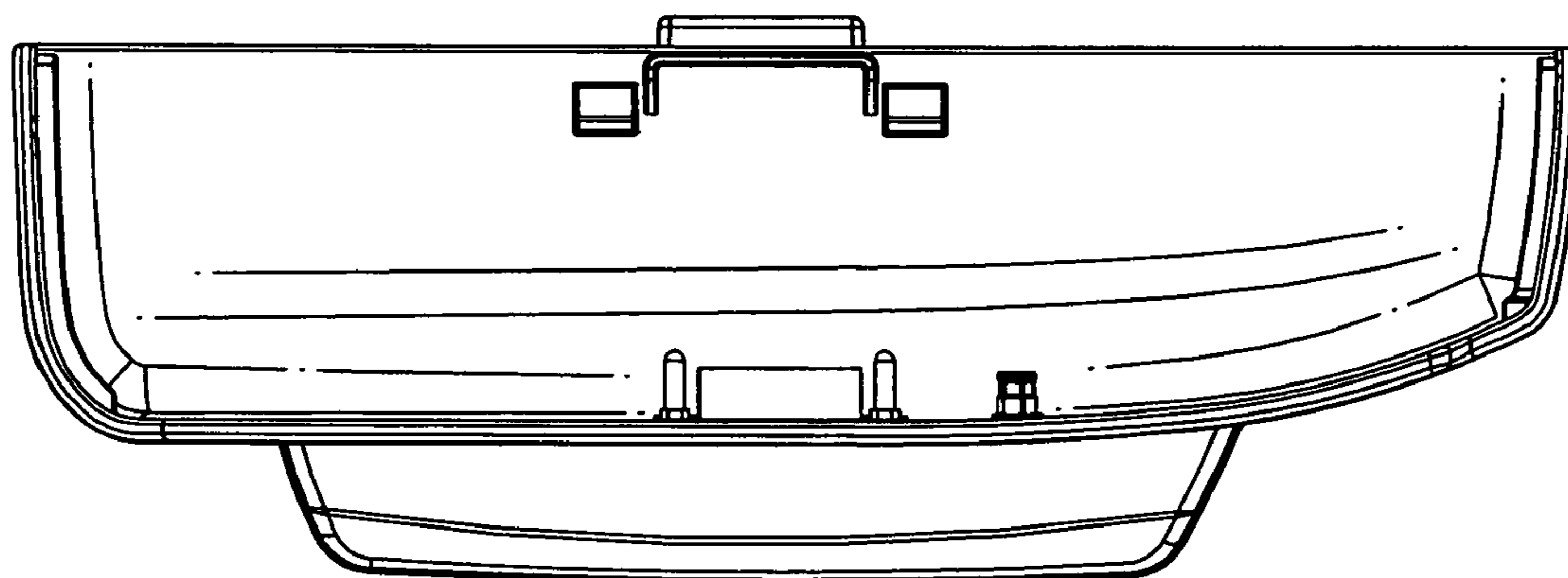


FIG. 2

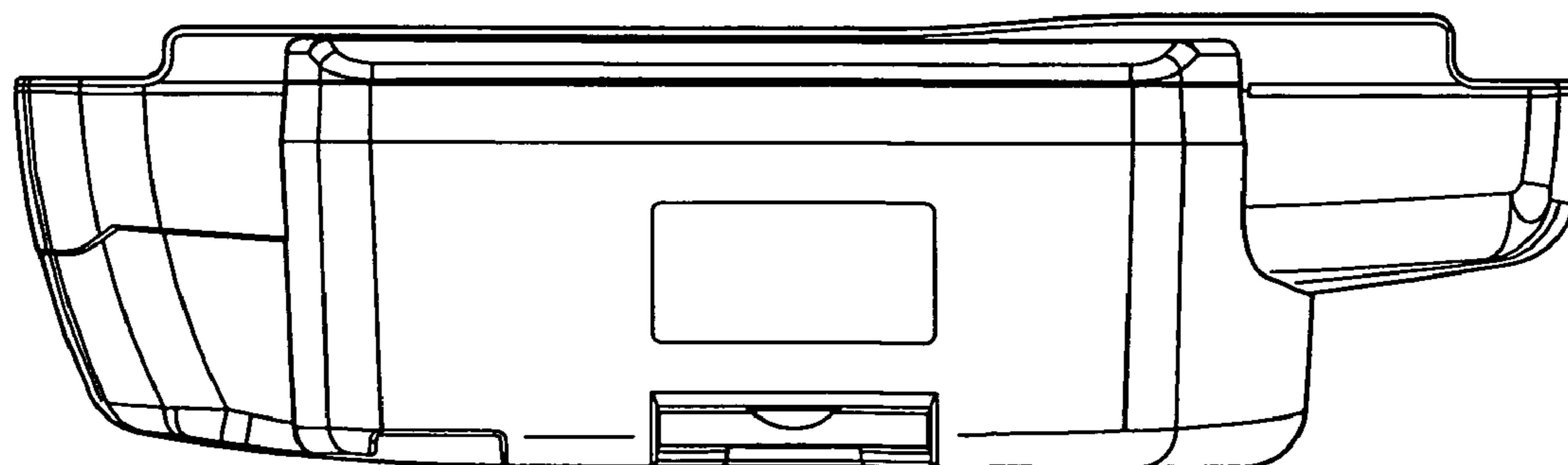


FIG. 3

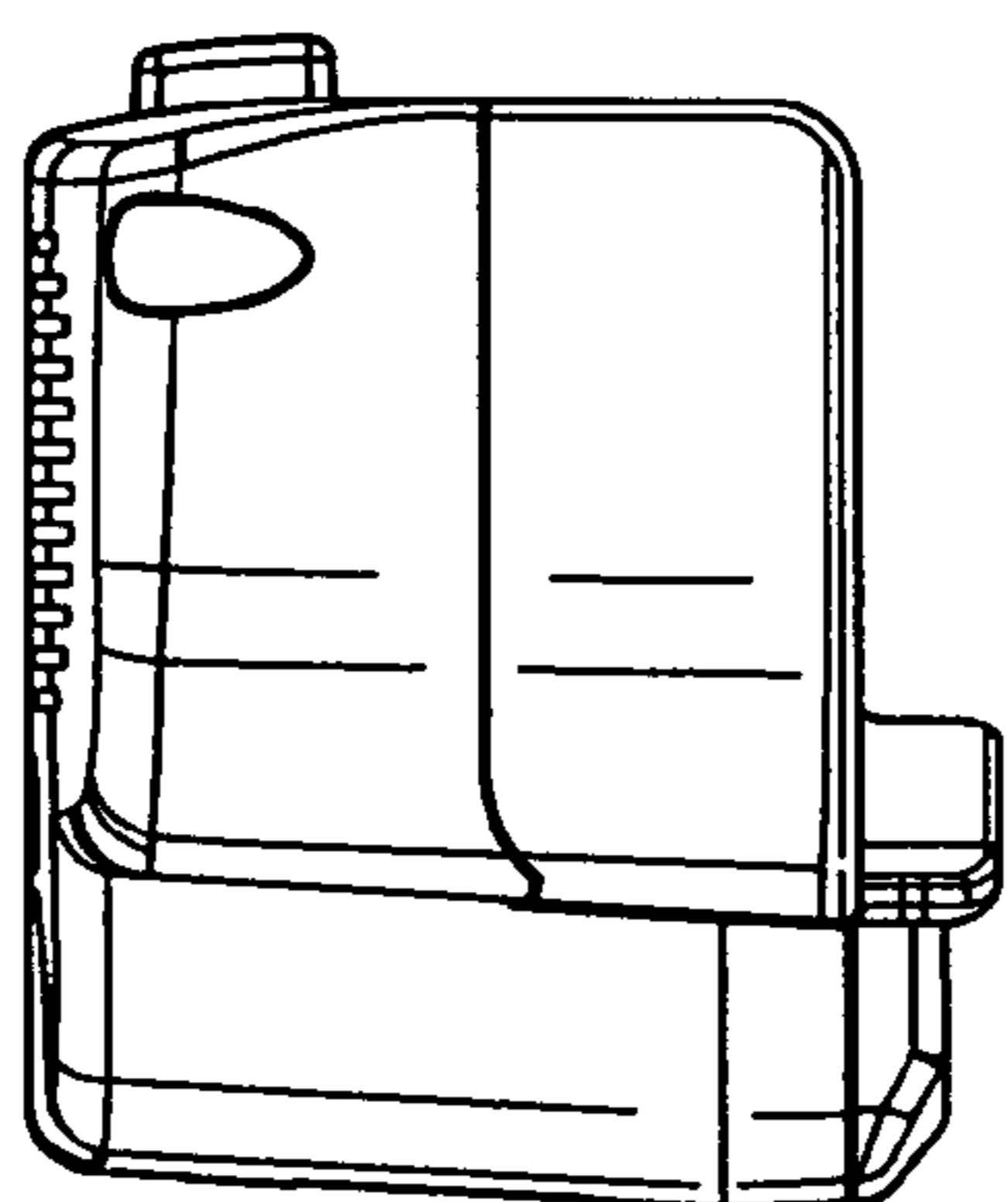


FIG. 4

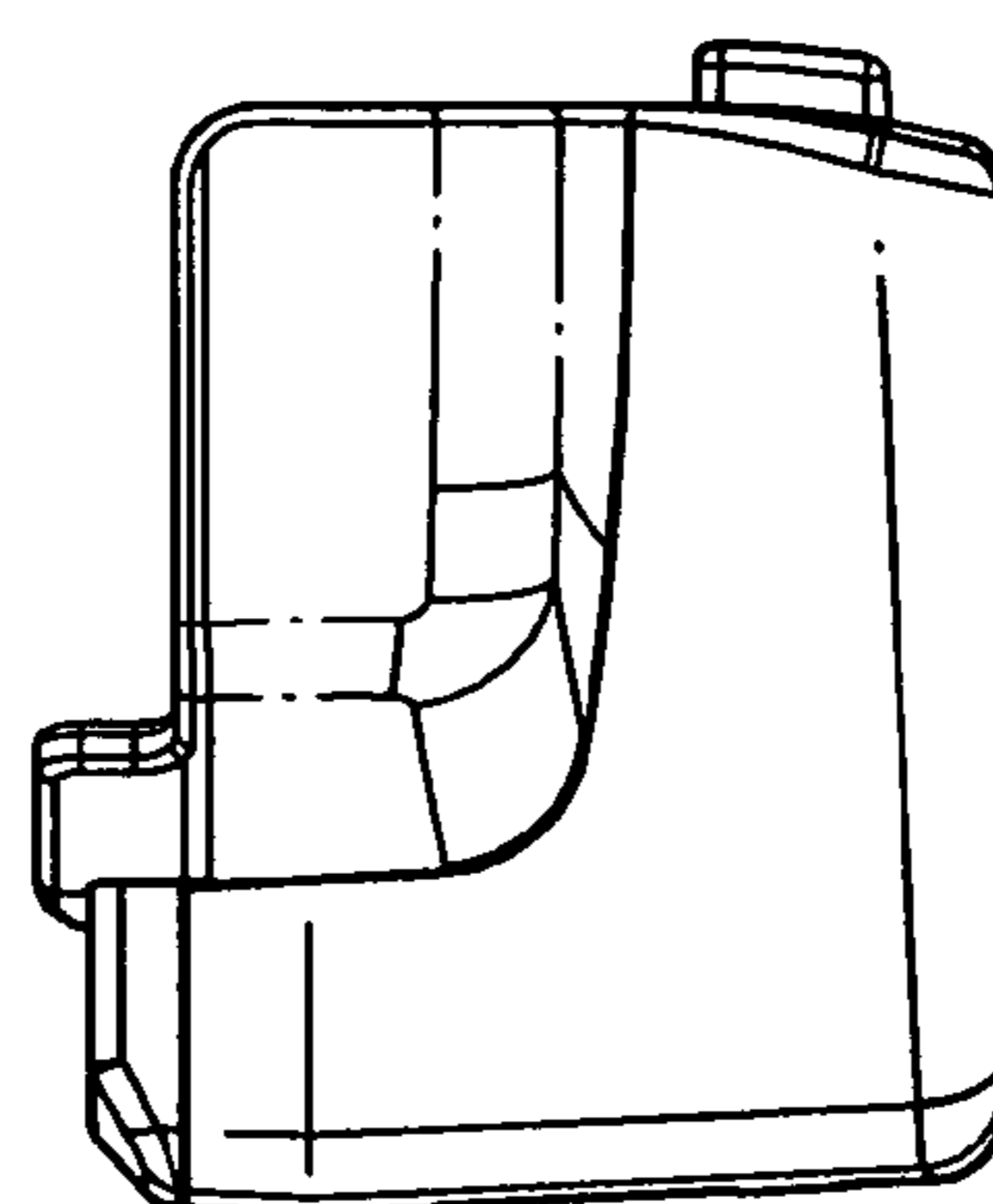


FIG. 5

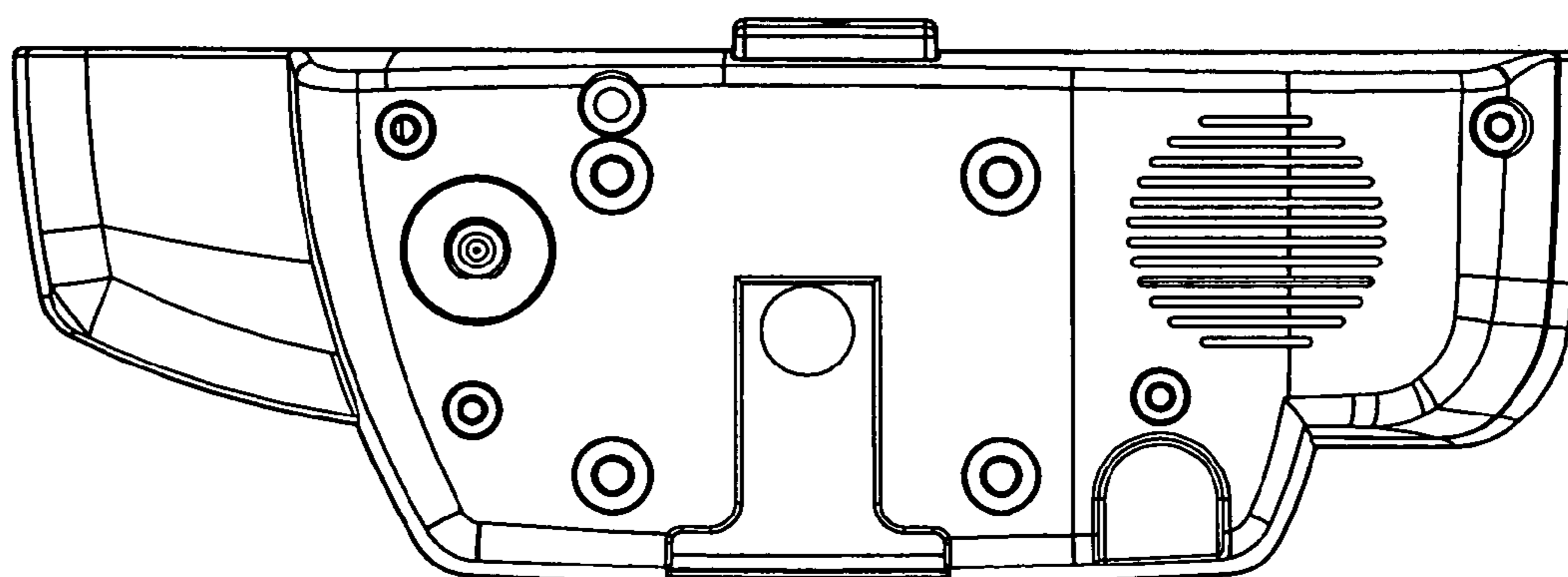


FIG. 6

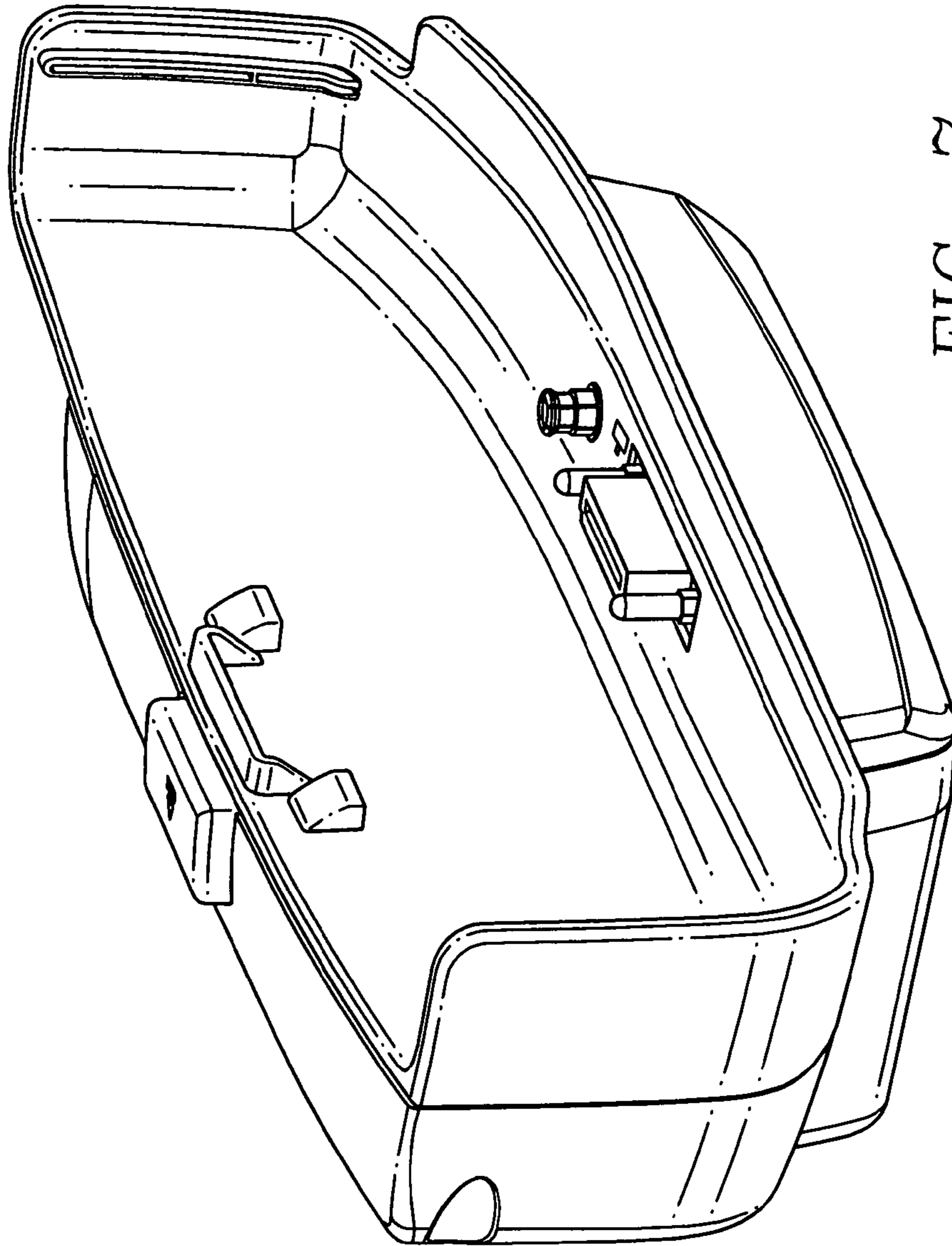


FIG. 7