



US00D557206S

(12) **United States Design Patent**
Hussaini et al.

(10) **Patent No.:** **US D557,206 S**
(45) **Date of Patent:** **** Dec. 11, 2007**

(54) **PORTABLE POWER PACK AND BATTERY CHARGER**

6,284,407 B1 * 9/2001 Murray et al. 429/186

* cited by examiner

(75) Inventors: **Saied Hussaini**, Miami, FL (US); **Marc Iacovelli**, Miami, FL (US)

Primary Examiner—Daniel Bui
Assistant Examiner—Rosemary K. Tarcza

(73) Assignee: **Intec, Inc.**, Miami Gardens, FL (US)

(74) *Attorney, Agent, or Firm*—Berenato, White & Stavish

(**) Term: **14 Years**

(57) **CLAIM**

(21) Appl. No.: **29/257,533**

The ornamental design for a portable power pack and battery charger, as shown and described.

(22) Filed: **Apr. 5, 2006**

DESCRIPTION

(51) **LOC (8) Cl.** **13-02**

FIG. 1 is a perspective view of the portable power pack and battery charger according to the present invention.

(52) **U.S. Cl.** **D13/107; D13/103**

FIG. 2 is a front view of the portable power pack and battery charger of FIG. 1.

(58) **Field of Classification Search** D13/102–110,
D13/118–119, 184; D14/251, 253, 432,
D14/434; 320/107–115; 429/96–100, 163,
429/176

FIG. 3 is a rear view of the portable power pack and battery charger of FIG. 1.

See application file for complete search history.

FIG. 4 is a right side view of the portable power pack and battery charger of FIG. 1.

(56) **References Cited**

FIG. 5 is a left side view of the portable power pack and battery charger of FIG. 1.

U.S. PATENT DOCUMENTS

FIG. 6 is a top view of the portable power pack and battery charger of FIG. 1; and,

D279,185 S *	6/1985	Felix et al.	D14/251
D339,788 S *	9/1993	Leman et al.	D13/108
D363,473 S *	10/1995	Leman	D14/434
D396,454 S *	7/1998	Shima et al.	D14/434
D413,108 S *	8/1999	Suzuki	D14/434
D429,242 S *	8/2000	Sun	D14/253

FIG. 7 is a bottom view of the portable power pack and battery charger of FIG. 1.

1 Claim, 4 Drawing Sheets

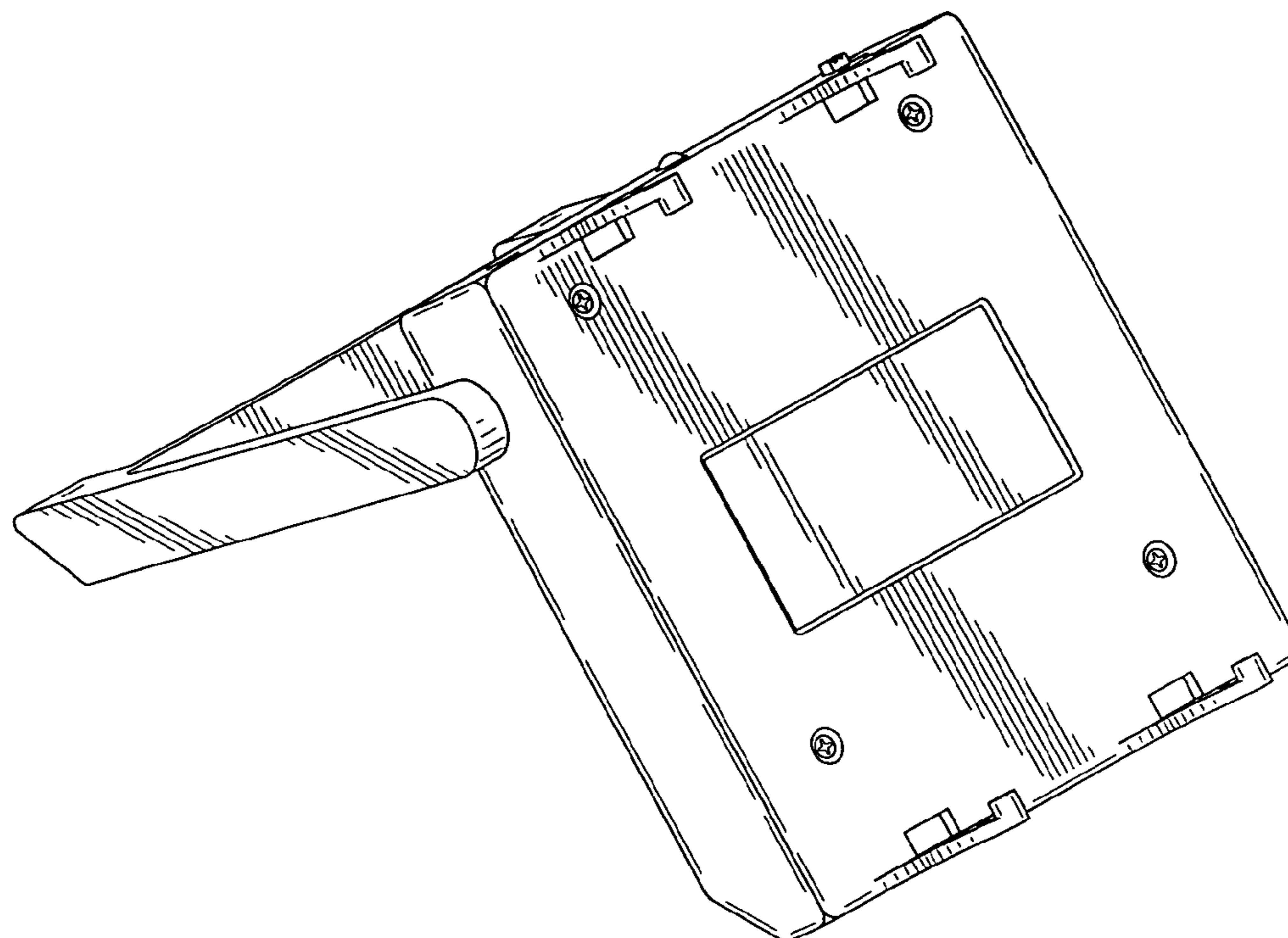


Fig. 1

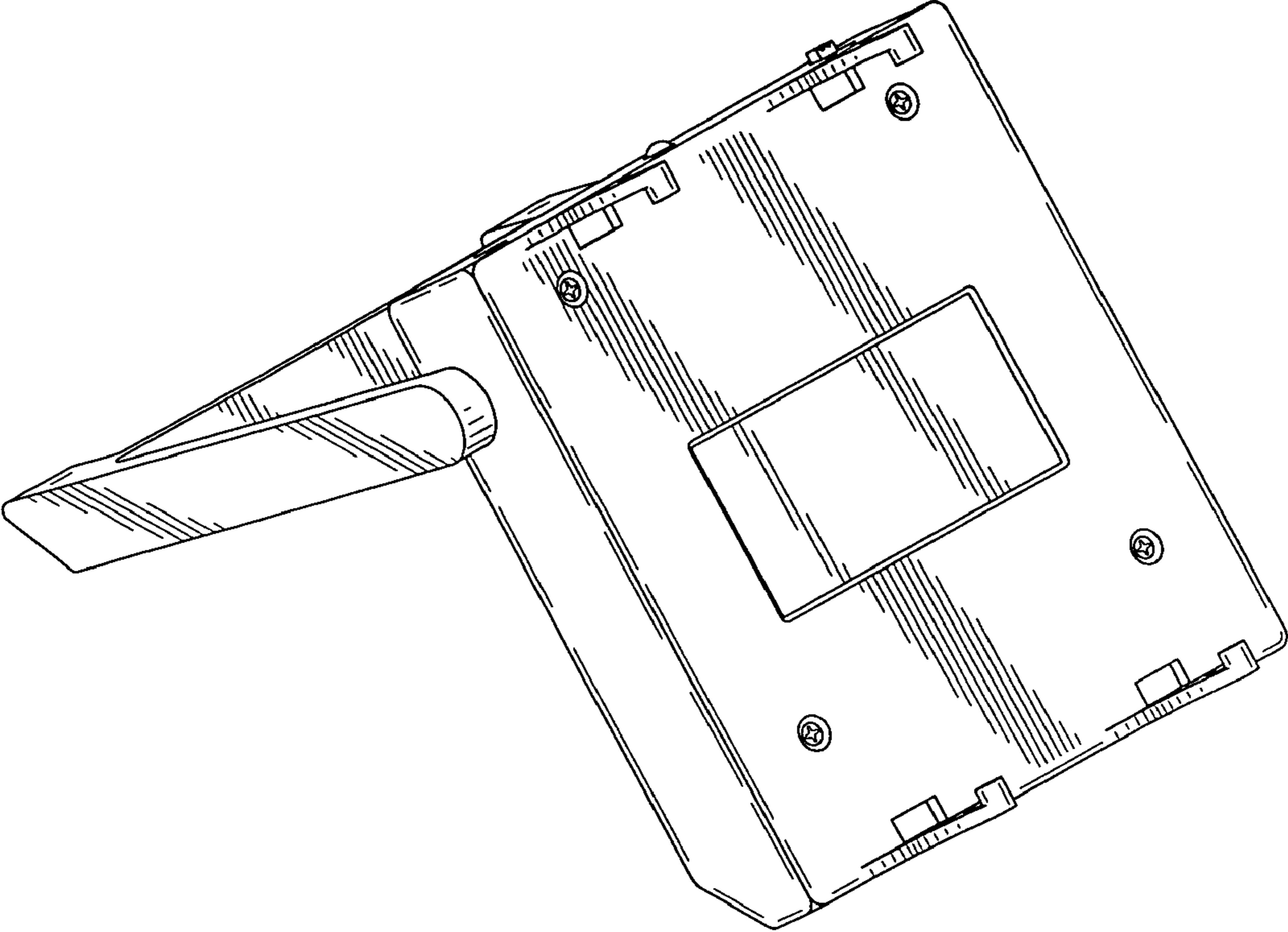


Fig. 2

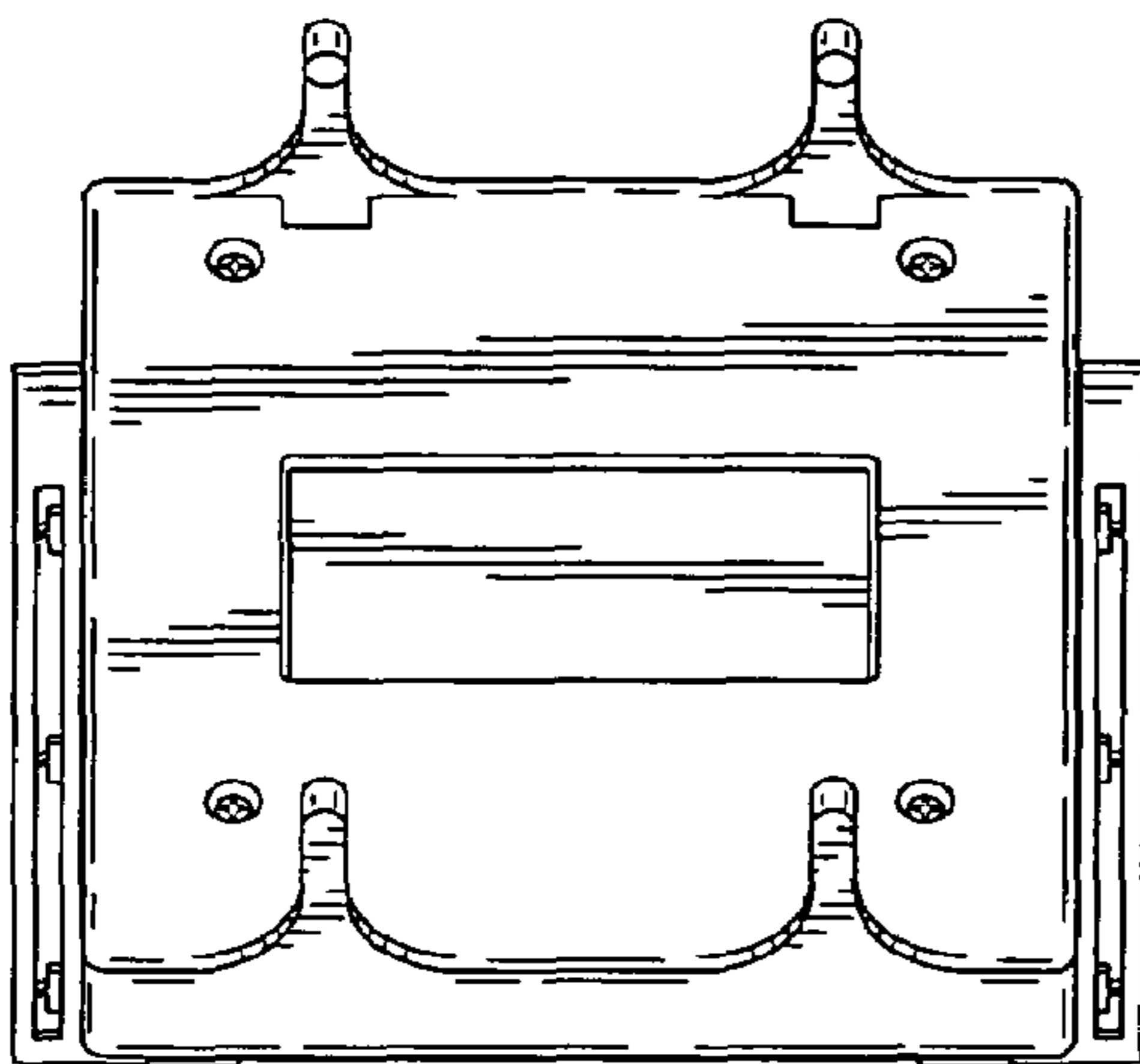


Fig. 3

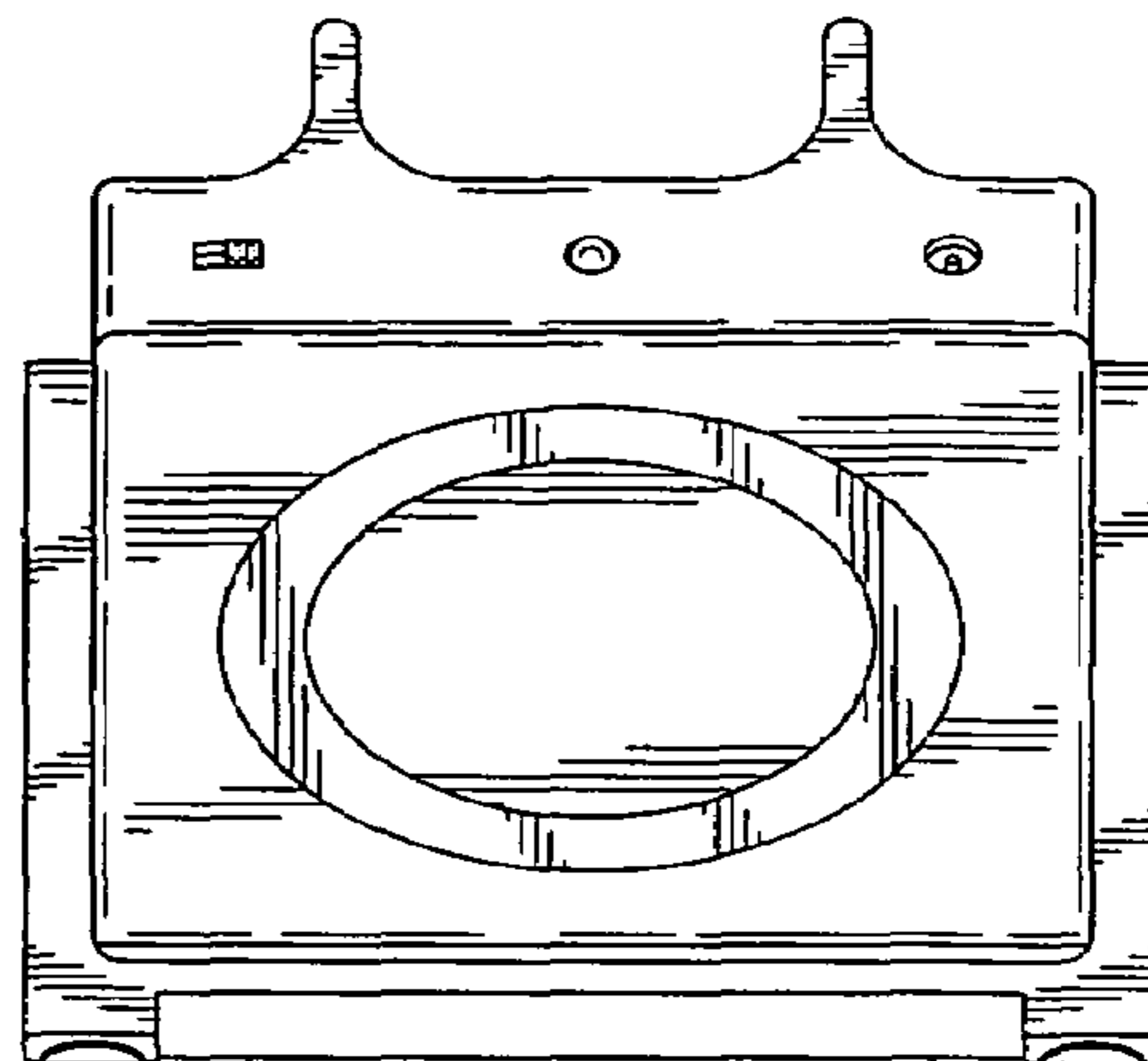


Fig. 4

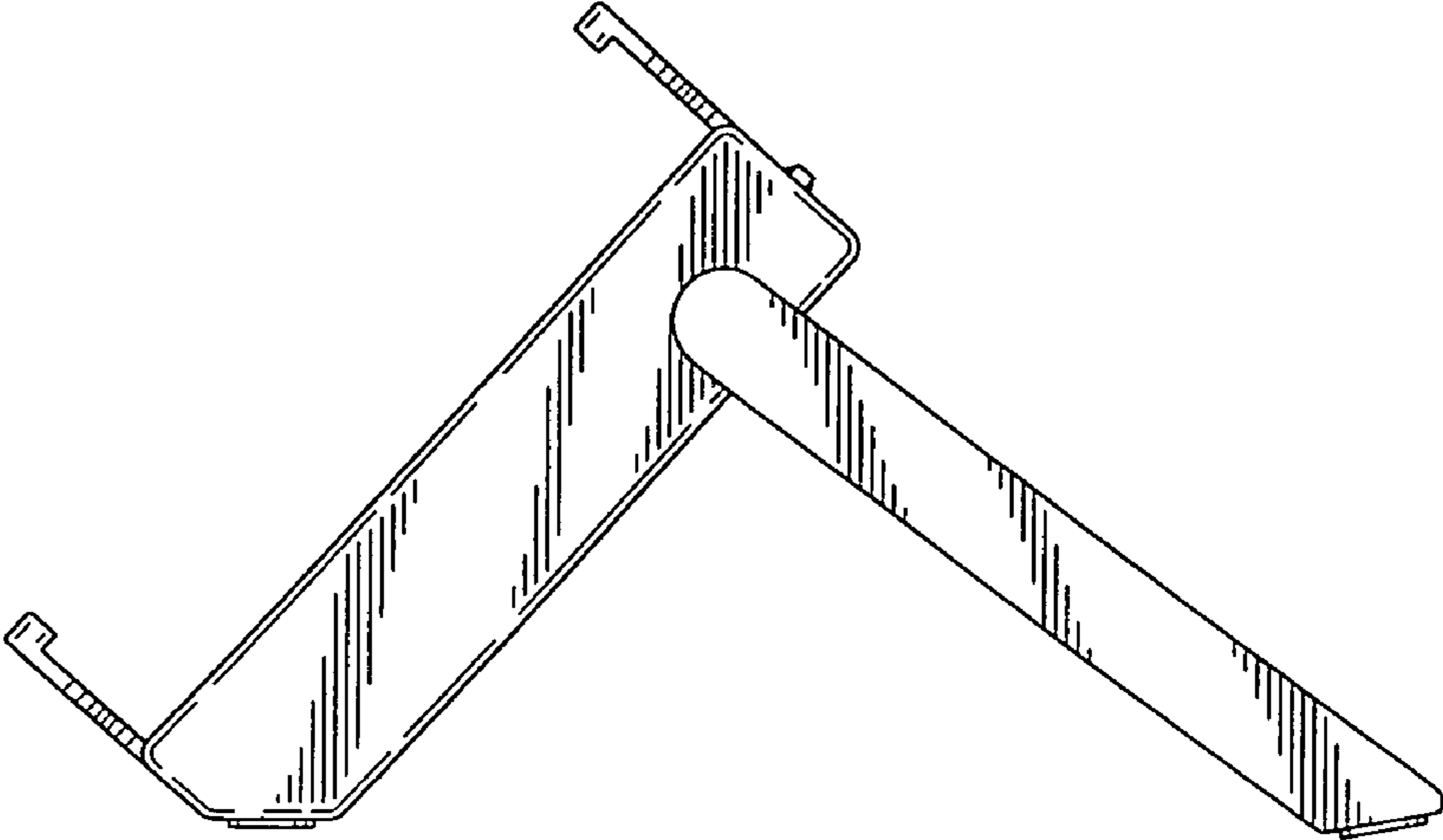


Fig. 5

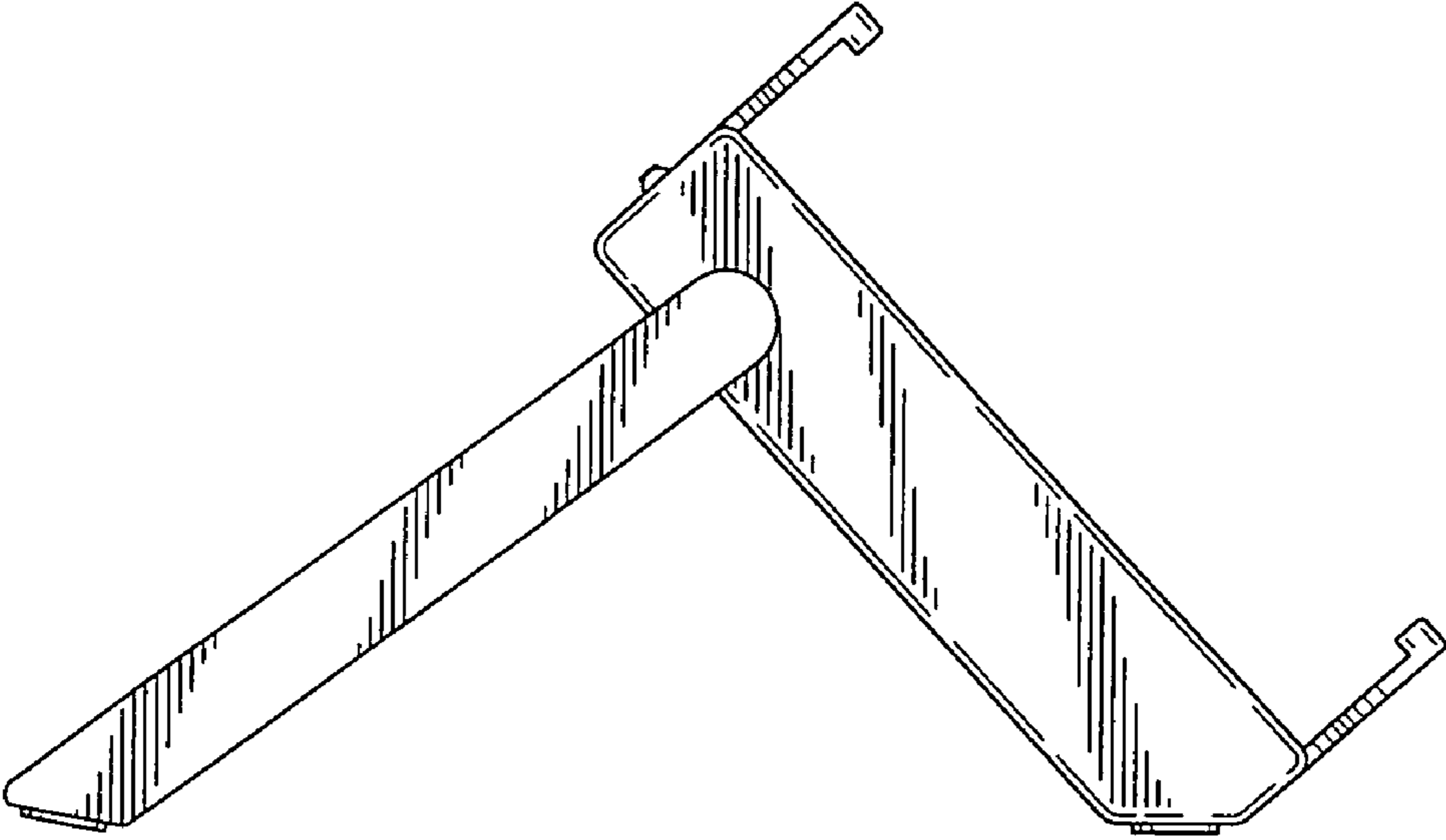


Fig. 6

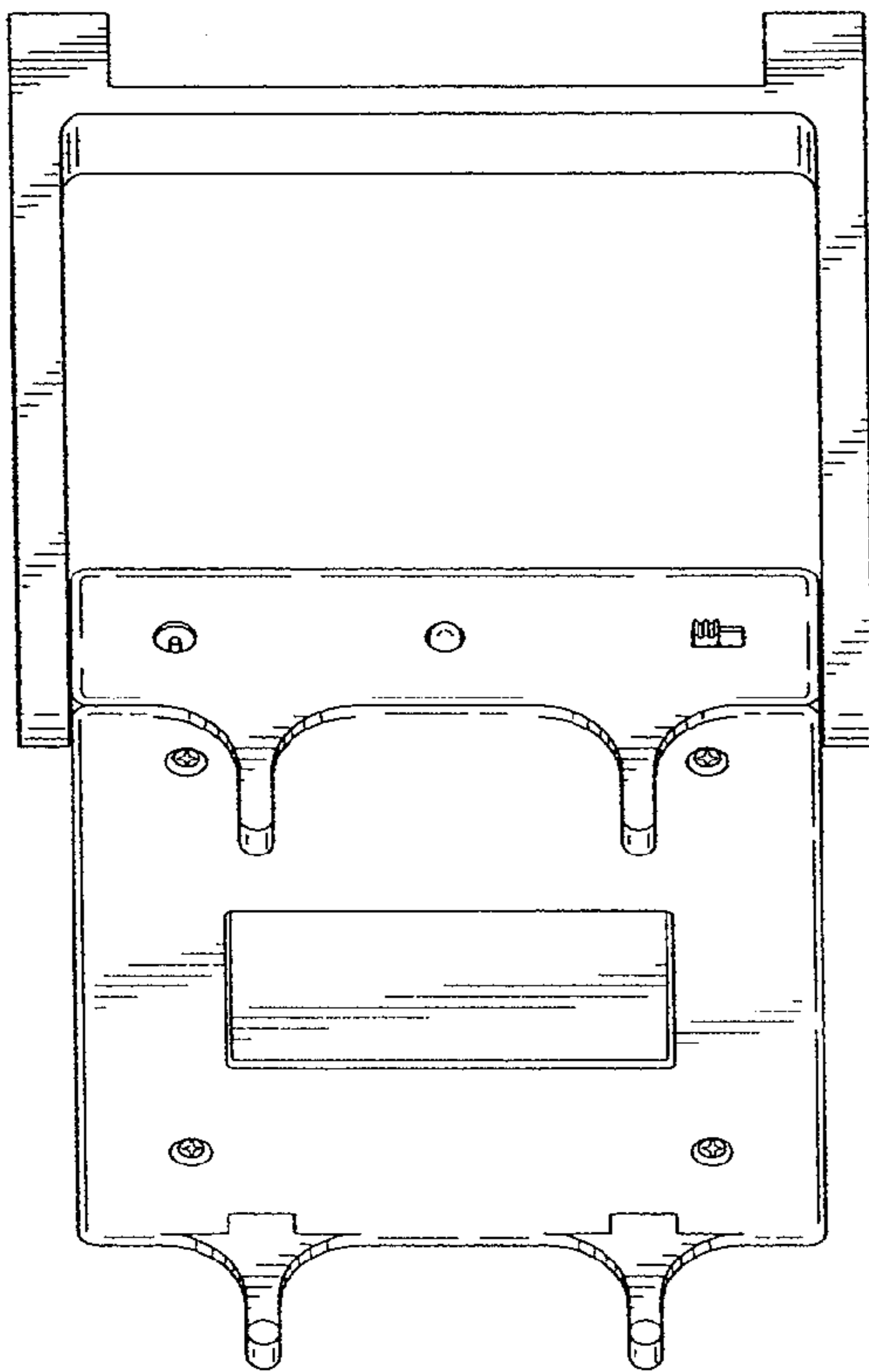


Fig. 7

