



US00D557204S

(12) **United States Design Patent** (10) **Patent No.:** **US D557,204 S**
Panebianco et al. (45) **Date of Patent:** **** Dec. 11, 2007**

(54) **REMOVABLE BATTERY**

(75) Inventors: **Gregory Paul Panebianco**, E.
 Greenwich, RI (US); **Richard James
 Preliasco**, North Kingstown, RI (US)

(73) Assignee: **ZIH Corp.**, Hamilton (BM)

(**) Term: **14 Years**

(21) Appl. No.: **29/250,051**

(22) Filed: **Oct. 31, 2006**

Related U.S. Application Data

(62) Division of application No. 29/210,269, filed on Jul. 29, 2004, now Pat. No. Des. 534,491.

(51) **LOC (8) Cl.** **13-02**

(52) **U.S. Cl.** **D13/103**

(58) **Field of Classification Search** D13/102-106,
 D13/110, 118-119, 184; 429/96-100, 163,
 429/176

See application file for complete search history.

(56) **References Cited**

U.S. PATENT DOCUMENTS

D297,633 S	9/1988	Peroni	
D304,026 S	10/1989	Goodner et al.	
D323,642 S	2/1992	Liao	
D374,424 S	10/1996	Nagele et al.	
D375,932 S	11/1996	Nagele et al.	
D376,127 S	12/1996	Nagele et al.	
D390,825 S	2/1998	Chen	
D395,278 S	6/1998	Nakui	
D403,655 S *	1/1999	Johansson D13/103
D406,098 S	2/1999	Walter et al.	
D406,811 S	3/1999	Richards et al.	
D409,623 S	5/1999	Bianco	
6,062,887 A	5/2000	Schuster et al.	
D439,879 S	4/2001	Rotundo	
D480,682 S	10/2003	Kawase	
D485,531 S	1/2004	Liao et al.	
D486,789 S	2/2004	Santiago	

D487,250 S	3/2004	Kikutani	
D506,065 S	6/2005	Sugino et al.	
D534,491 S *	1/2007	Panebianco et al. D13/119
D538,225 S *	3/2007	Lyman et al. D13/119

OTHER PUBLICATIONS

Zebra® QL Series Mobile Printer User Guide, Feb. 2004, pp. 8-14.
 Zebra® QL and QL Plus Series Mobile Printers, Quick Start Guide,
 2 pages.
Mobile Printer Chargers, User's Manual, Zebra Technologies Cor-
 poration, Mar. 2003, pp. 5-7.

* cited by examiner

Primary Examiner—Cathron C. Brooks
Assistant Examiner—Rosemary K. Tarcza
 (74) *Attorney, Agent, or Firm*—Alston & Bird LLP

(57) **CLAIM**

The ornamental design for a removable battery, as shown and described.

DESCRIPTION

FIG. 1 is a perspective view of a removable battery accord-
ing to one embodiment of the present invention;

FIG. 2 is a bottom view of the removable battery shown in
FIG. 1;

FIG. 3 is a right side elevation view of the removable battery
shown in FIG. 1;

FIG. 4 is a left side elevation view of the removable battery
shown in FIG. 1;

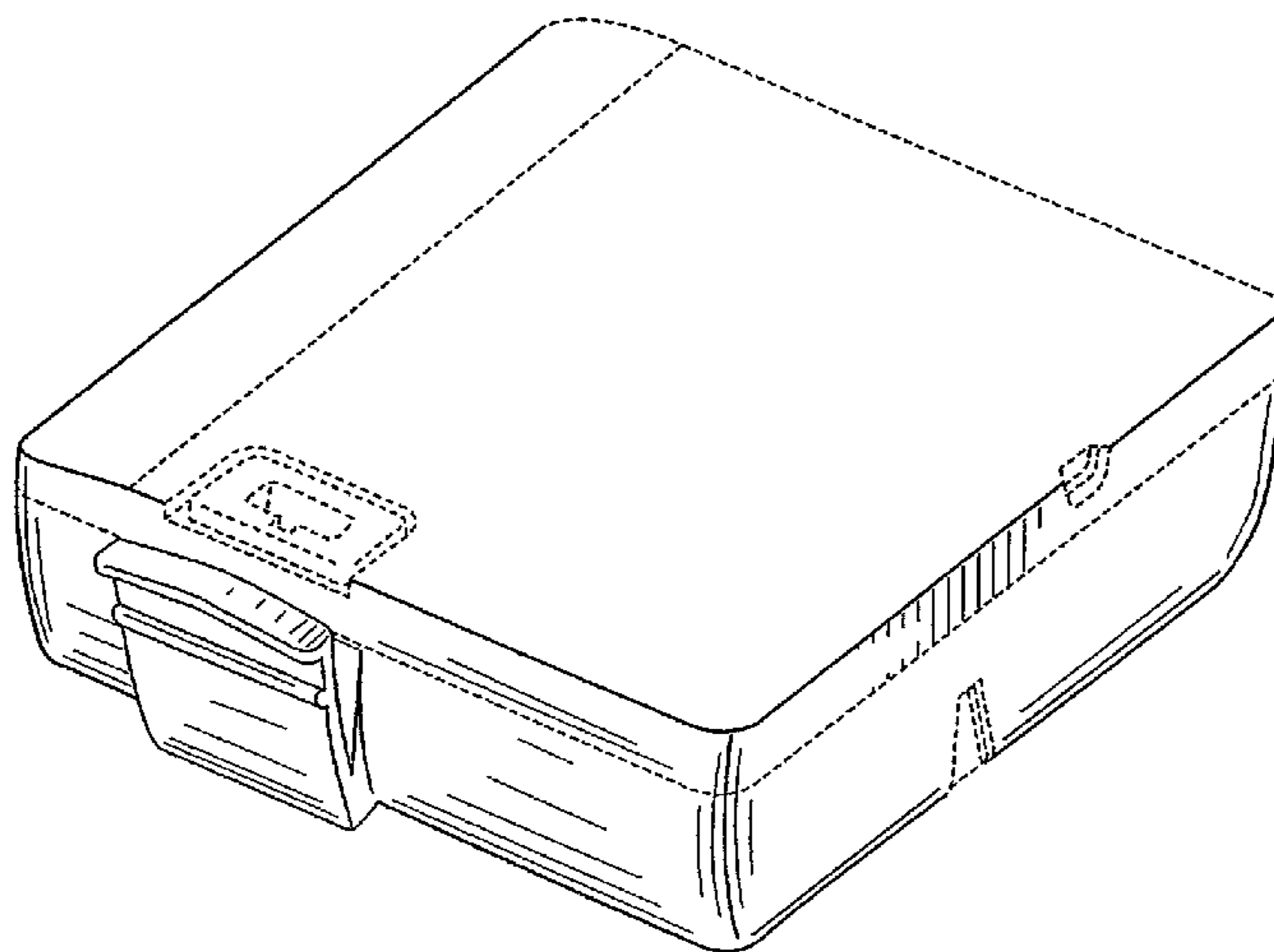
FIG. 5 is a front elevation view of the removable battery
shown in FIG. 1;

FIG. 6 is a rear elevation view of the removable battery
shown in FIG. 1; and,

FIG. 7 is a top view of the removable battery shown in FIG.
1.

The broken lines shown herein are for illustrative purposes
only and form no part of the claimed design.

1 Claim, 5 Drawing Sheets



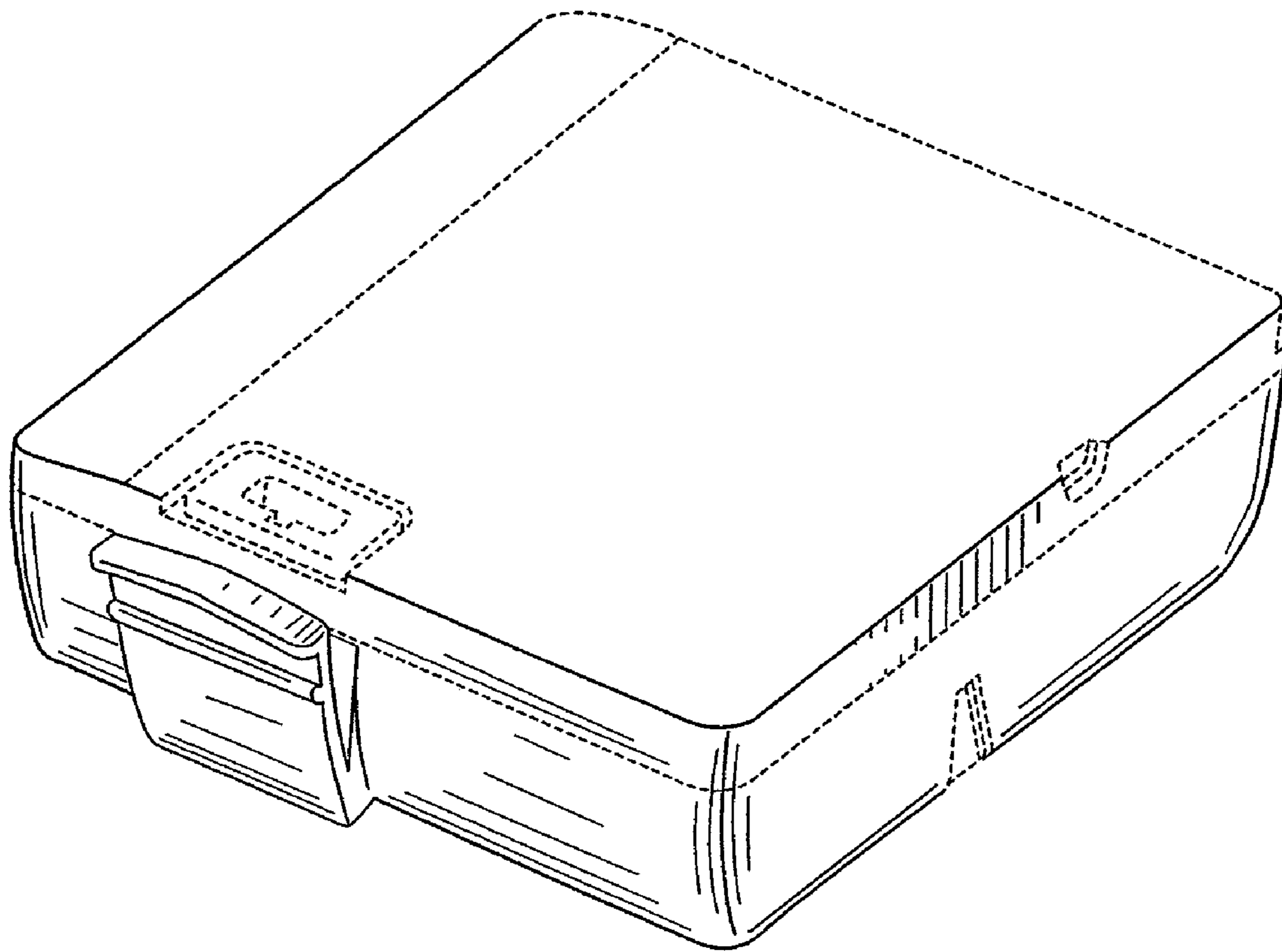


FIG. 1

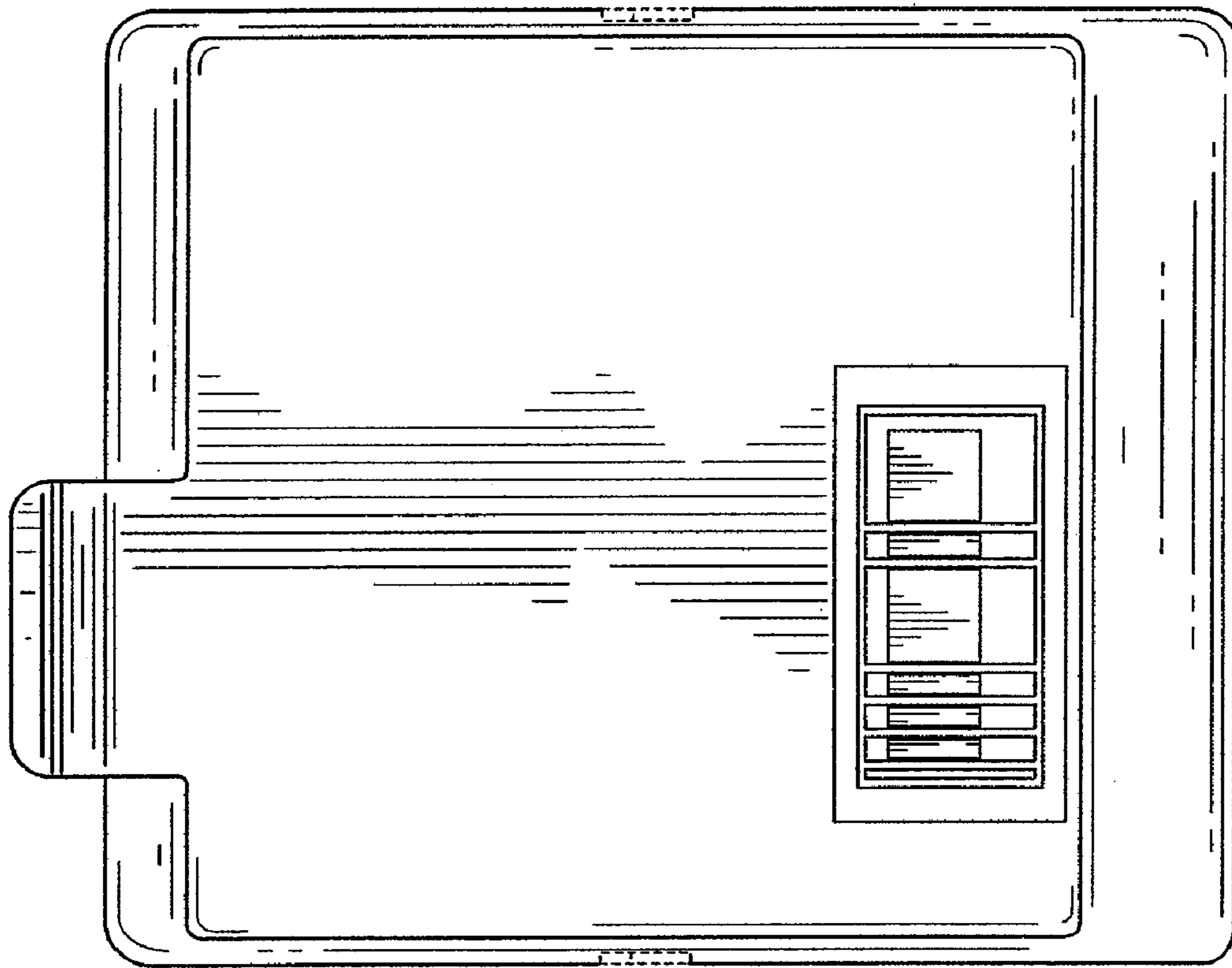


FIG. 2

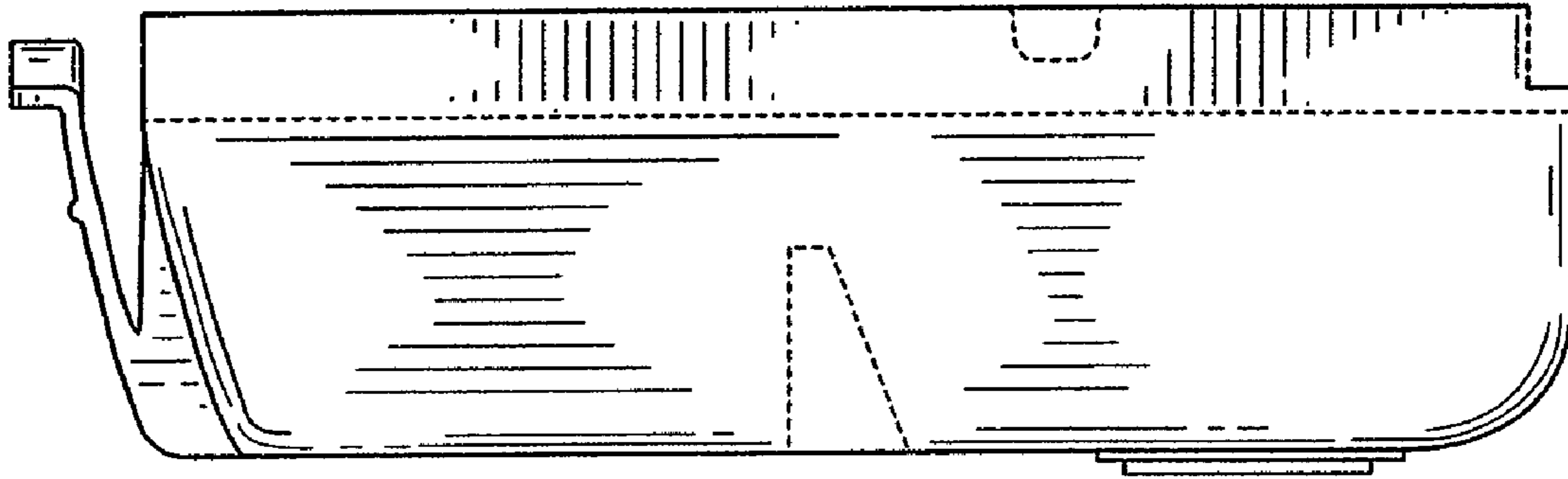


FIG. 3

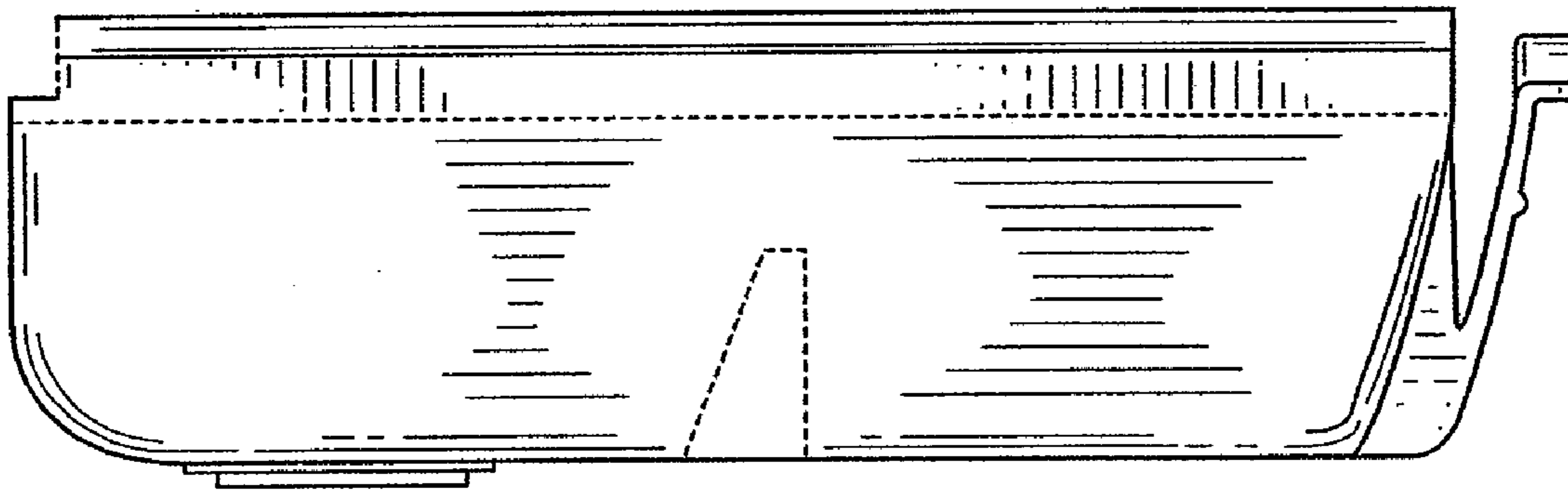


FIG. 4

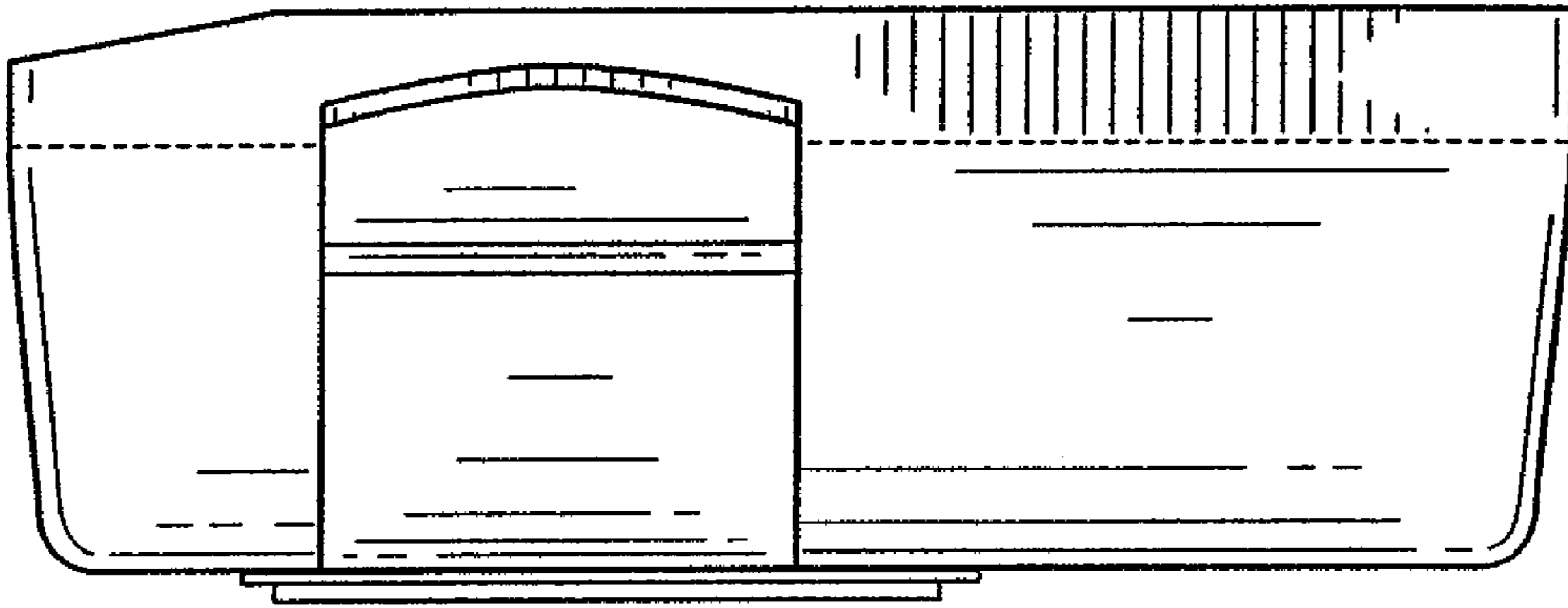


FIG. 5

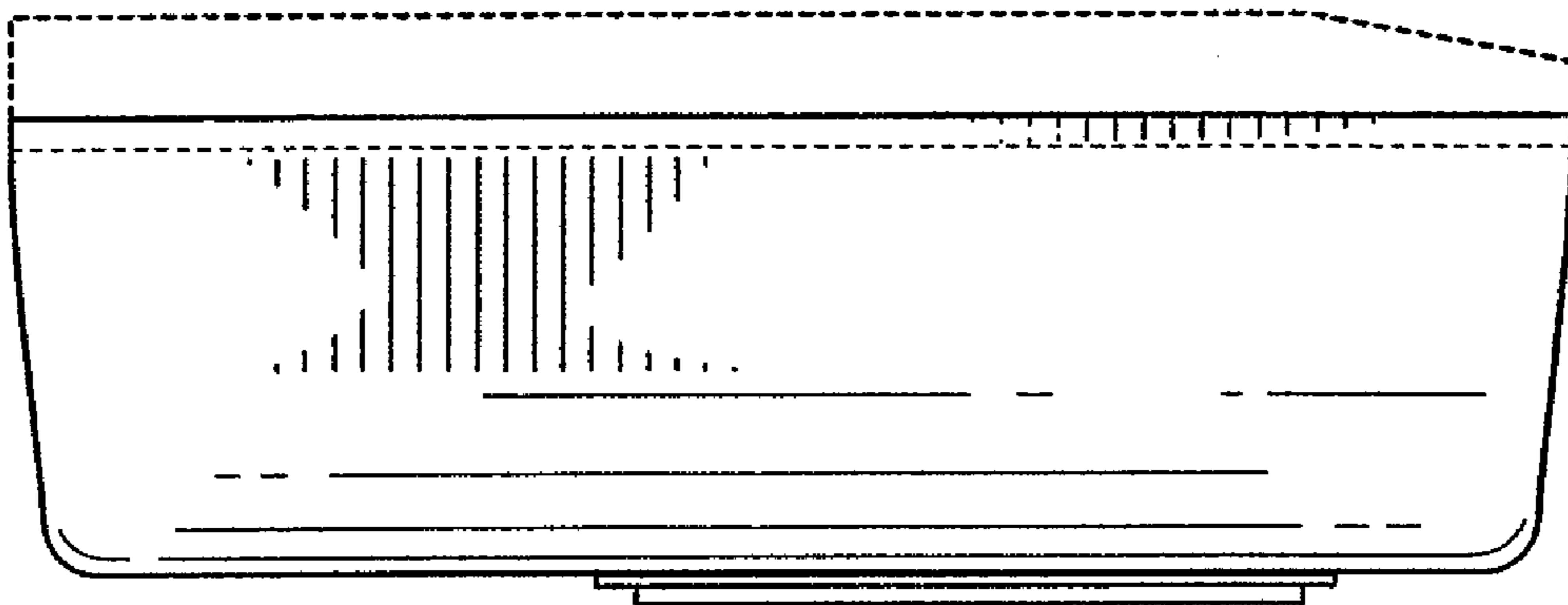


FIG. 6

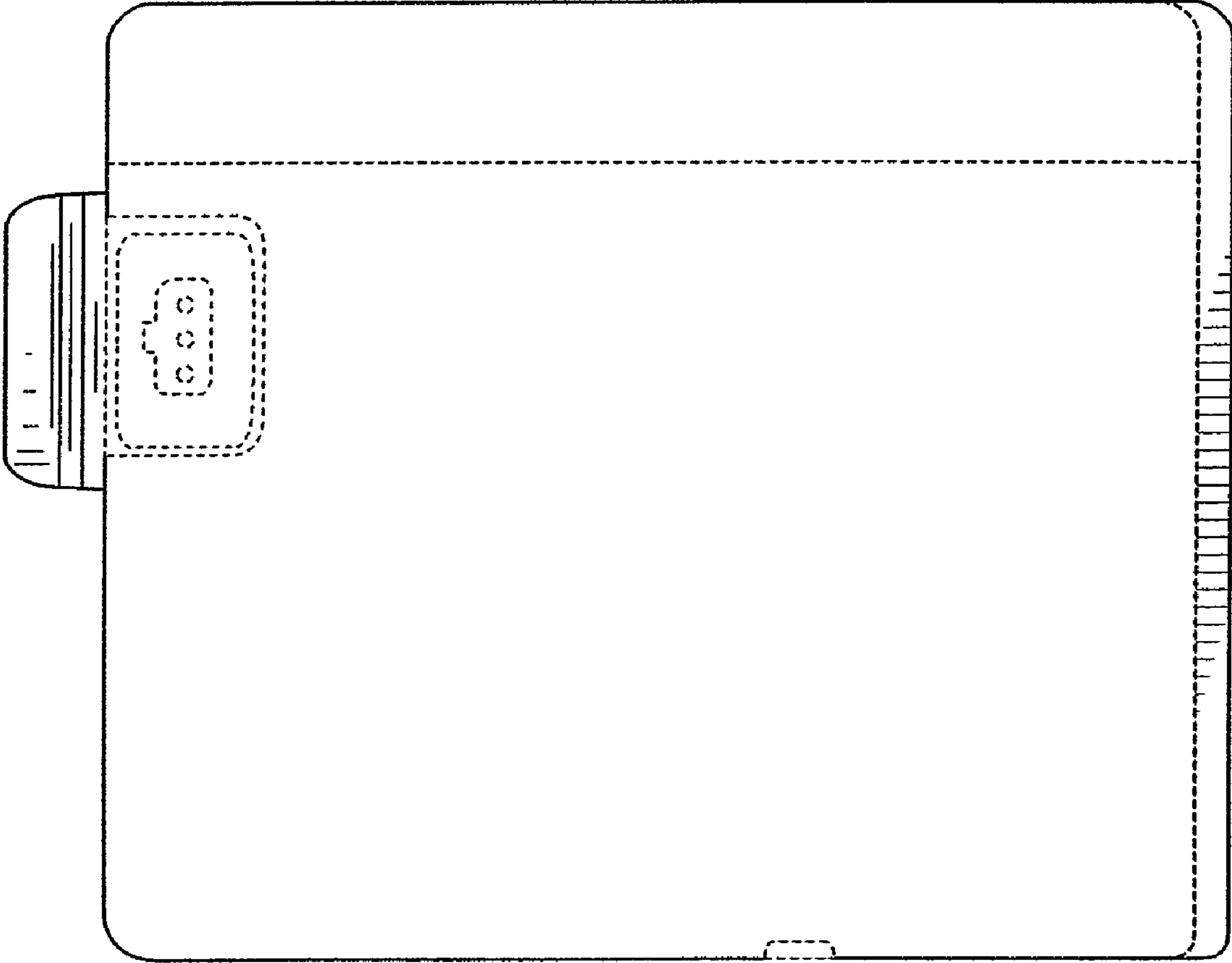


FIG. 7

UNITED STATES PATENT AND TRADEMARK OFFICE
CERTIFICATE OF CORRECTION

PATENT NO. : Des. 557,204 S
APPLICATION NO. : 29/250051
DATED : December 11, 2007
INVENTOR(S) : Panebianco et al.

Page 1 of 2

It is certified that error appears in the above-identified patent and that said Letters Patent is hereby corrected as shown below:

Drawings,

Sheet 3 should be deleted to be substituted with the attached sheet 3, as shown on the attached page.

Signed and Sealed this

Second Day of September, 2008

A handwritten signature in black ink that reads "Jon W. Dudas". The signature is written in a cursive style with a large, looped initial "J".

JON W. DUDAS

Director of the United States Patent and Trademark Office

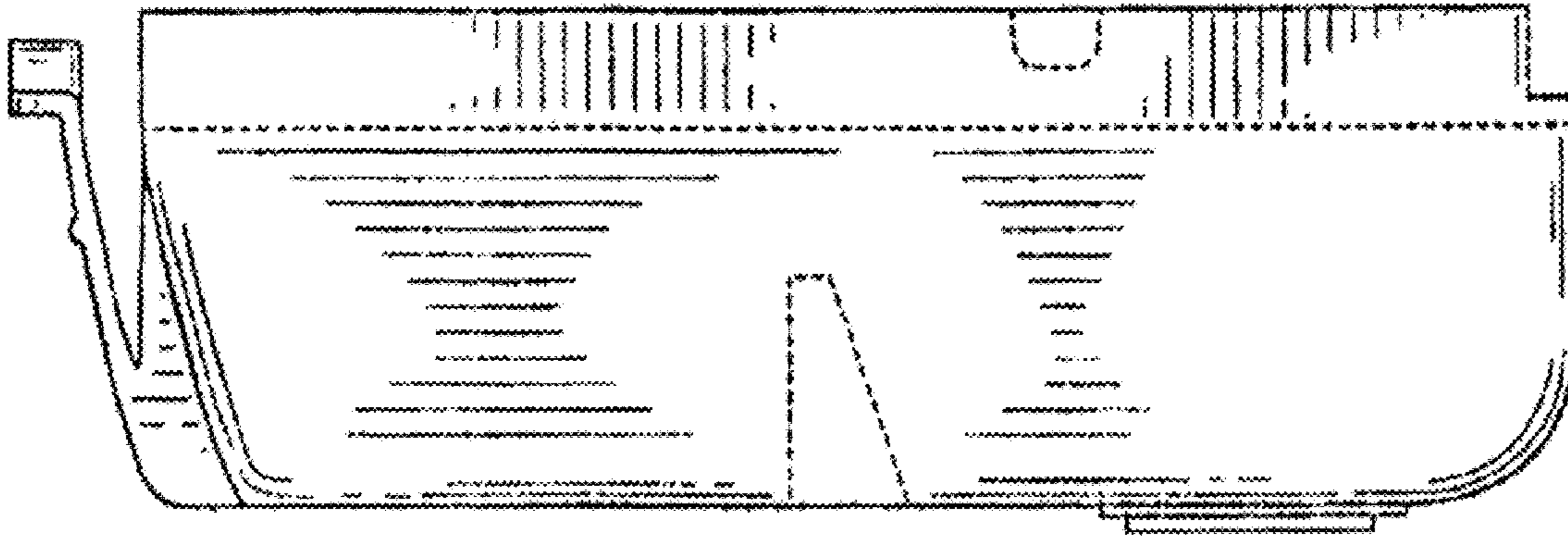


FIG. 3

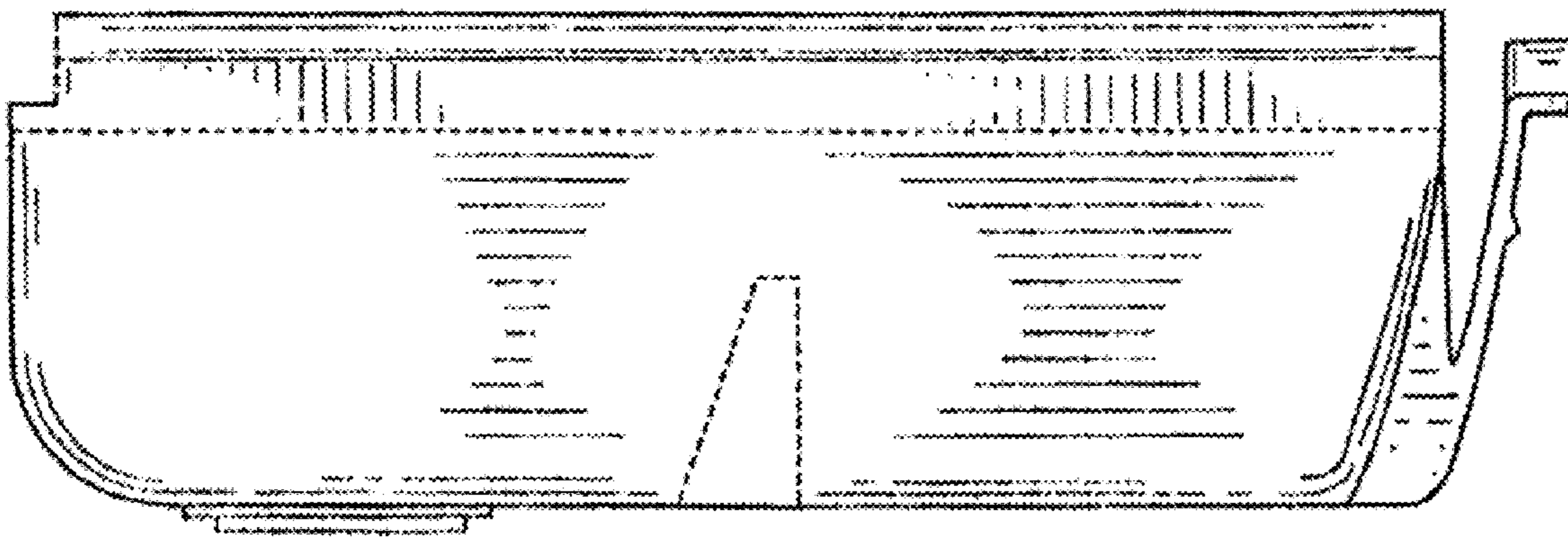


FIG. 4