



US00D557203S

(12) **United States Design Patent**
Grunow et al.

(10) **Patent No.:** **US D557,203 S**

(45) **Date of Patent:** **** Dec. 11, 2007**

(54) **BATTERY**

(75) Inventors: **Jonathan T. Grunow**, Indian Trail, NC
(US); **Larry Keith Hooks, Jr.**,
Charlotte, NC (US)

(73) Assignee: **Hand Held Products, Inc.**, Skaneateles
Falls, NY (US)

(**) Term: **14 Years**

(21) Appl. No.: **29/248,007**

(22) Filed: **Jul. 25, 2006**

(51) **LOC (8) Cl.** **13-02**

(52) **U.S. Cl.** **D13/103**

(58) **Field of Classification Search** D13/102-106,
D13/110, 118-119, 184; 429/96-100, 163,
429/176

See application file for complete search history.

(56) **References Cited**

U.S. PATENT DOCUMENTS

D359,267 S * 6/1995 Berry et al. D13/103
D374,424 S * 10/1996 Nagele et al. D13/103
D375,482 S * 11/1996 Andrews D13/103
D376,127 S * 12/1996 Nagele et al. D13/103
D406,098 S * 2/1999 Walter et al. D13/103

D422,962 S * 4/2000 Shevlin et al. D13/103
D439,879 S * 4/2001 Rotundo D13/103
D457,133 S * 5/2002 Yoneyama D13/103
D475,679 S * 6/2003 Cooper et al. D13/103
D506,065 S * 6/2005 Sugino et al. D3/294
D522,451 S * 6/2006 Hayes et al. D13/103
D529,438 S * 10/2006 Viduya et al. D13/103
D534,491 S * 1/2007 Panebianco et al. D13/119

* cited by examiner

Primary Examiner—Cathron C. Brooks

Assistant Examiner—Rosemary K. Tarcza

(74) *Attorney, Agent, or Firm*—Gerald P. Joyce, III

(57) **CLAIM**

The ornamental design for a battery, as shown and described.

DESCRIPTION

FIG. 1 is a perspective view of a battery:

FIG. 2 is a bottom of the battery shown in FIG. 1;

FIG. 3 is a top view of the battery shown in FIG. 1;

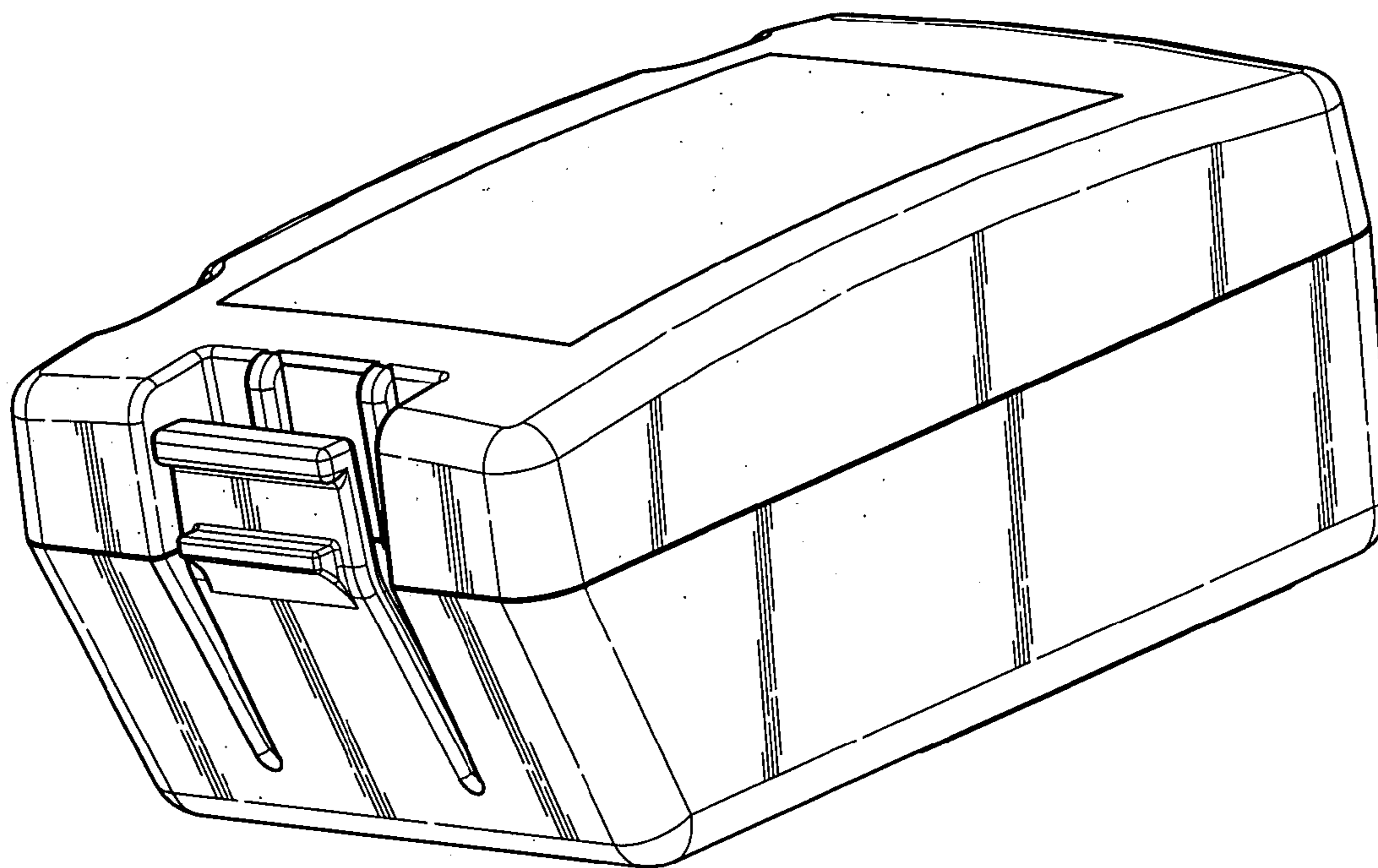
FIG. 4 is a side view of the battery shown in FIG. 1;

FIG. 5 is another side view of the battery shown in FIG. 1;

FIG. 6 is a front view of the battery shown in FIG. 1; and,

FIG. 7 is a rear view of the battery shown in FIG. 1.

1 Claim, 7 Drawing Sheets



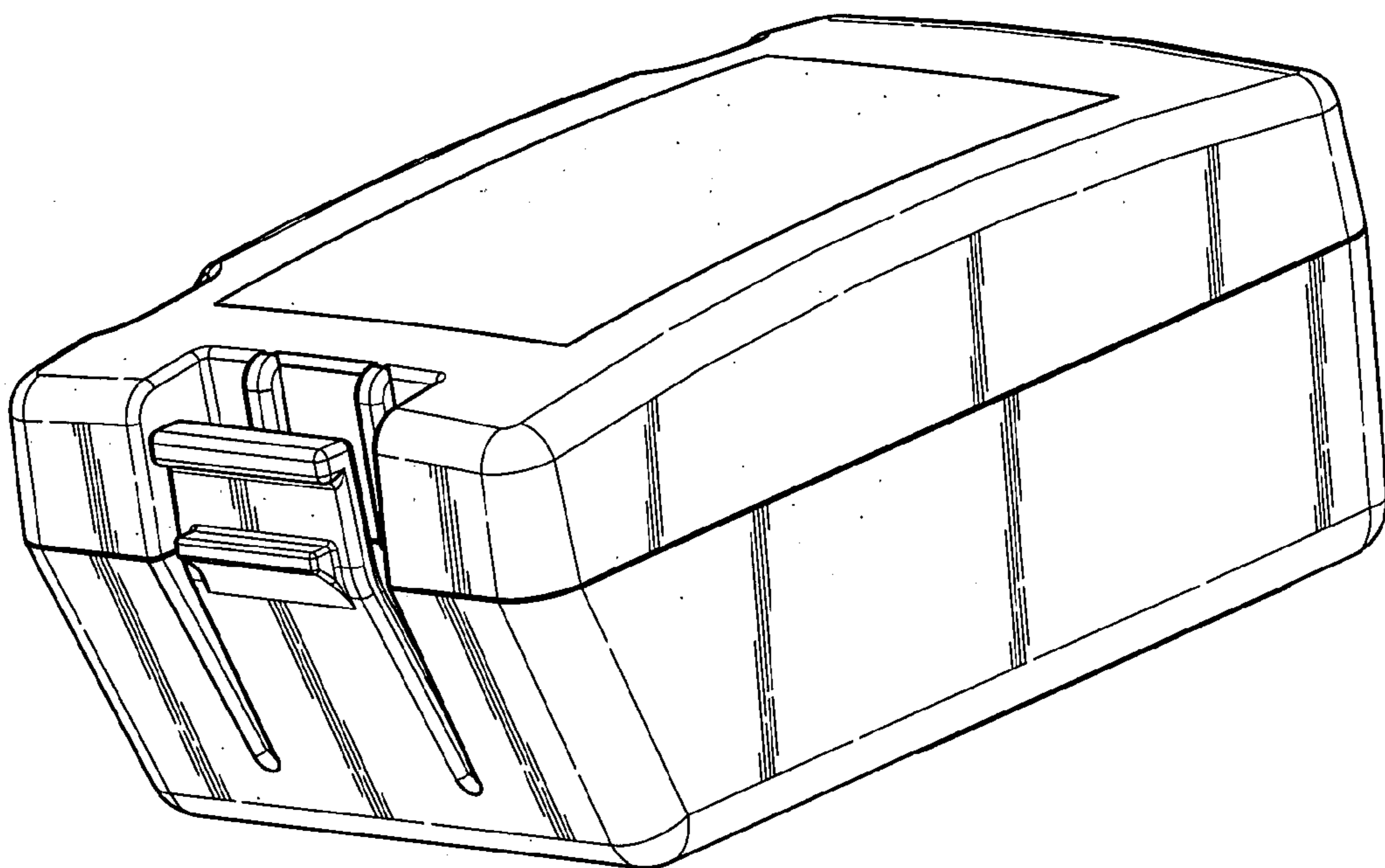


FIG. 1

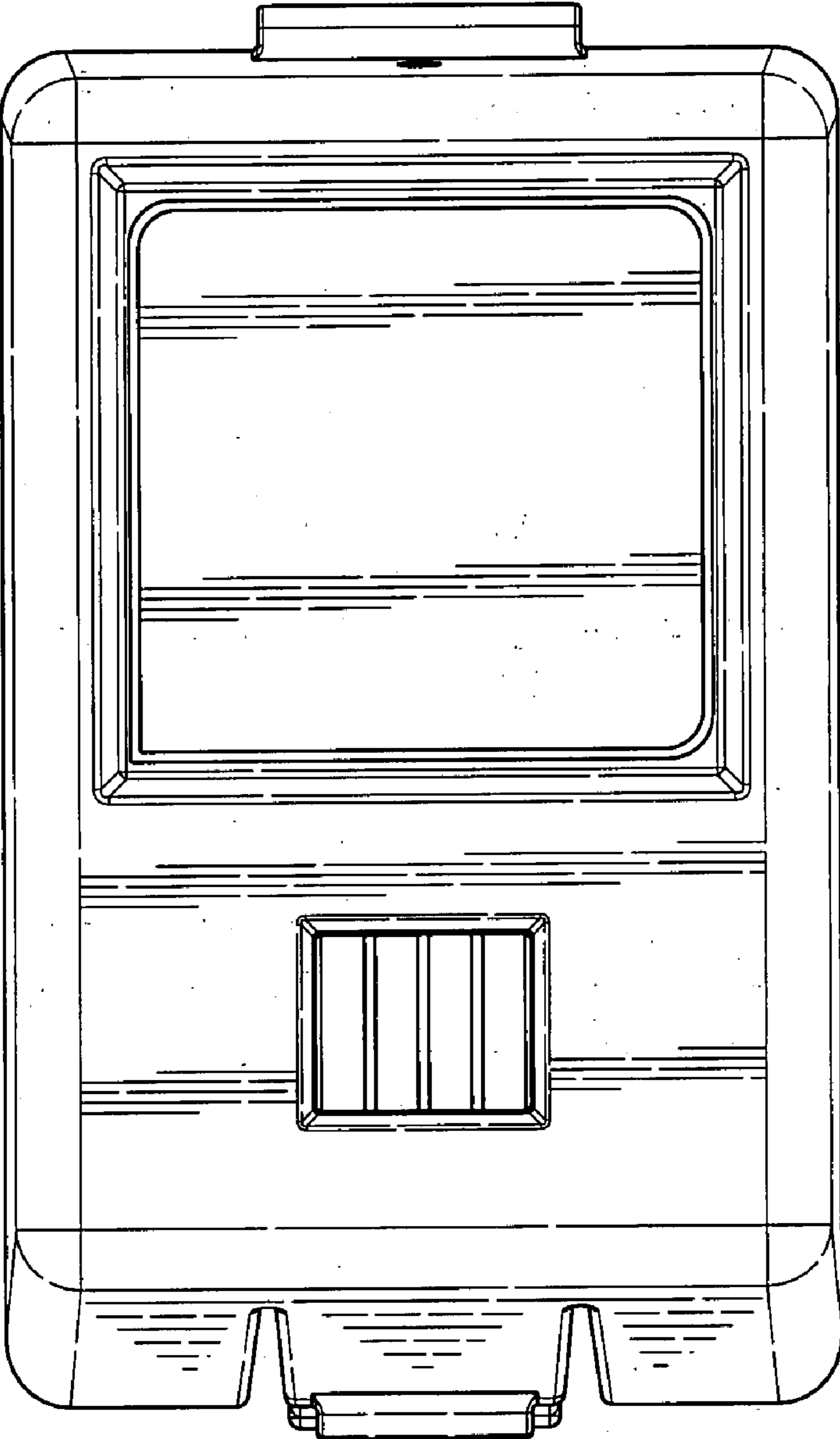


FIG. 2

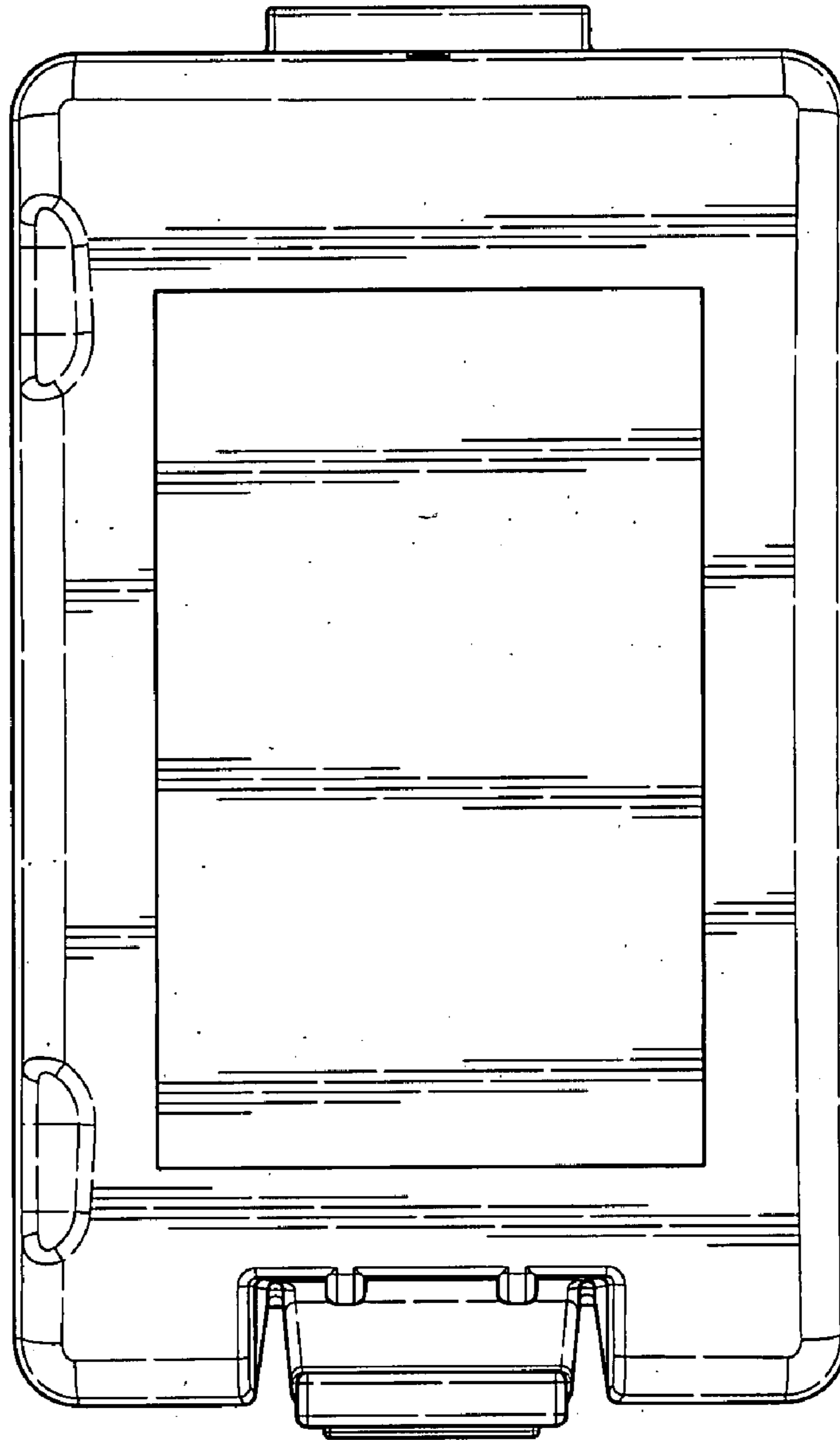


FIG. 3

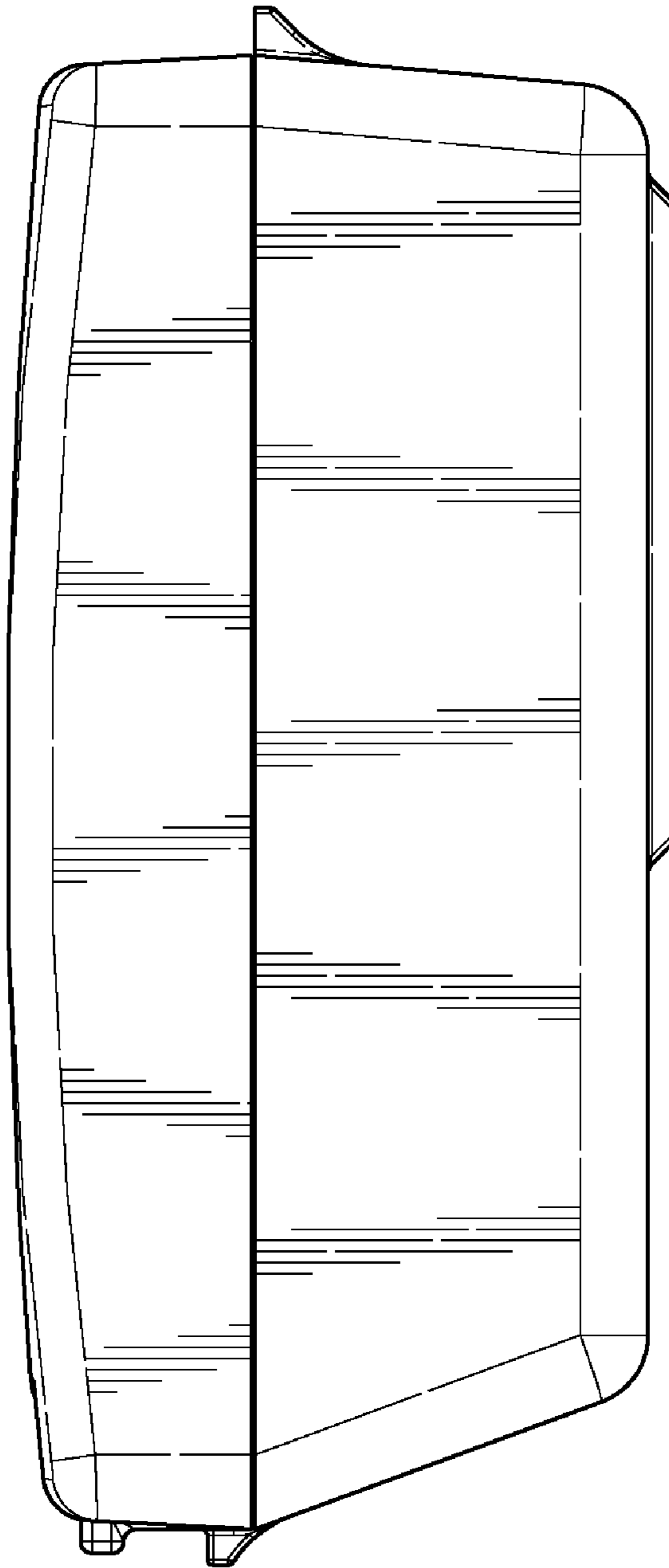


FIG. 4

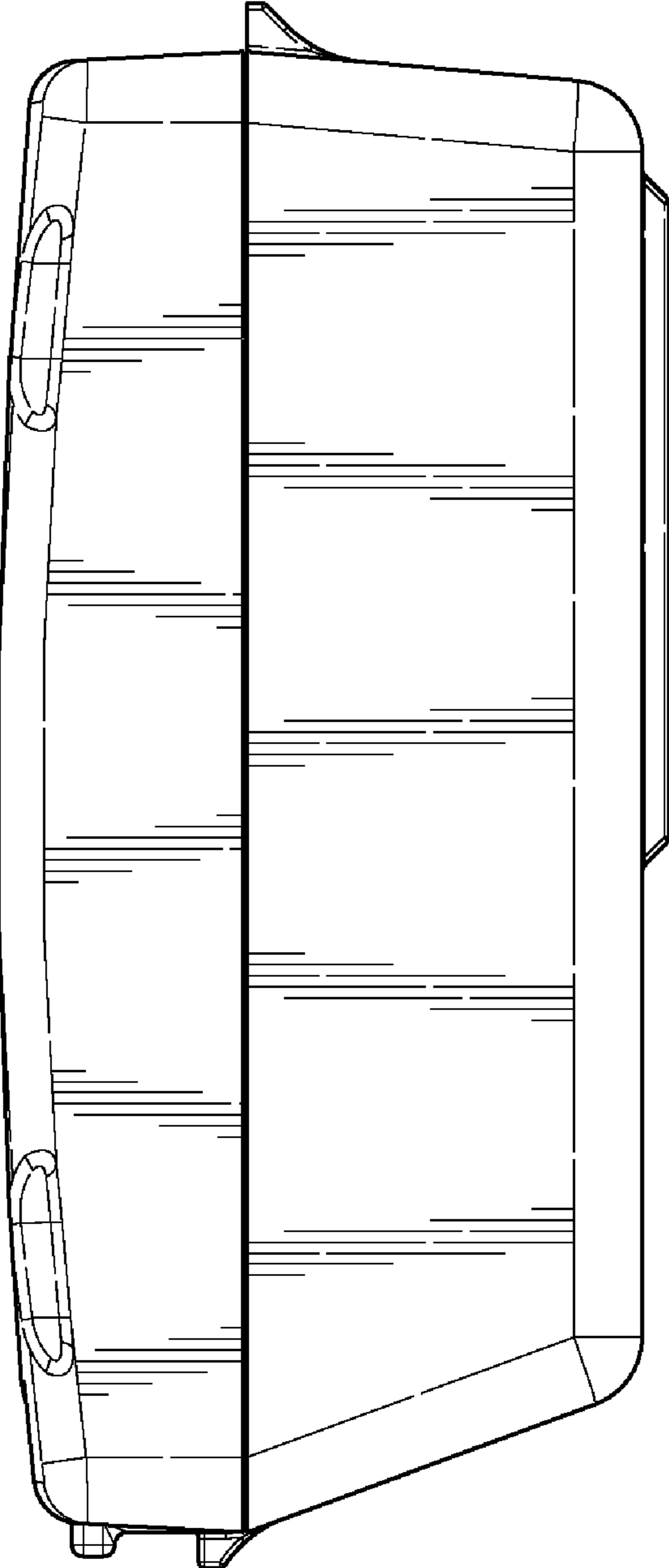


FIG. 5

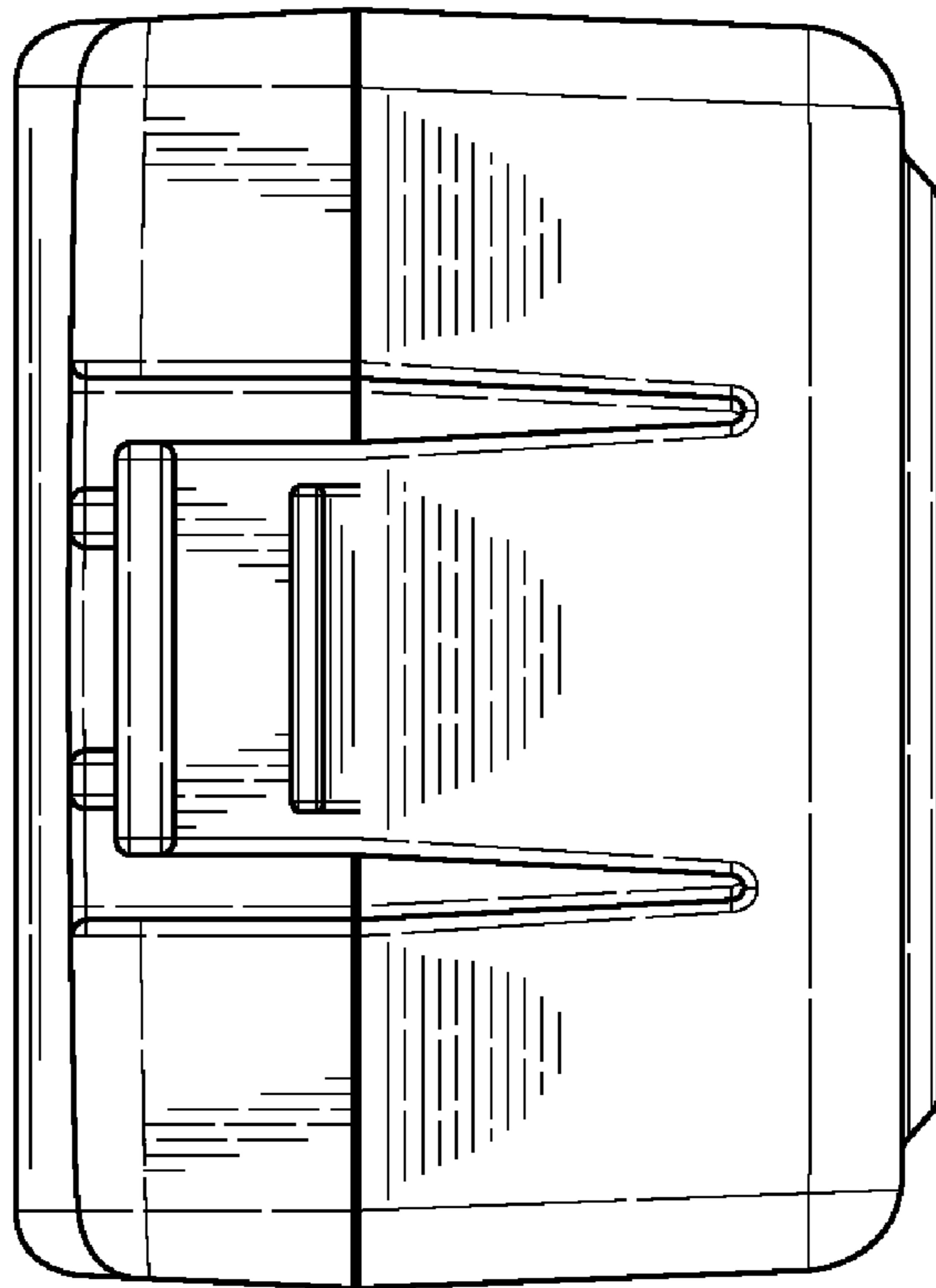


FIG. 6

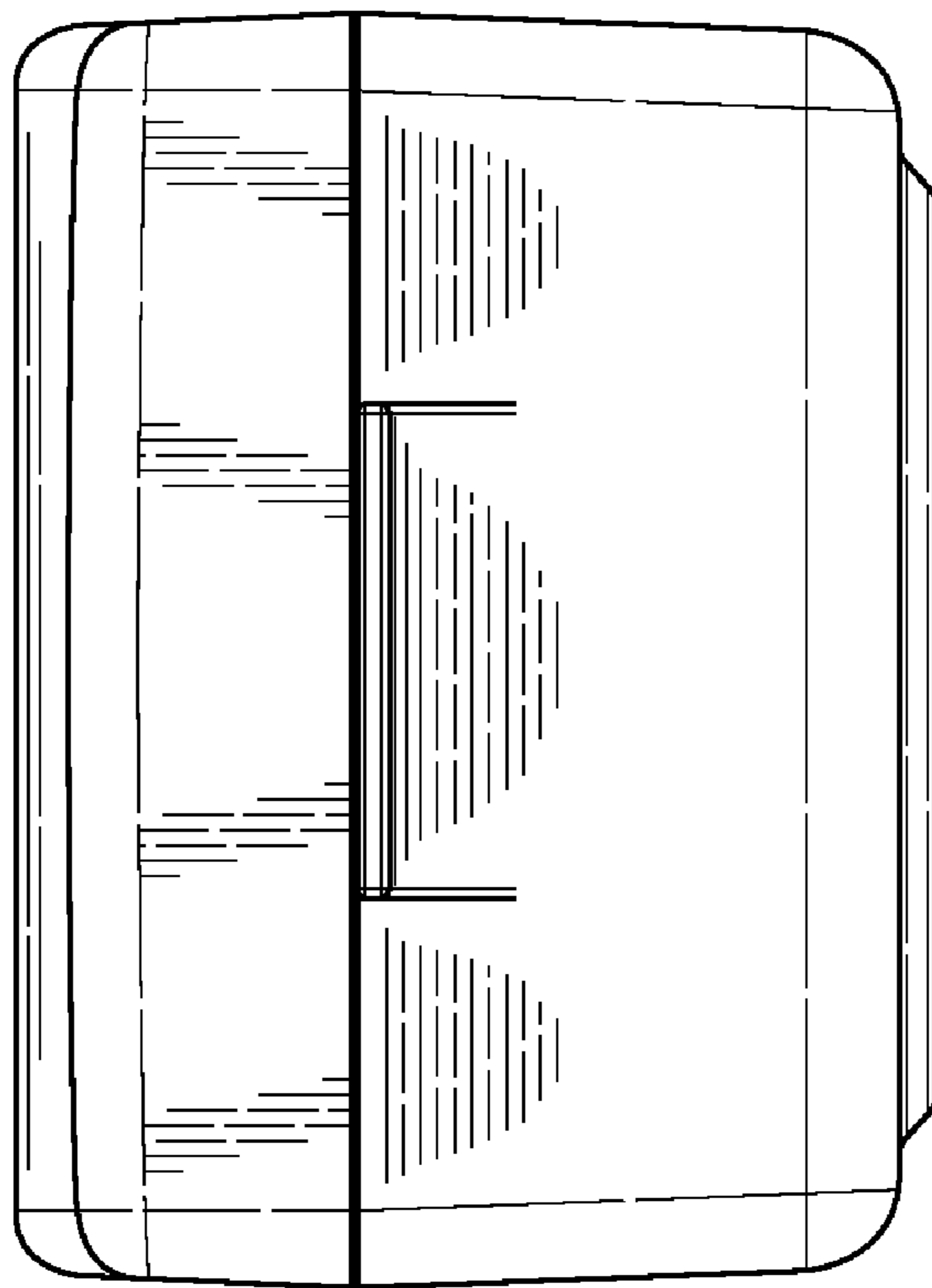


FIG. 7