



US00D557193S

(12) **United States Design Patent**
Holland

(10) **Patent No.:** **US D557,193 S**

(45) **Date of Patent:** **** Dec. 11, 2007**

(54) **PONTOON OF A BOAT**

(76) Inventor: **Wayne Alfred Holland**, 62 Argonaut Avenue, Waikiki, Western Australia, 6169 (AU)

(**) Term: **14 Years**

(21) Appl. No.: **29/224,313**

(22) Filed: **Feb. 28, 2005**

(30) **Foreign Application Priority Data**

Aug. 31, 2006 (AU) 200414141

(51) **LOC (8) Cl.** **12-06**

(52) **U.S. Cl.** **D12/317**

(58) **Field of Classification Search** D12/300, D12/301, 303-306, 310-318; D25/119, D25/124; 114/61.1, 61.11-61.19, 283
See application file for complete search history.

(56) **References Cited**

U.S. PATENT DOCUMENTS

- D287,082 S * 12/1986 Gambon D6/491
- D373,431 S * 9/1996 Douglas et al. D25/136
- D455,704 S * 4/2002 Vangen D12/317
- D468,451 S * 1/2003 Kowalczyk et al. D25/119
- D480,483 S * 10/2003 Eichner et al. D25/119
- D481,665 S * 11/2003 Kinkead D12/317

D520,935 S * 5/2006 Schoell D12/317

* cited by examiner

Primary Examiner—Holly H. Baynham

Assistant Examiner—Cynthia M. Chin

(74) *Attorney, Agent, or Firm*—Needle & Rosenberg, P.C.

(57) **CLAIM**

The ornamental design for a pontoon of a boat, as shown and described.

DESCRIPTION

FIG. 1 is a perspective view of the pontoon of a boat showing my new design;

FIG. 2 is a partial perspective view of the pontoon of FIG. 1;

FIG. 3 is a front view of the pontoon of FIG. 1;

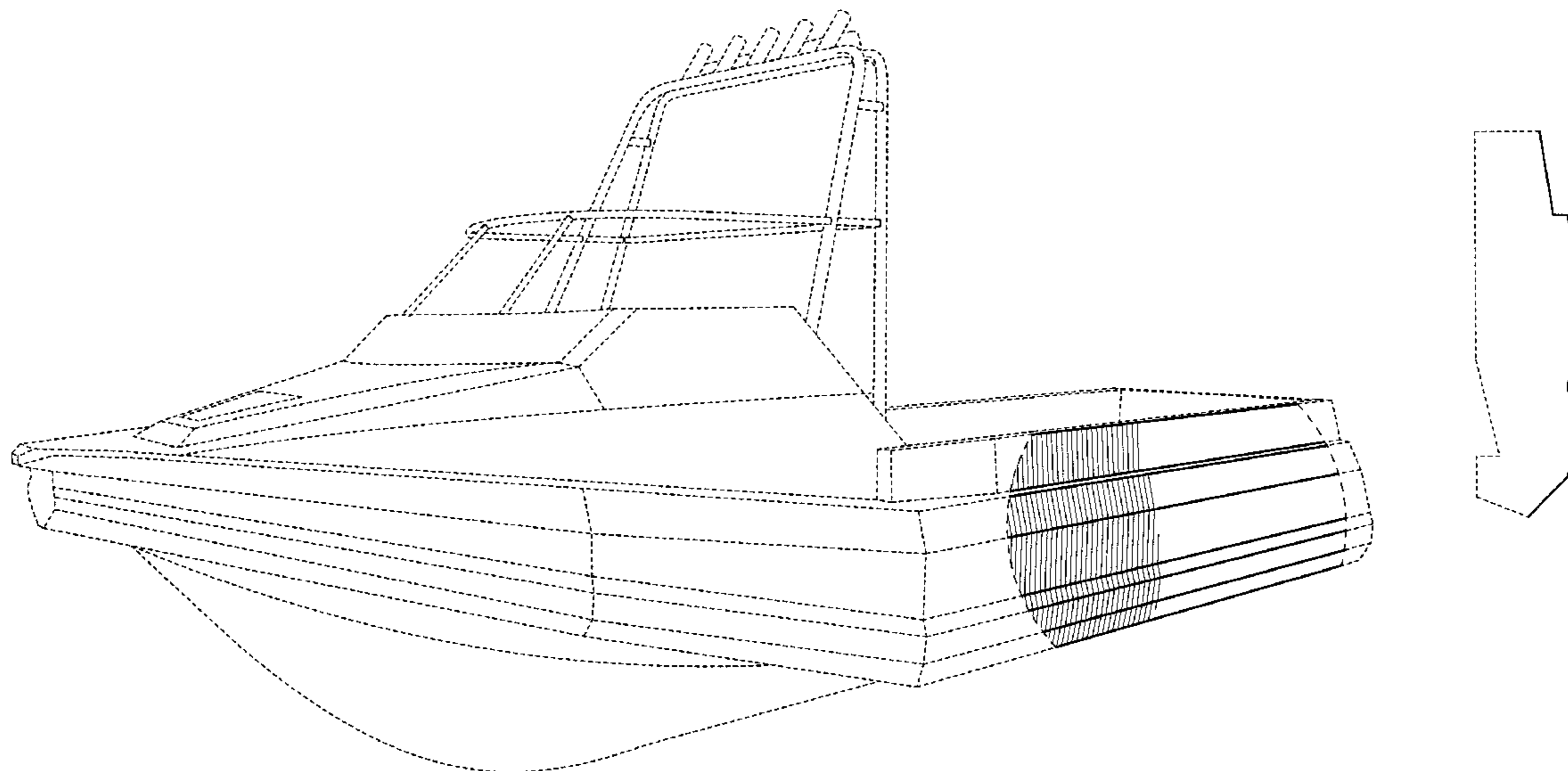
FIG. 4 is a partial top plan view of the pontoon of FIG. 2;

FIG. 5 is a partial side elevational view of the pontoon of FIG. 2; and,

FIG. 6 is a partial bottom plan view of the pontoon of FIG. 2.

The broken lines immediately adjacent the shaded areas in FIG. 1 represent the bounds of the claim and all other broken lines are for illustrative purposes only. None of the broken lines form a part of the claimed design.

1 Claim, 2 Drawing Sheets



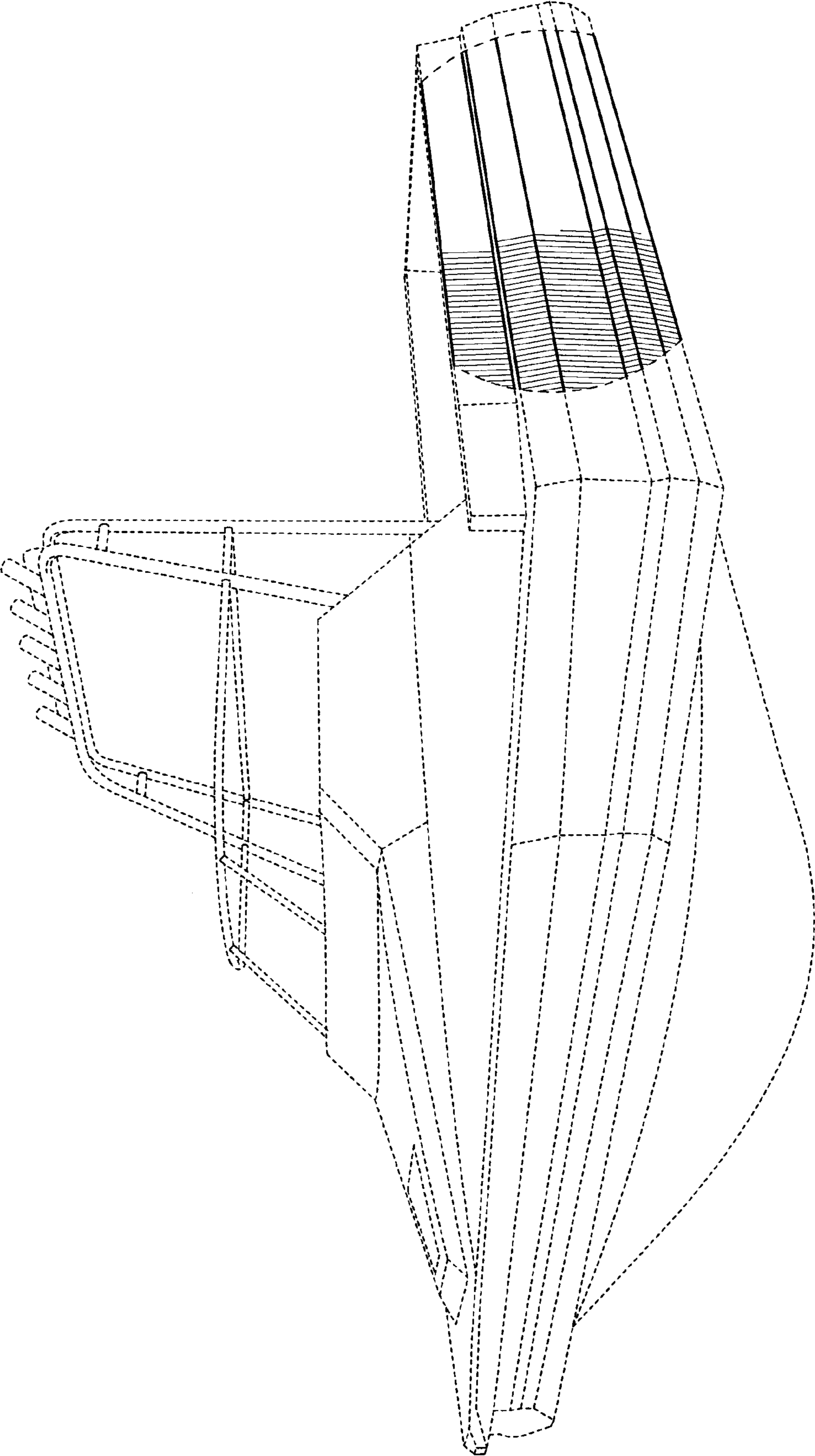


FIG 1

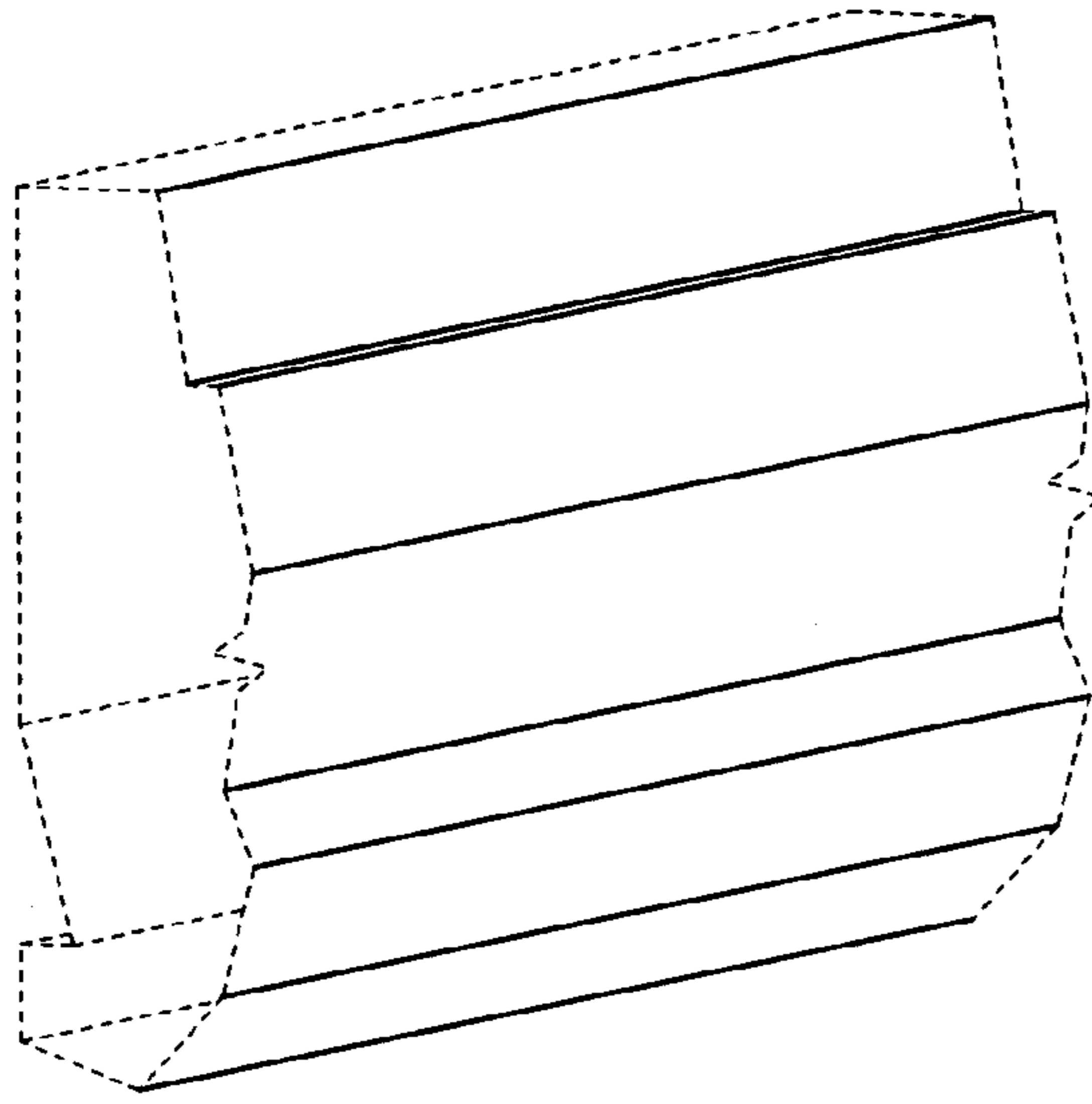


FIG 2

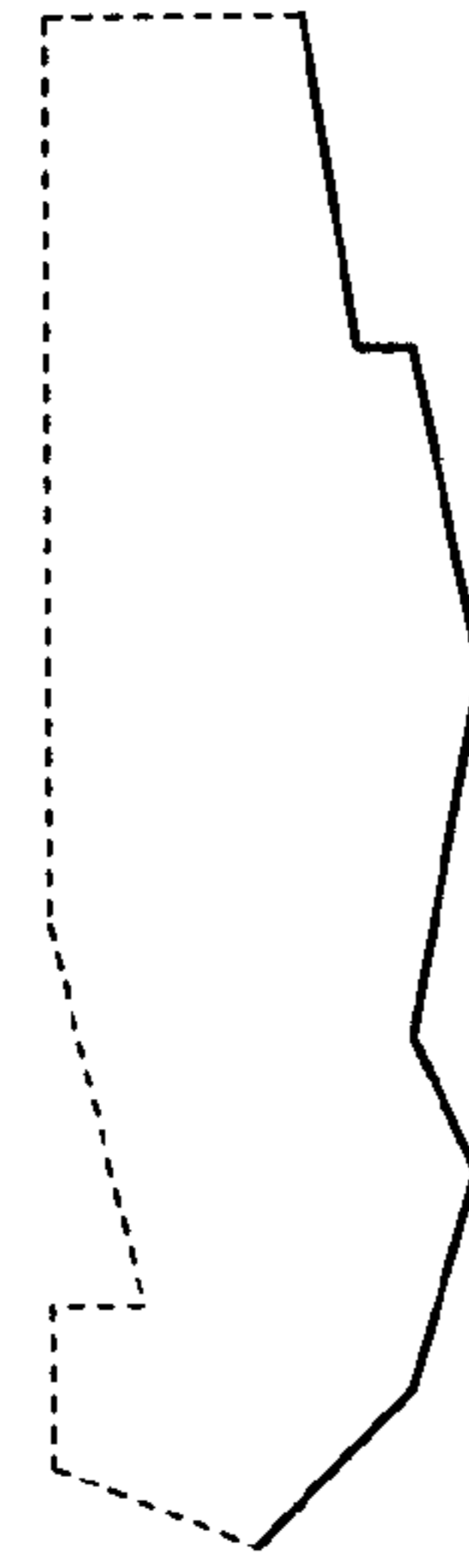


FIG 3

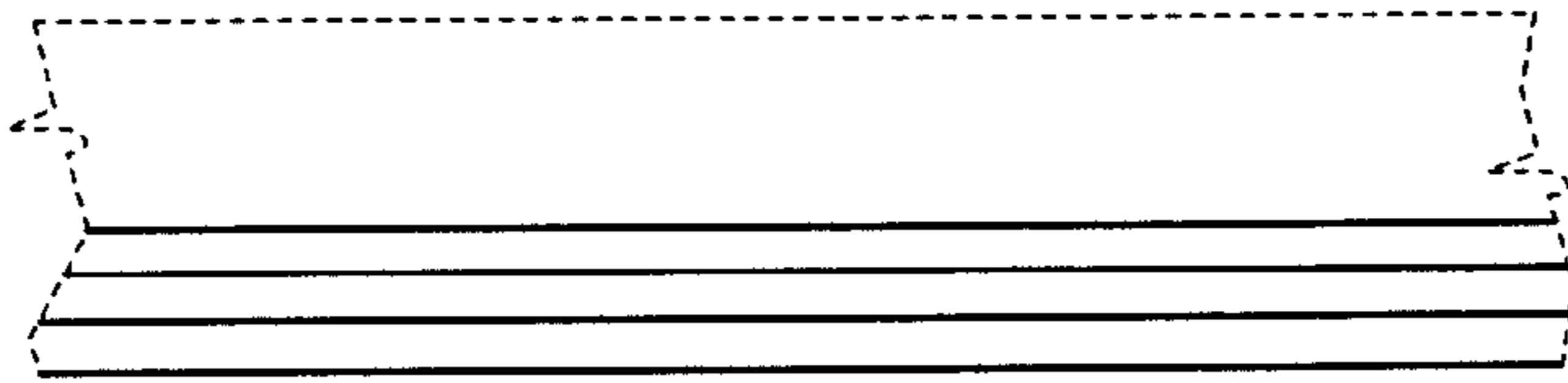


FIG 4

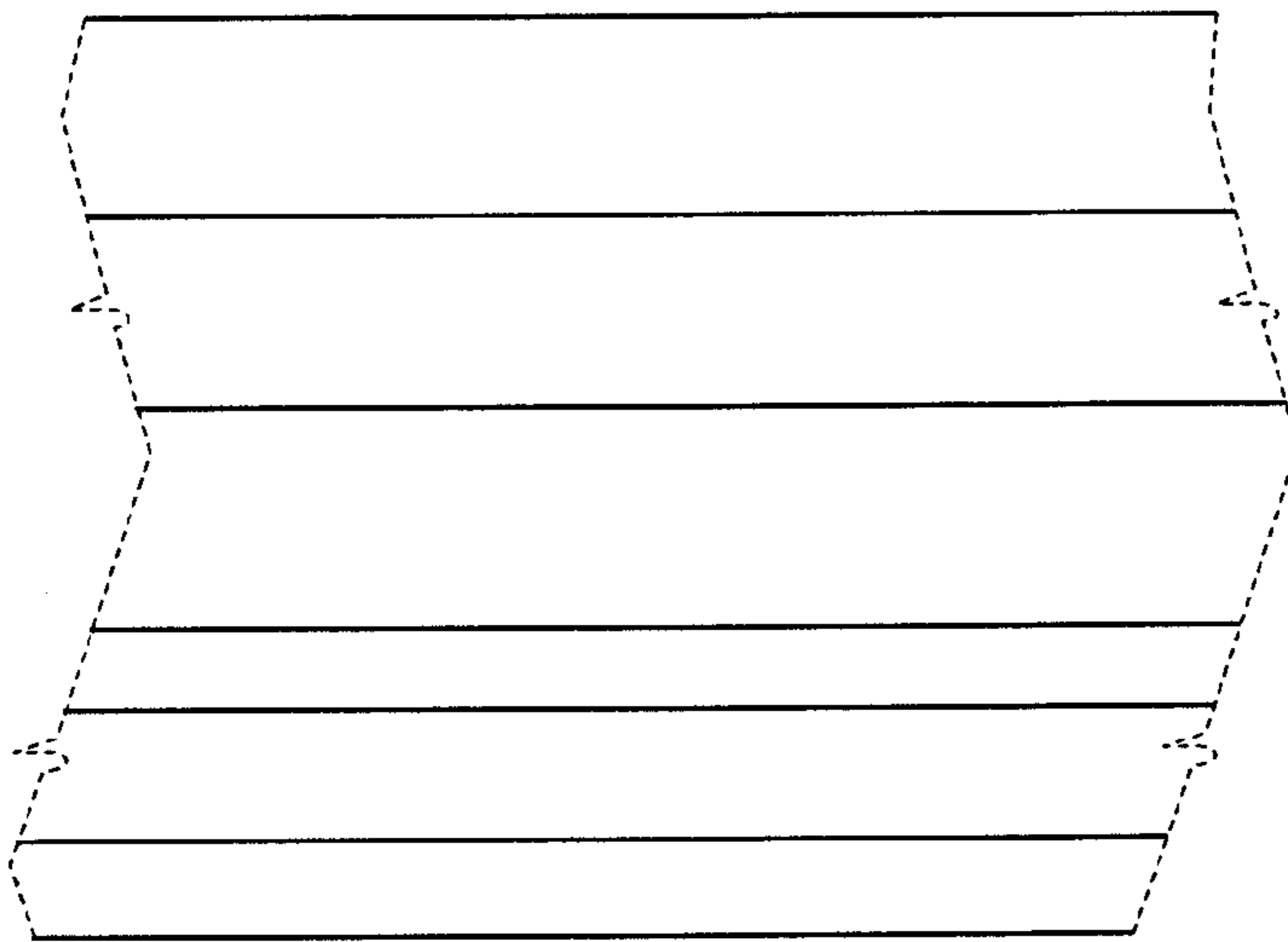


FIG 5

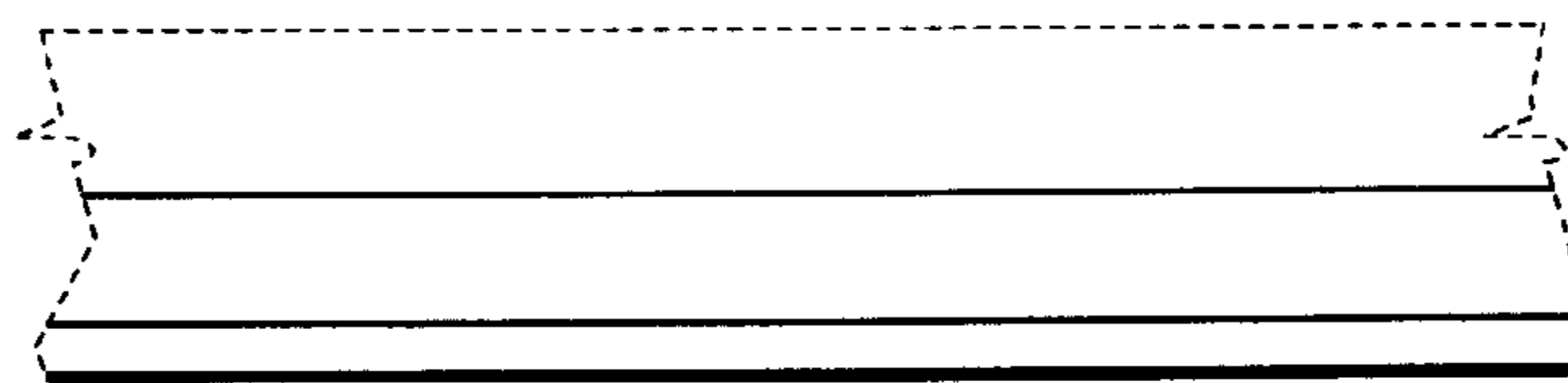


FIG 6