



US00D557188S

(12) **United States Design Patent**  
**Xu**

(10) **Patent No.:** **US D557,188 S**

(45) **Date of Patent:** **\*\* Dec. 11, 2007**

(54) **MOTORCYCLE REAR COVER**

(75) Inventor: **Kai Xu, Yong Kang (CN)**

(73) Assignee: **Apollo Motor Corporation, Los Angeles, CA (US)**

(\*\*) Term: **14 Years**

(21) Appl. No.: **29/261,461**

(22) Filed: **Jun. 13, 2006**

(51) **LOC (8) Cl.** ..... **12-11**

(52) **U.S. Cl.** ..... **D12/186**

(58) **Field of Classification Search** ..... D12/110,  
D12/126, 181, 186; 180/219, 225; 293/105;  
296/78.1, 192, 193.08; 280/304.3, 304.4,  
280/152.1, 152.2, 152.3, 160.1, 852  
See application file for complete search history.

(56) **References Cited**

**U.S. PATENT DOCUMENTS**

6,695,330 B2 *	2/2004	Hata	.....	280/152.3
D501,431 S *	2/2005	Hirano	.....	D12/110
D513,723 S *	1/2006	Sawabe et al.	.....	D12/186

\* cited by examiner

*Primary Examiner*—Cathron C. Brooks  
*Assistant Examiner*—Linda Brooks

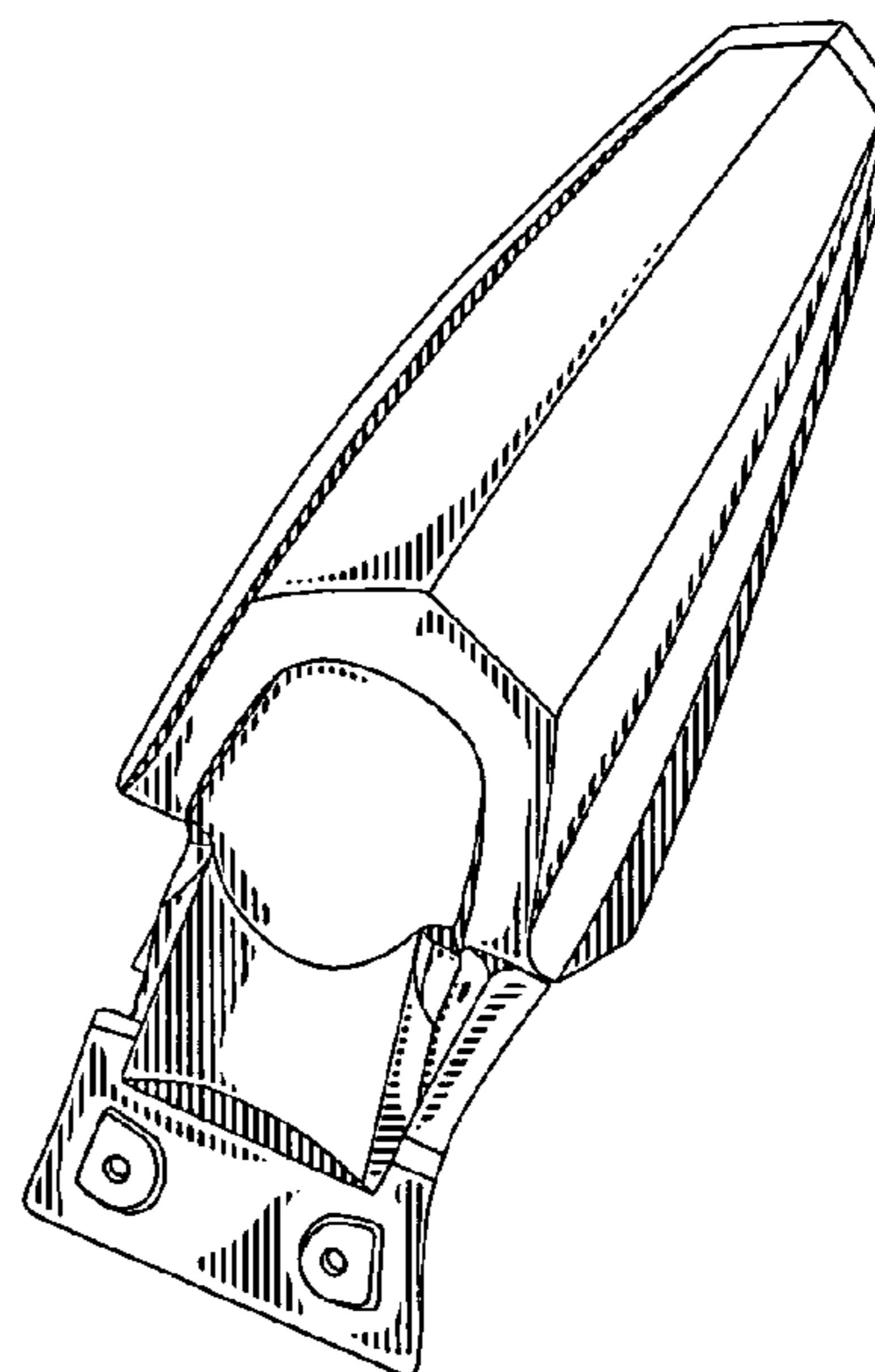
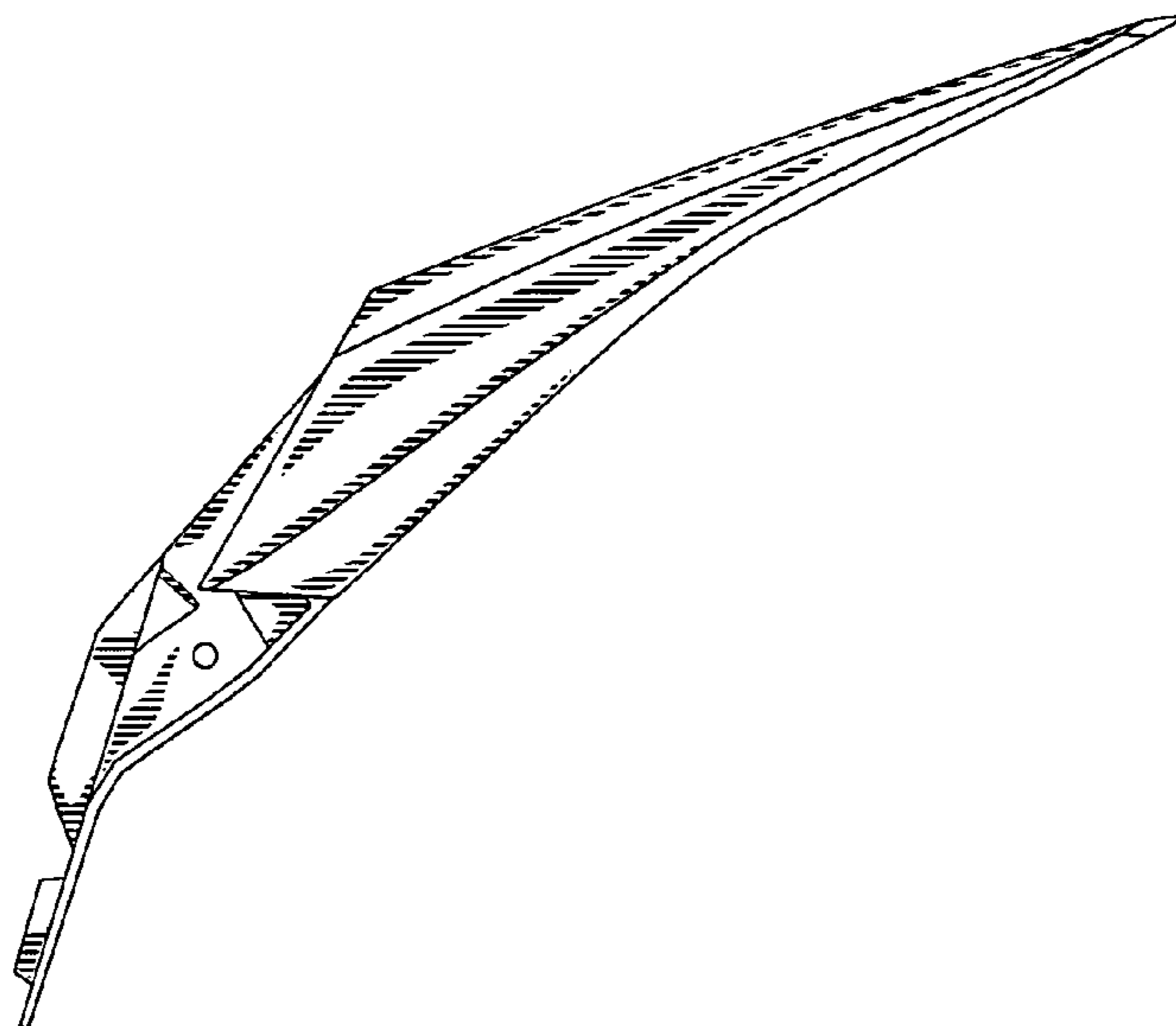
(57) **CLAIM**

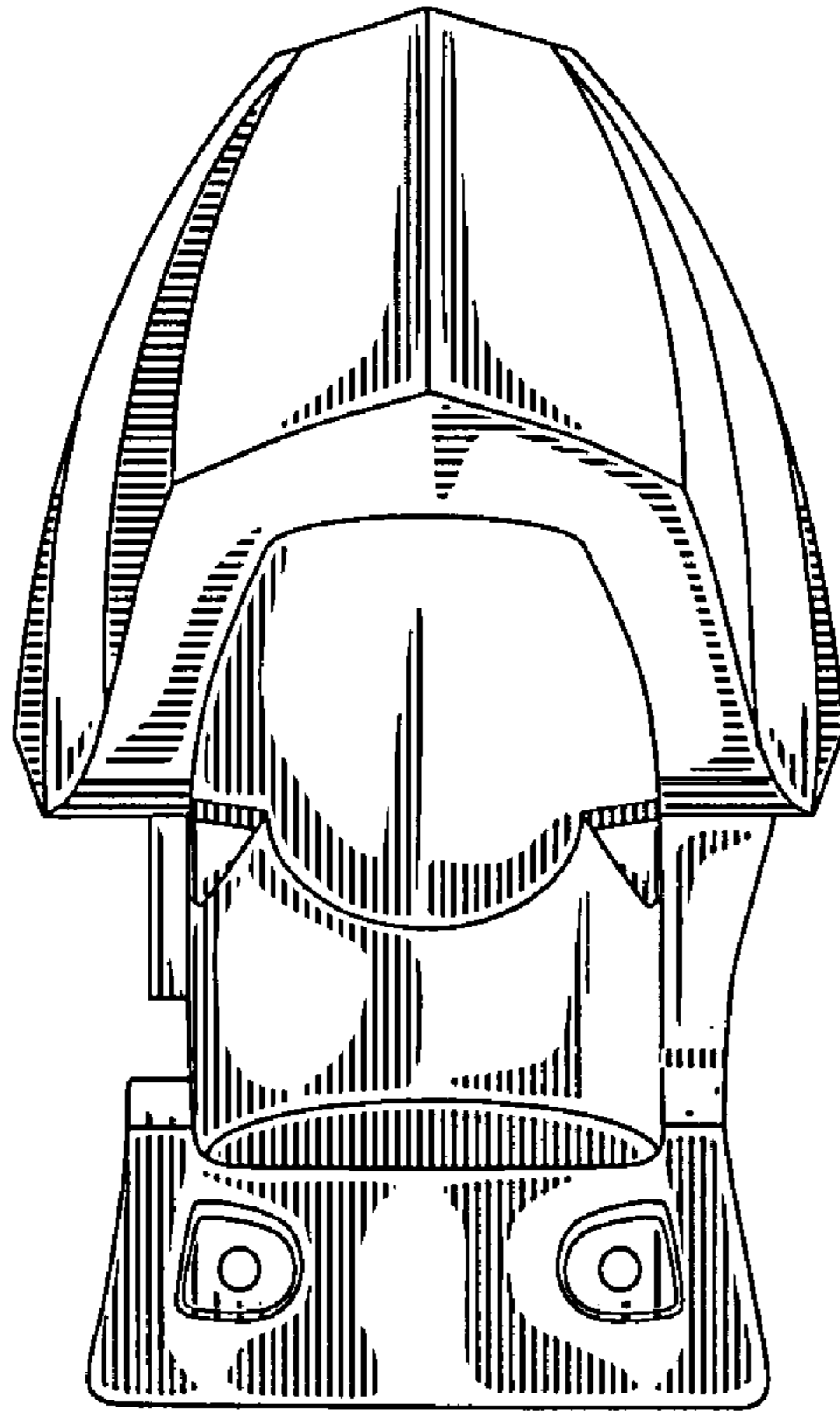
The ornamental design for a motorcycle rear cover, as shown and described.

**DESCRIPTION**

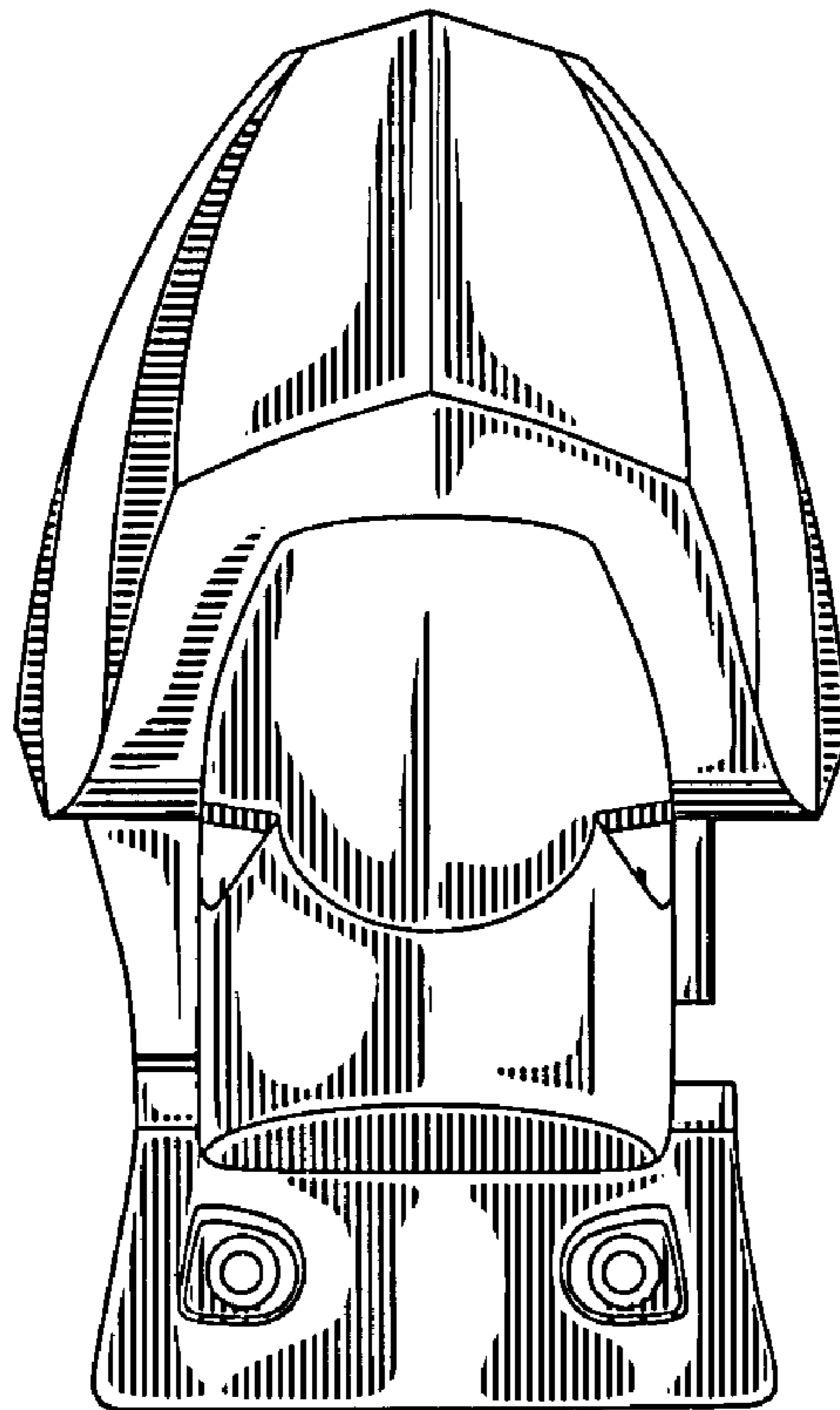
FIG. 1 is a front view of a motorcycle rear cover of this invention;  
FIG. 2 is a rear view thereof;  
FIG. 3 is a left-side view thereof;  
FIG. 4 is a right-side view thereof;  
FIG. 5 is a bottom view thereof;  
FIG. 6 is a top view thereof;  
FIG. 7 is a perspective bottom right view thereof;  
FIG. 8 is a perspective bottom left view thereof;  
FIG. 9 is a perspective top right view thereof; and,  
FIG. 10 is a perspective top left view thereof.

**1 Claim, 5 Drawing Sheets**

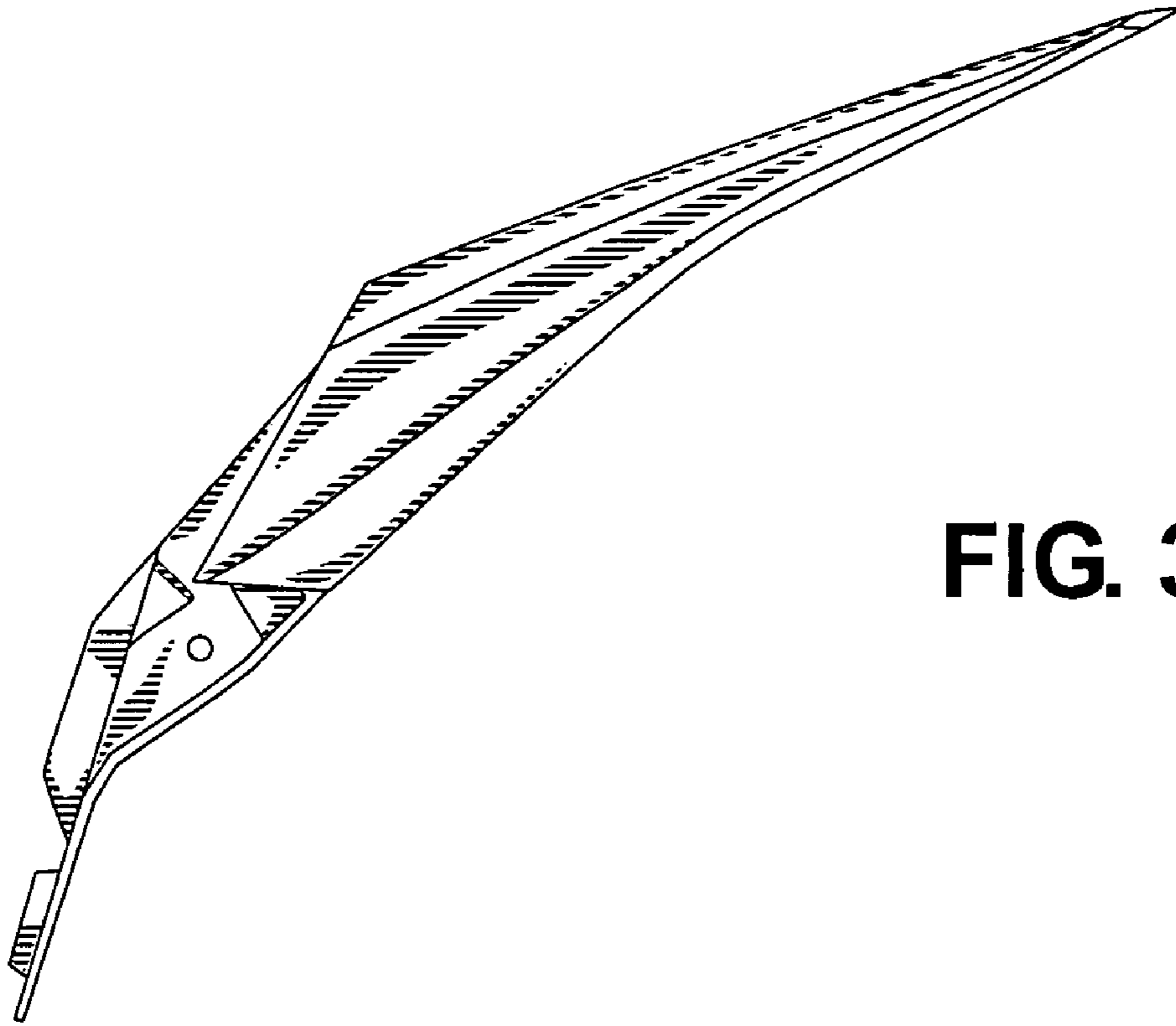




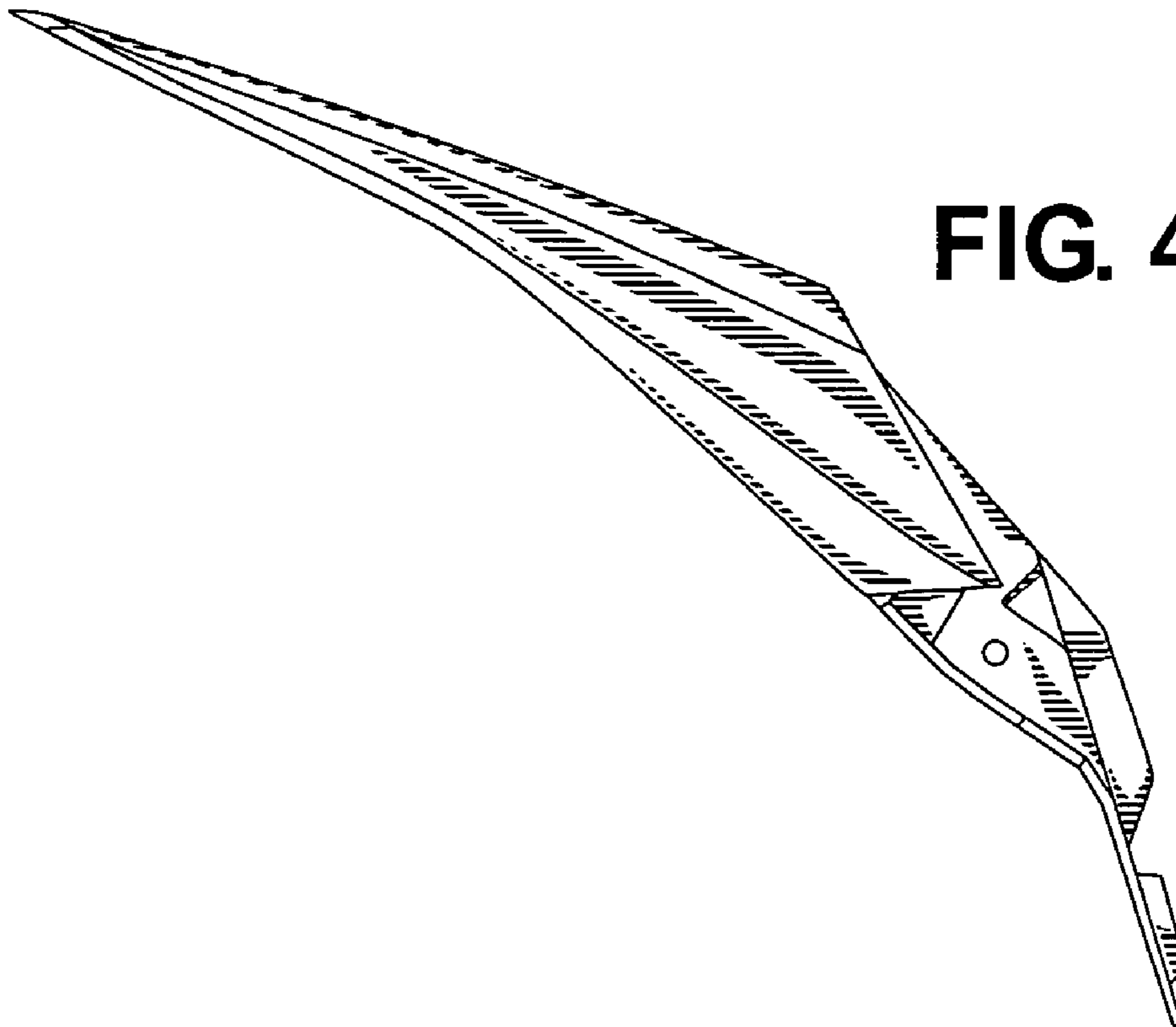
**FIG. 1**



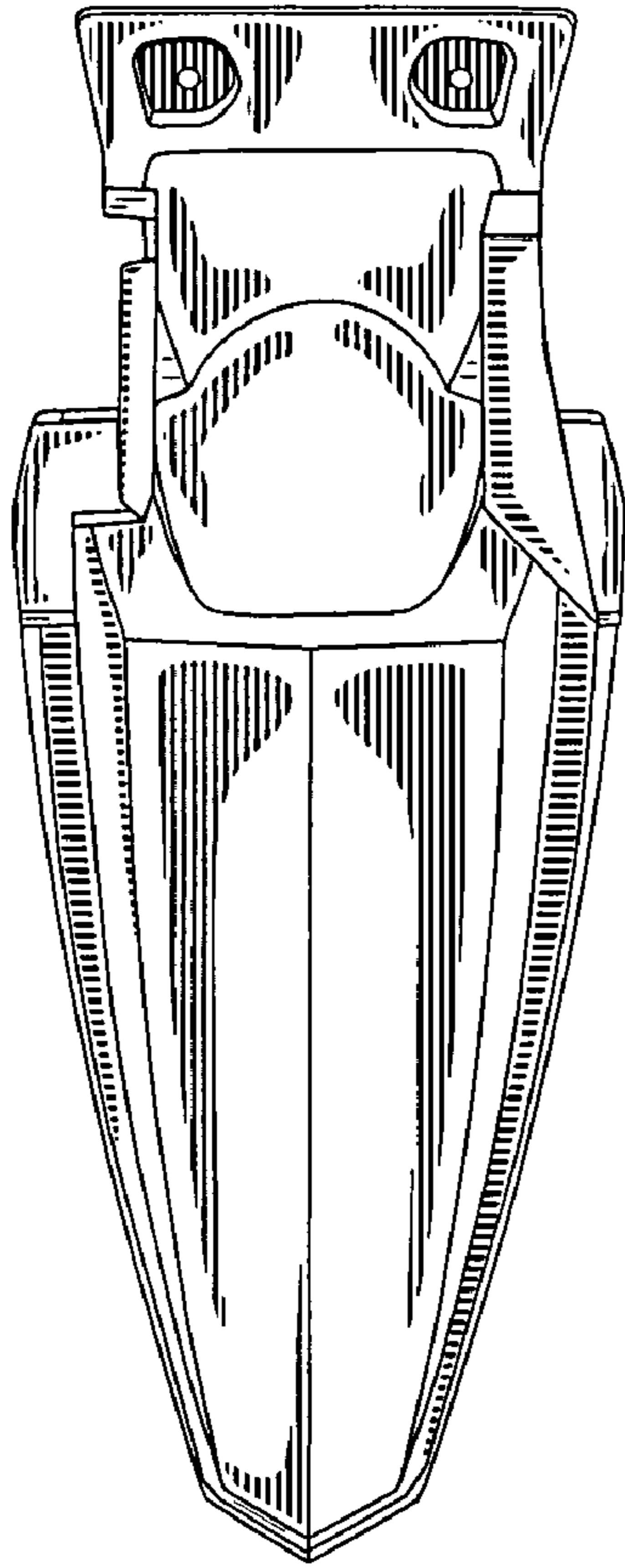
**FIG. 2**



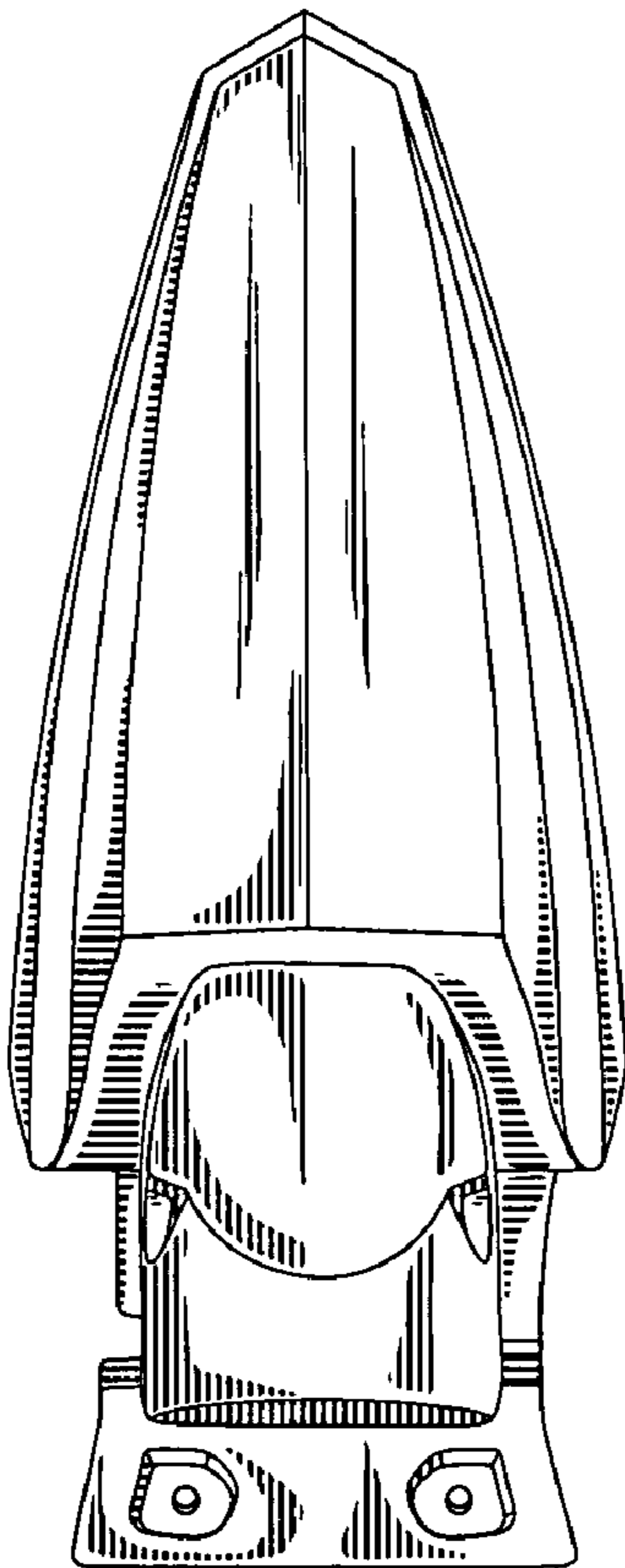
**FIG. 3**



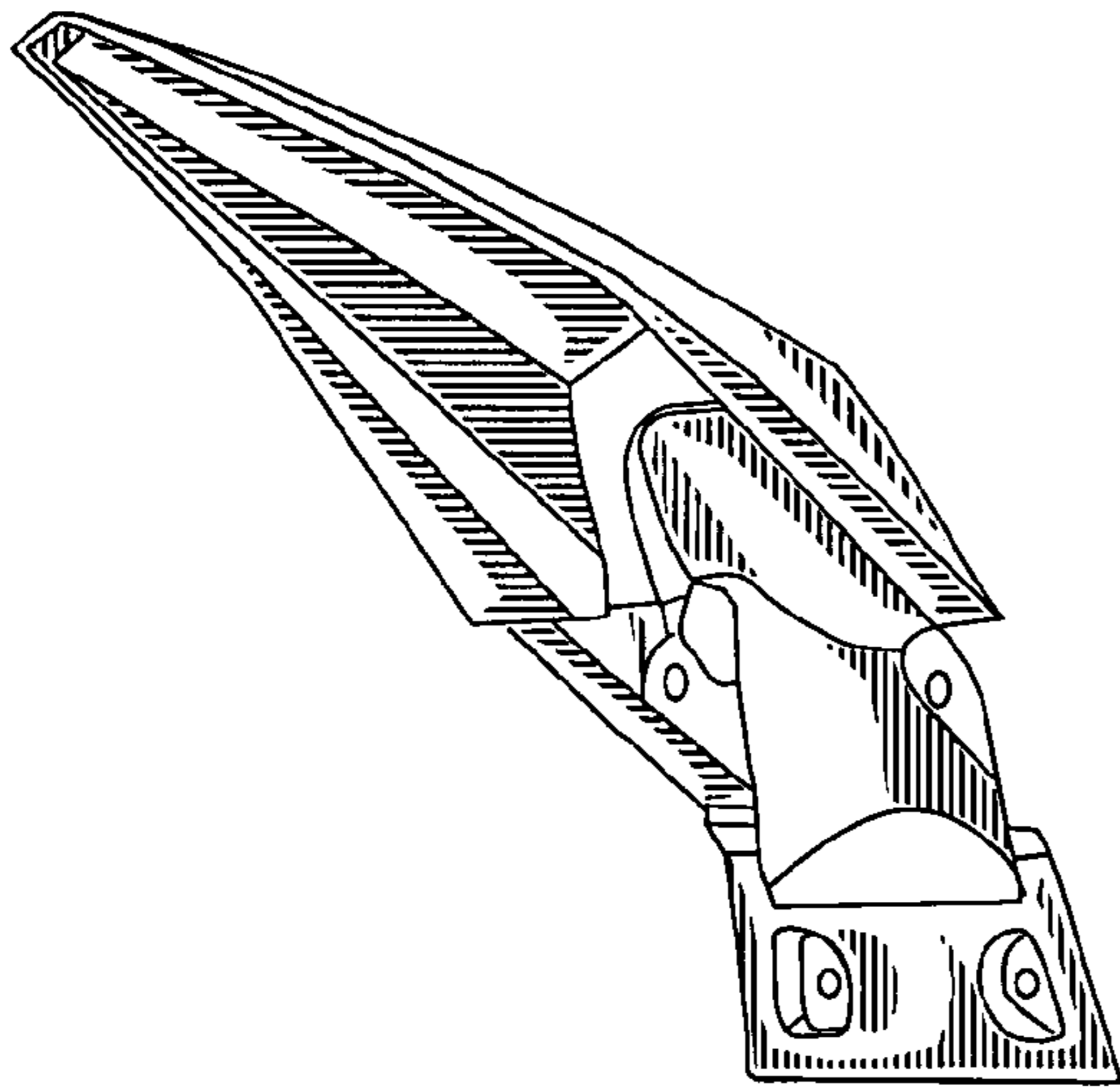
**FIG. 4**



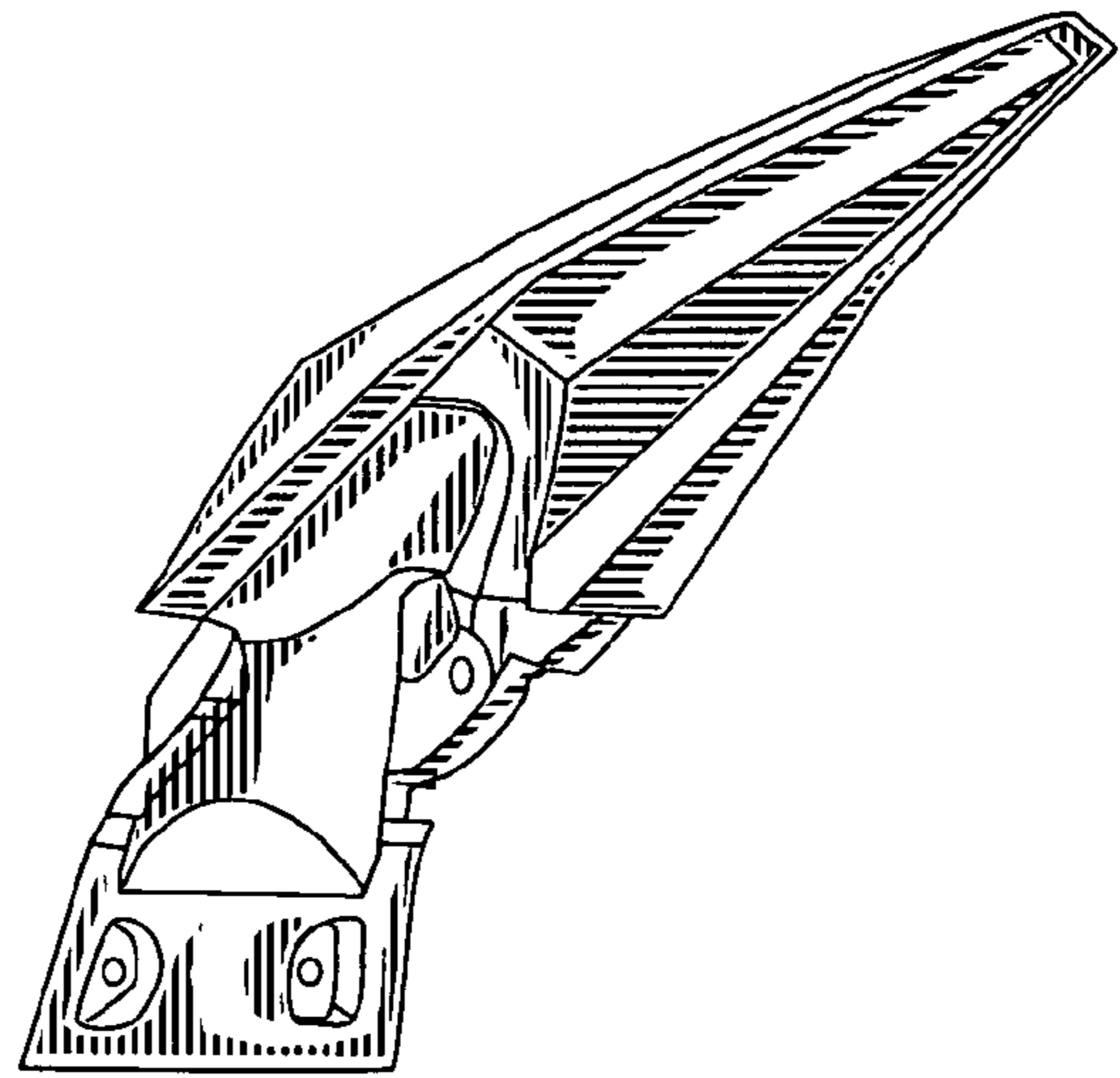
**FIG. 5**



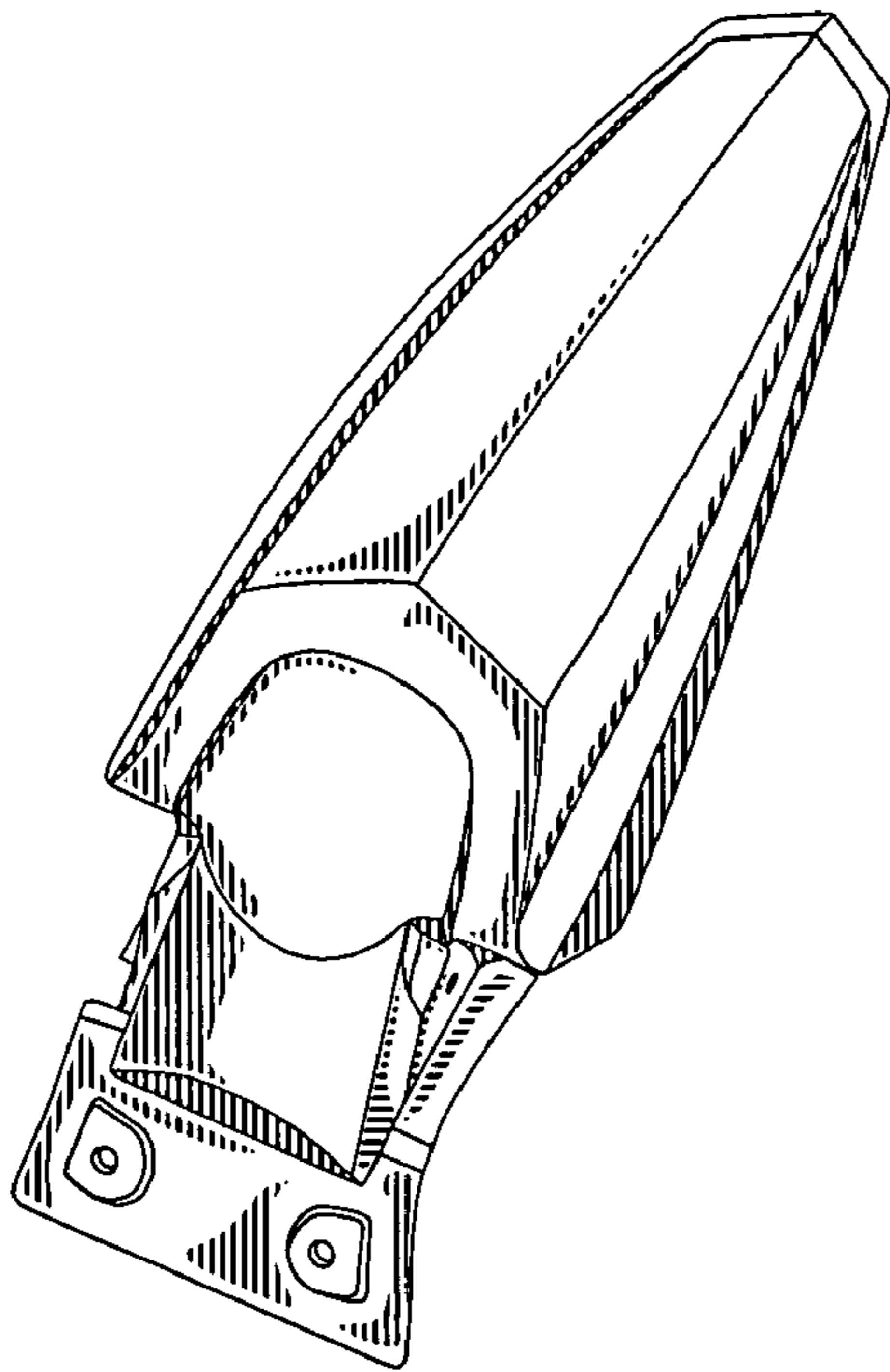
**FIG. 6**



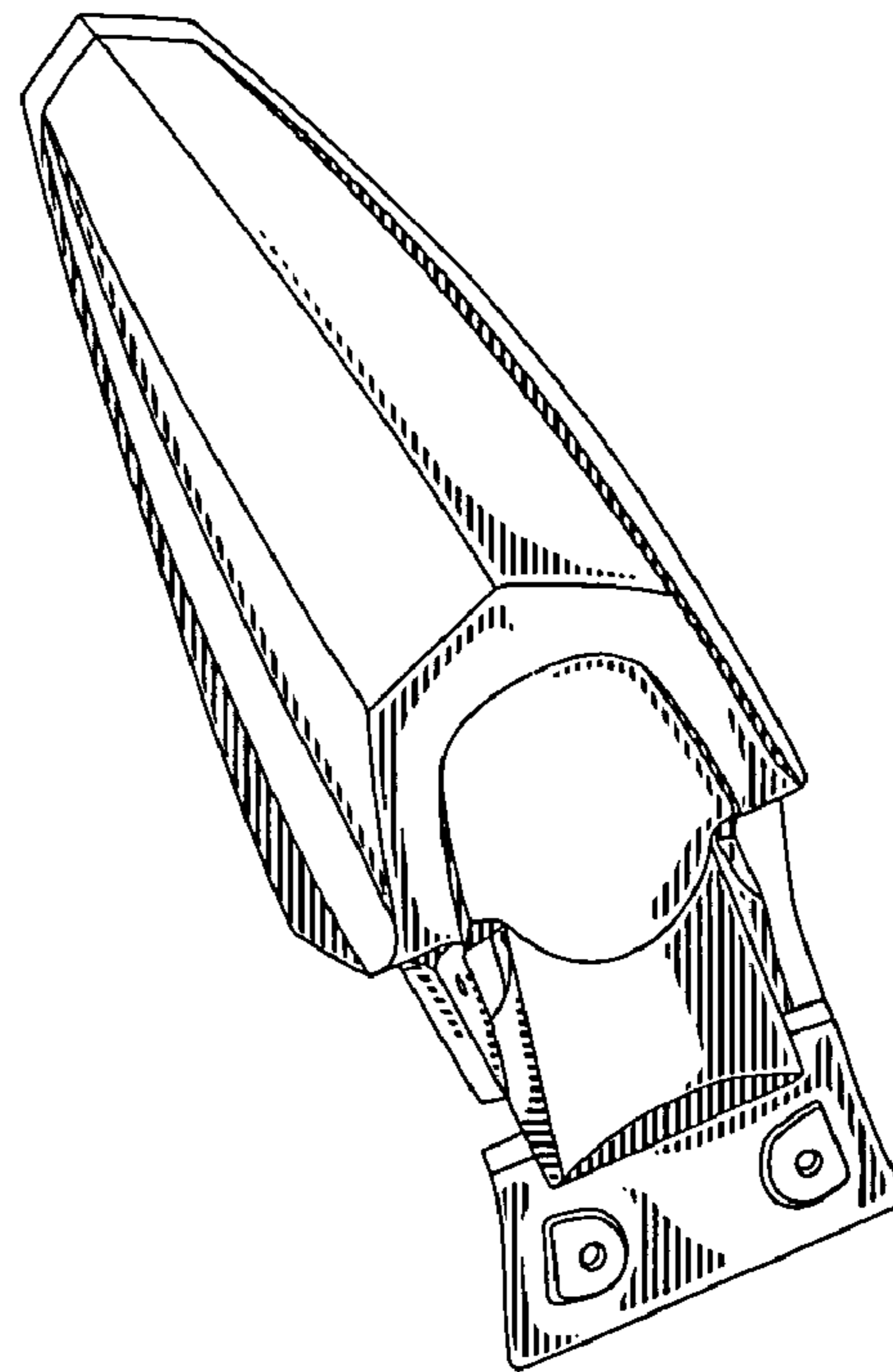
**FIG. 7**



**FIG. 8**



**FIG. 9**



**FIG. 10**