



US00D557184S

(12) **United States Design Patent**
Janik

(10) **Patent No.:** **US D557,184 S**

(45) **Date of Patent:** **** Dec. 11, 2007**

(54) **RADIATOR GRILLE FOR VEHICLE**

(75) Inventor: **Brian Janik**, South Lyon, MI (US)

(73) Assignee: **Nissan Motor Co., Ltd.**, Yokohama-shi (JP)

(**) Term: **14 Years**

(21) Appl. No.: **29/270,064**

(22) Filed: **Dec. 14, 2006**

(30) **Foreign Application Priority Data**

Jul. 26, 2006 (JP) D2006-019734

(51) **LOC (8) Cl.** **12-16**

(52) **U.S. Cl.** **D12/163; D12/216**

(58) **Field of Classification Search** D12/163,
D12/171, 90-92, 216; 180/68.1, 68.6; 296/193.1
See application file for complete search history.

(56) **References Cited**

U.S. PATENT DOCUMENTS

- D533,119 S * 6/2005 Otsubo D12/163
- D535,224 S * 1/2007 Kubota et al. D12/163
- D536,284 S * 2/2007 Nakamura et al. D12/163
- D538,716 S * 3/2007 Hogios D12/163
- D541,707 S * 5/2007 Komuro D12/163

OTHER PUBLICATIONS

U.S. Appl. No. 29/274,736, filed May 18, 2007, Iida et al.

* cited by examiner

Primary Examiner—Melody N. Brown

(74) *Attorney, Agent, or Firm*—Foley & Lardner LLP

(57) **CLAIM**

The ornamental design for a radiator grille for vehicle, as shown and described.

DESCRIPTION

FIG. 1 is a perspective view of a radiator grille for vehicle;

FIG. 2 is a front view thereof;

FIG. 3 is a rear view thereof;

FIG. 4 is a top plan view thereof;

FIG. 5 is a bottom plan view thereof;

FIG. 6 is a left side view thereof;

FIG. 7 is a right side view thereof;

FIG. 8 is an enlarged sectional view thereof taken along line 8—8;

FIG. 9 is an enlarged sectional view thereof taken along line 9—9; and,

FIG. 10 is an enlarged sectional view thereof taken along line 10—10.

1 Claim, 3 Drawing Sheets

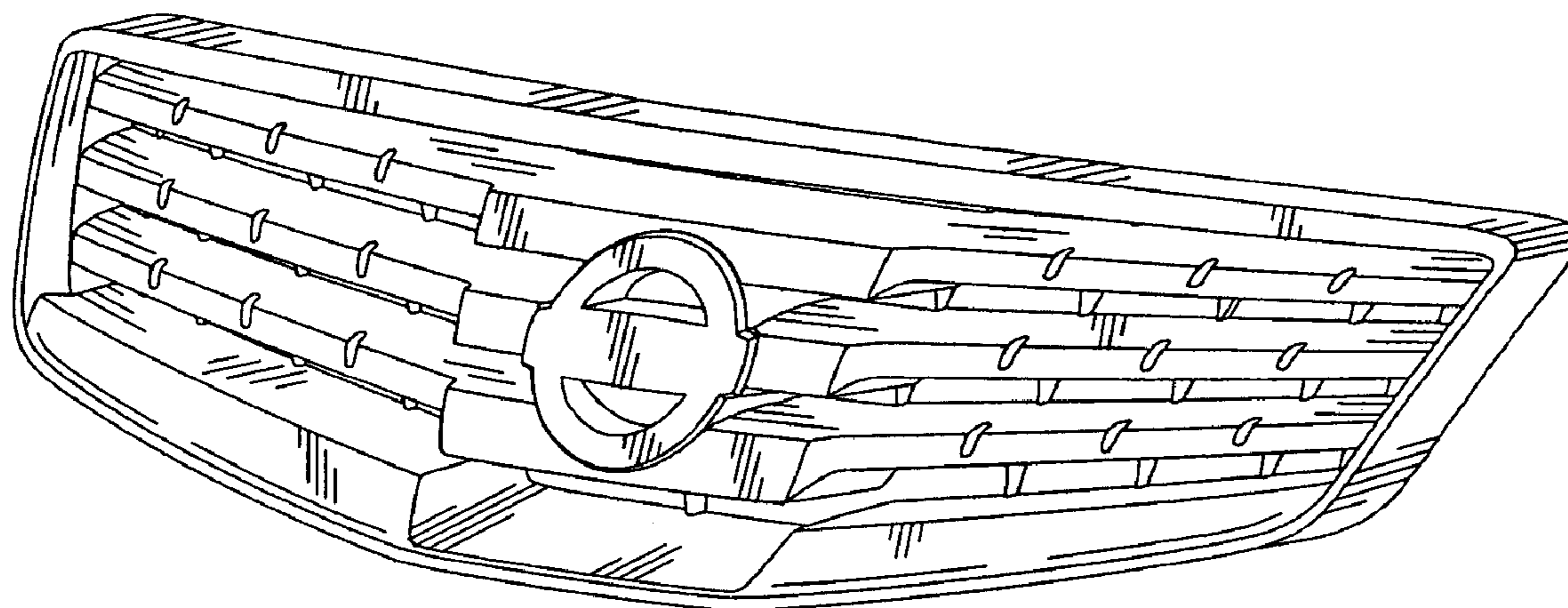


Fig.1

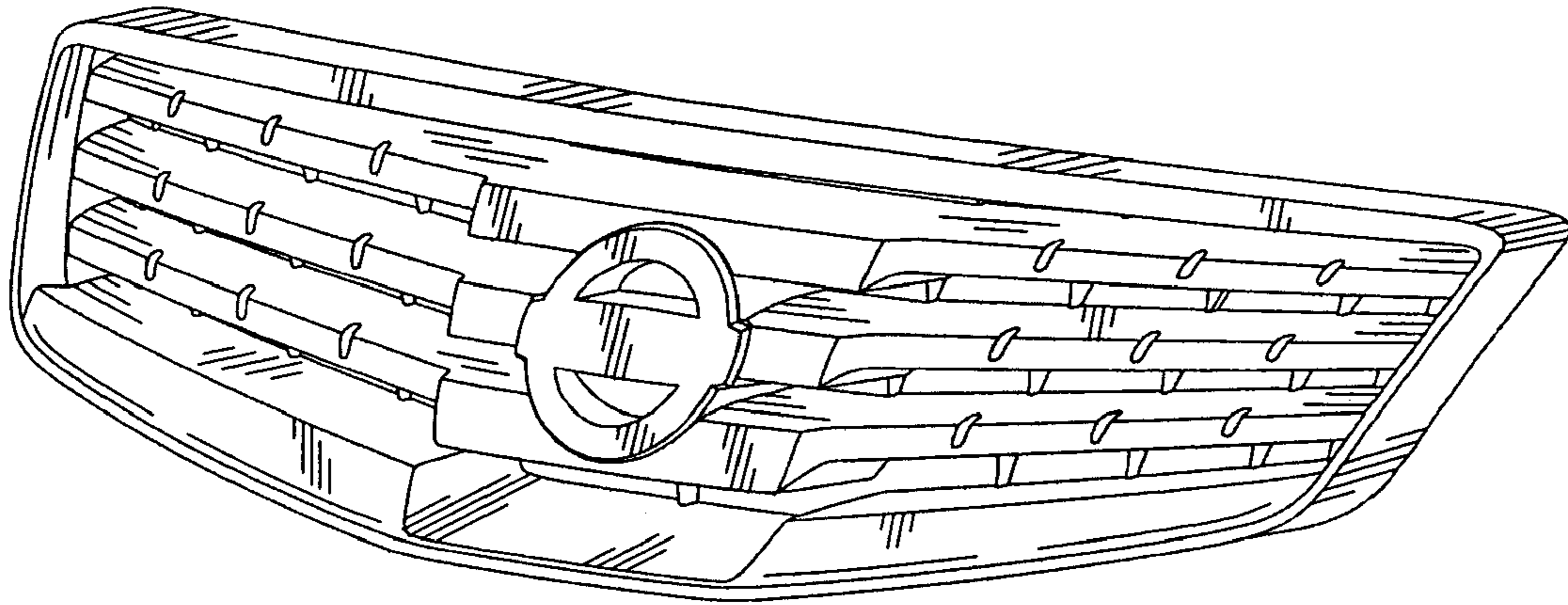


Fig.2

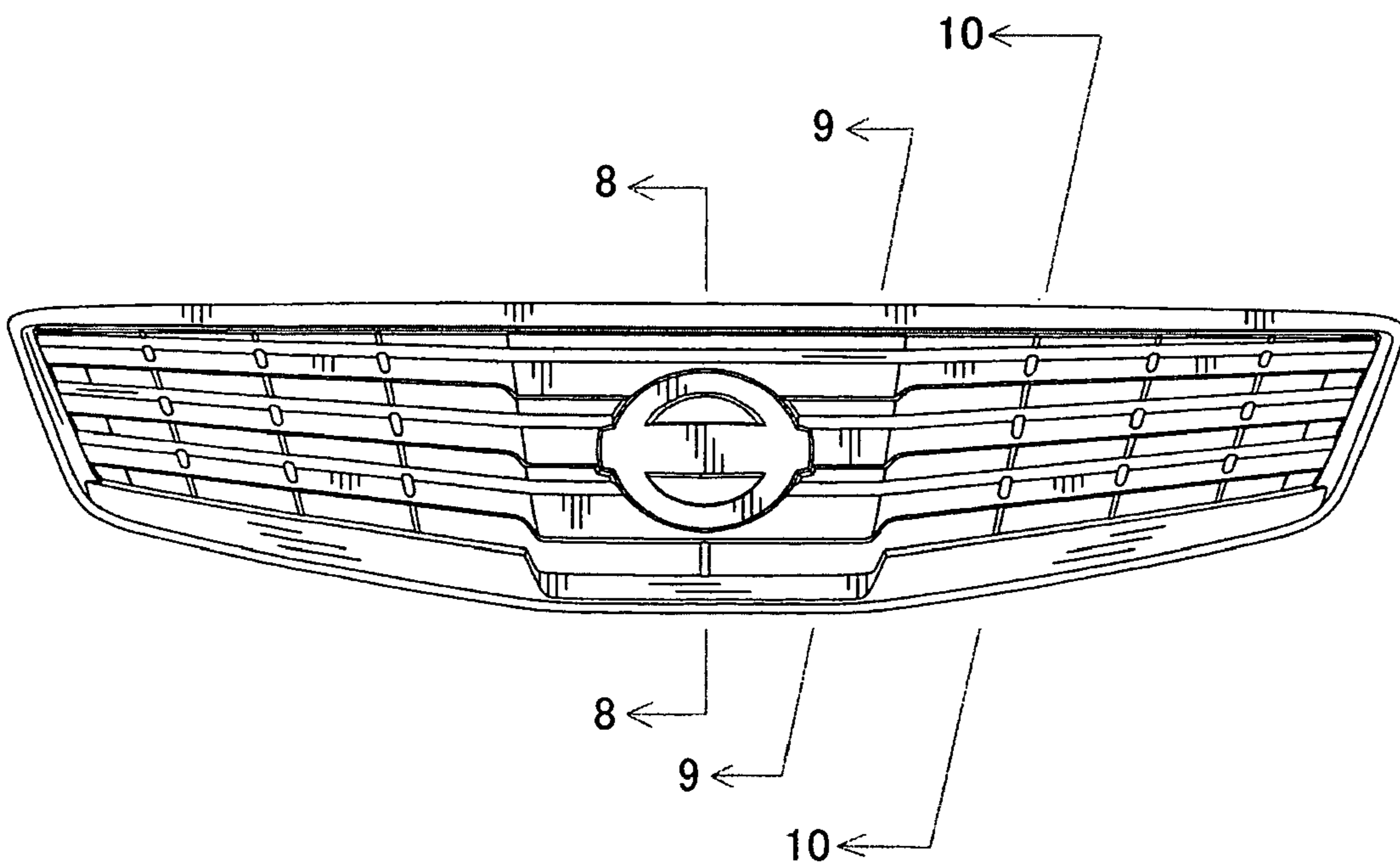


Fig.3

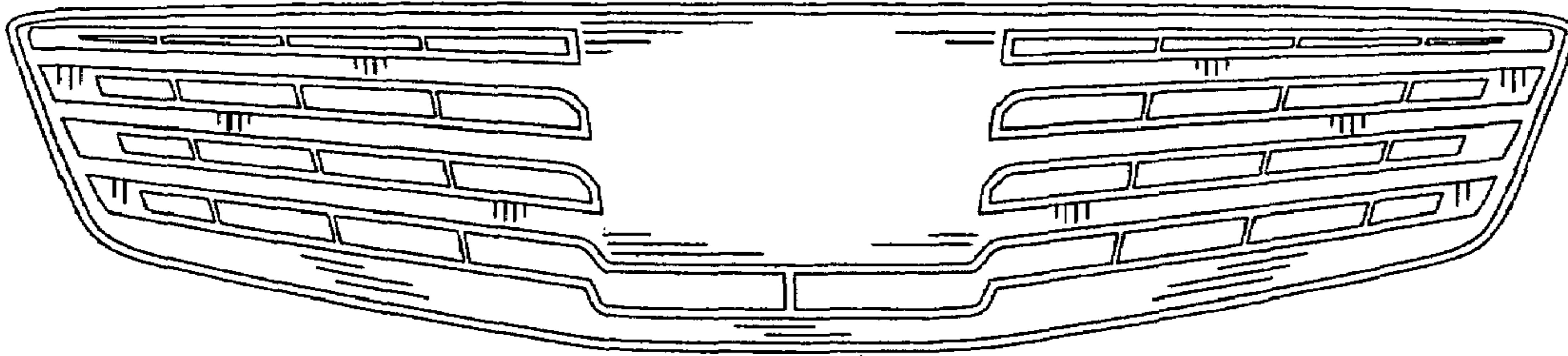


Fig.4

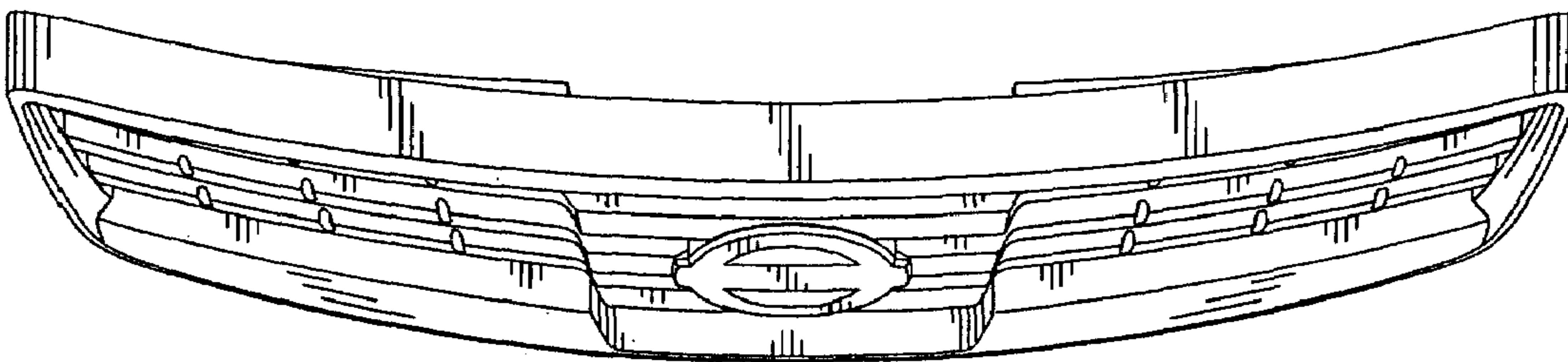


Fig.5

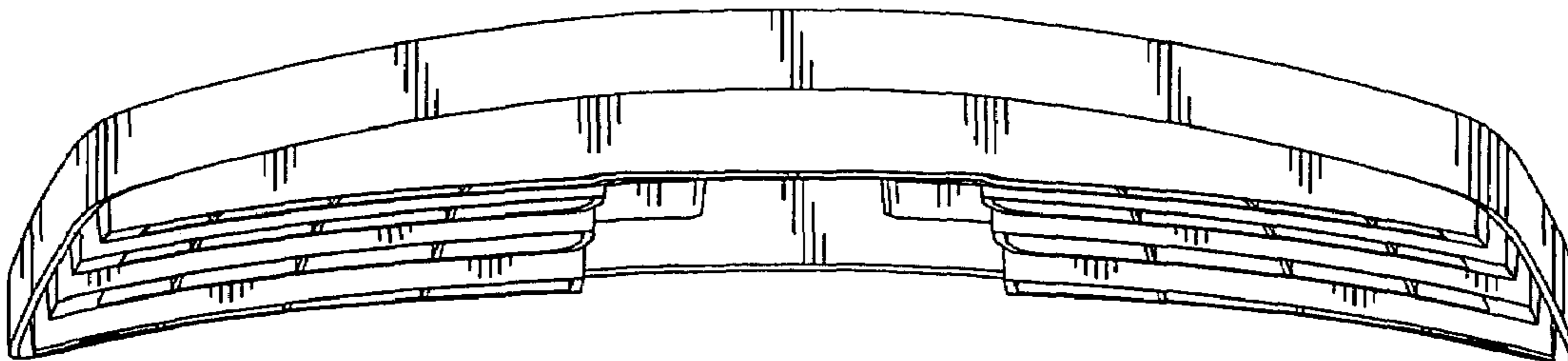


Fig.6

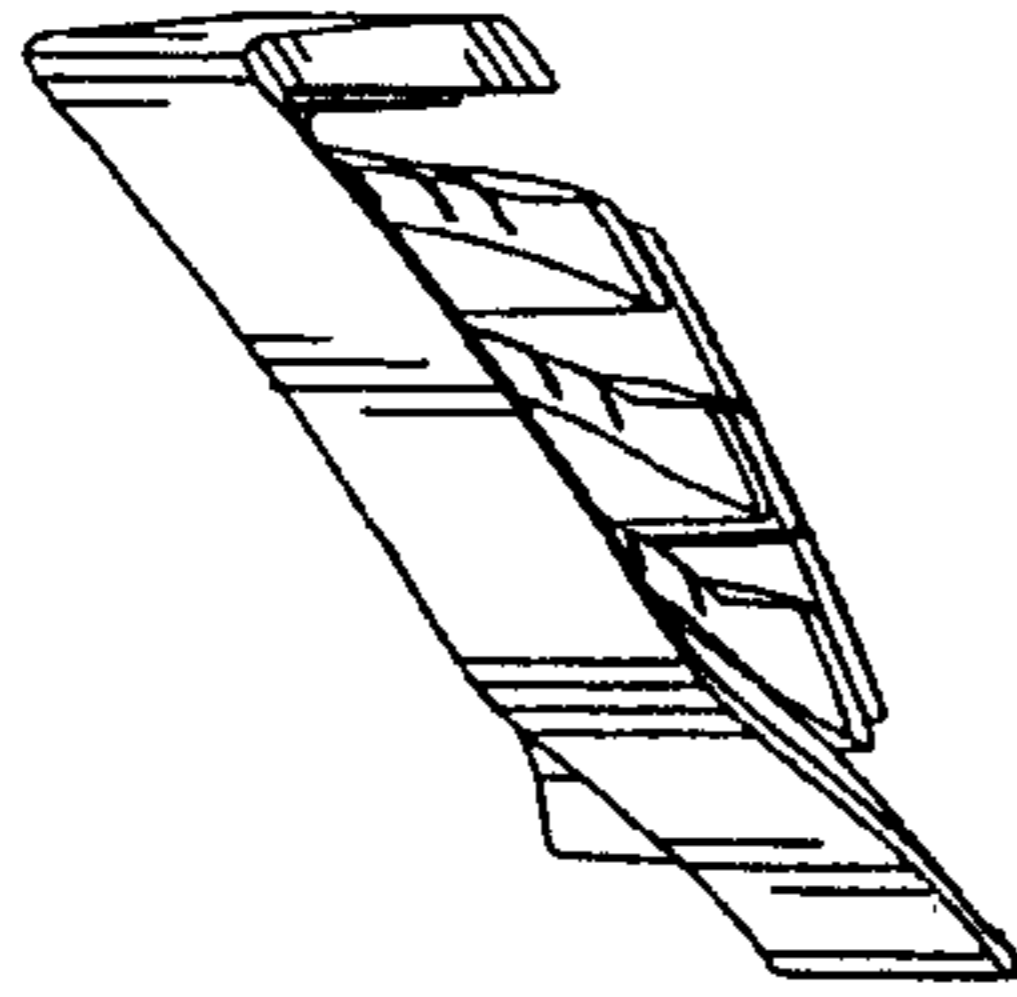


Fig.7

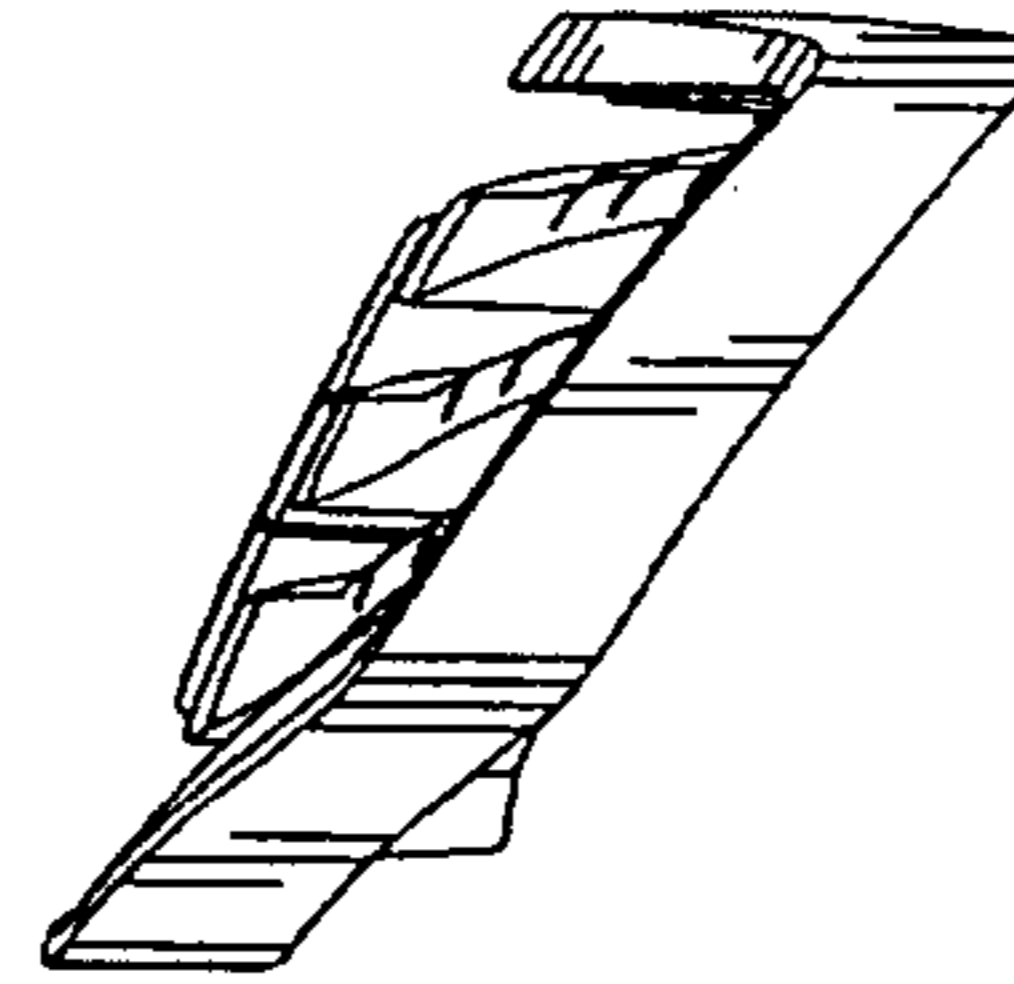


Fig.8

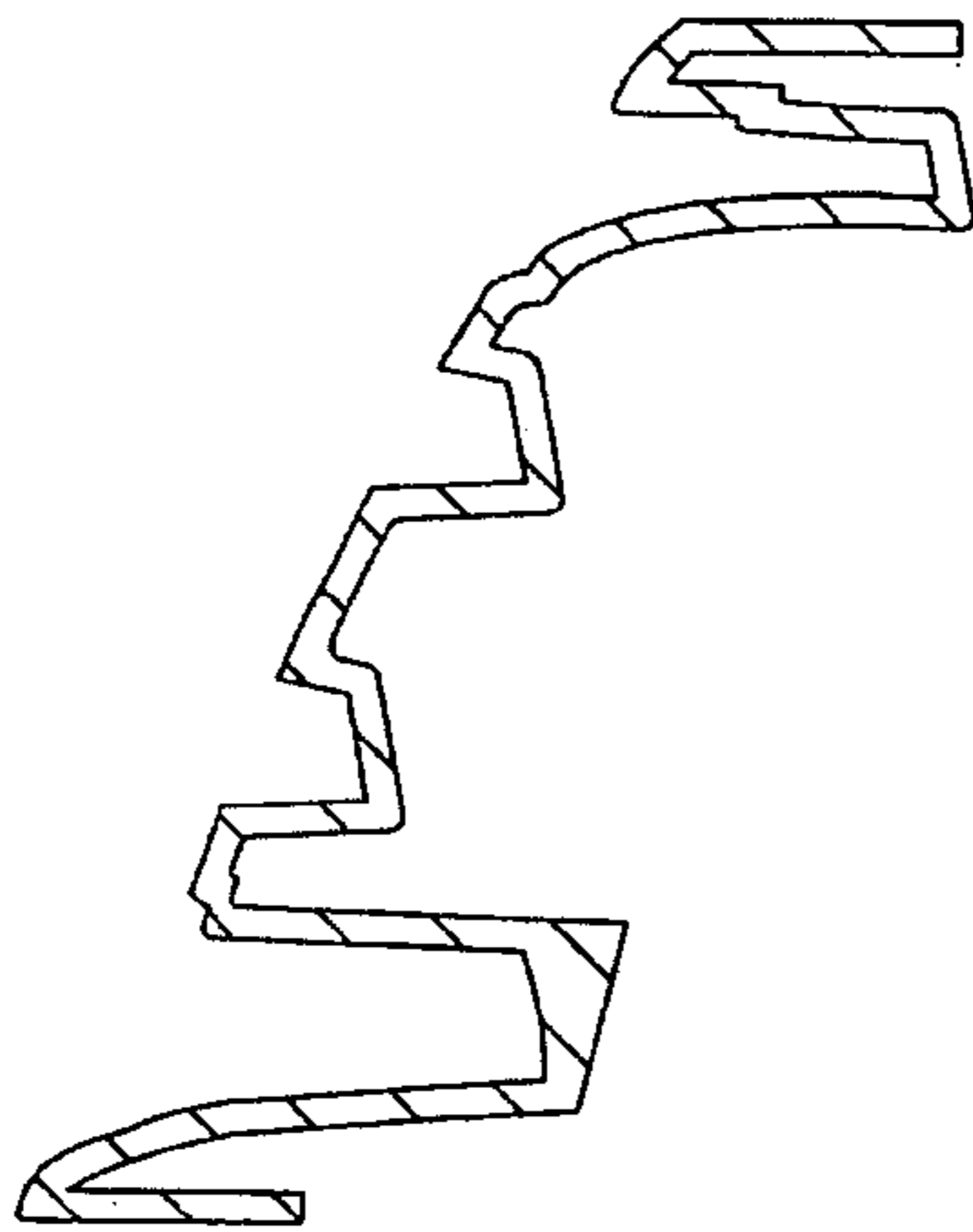


Fig.9

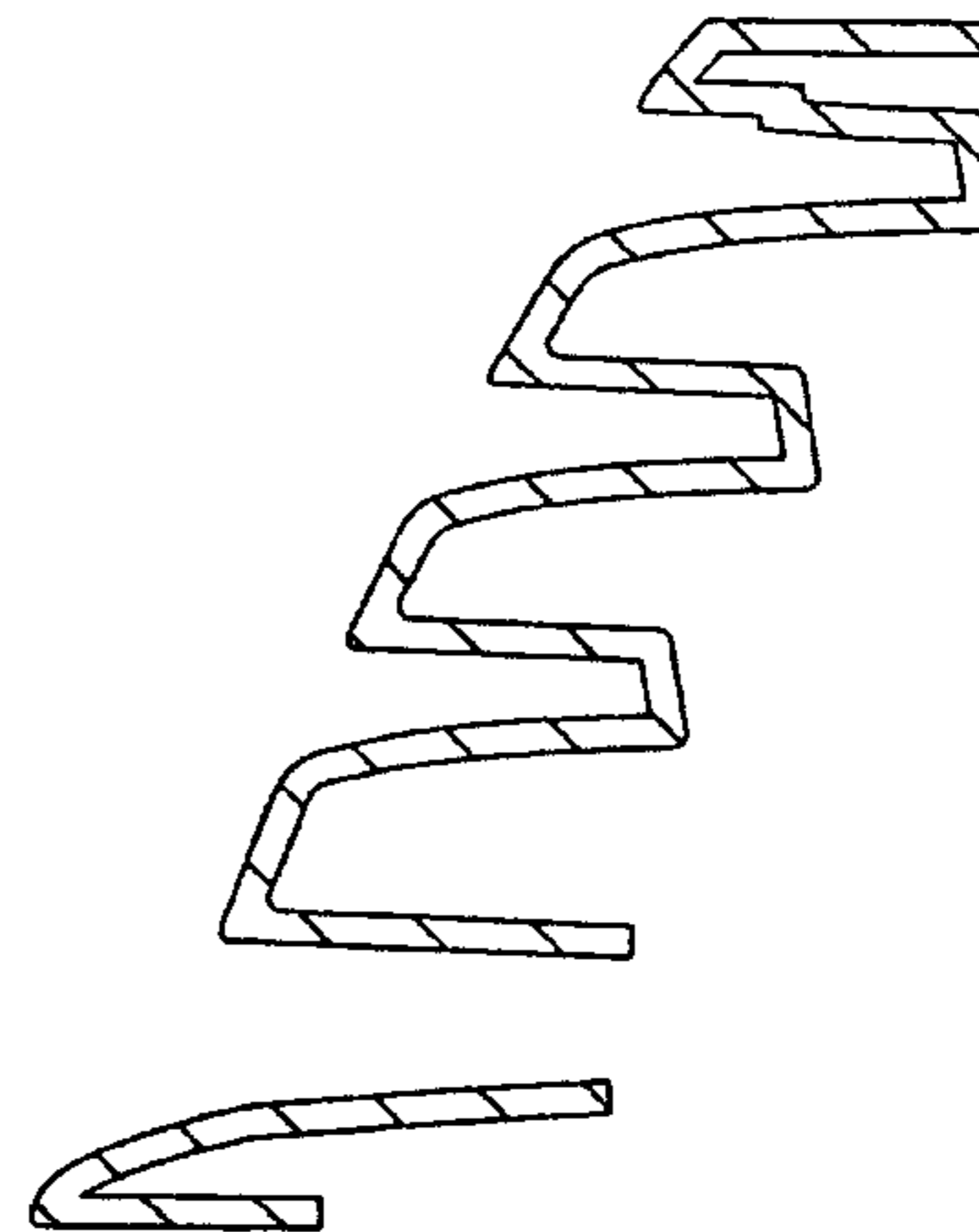


Fig.10

