



US00D557181S

(12) **United States Design Patent** (10) **Patent No.:** **US D557,181 S**  
**Xu** (45) **Date of Patent:** **\*\* Dec. 11, 2007**

(54) **PAIR OF MOTORCYCLE SIDE COVERS**

(57) **CLAIM**

(75) Inventor: **Kai Xu, Yong Kang (CN)**

The ornamental design for a pair of motorcycle side cover, as shown and described.

(73) Assignee: **Apollo Motor Corporation, Los Angeles, CA (US)**

**DESCRIPTION**

(\*\*) Term: **14 Years**

FIG. 1 is a front view of a left side cover of a pair of motorcycle side covers of this invention, a right side cover of a pair of motorcycle side covers of this invention being a mirror image;

(21) Appl. No.: **29/261,462**

FIG. 2 is a rear view of the left side cover, the right side cover being a mirror image;

(22) Filed: **Jun. 13, 2006**

FIG. 3 is a bottom view of the left side cover, the right side cover being a mirror image;

(51) **LOC (8) Cl.** ..... **12-11**

(52) **U.S. Cl.** ..... **D12/126**

(58) **Field of Classification Search** ..... D12/110,  
D12/126, 181, 186; 180/219, 225; 296/193.01,  
296/78.1, 192, 193.05, 193.09; 280/304.3,  
280/304.4, 152.1, 152.2, 152.3, 160.1, 852  
See application file for complete search history.

FIG. 4 is a top view of the left side cover, the right side cover being a mirror image;

FIG. 5 is a right-side view of the left side cover, the right side cover being a mirror image;

FIG. 6 is a left-side view of the left side cover, the right side cover being a mirror image;

(56) **References Cited**

**U.S. PATENT DOCUMENTS**

D242,340 S \* 11/1976 Vetter ..... D12/182  
D501,431 S \* 2/2005 Hirano ..... D12/110  
D522,415 S \* 6/2006 Tanaka et al. .... D12/126

FIG. 7 is a perspective front right-side view of the left side cover, the right side cover being a mirror image;

FIG. 8 is a perspective front left-side view of the left side cover, the right side cover being a mirror image;

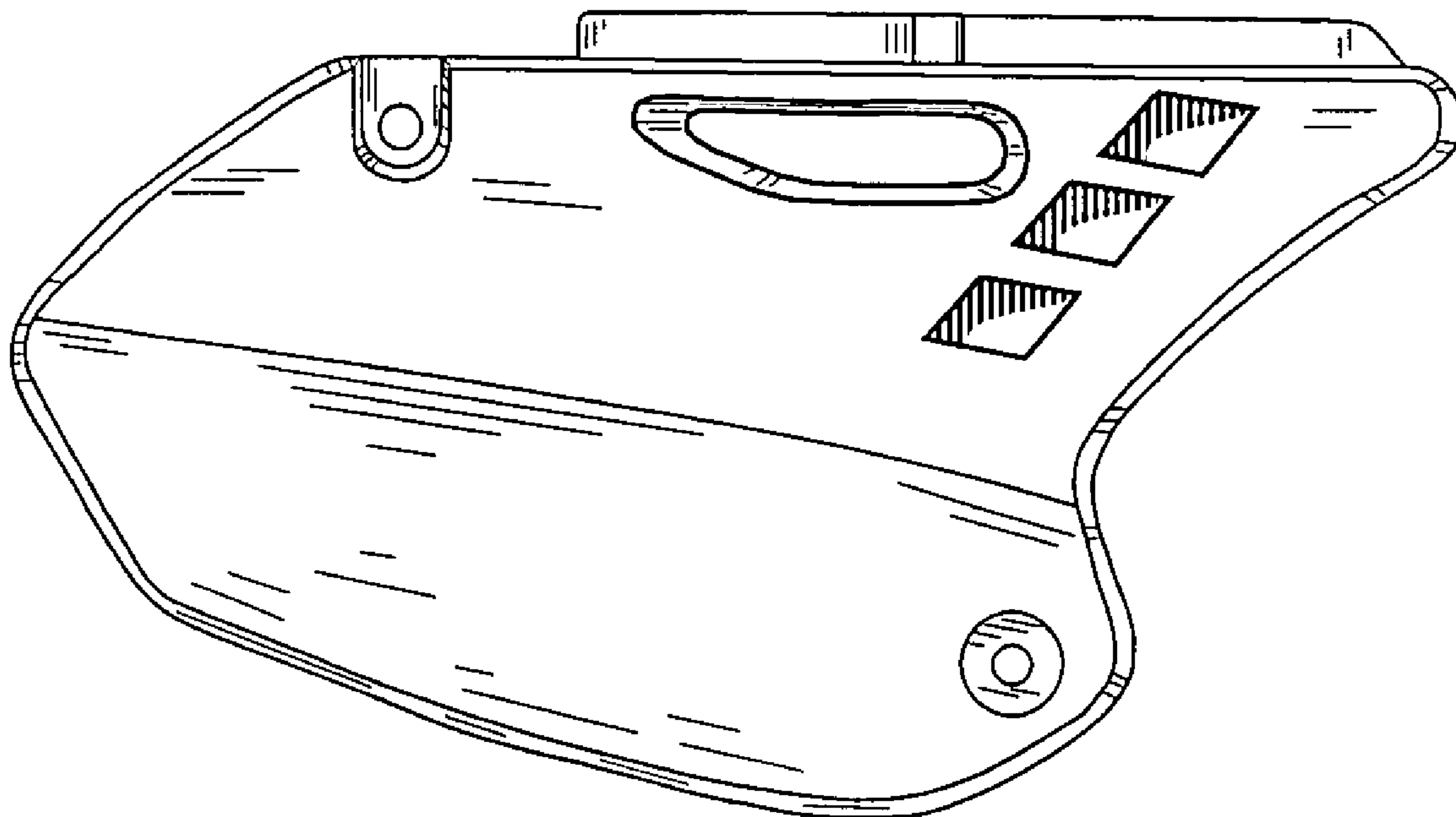
FIG. 9 is a perspective rear right-side view of the left side cover, the right side cover being a mirror image; and,

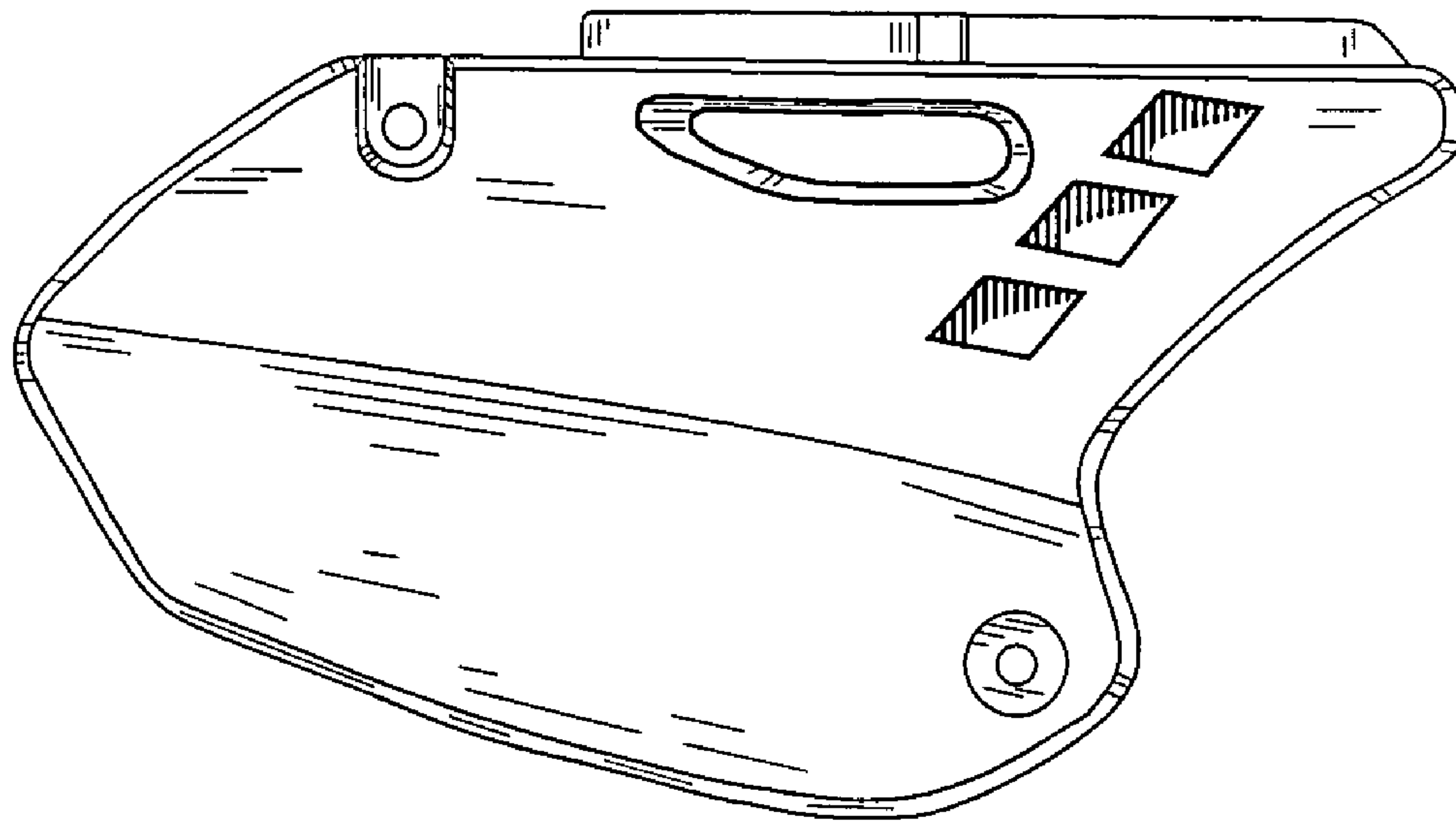
FIG. 10 is a perspective rear left-side view of the left side cover, the right side cover being a mirror image.

\* cited by examiner

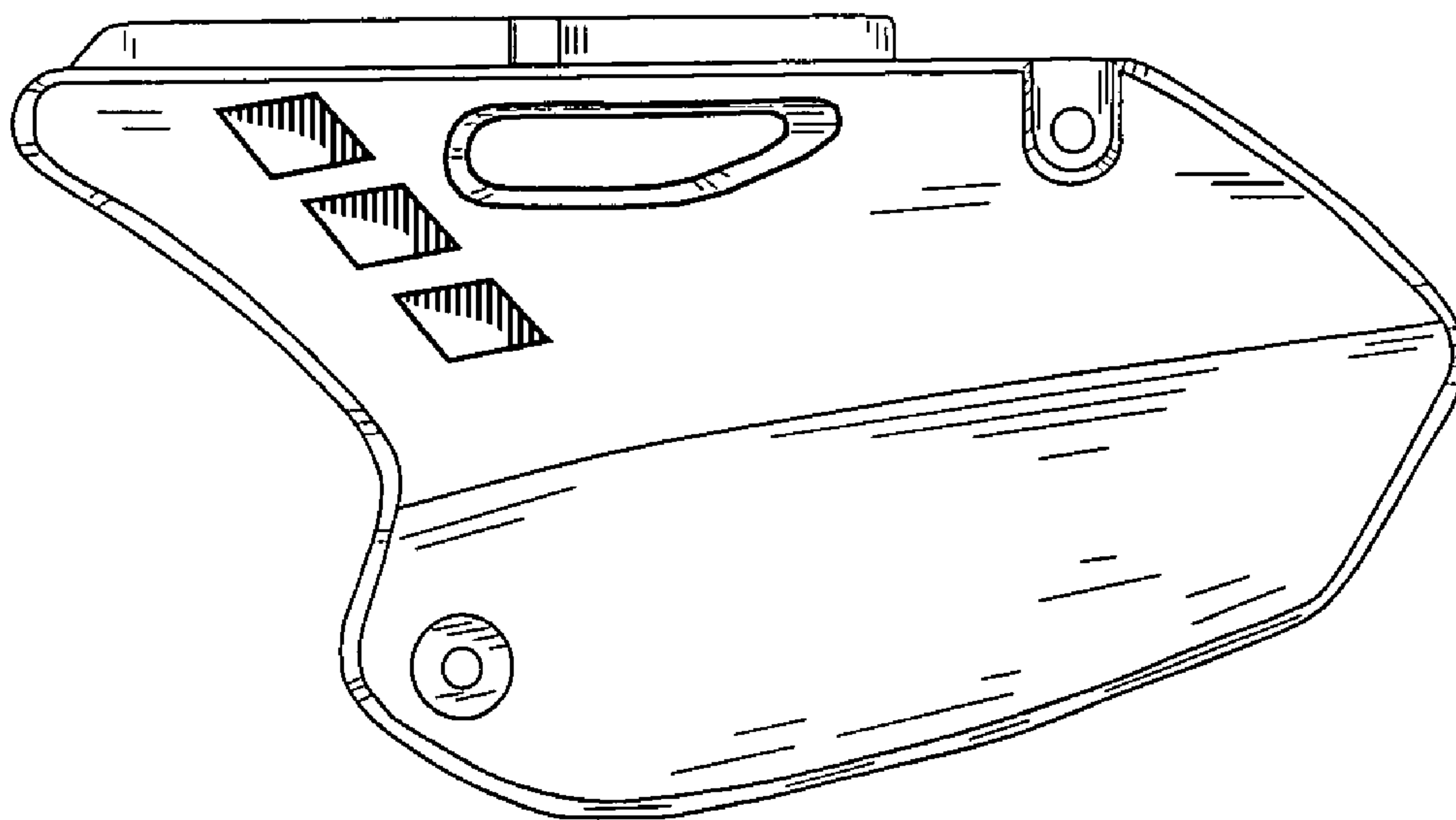
*Primary Examiner*—Cathron C. Brooks  
*Assistant Examiner*—Linda Brooks

**1 Claim, 5 Drawing Sheets**

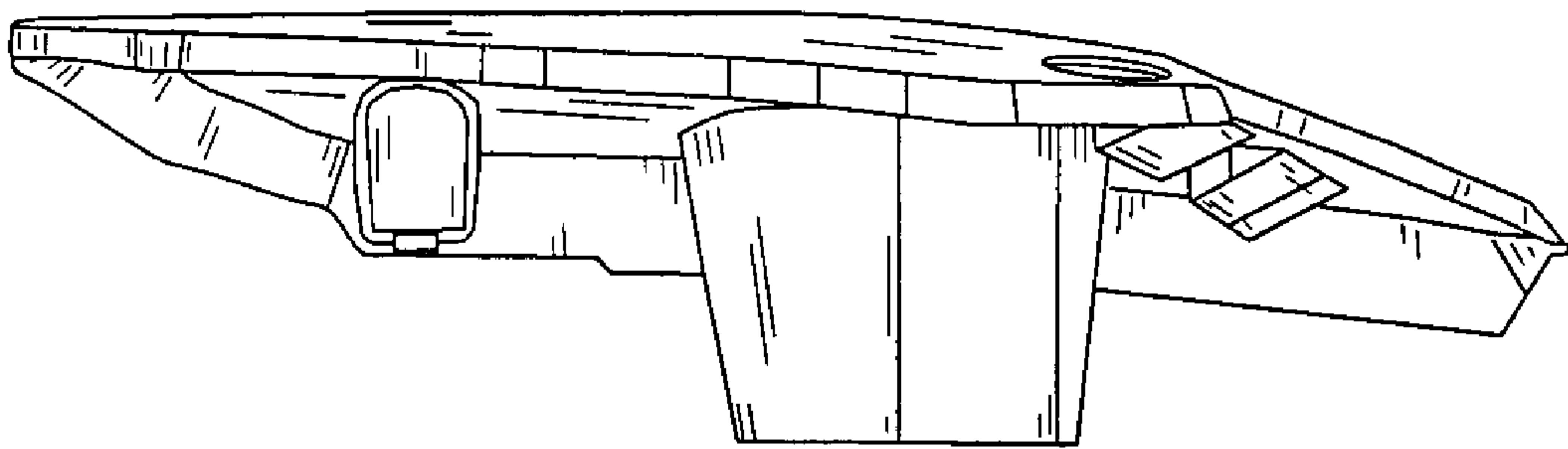




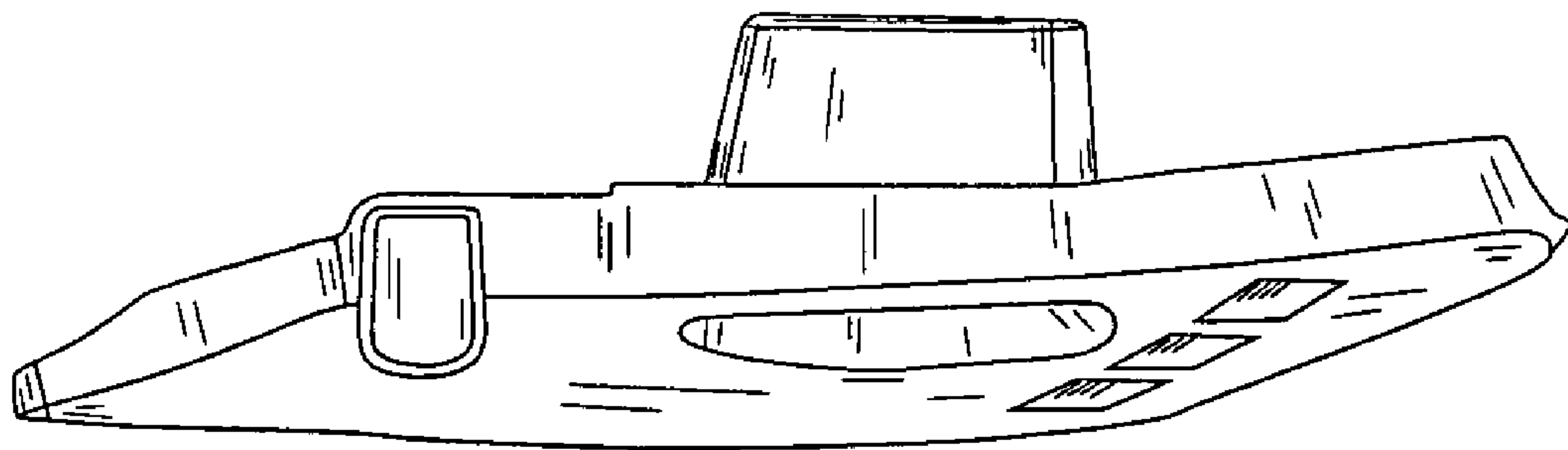
**FIG. 1**



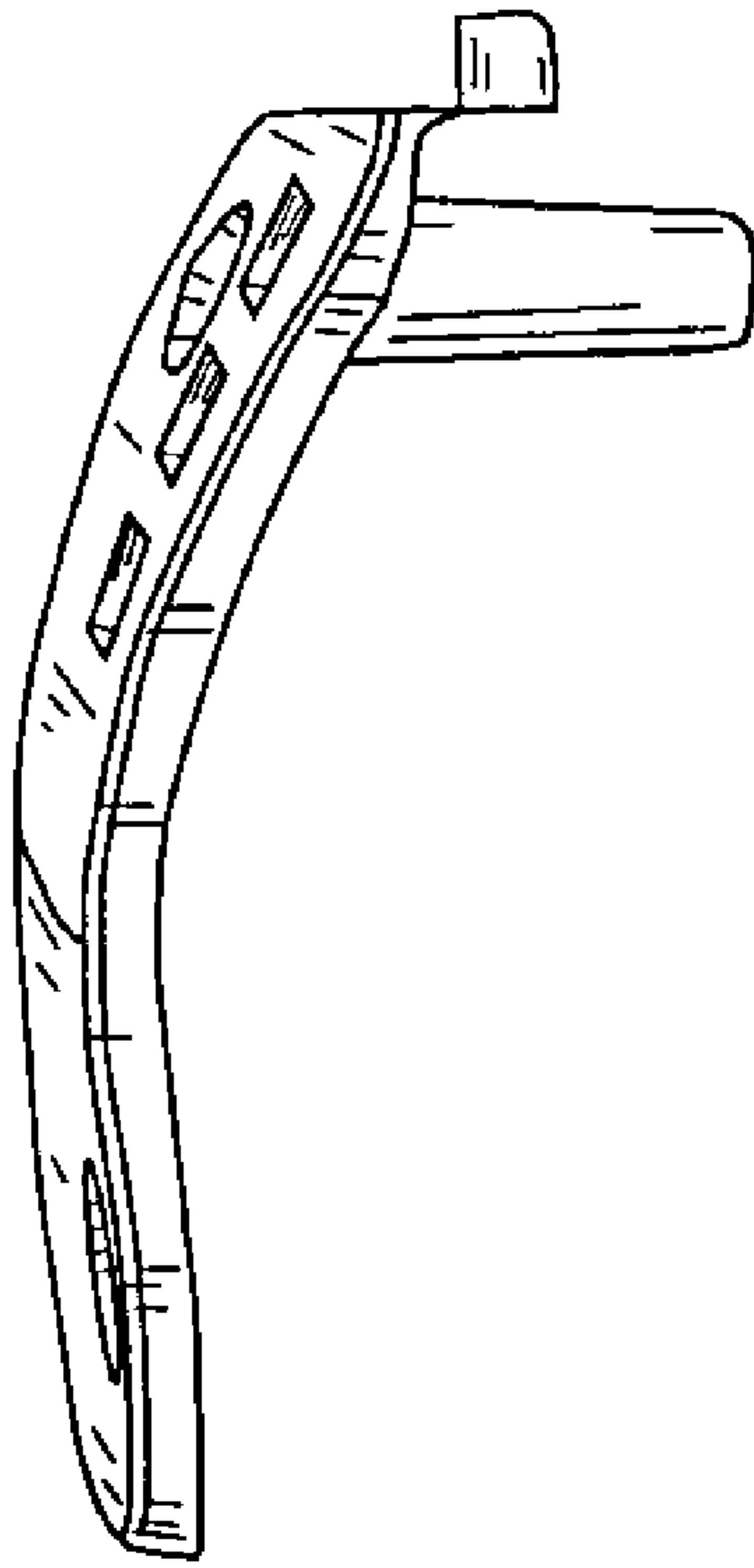
**FIG. 2**



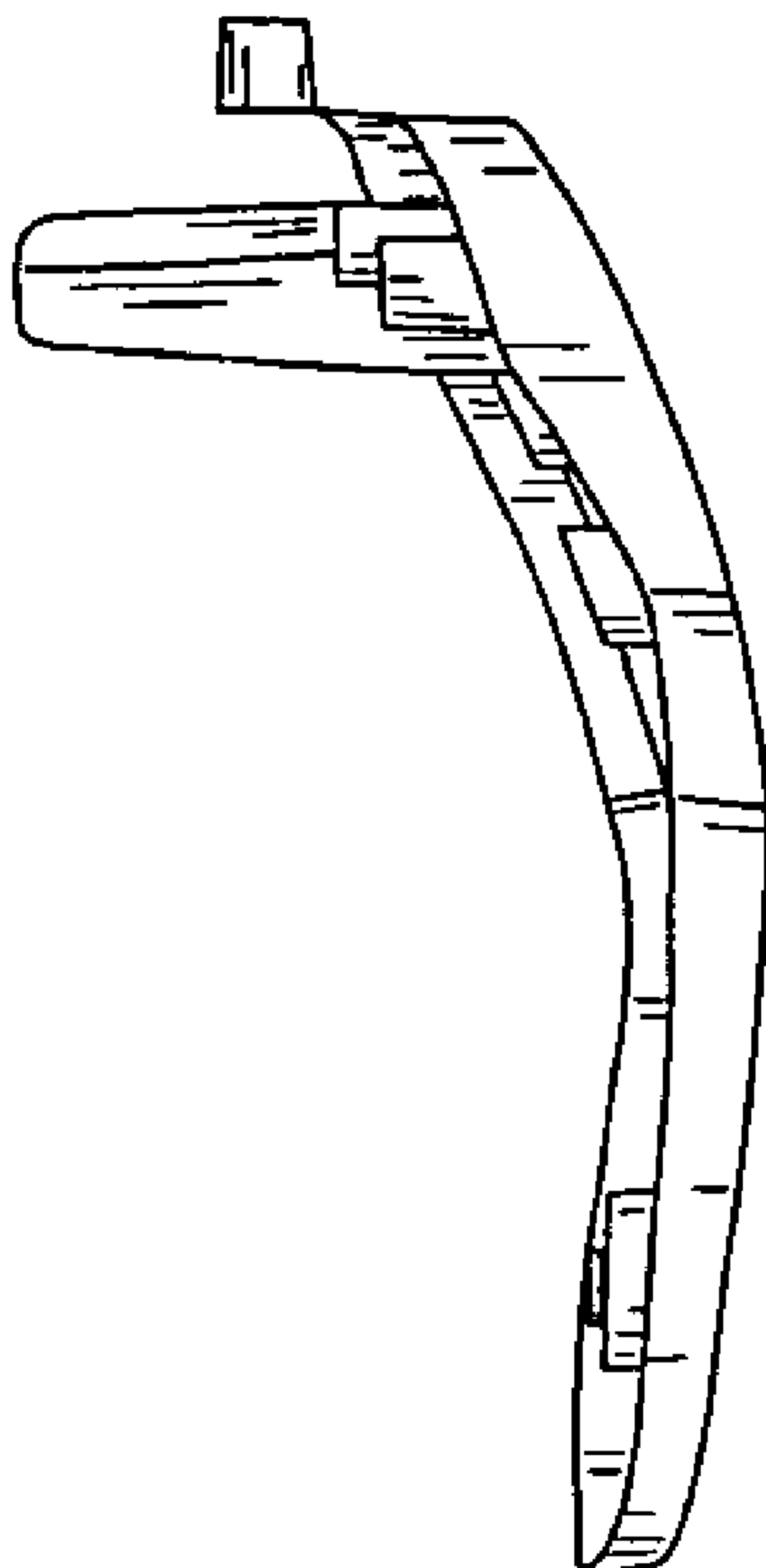
**FIG. 3**



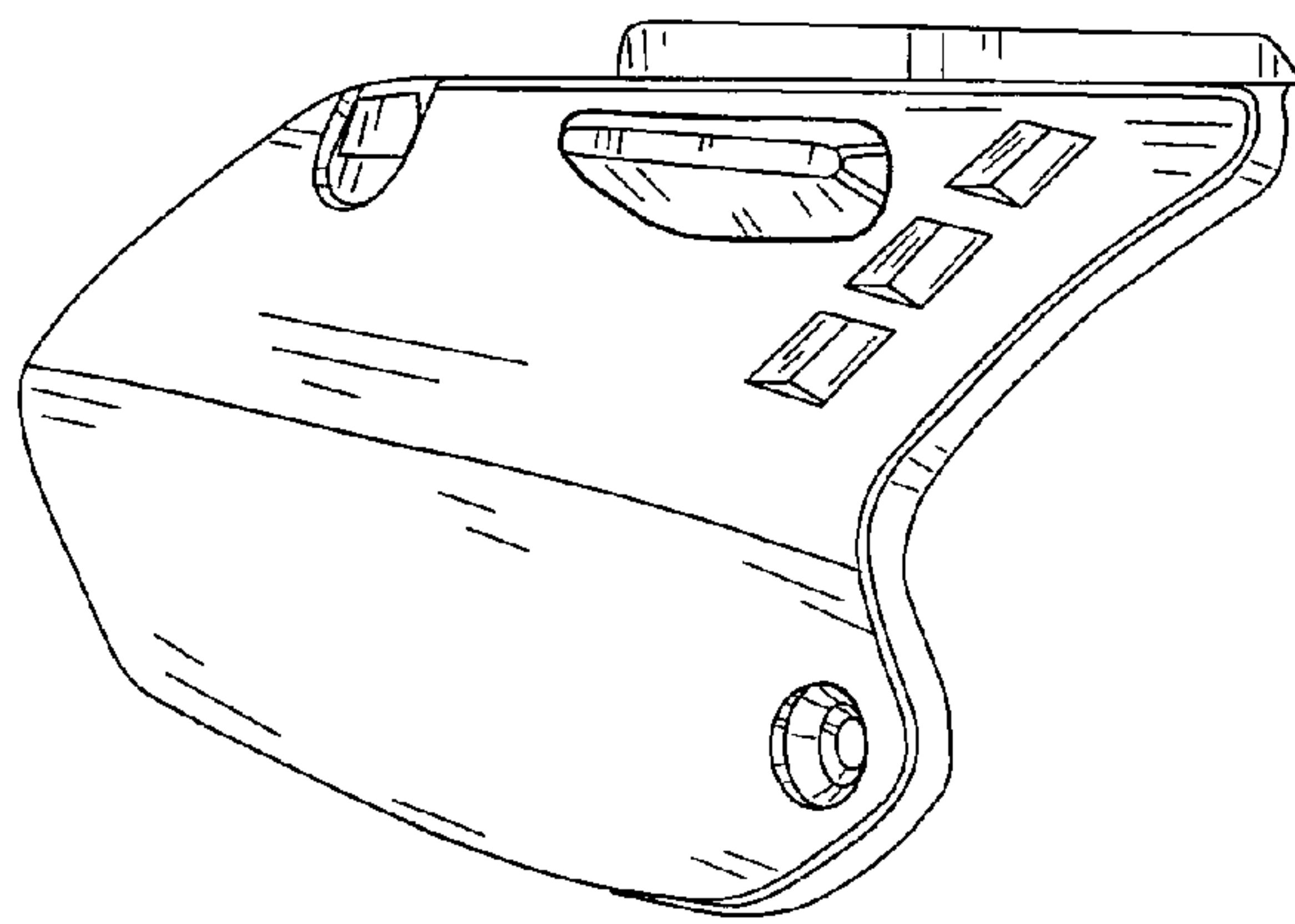
**FIG. 4**



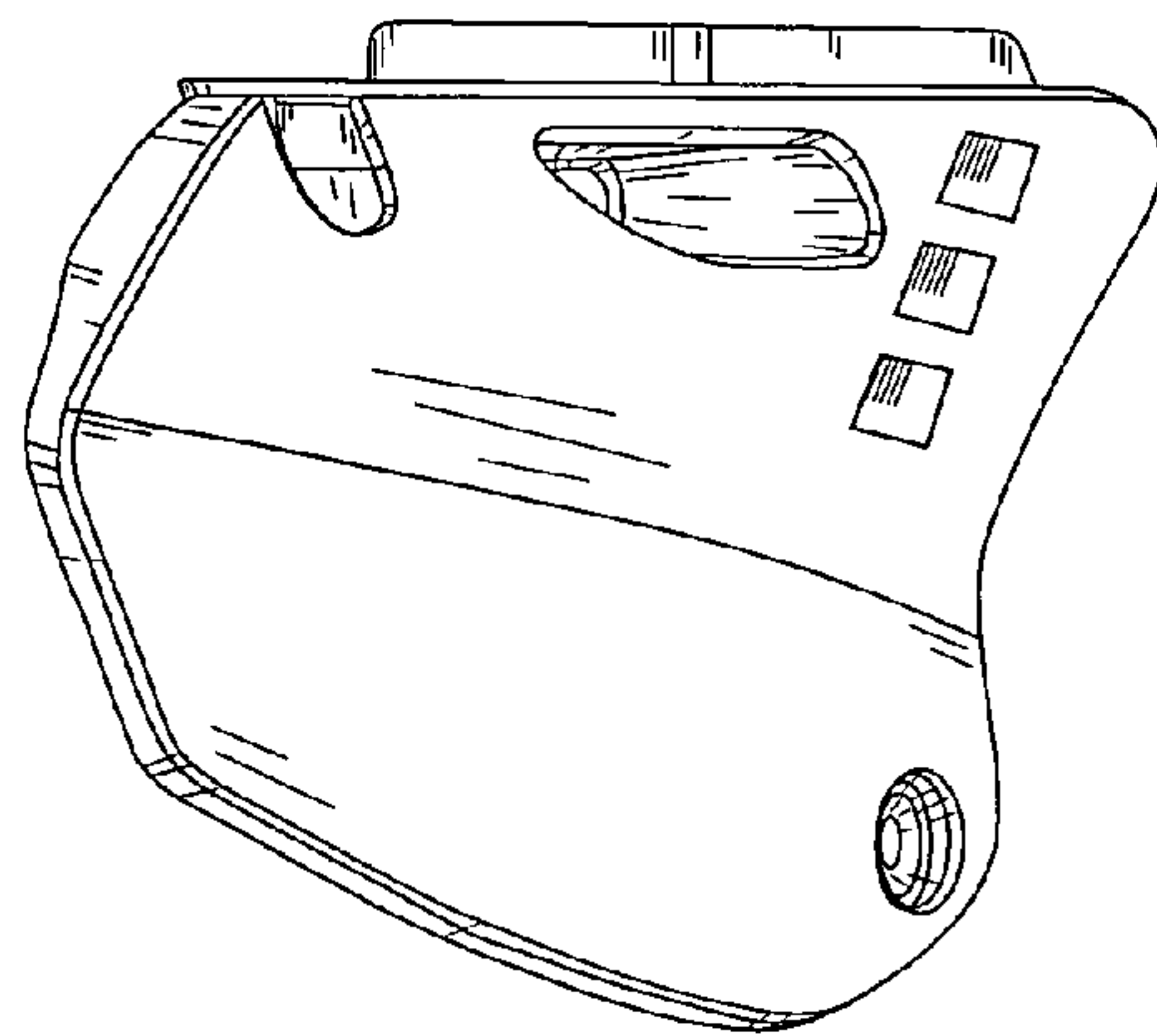
**FIG. 5**



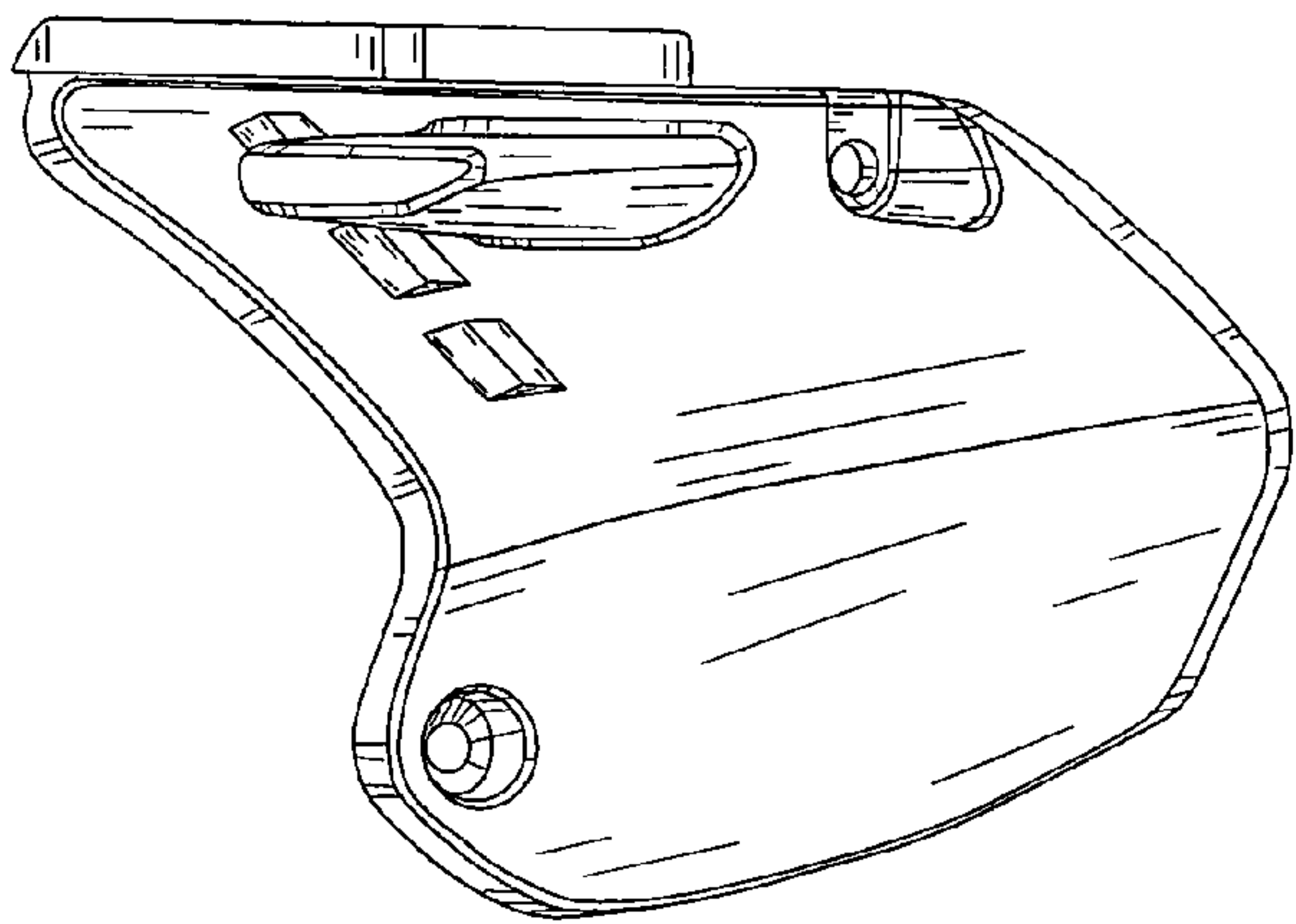
**FIG. 6**



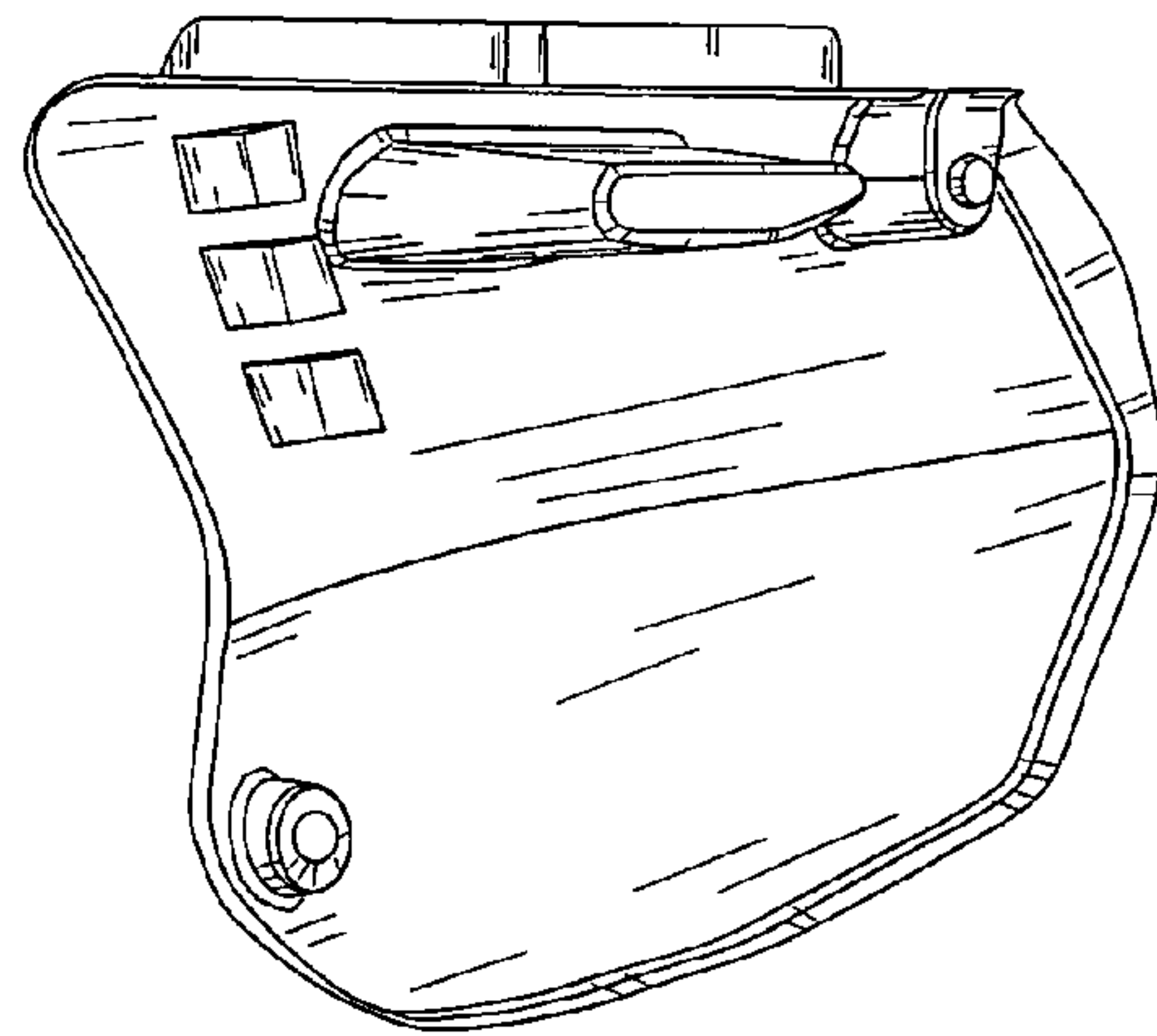
**FIG. 7**



**FIG. 8**



**FIG. 9**



**FIG. 10**