



US00D557179S

(12) **United States Design Patent**  
**Manalac**

(10) **Patent No.:** **US D557,179 S**

(45) **Date of Patent:** **\*\* Dec. 11, 2007**

(54) **GRAB BAR**

D535,593 S \* 1/2007 Crepeau et al. .... D12/169

(75) Inventor: **Norman Manalac**, Orange County, CA  
(US)

\* cited by examiner

(73) Assignee: **Yamaha Motor Corporation, U.S.A.**,  
Cypress, CA (US)

*Primary Examiner*—Cathron C. Brooks

*Assistant Examiner*—Linda Brooks

(74) *Attorney, Agent, or Firm*—Knobbe Martens Olson &  
Bear LLP

(\*\*) Term: **14 Years**

(57) **CLAIM**

(21) Appl. No.: **29/262,005**

The ornamental design for a grab bar, as shown and  
described.

(22) Filed: **Jun. 23, 2006**

**DESCRIPTION**

(51) **LOC (8) Cl.** ..... **12-11**

The grab bar is used on a straddle-type vehicle, for example  
and without limitation, an all-terrain vehicle.

(52) **U.S. Cl.** ..... **D12/114; D12/171**

(58) **Field of Classification Search** ..... D12/3,  
D12/87, 107, 110, 114, 117, 126, 163–166,  
D12/169–171, 216, 222, 223, 406, 407; 180/68.6,  
180/225, 229, 233, 311, 312, 315; 293/102,  
293/112, 115, 142–144, 146, 149; 280/770;  
224/400, 401, 412, 488, 489

FIG. 1 is a front perspective view of a grab bar, configured  
in accordance with a preferred embodiment of the present  
invention;

FIG. 2 is a front elevational view of the grab bar of FIG. 1;

FIG. 3 is a rear elevational view of the grab bar of FIG. 1;

FIG. 4 is a top view of the grab bar of FIG. 1;

FIG. 5 is a bottom view of the grab bar of FIG. 1;

FIG. 6 is a left side view of the grab bar of FIG. 1; and,

FIG. 7 is a right side view of the grab bar of FIG. 1.

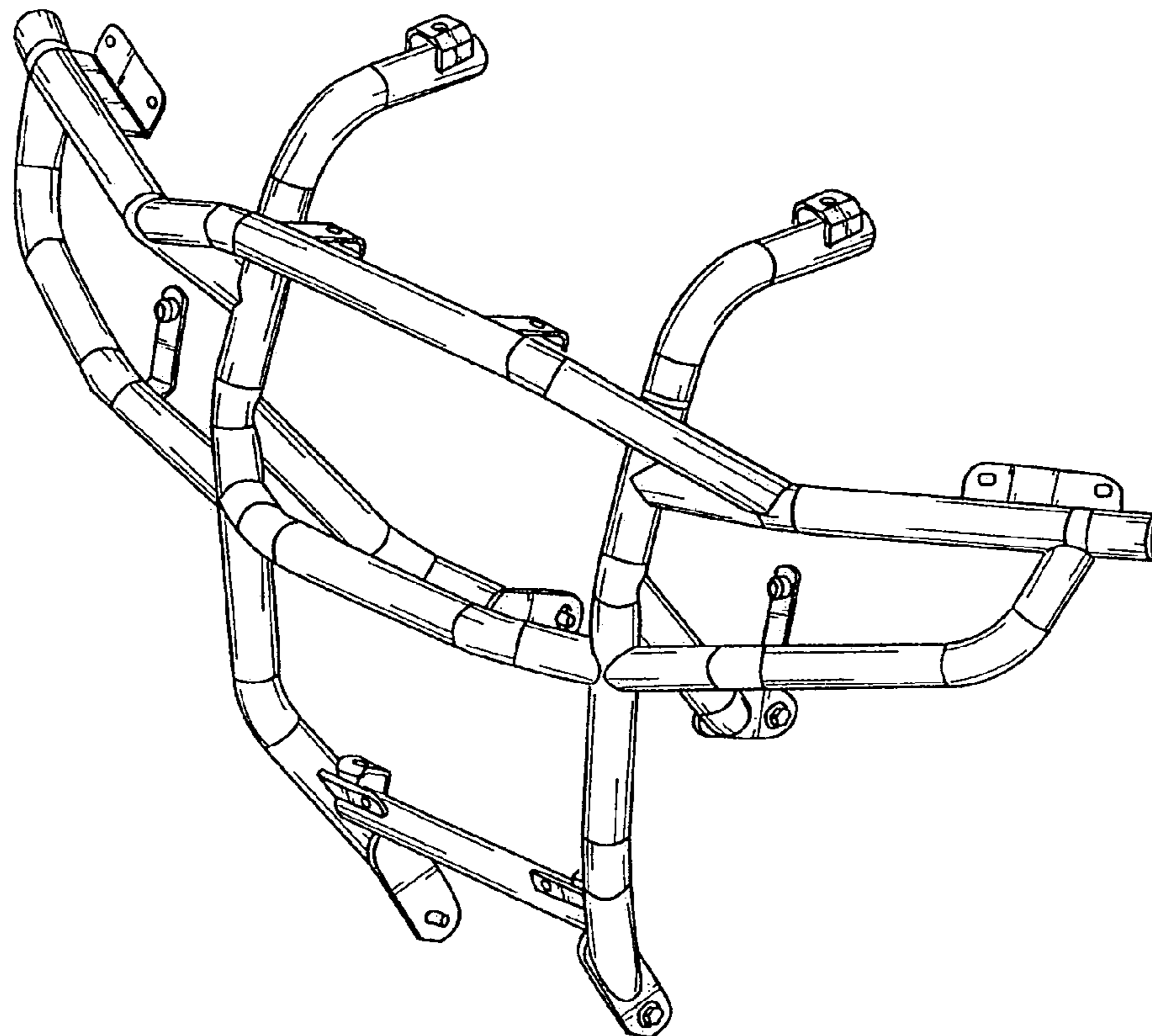
See application file for complete search history.

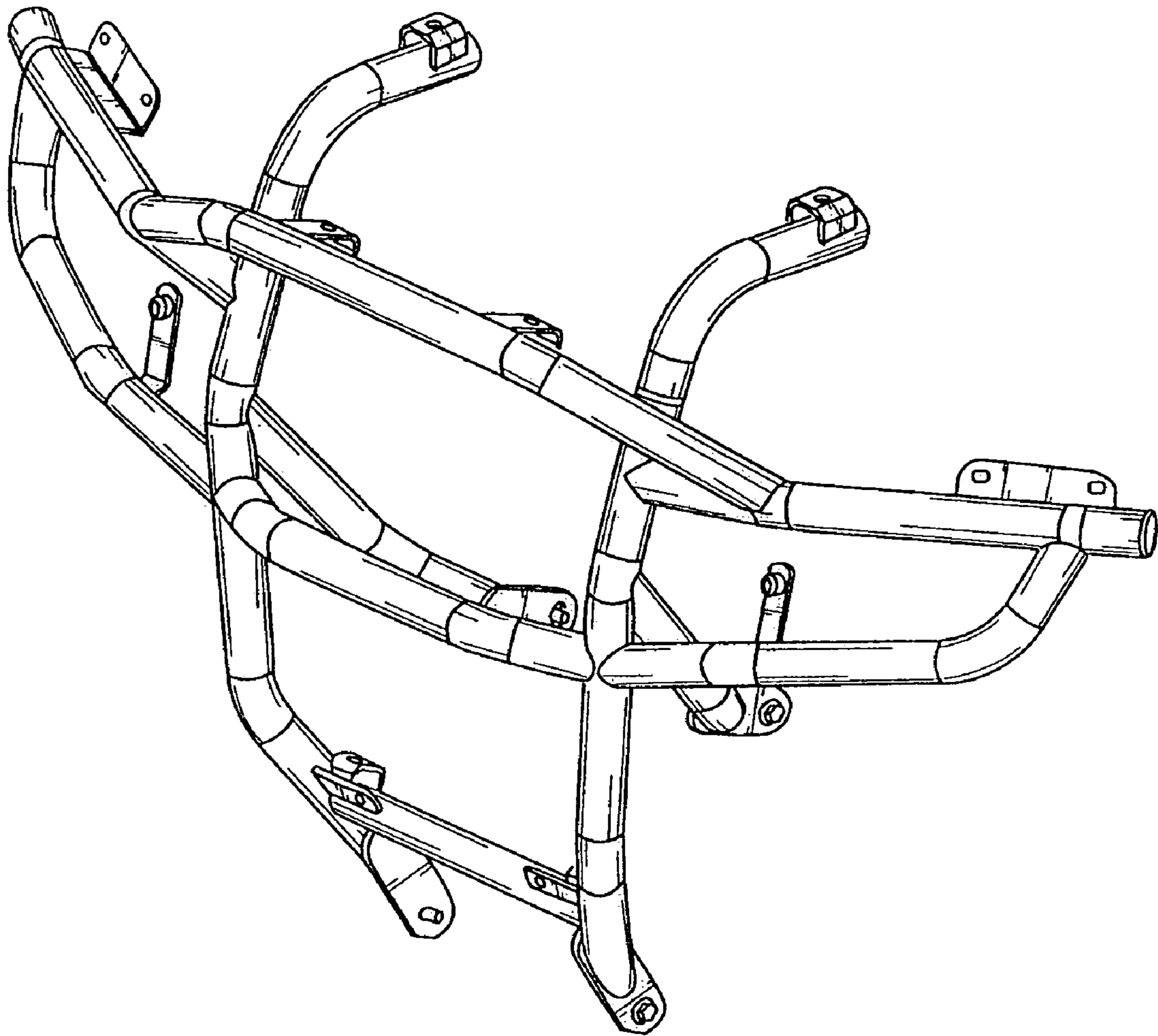
(56) **References Cited**

**U.S. PATENT DOCUMENTS**

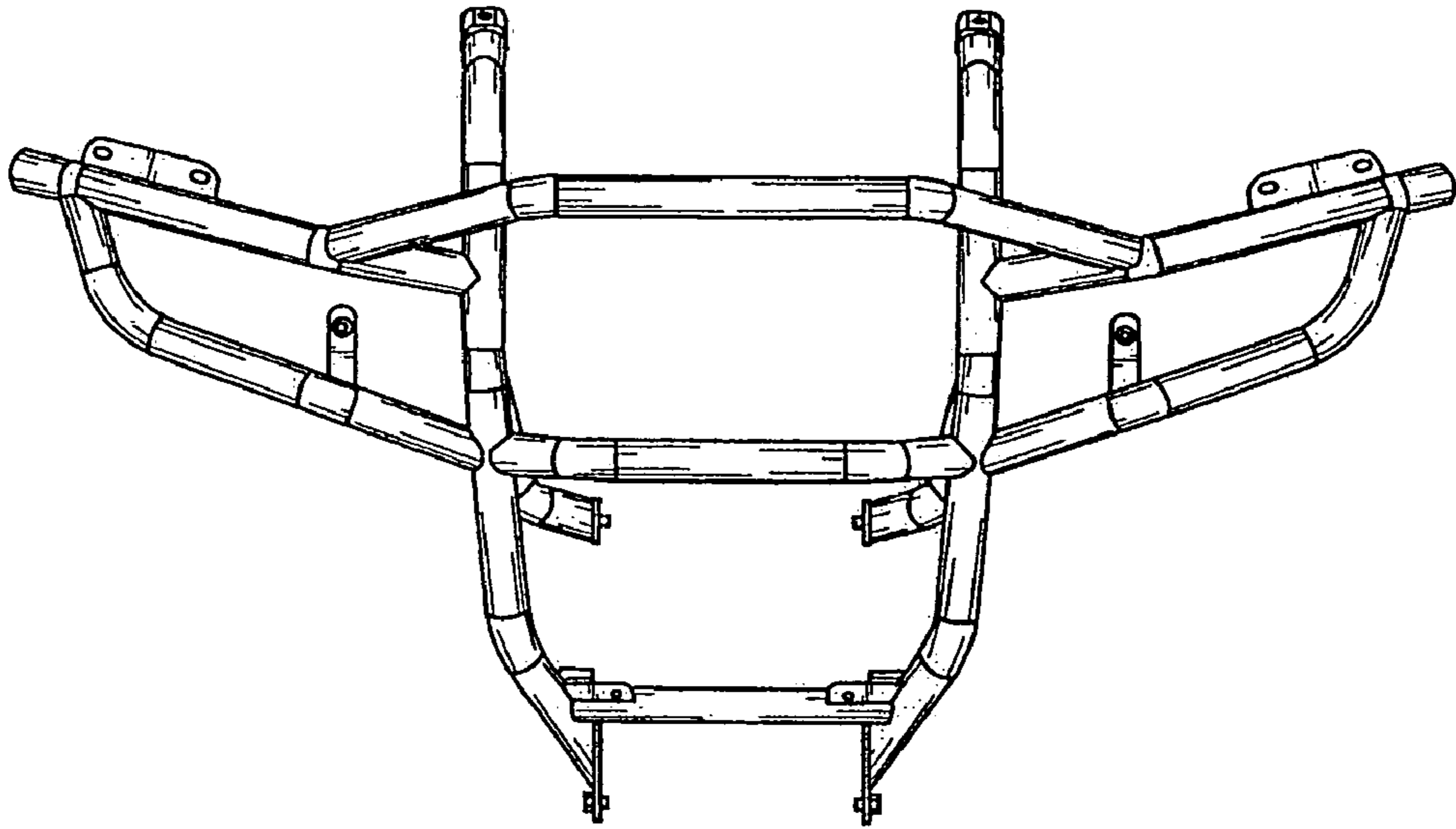
D421,935 S \* 3/2000 Fujieda ..... D12/107  
6,460,907 B2 \* 10/2002 Usui ..... 293/115  
6,675,922 B2 \* 1/2004 Kawamoto et al. .... 180/76

**1 Claim, 4 Drawing Sheets**

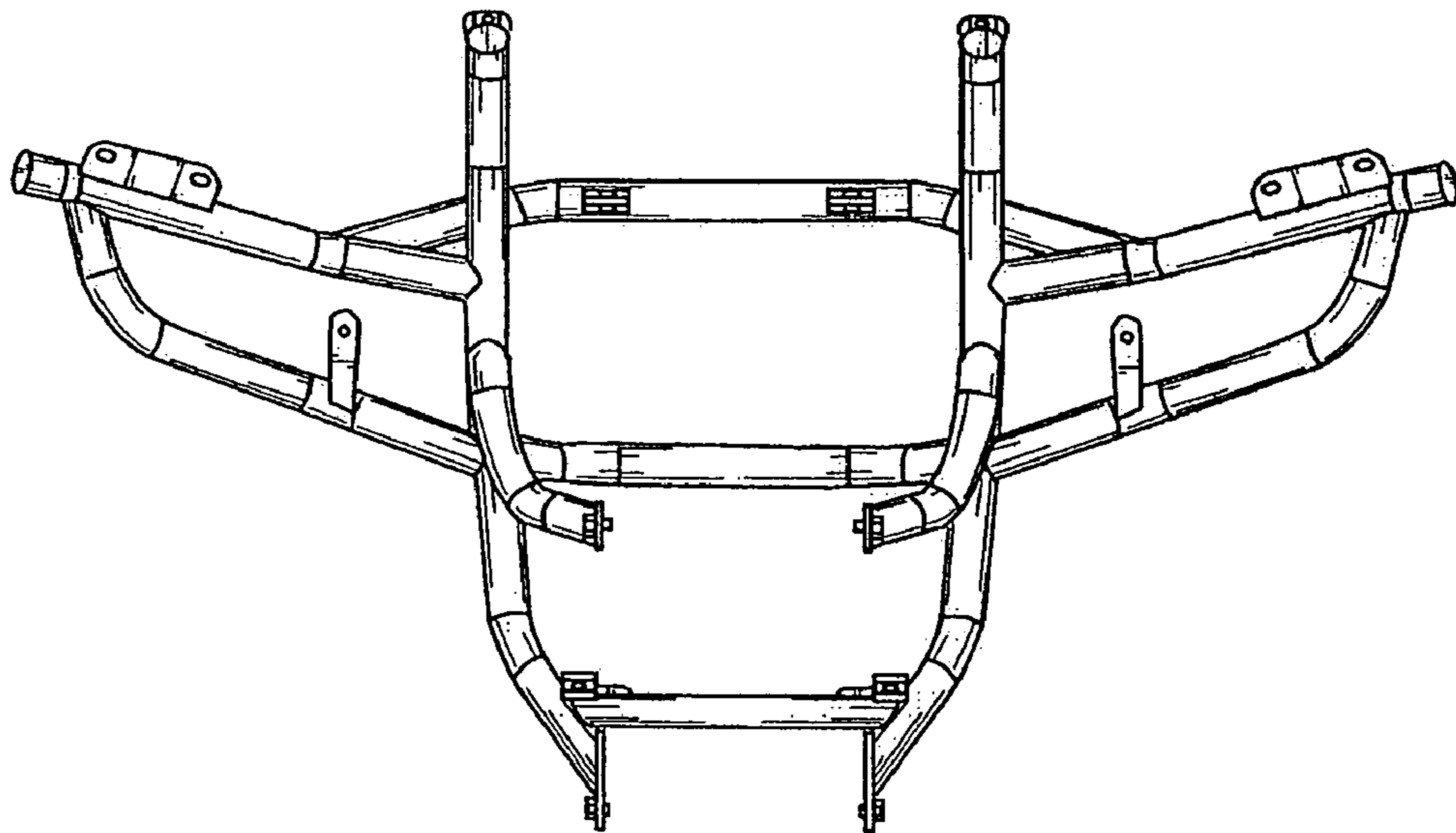




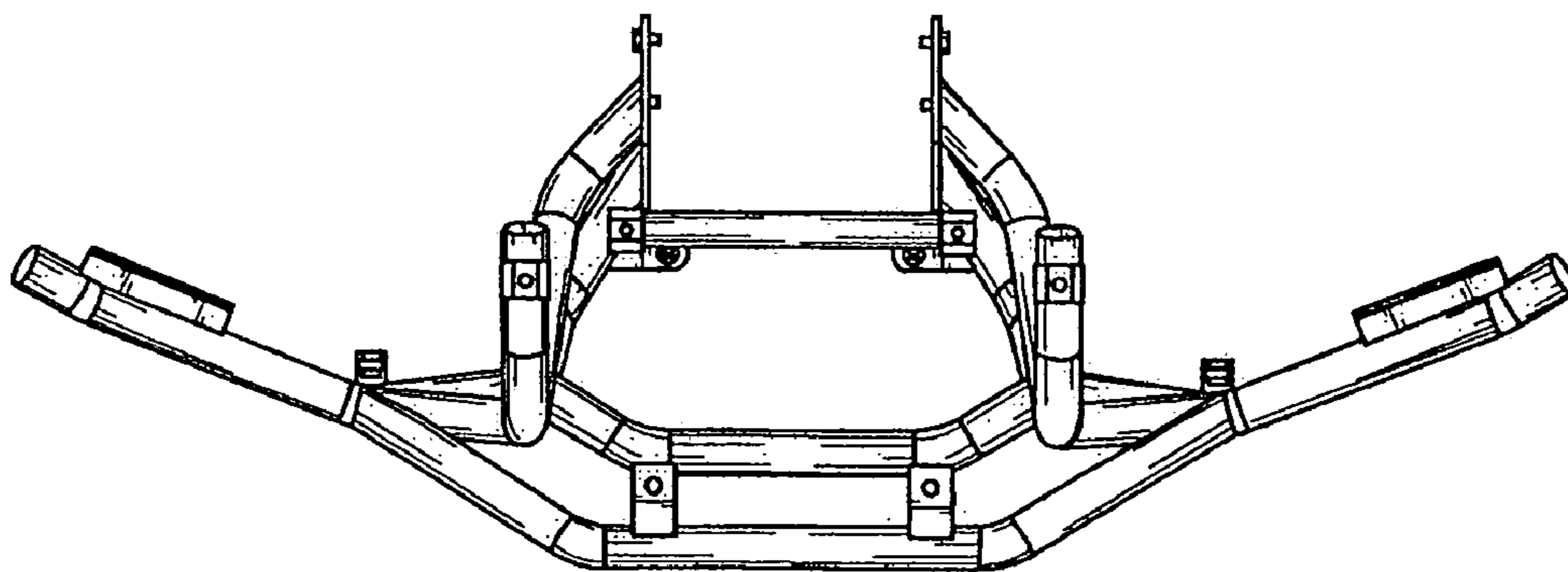
*Figure 1*



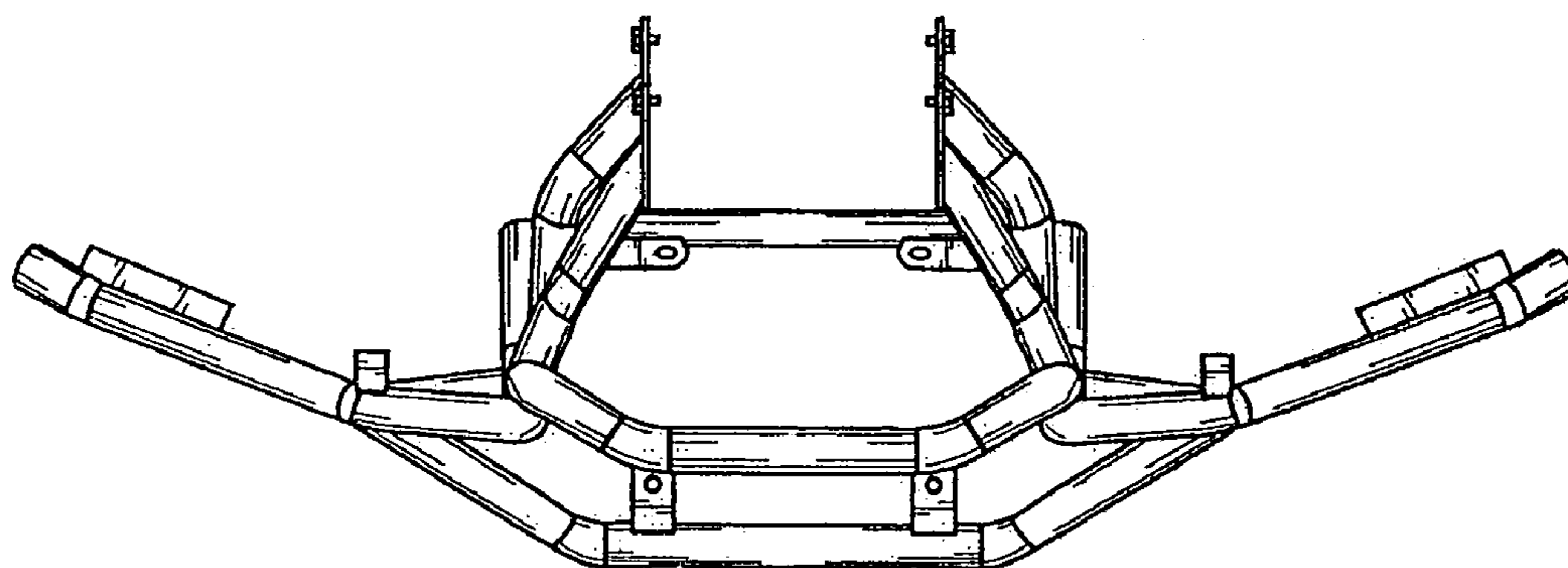
*Figure 2*



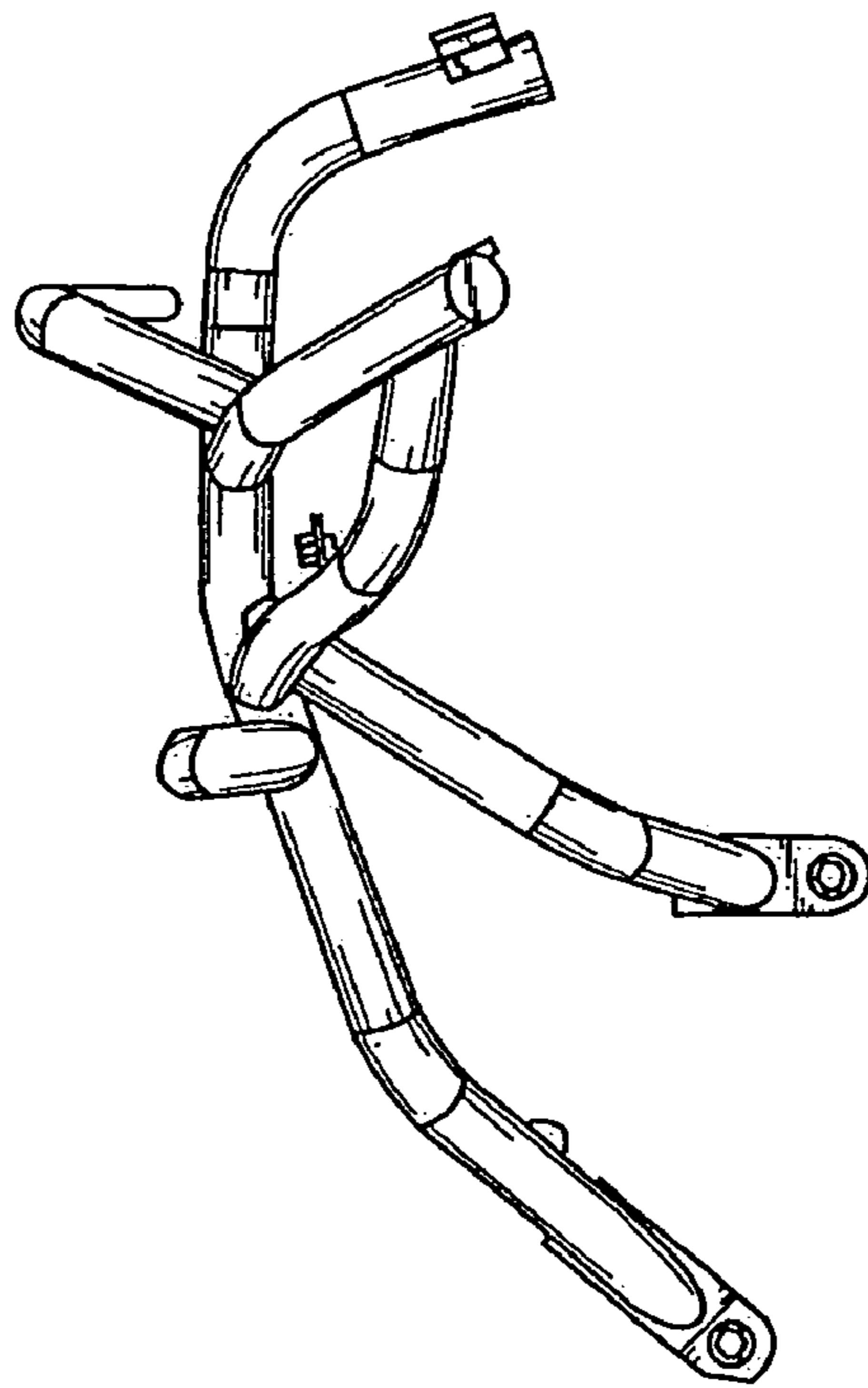
*Figure 3*



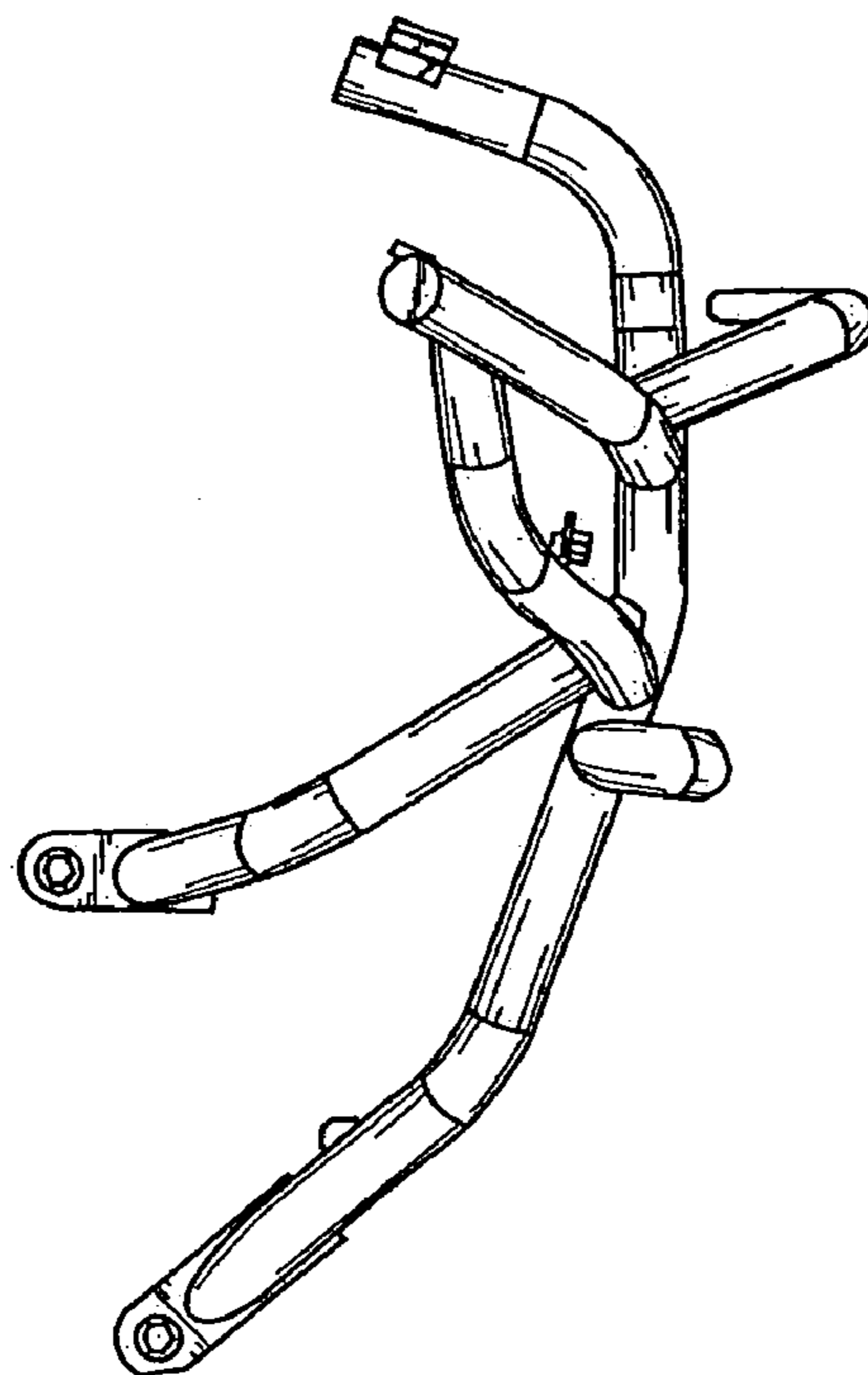
*Figure 4*



*Figure 5*



*Figure 6*



*Figure 7*