



US00D557178S

(12) **United States Design Patent** (10) **Patent No.:** **US D557,178 S**
Petzitillo, Jr. et al. (45) **Date of Patent:** **** Dec. 11, 2007**

(54) **MOBILE STORAGE TANK**

(75) Inventors: **Anthony D. Petzitillo, Jr.**, Sicklerville, NJ (US); **Todd A. Fowler**, Sewell, NJ (US)

(73) Assignee: **Wastequip, Inc.**, Cleveland, PA (US)

(**) Term: **14 Years**

(21) Appl. No.: **29/250,904**

(22) Filed: **Dec. 5, 2006**

(51) **LOC (8) Cl.** **12-16**

(52) **U.S. Cl.** **D12/95**

(58) **Field of Classification Search** D12/95,
D12/97, 218; 280/831, 835, 837, 423.1;
220/1.5

See application file for complete search history.

(56) **References Cited**

U.S. PATENT DOCUMENTS

D353,352 S *	12/1994	Holloway, Jr.	D12/95
D379,948 S *	6/1997	Wade	D12/95
D384,913 S *	10/1997	Norman et al.	D12/95
6,152,492 A *	11/2000	Markham et al.	280/837
D442,520 S *	5/2001	Wade	D12/95
6,279,955 B1 *	8/2001	Fisher	280/837

* cited by examiner

Primary Examiner—Melody N Brown
(74) *Attorney, Agent, or Firm*—Duane Morris LLP

(57) **CLAIM**

The ornamental design of a mobile storage tank, as shown and described.

DESCRIPTION

FIG. 1 is a rear perspective view of a mobile storage tank, according to the new design, shaded to show flat, smooth surfaces;

FIG. 2 is a front perspective view thereof;

FIG. 3 is a side elevation view, from the left side in FIG. 1;

FIG. 4 is a side elevation view, from the right side in FIG. 1, showing a staircase and platform as part thereof;

FIG. 5 is a top plan view;

FIG. 6 is a rear elevation view;

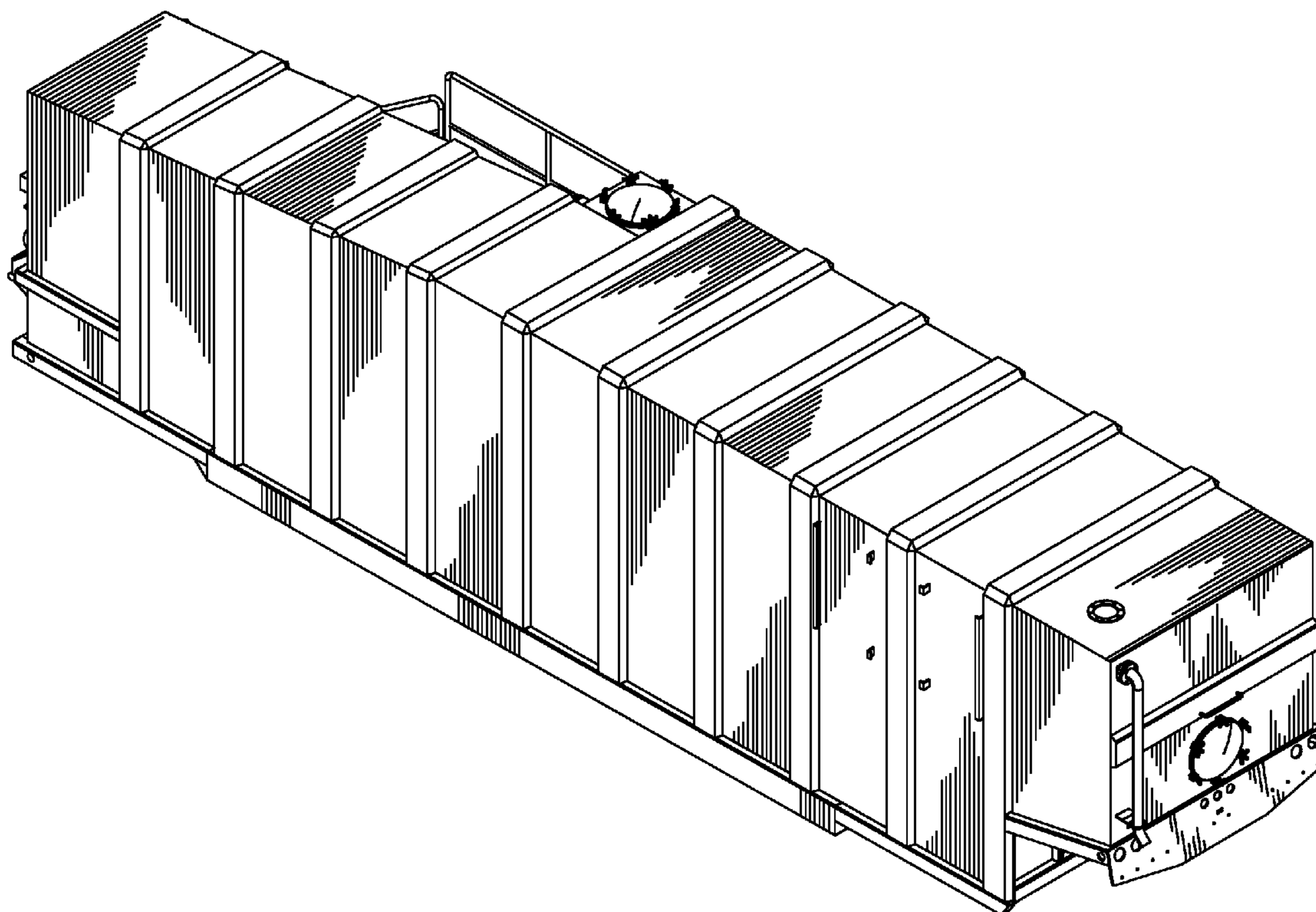
FIG. 7 is a front elevation view;

FIG. 8 is side elevation view, from the left side in FIG. 1, wherein supporting wheels are shown in phantom lines; and,

FIG. 9 is side elevation view, from the right side in FIG. 1, wherein supporting wheels are shown in phantom lines.

Subject matter shown in phantom lines forms no part of the claimed design.

1 Claim, 5 Drawing Sheets



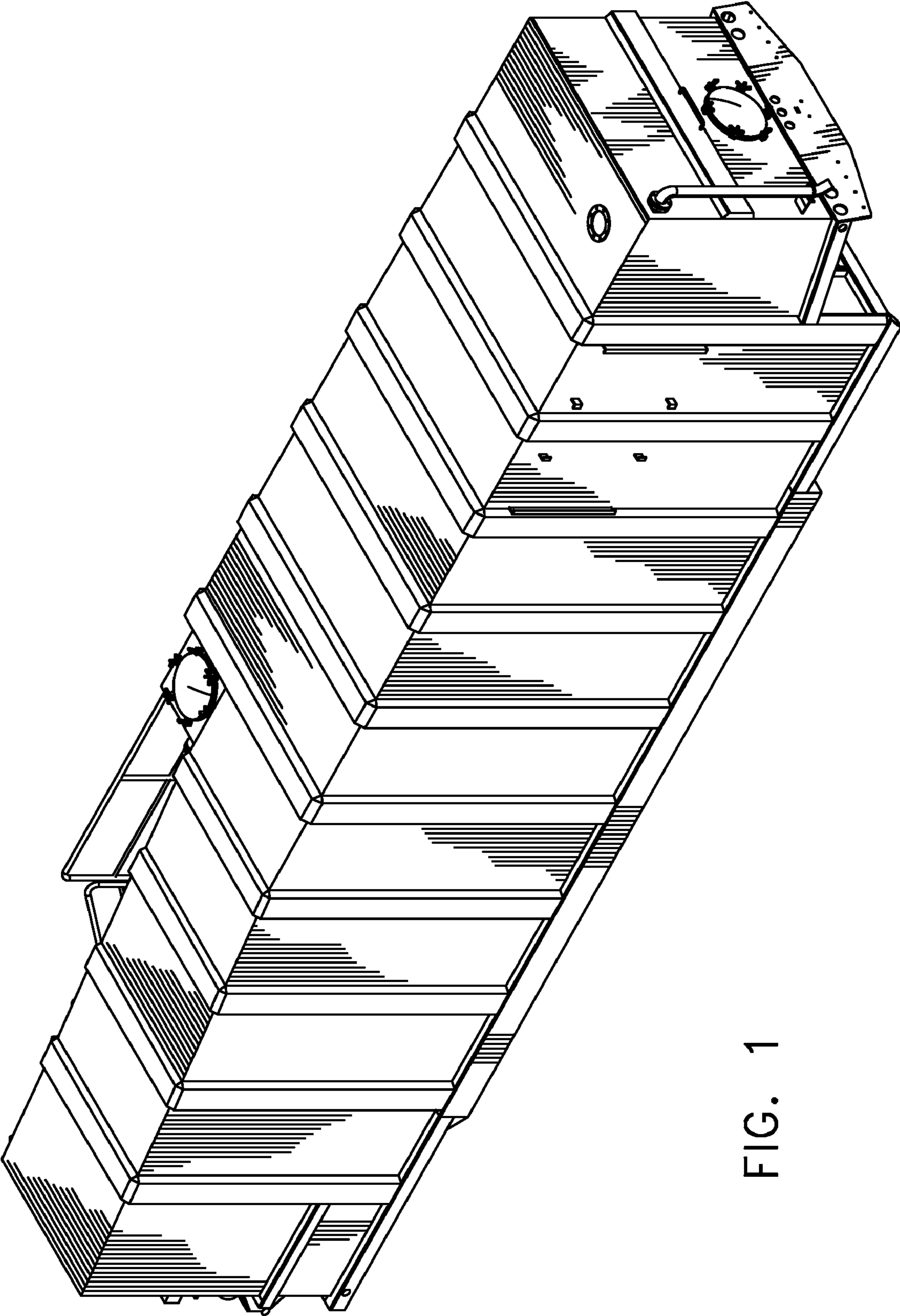


FIG. 1

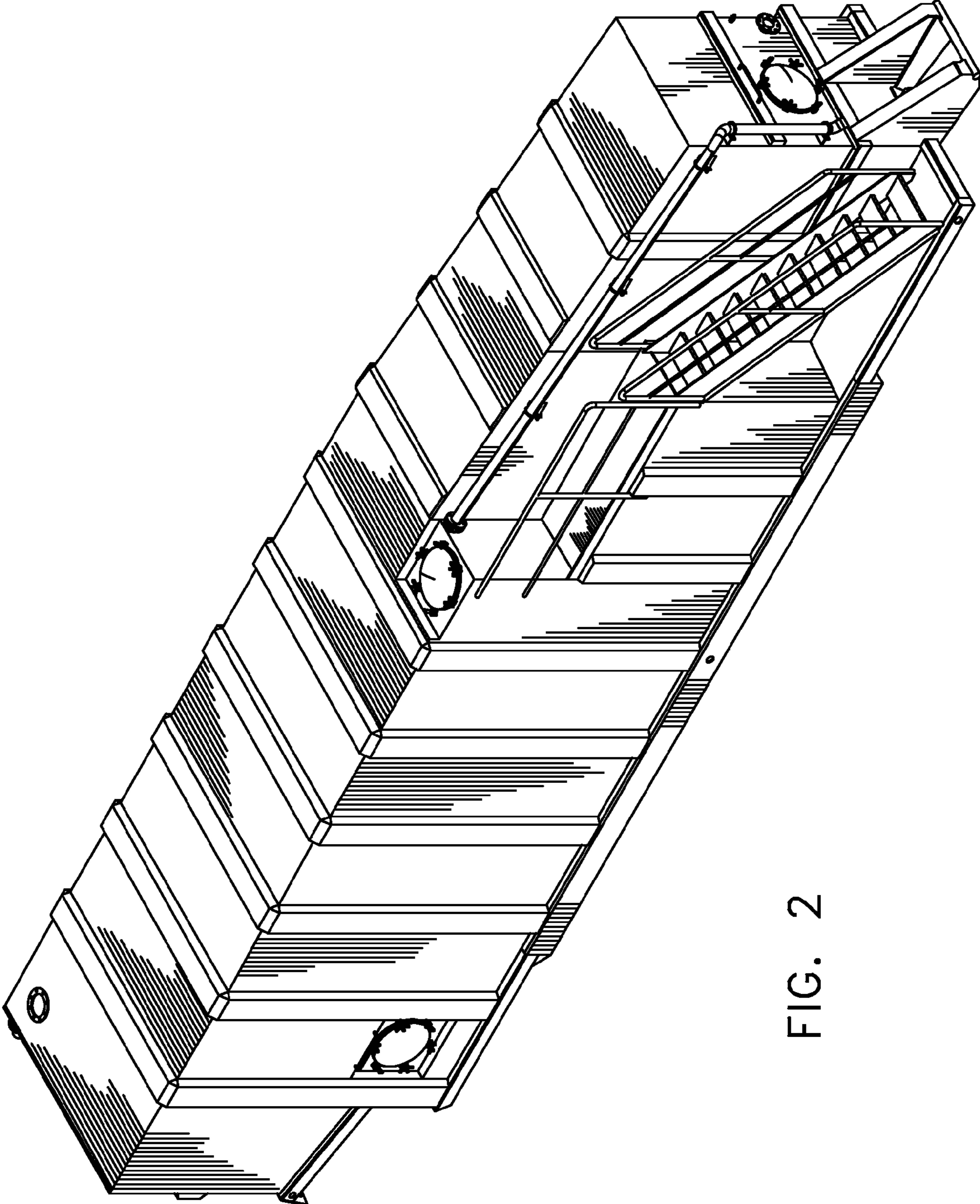


FIG. 2

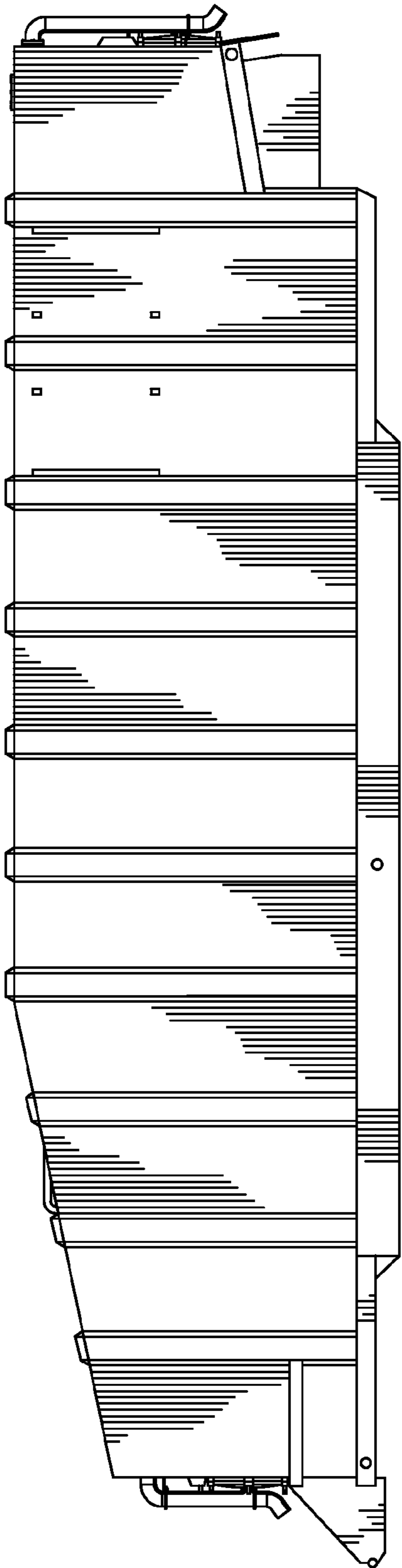


FIG. 3

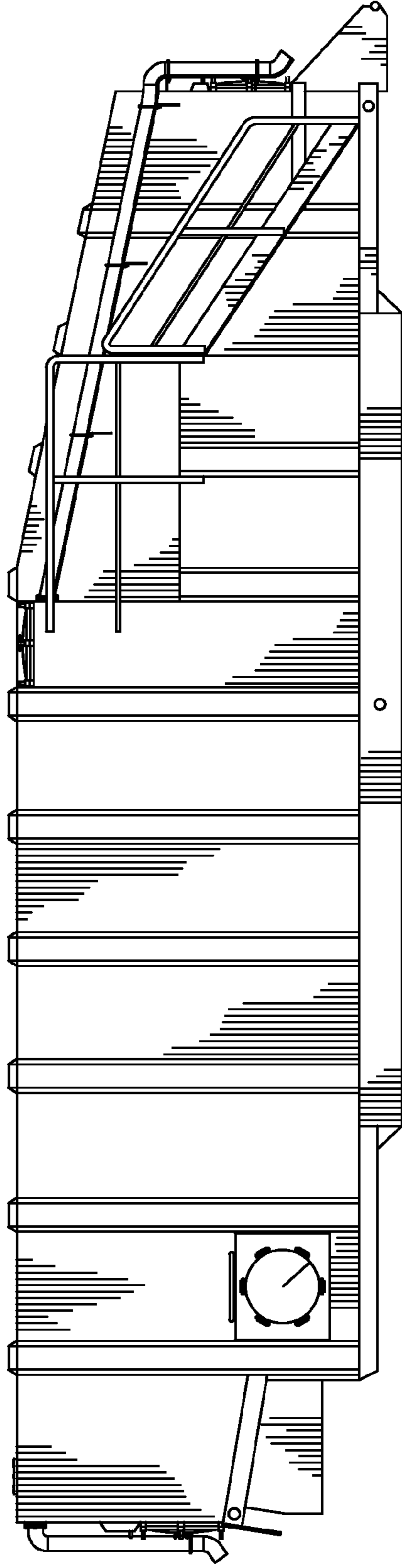


FIG. 4

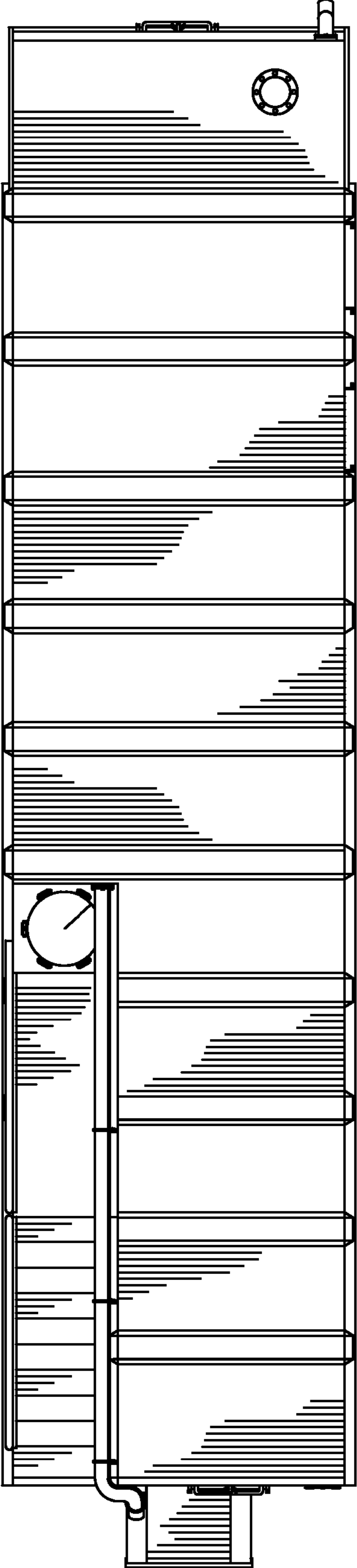


FIG. 5

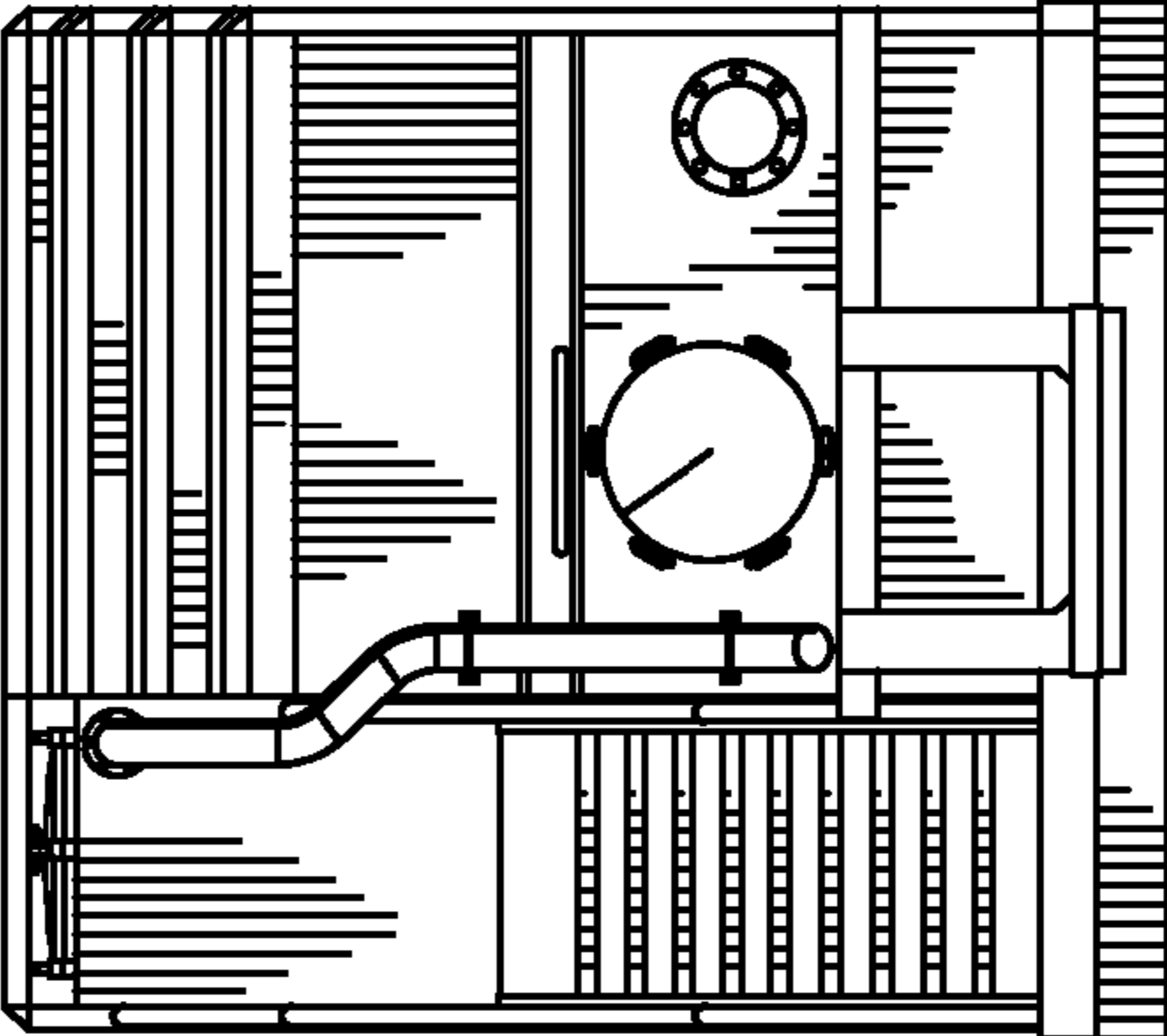


FIG. 7

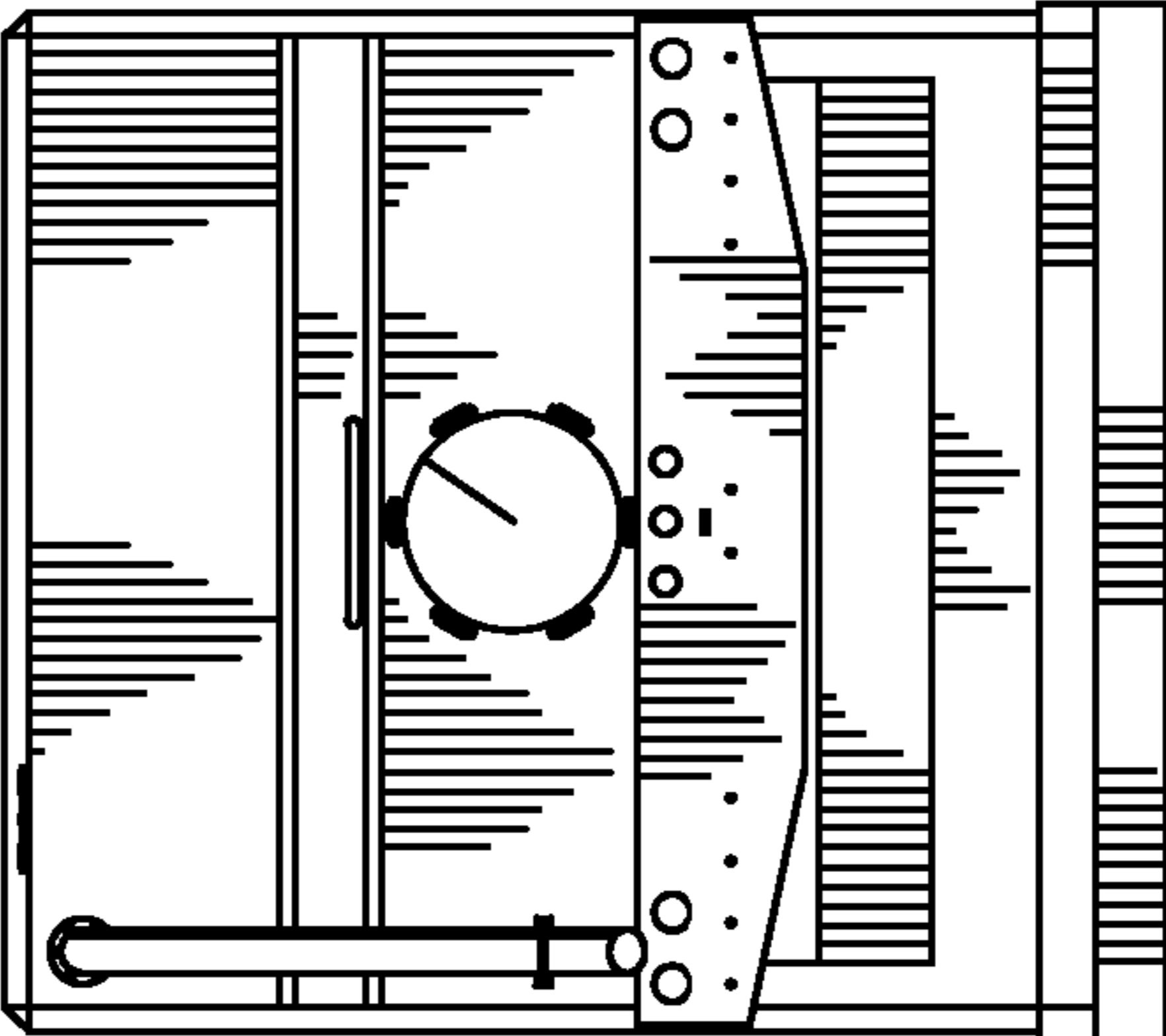


FIG. 6

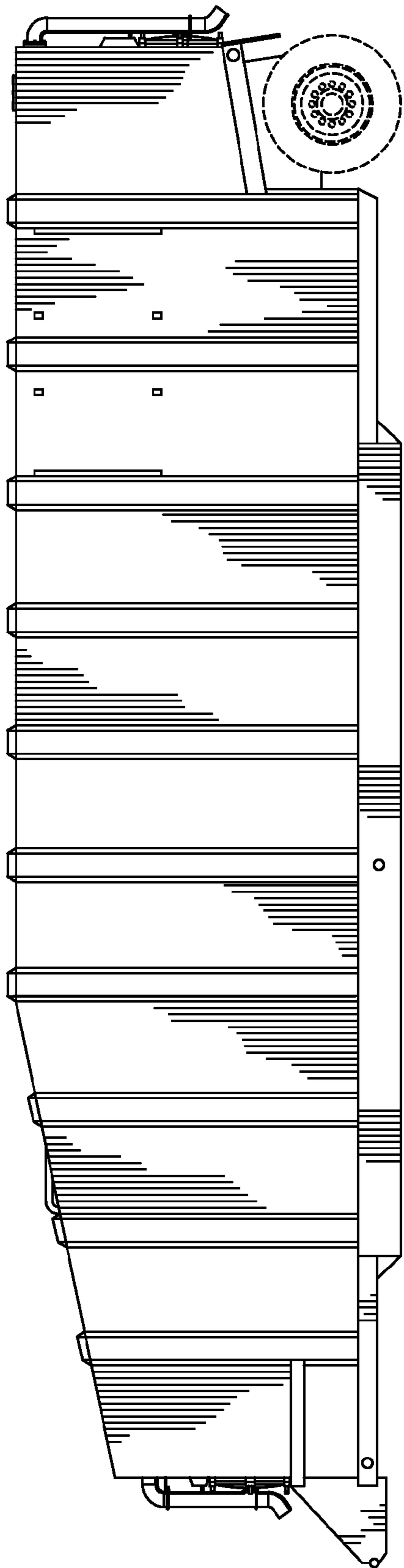


FIG. 8

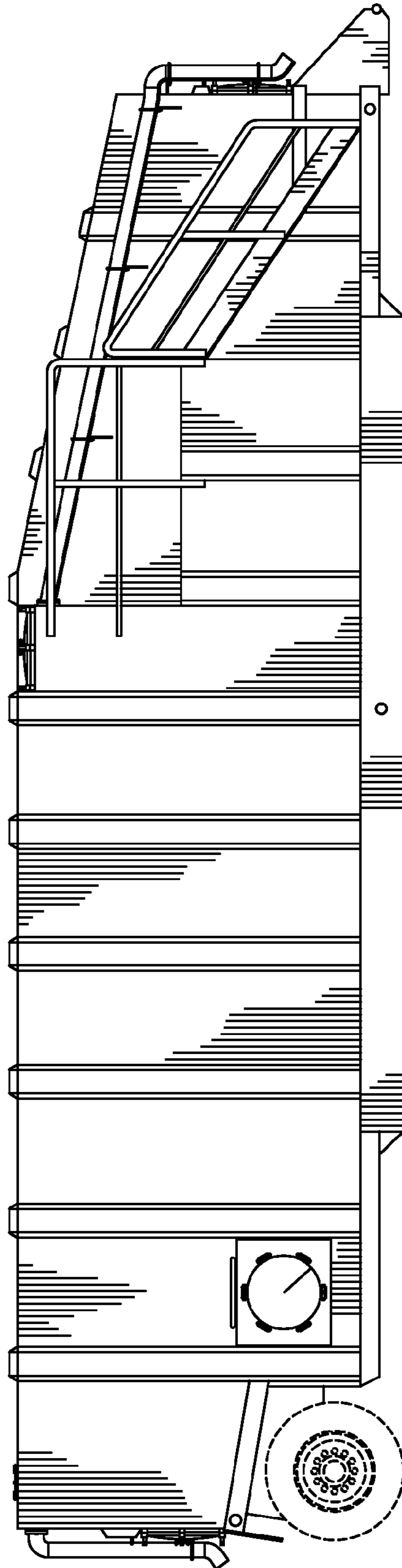


FIG. 9