



US00D557176S

(12) **United States Design Patent**
Howard

(10) **Patent No.:** **US D557,176 S**

(45) **Date of Patent:** **** Dec. 11, 2007**

(54) **TOW TRUCK BODY**

(76) Inventor: **Mark Wayne Howard**, 1680 Midland Ave., Unit 10 & 11, Scarborough, Ontario (CA) M1P 3C6

(**) Term: **14 Years**

(21) Appl. No.: **29/221,636**

(22) Filed: **Jan. 21, 2005**

(30) **Foreign Application Priority Data**

Oct. 28, 2004 (CA) 108801

(51) **LOC (8) Cl.** **12-13**

(52) **U.S. Cl.** **D12/14; D34/35**

(58) **Field of Classification Search** D12/14, D12/96, 97, 91, 98, 222, 196, 86, 1, 102-6, D12/99, 82; D21/556; 414/563, 426, 429, 414/255, 256, 259, 260, 481, 467, 483; 296/102, 296/183; 280/402; 254/139.1; 212/8 R, 212/59 R; 410/77; 298/22 R, 17 T, 17 R
See application file for complete search history.

(56) **References Cited**

U.S. PATENT DOCUMENTS

D256,901 S *	9/1980	Carr et al.	D12/14
D295,084 S *	4/1988	Weber	D26/35
D297,131 S *	8/1988	Thomison et al.	D12/14
4,761,111 A *	8/1988	Brown	414/563
D306,848 S *	3/1990	Macor	D12/222
D313,577 S *	1/1991	Verducci	D12/14
D382,834 S *	8/1997	Perlman et al.	D12/98
D424,477 S *	5/2000	Lund	D12/98
2006/0045707 A1 *	3/2006	Nolasco et al.	414/563

* cited by examiner

Primary Examiner—Lou Zarfas
Assistant Examiner—Anna K Dworzecka

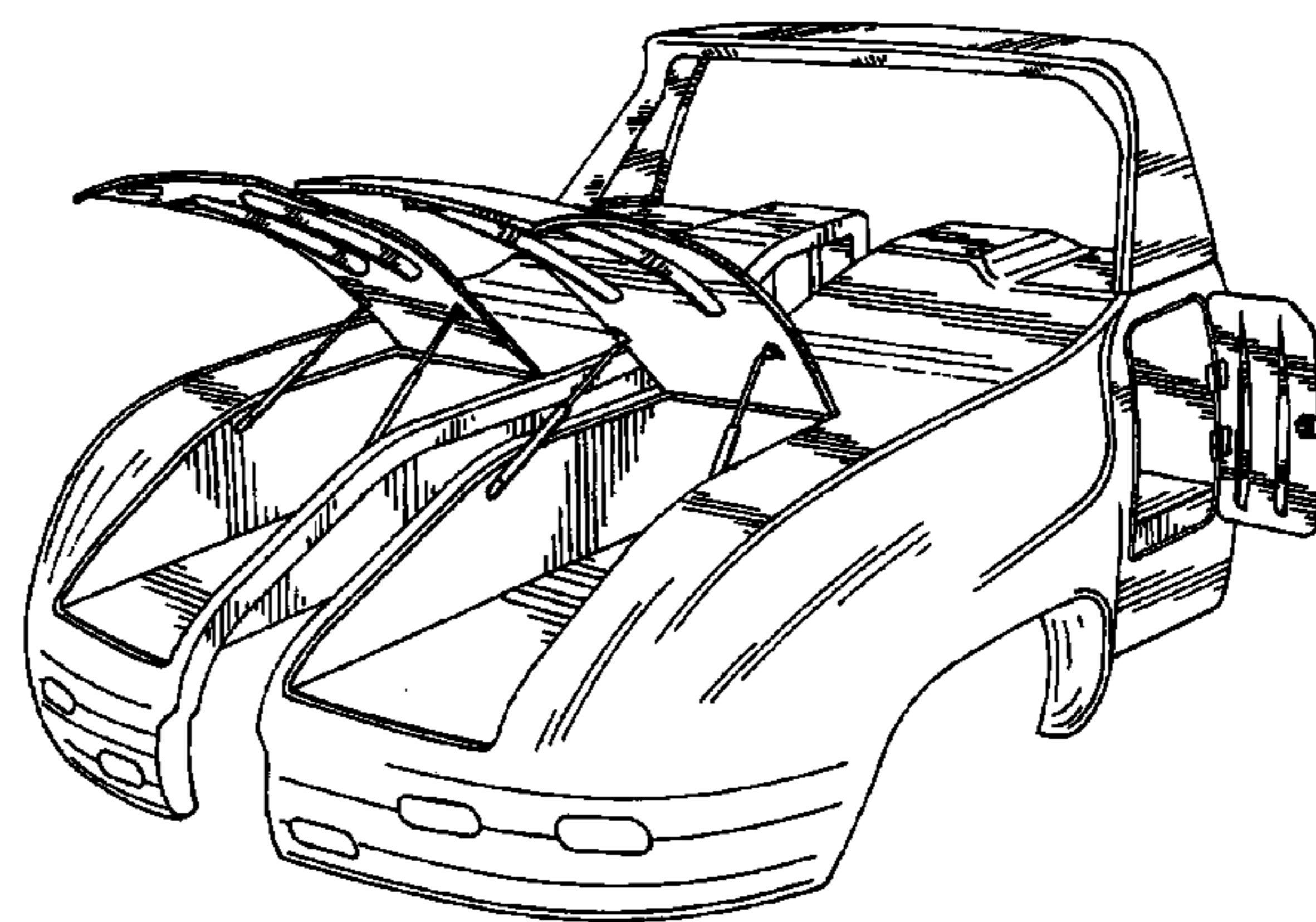
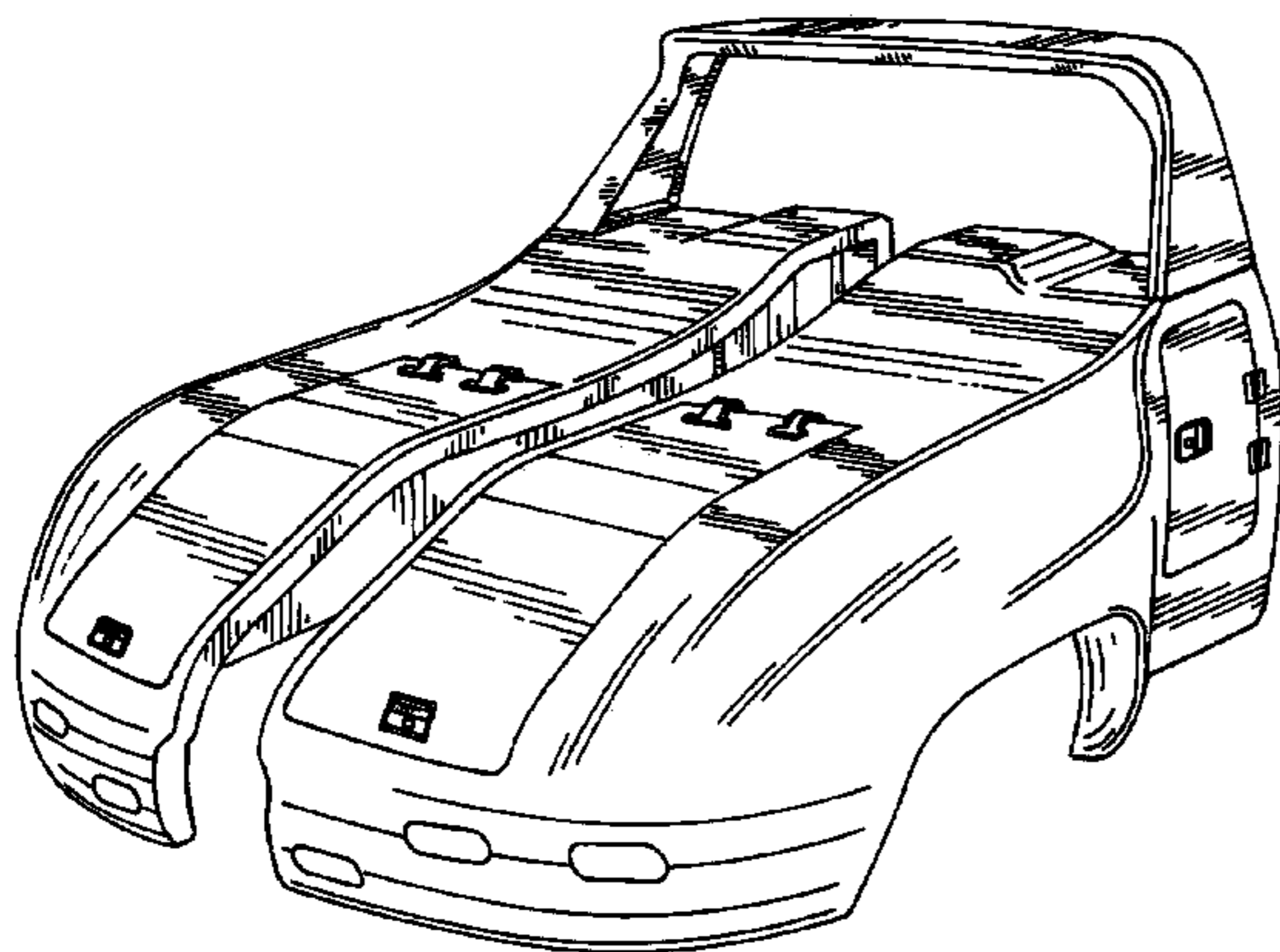
(57) **CLAIM**

The ornamental design for a tow truck body, as shown and described.

DESCRIPTION

FIG. 1 is a rear perspective view showing my new design. FIG. 2 is a rear elevation view of FIG. 1. FIG. 3 is a front elevation view of FIG. 1. FIG. 4 is a left side elevation view of FIG. 1. FIG. 5 is a right side elevation view of FIG. 1. FIG. 6 is a top plan view of FIG. 1 in a closed position. FIG. 7 is a bottom plan view of FIG. 1 in a closed position. FIG. 8 is a rear perspective view of FIG. 1 in an open position. FIG. 9 is a rear elevation view of FIG. 1 in an open position. FIG. 10 is a front elevation view of FIG. 1 in an open position. FIG. 11 is a left side view of FIG. 1 in an open position. FIG. 12 is a right side elevation view of FIG. 1 in an open position. FIG. 13 is a top plan view of FIG. 1 in an open position. FIG. 14 is a bottom plan view of FIG. 1 in an open position. FIG. 15 is an exploded rear perspective view of FIG. 1 in a closed position; and, FIG. 16 is a rear perspective view of FIG. 1 in a closed position. In the drawings, the broken line in FIG. 16 depicts environmental subject matter and forms no part of the claim.

1 Claim, 13 Drawing Sheets



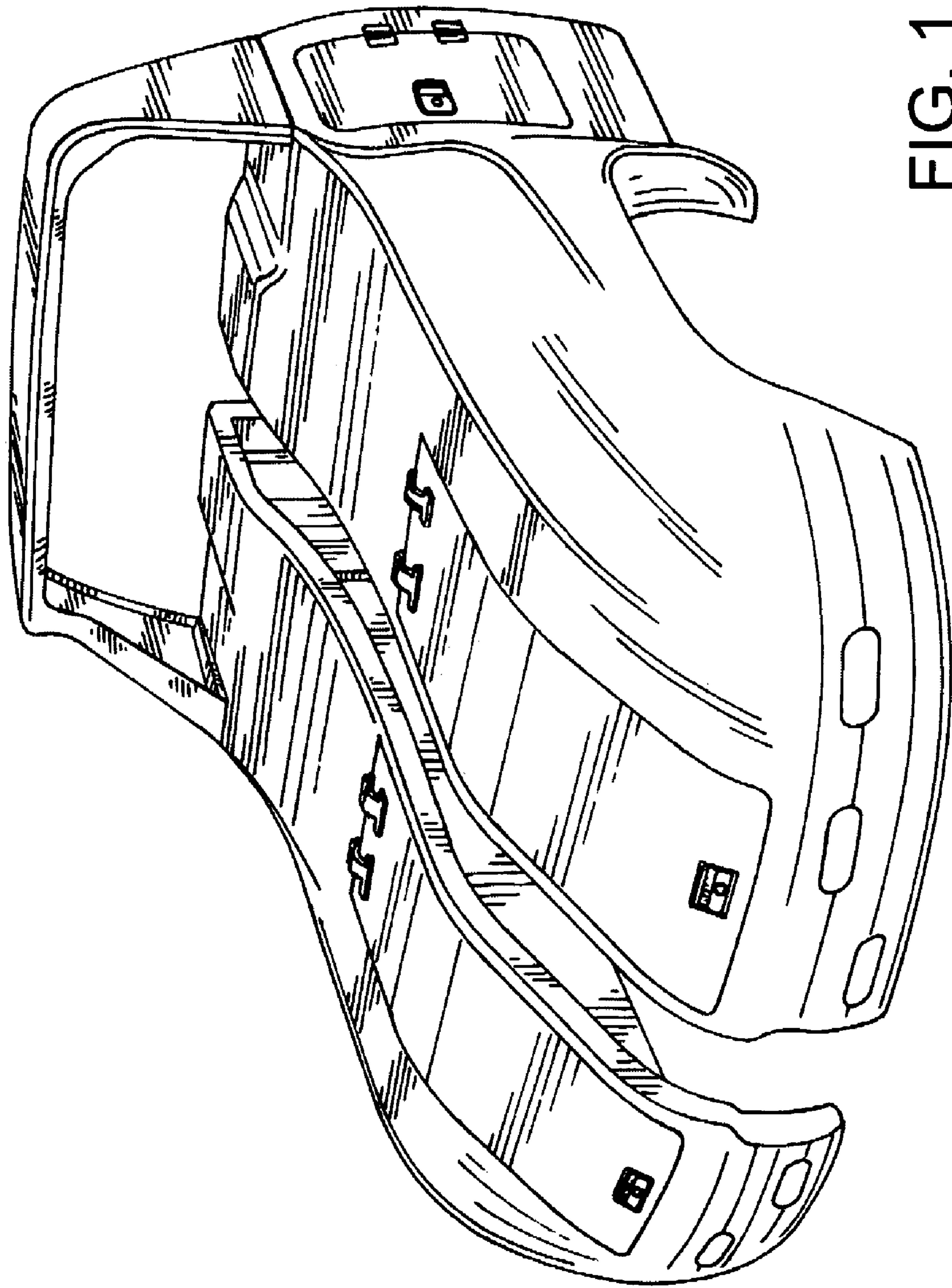


FIG. 1

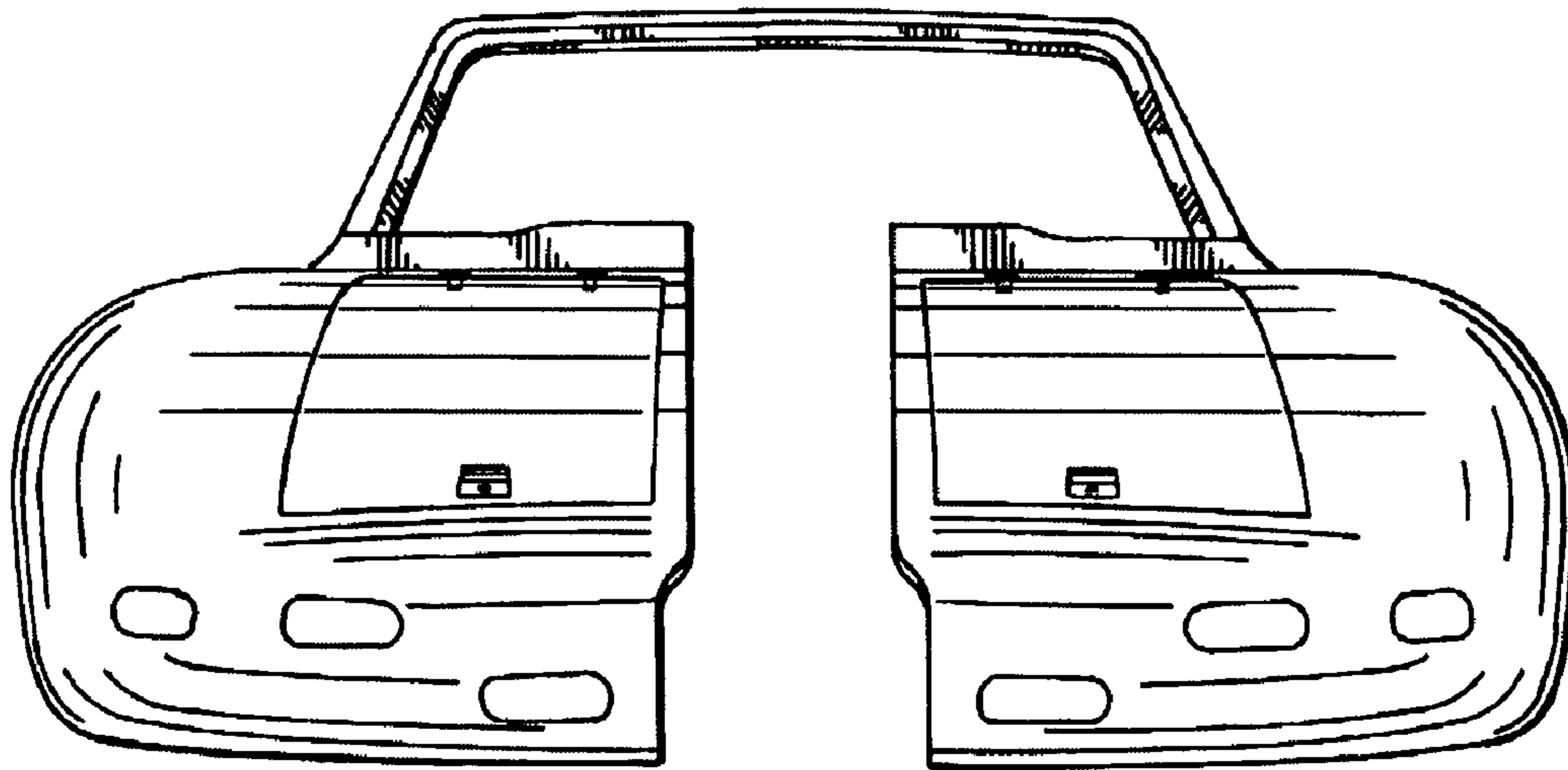


FIG. 2

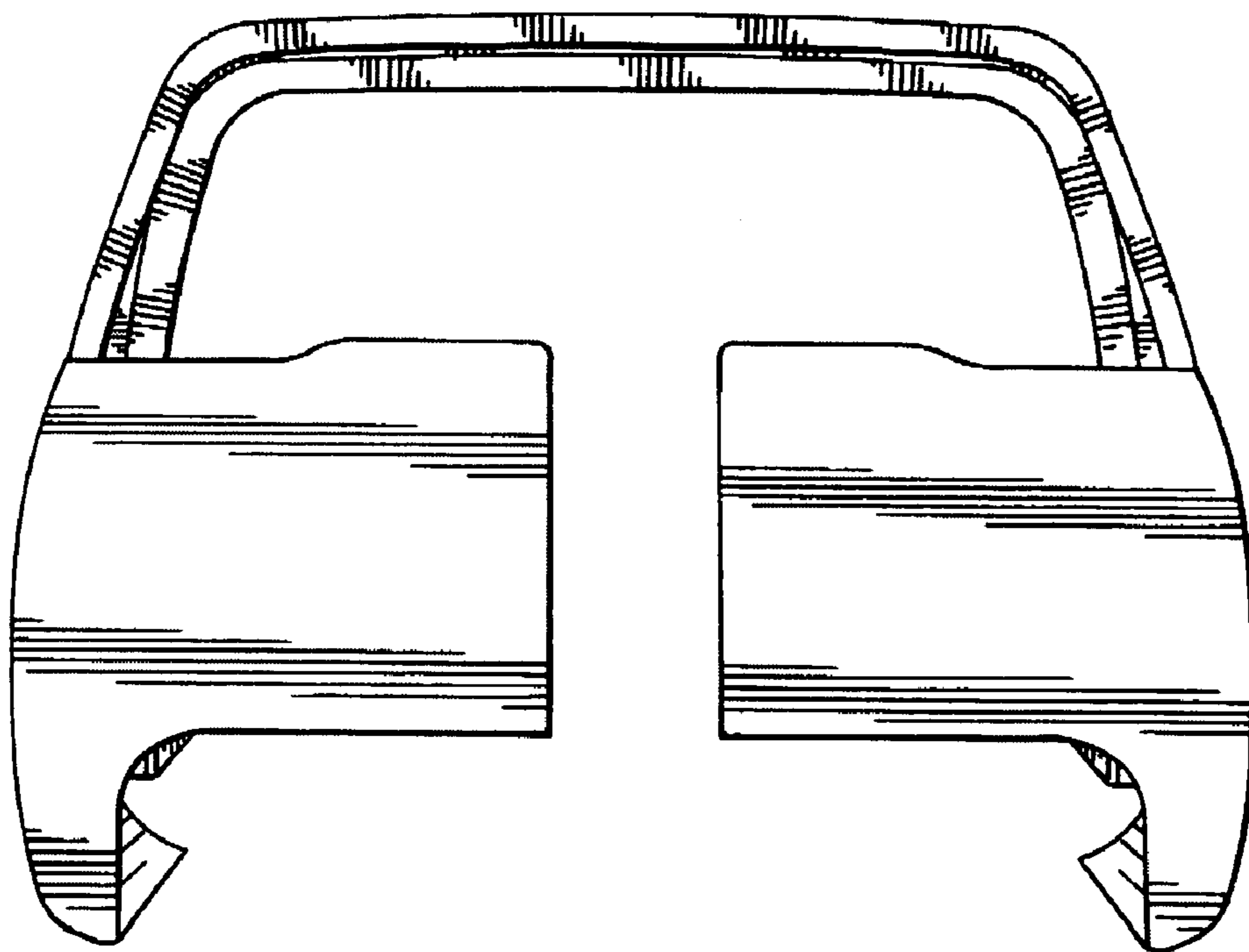


FIG. 3

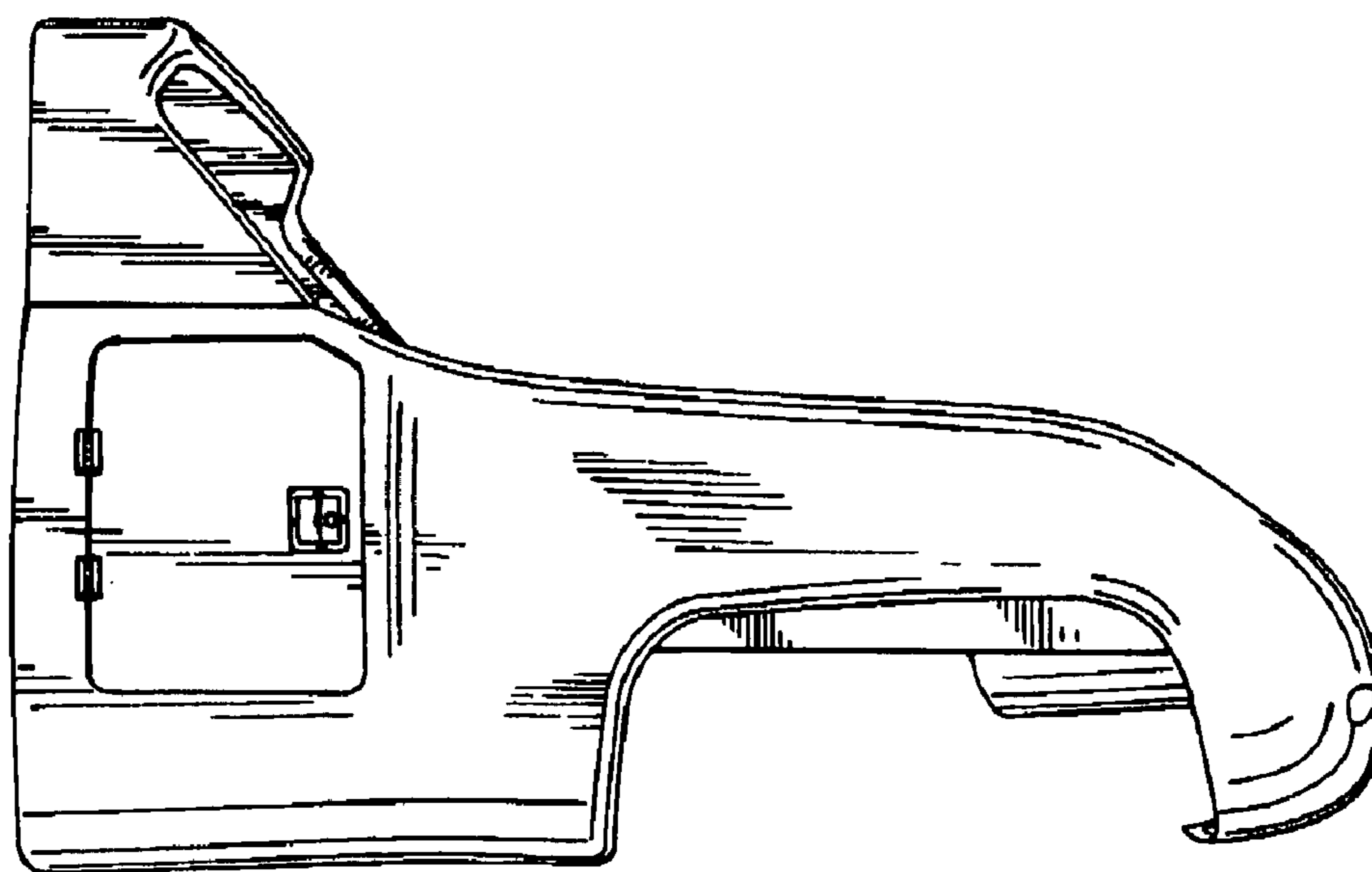


FIG. 4

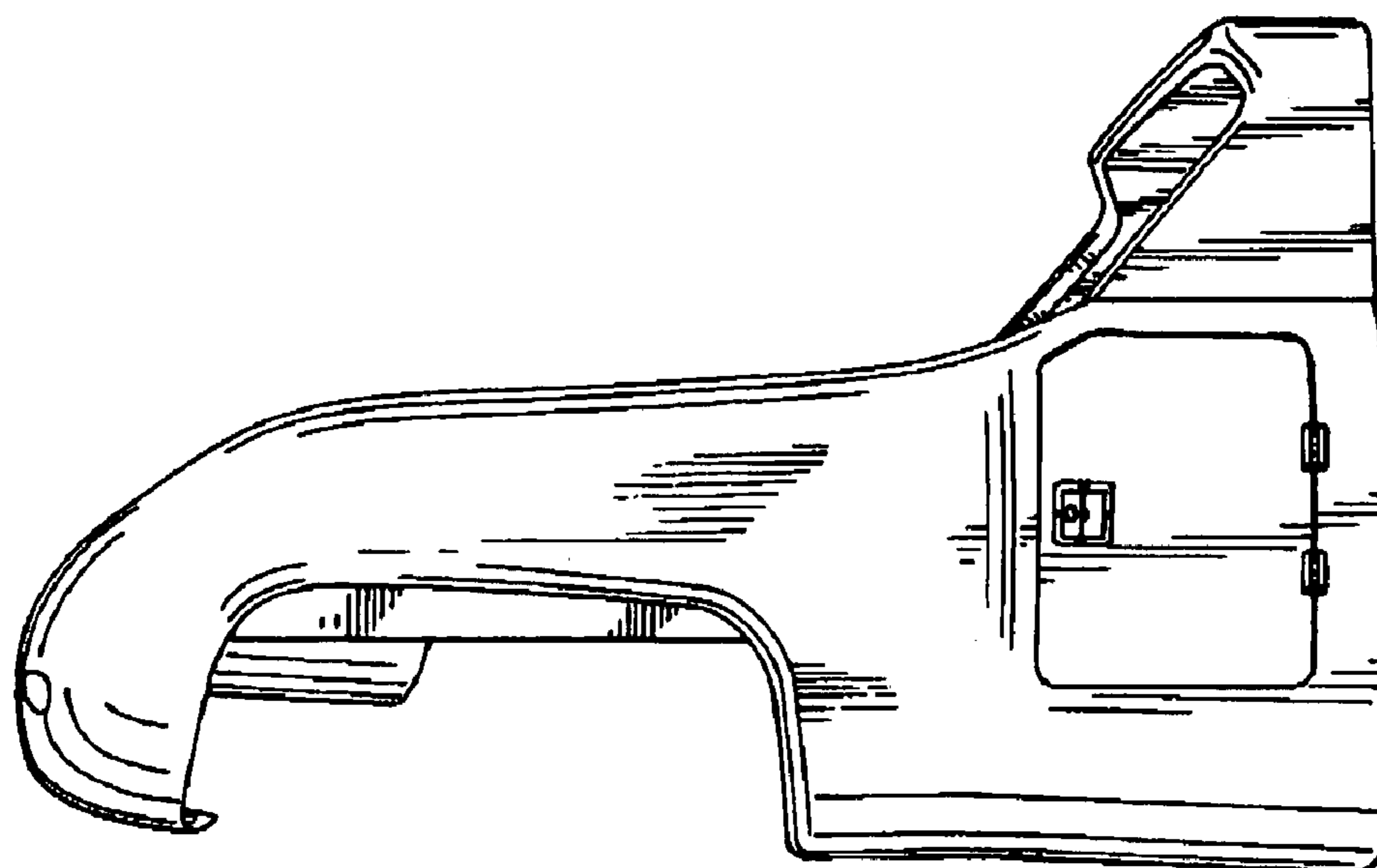


FIG. 5

FIG. 6

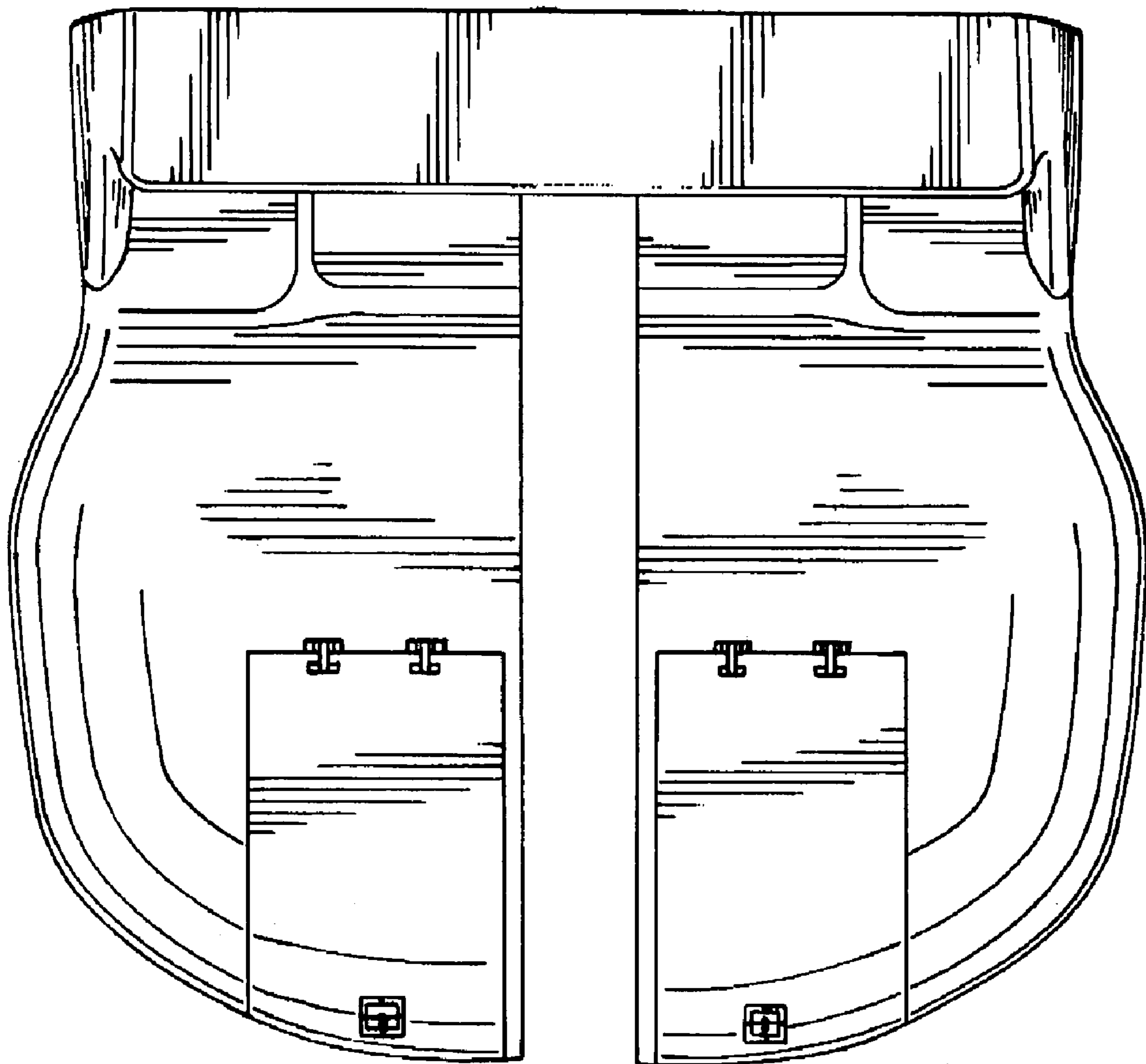
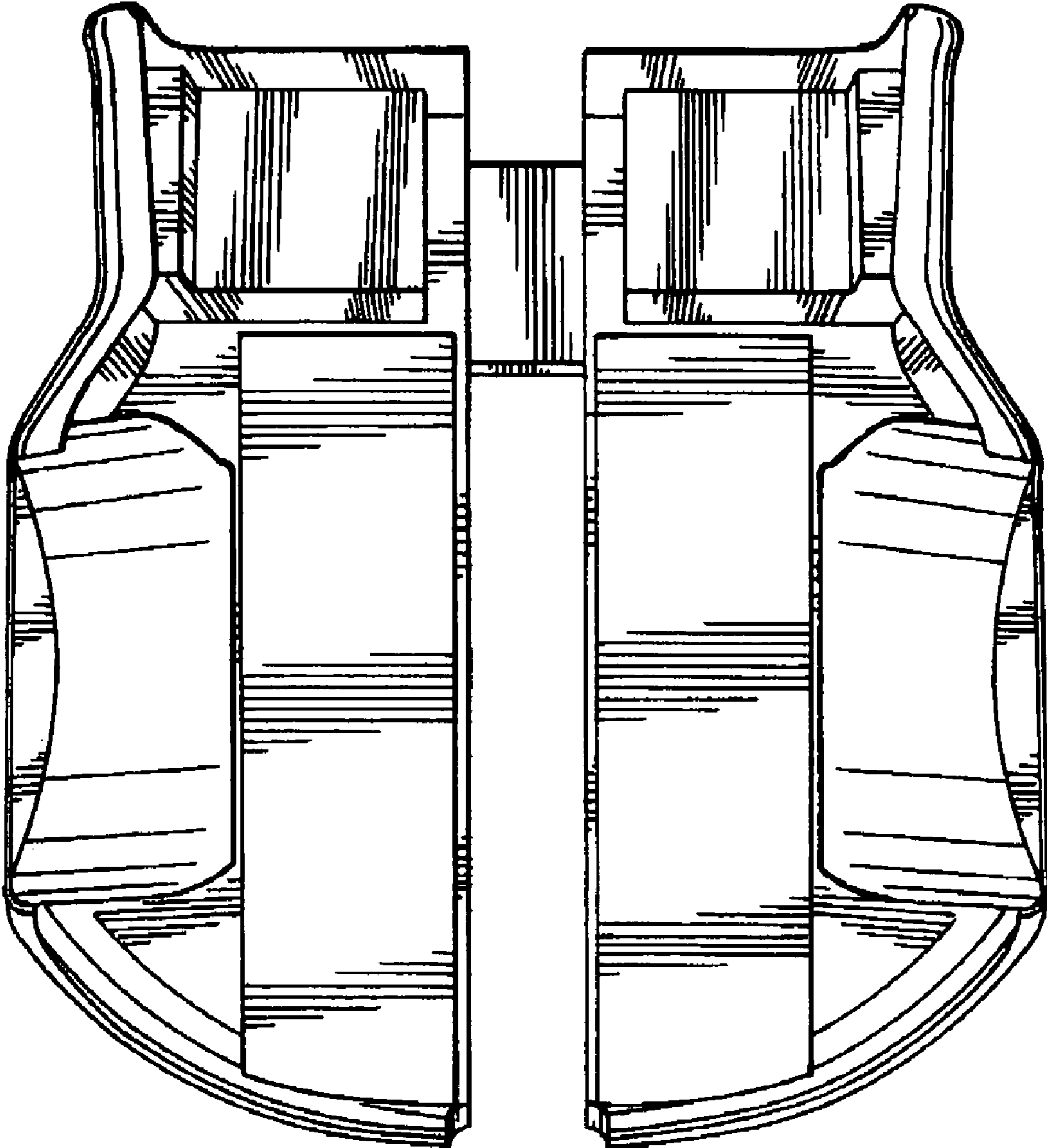


FIG. 7



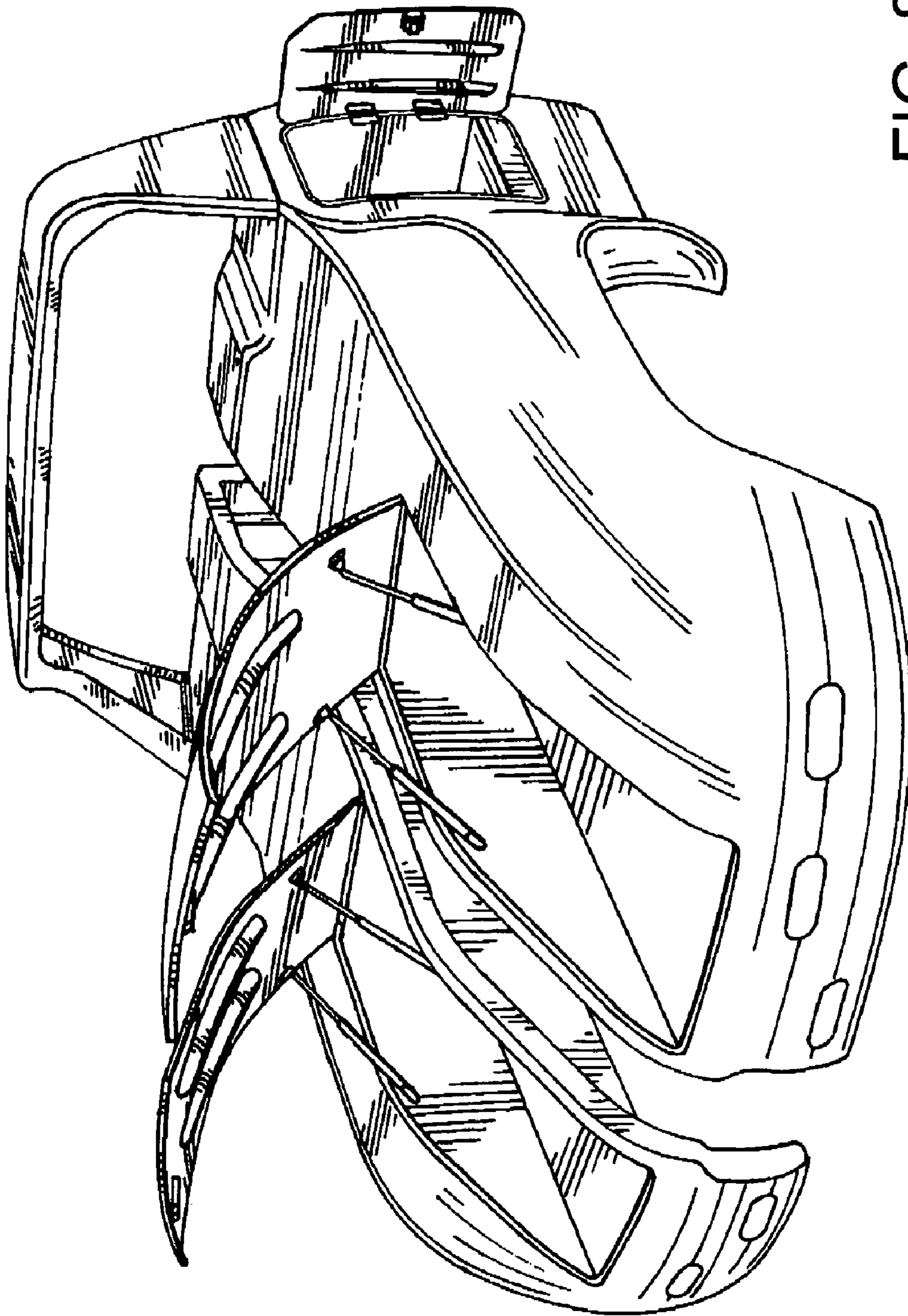


FIG. 8

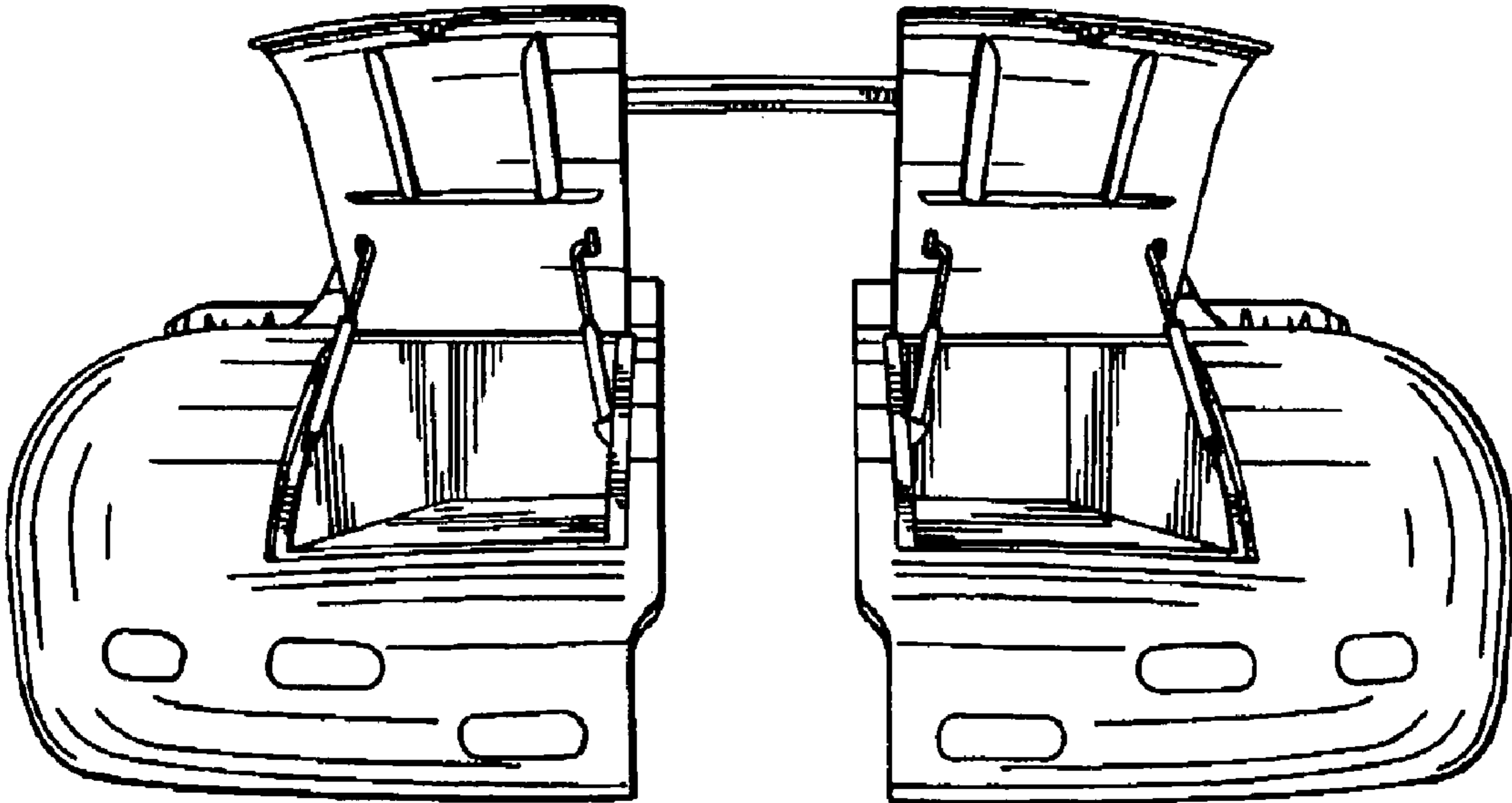


FIG. 9

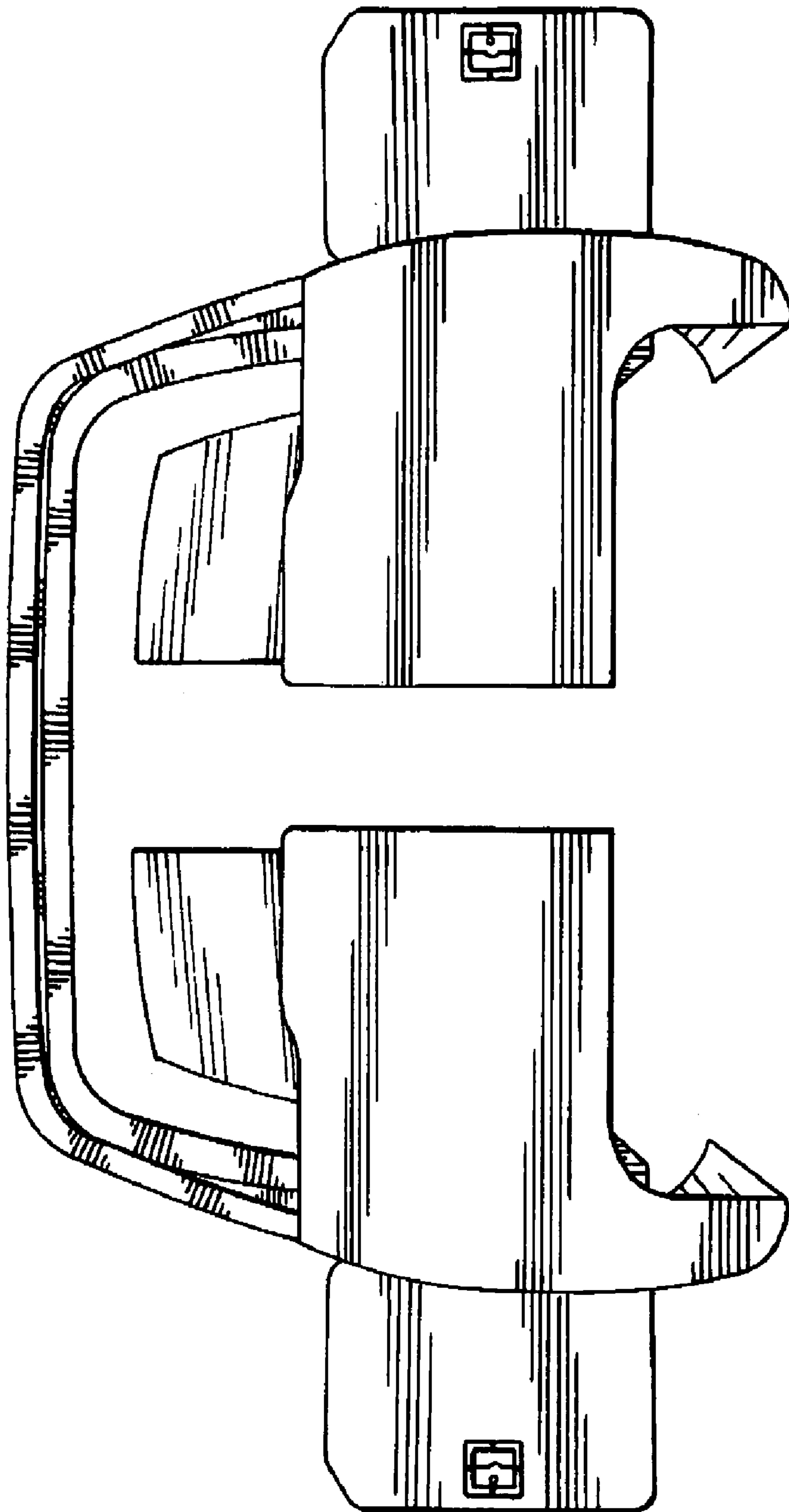


FIG. 10

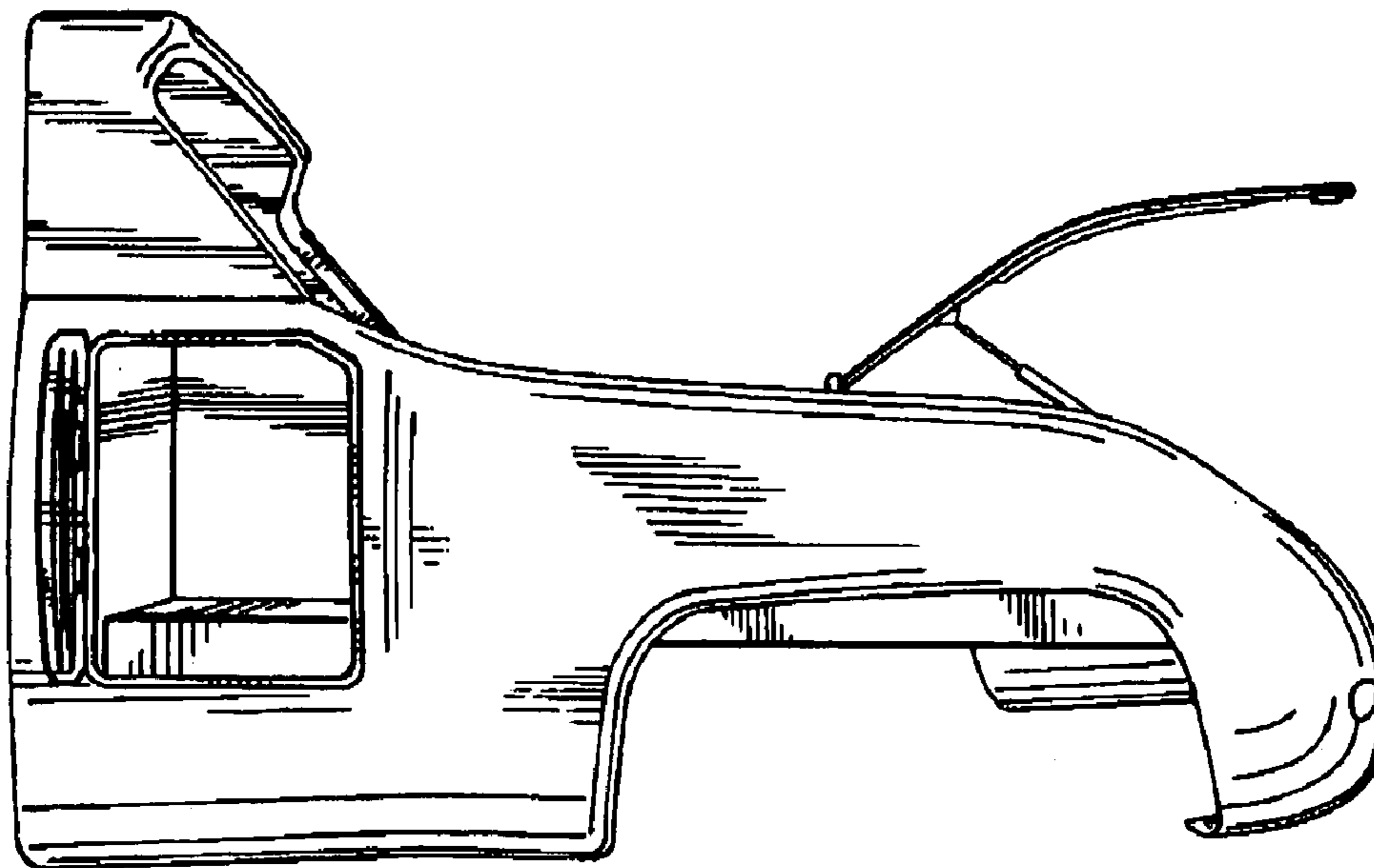


FIG. 11

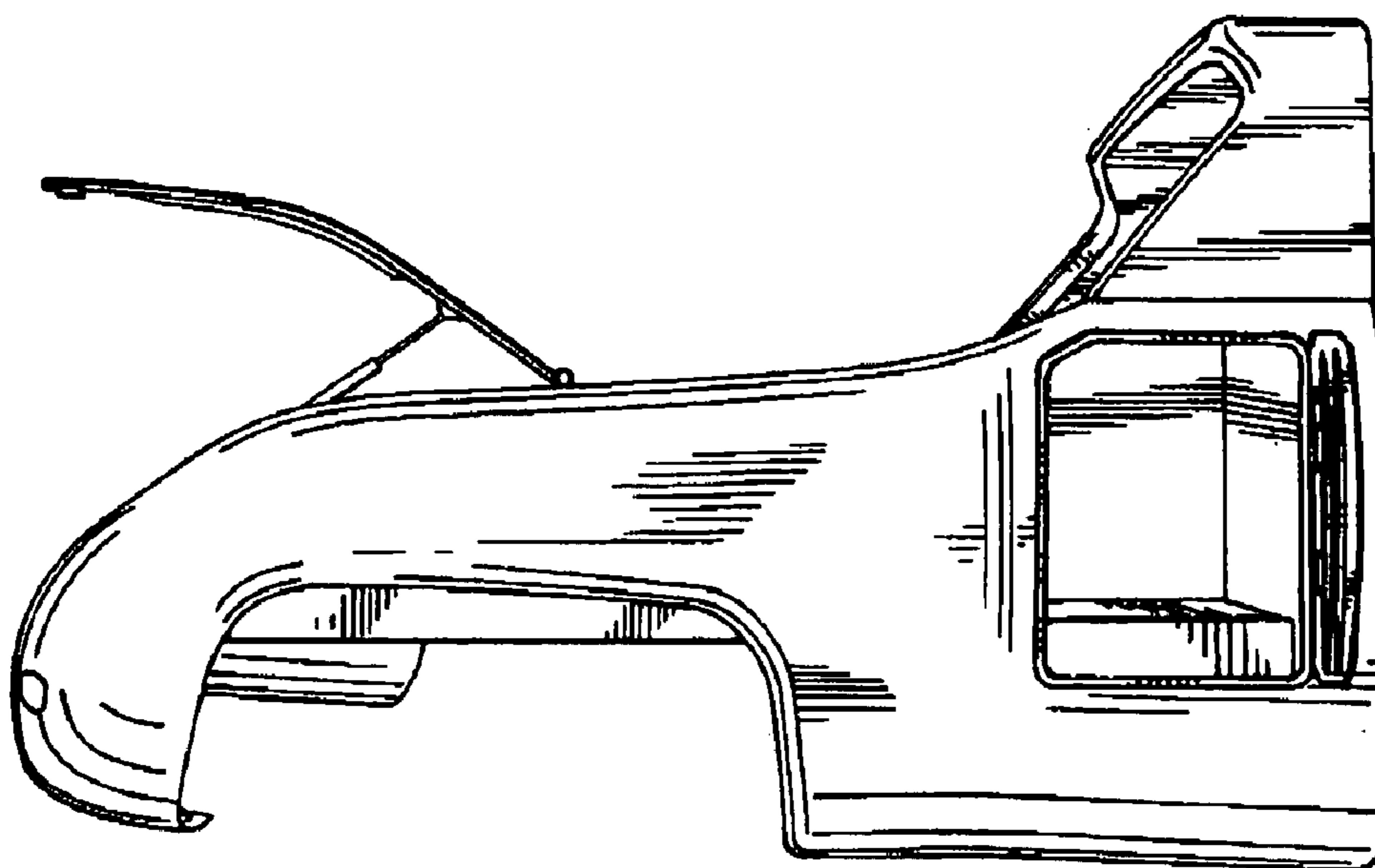


FIG. 12

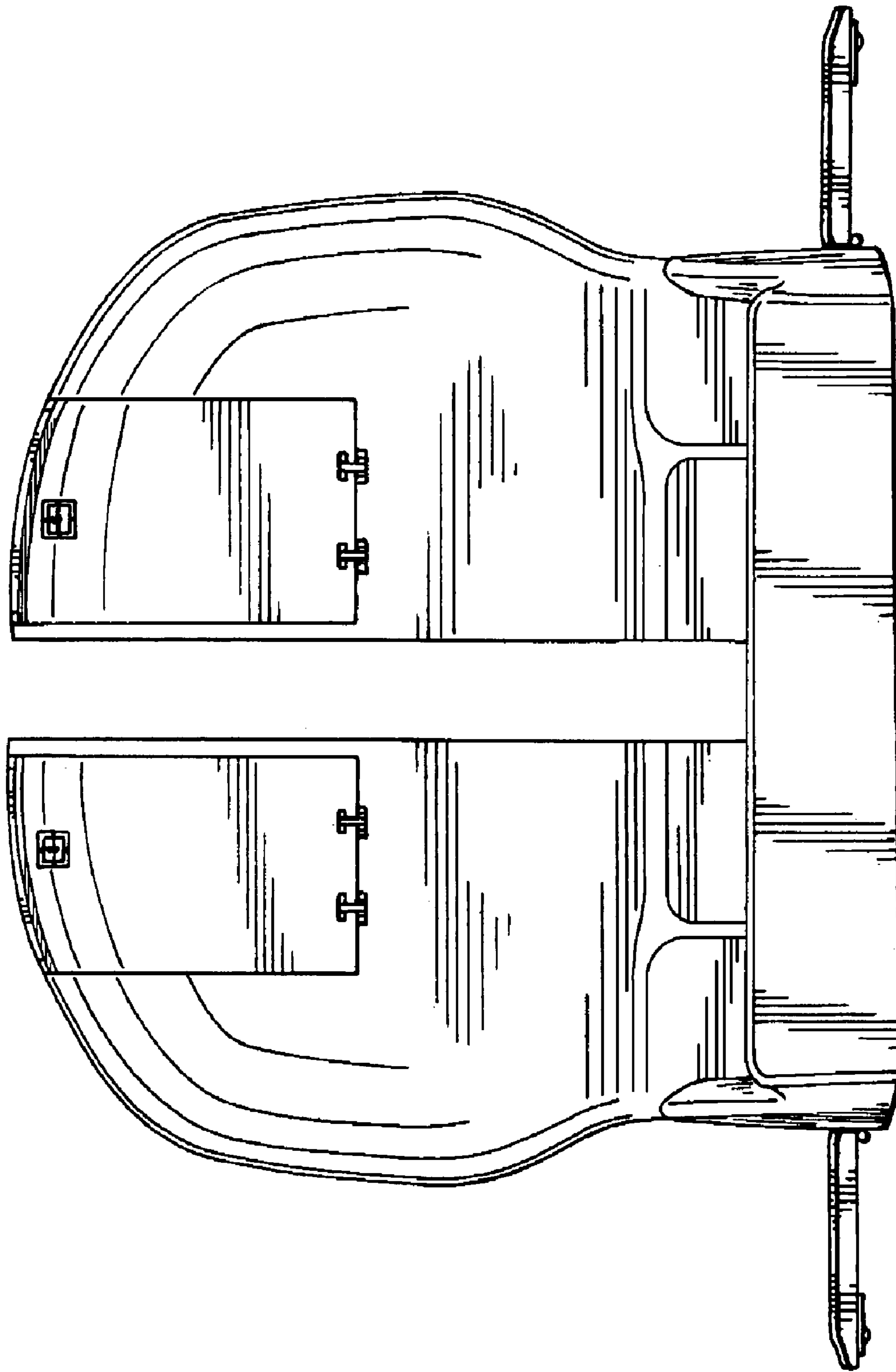


FIG. 13

FIG. 14

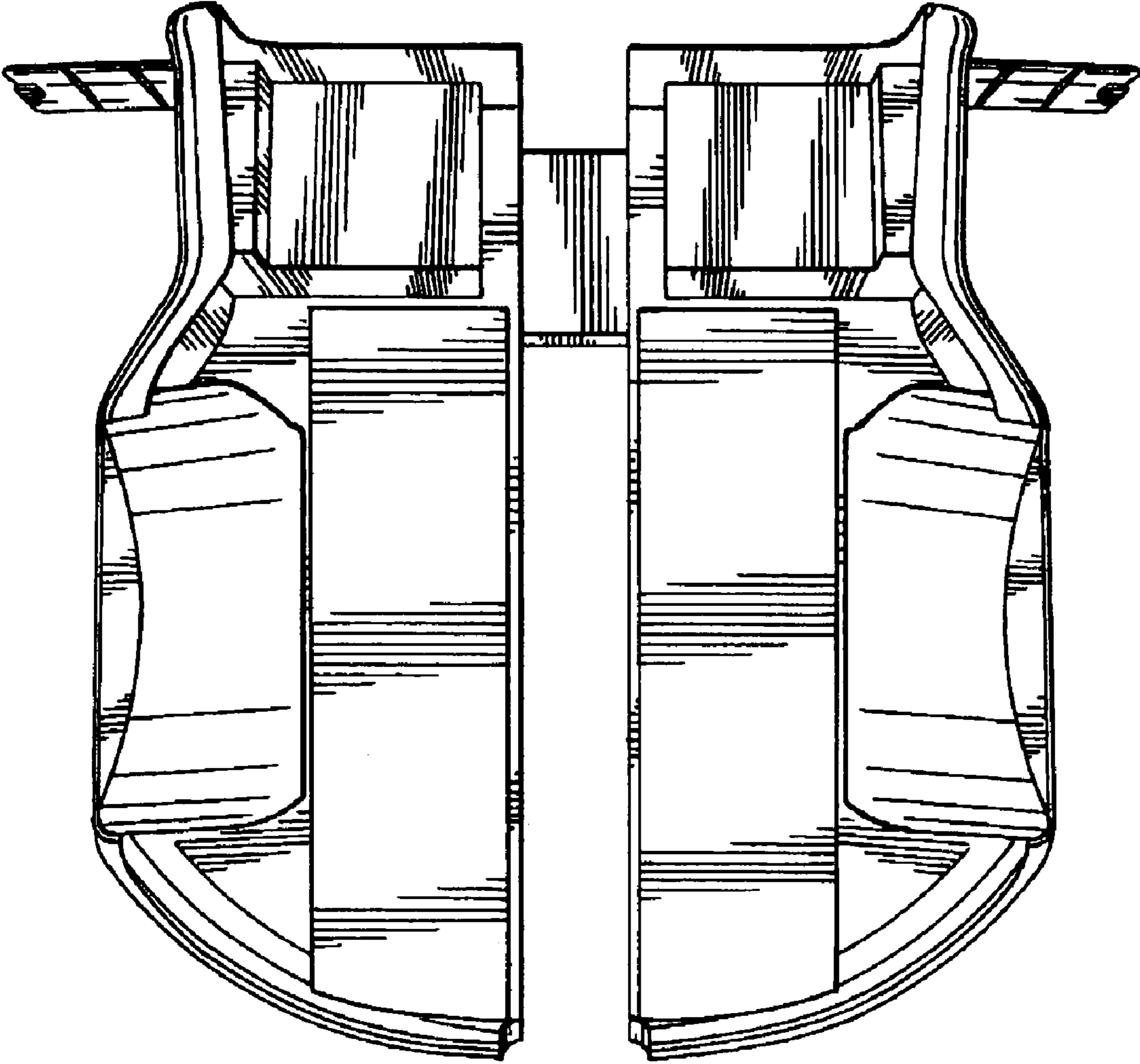
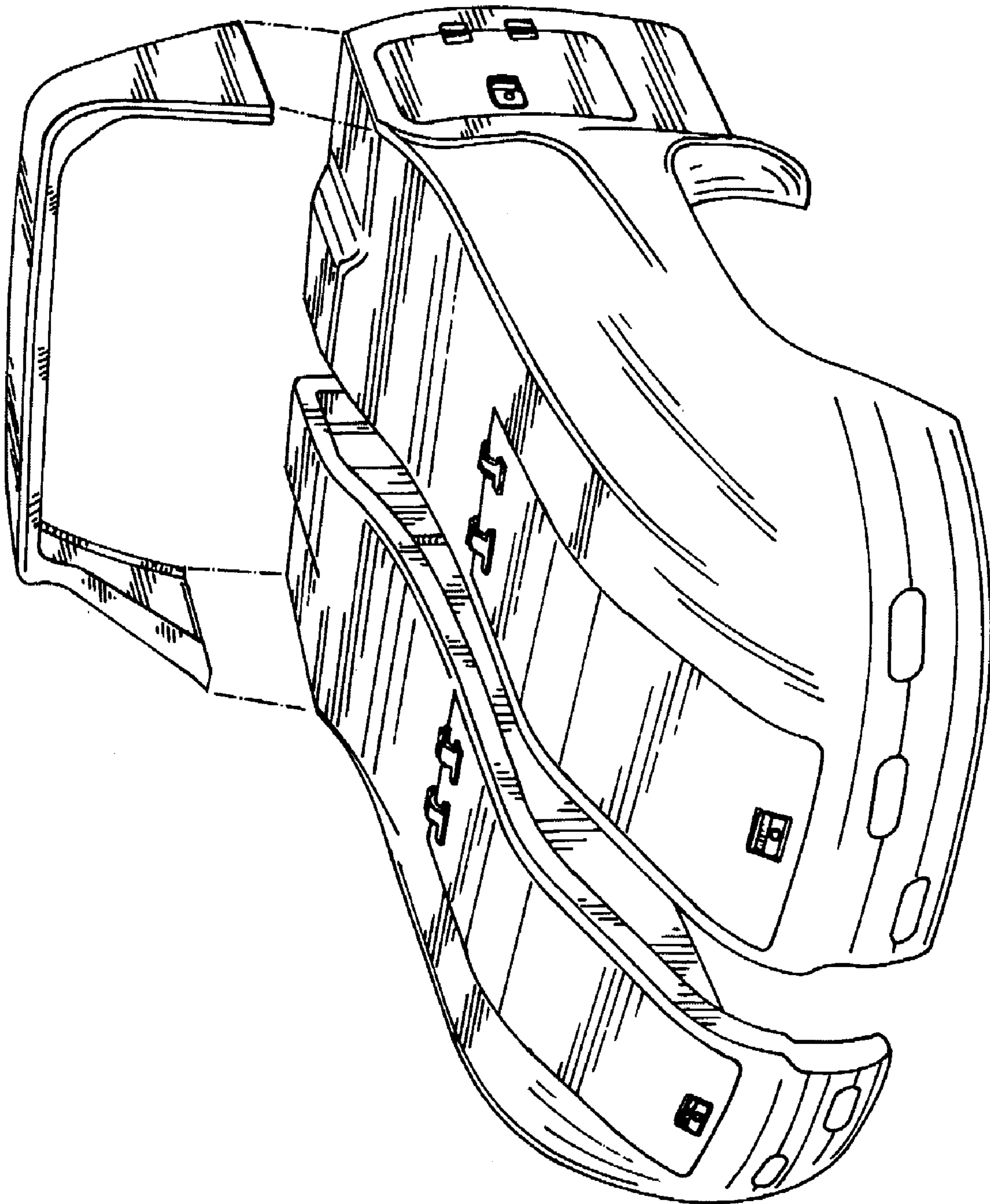


FIG. 15



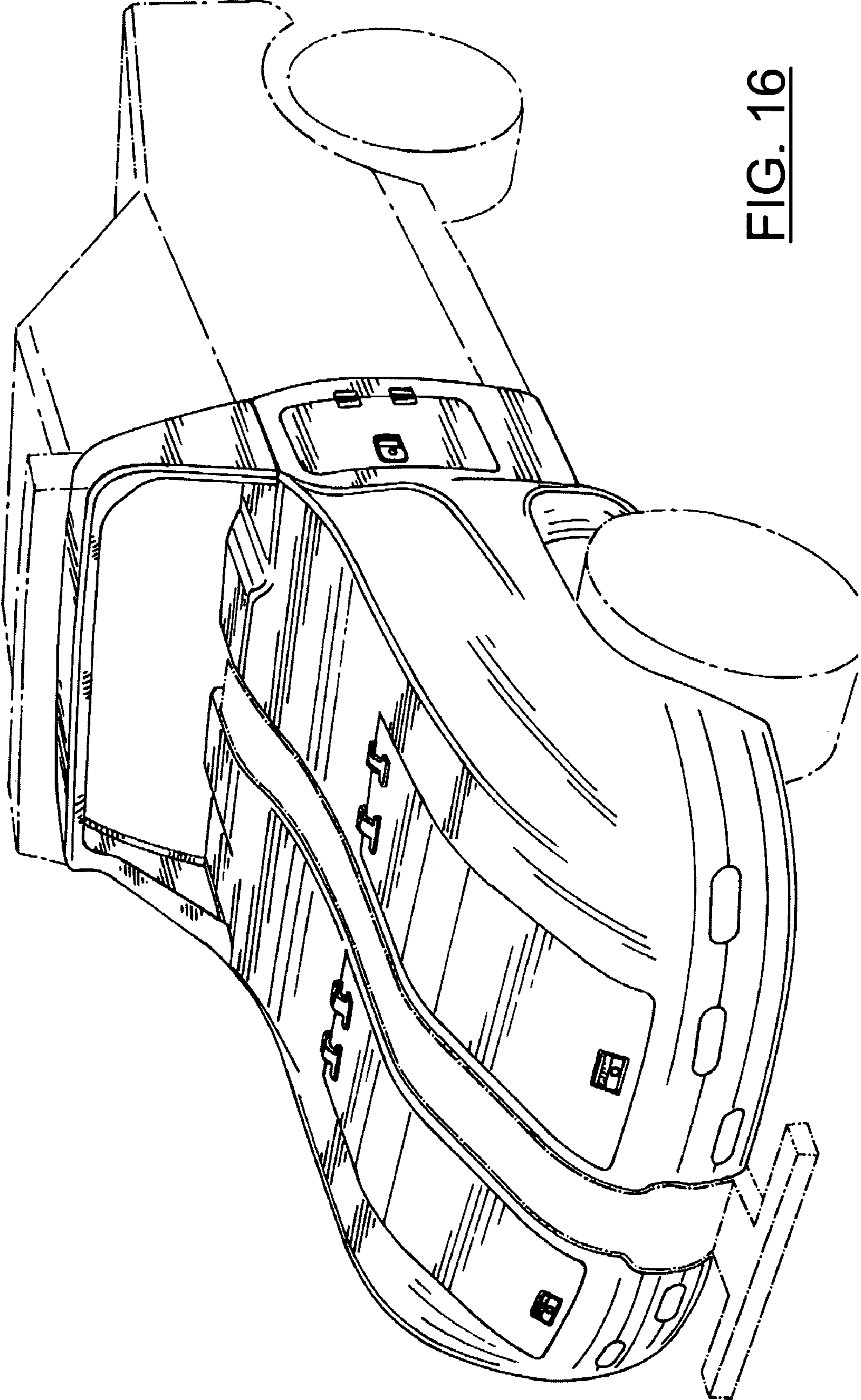


FIG. 16