



US00D557174S

(12) **United States Design Patent**
Aoyama

(10) **Patent No.:** **US D557,174 S**
(45) **Date of Patent:** **** Dec. 11, 2007**

(54) **PLANT POT**

JP D1112561 6/2001
JP D1151681 9/2002
JP D1243922 6/2005

(75) Inventor: **Matsuo Aoyama**, Chita-Gun (JP)

(73) Assignee: **Kaneya Co., Ltd.**, Chita-Gun (JP)

* cited by examiner

(**) Term: **14 Years**

Primary Examiner—Robert M. Spear
Assistant Examiner—Garth Rademaker

(21) Appl. No.: **29/261,466**

(74) *Attorney, Agent, or Firm*—Burr & Brown

(22) Filed: **Jun. 14, 2006**

(57) **CLAIM**

(51) **LOC (8) Cl.** **11-02**

The ornamental design for a plant pot, as shown and described.

(52) **U.S. Cl.** **D11/152**

(58) **Field of Classification Search** D6/556–558;
D7/516, 517, 520, 562; D11/142–156; D19/75,
D19/77, 80–82, 84; D26/9, 16; 47/33, 39,
47/41.01, 41.1, 41.11–41.13, 41.15, 65.5,
47/66.1, 66.6, 66.7, 67–71

See application file for complete search history.

DESCRIPTION

FIG. 1 is a front view of a plant pot illustrating my new design;

(56) **References Cited**

U.S. PATENT DOCUMENTS

D187,807 S * 5/1960 Manfredi D11/155
D283,992 S * 5/1986 Tendrup et al. D11/148
D327,555 S * 6/1992 Juergens D34/1
6,625,929 B1 * 9/2003 Lawson et al. 47/66.1
D489,286 S * 5/2004 Rogers D11/143
2007/0119097 A1 * 5/2007 Brandstatter 47/65.5

FIG. 2 is a left side view thereof;

FIG. 3 is a top plan view thereof;

FIG. 4 is a bottom plan view thereof;

FIG. 5 is a cross-section view thereof, taken in the direction of line 5–5 of FIG. 2;

FIG. 6 is a cross-section view thereof, taken in the direction of line 6–6 of FIG. 3;

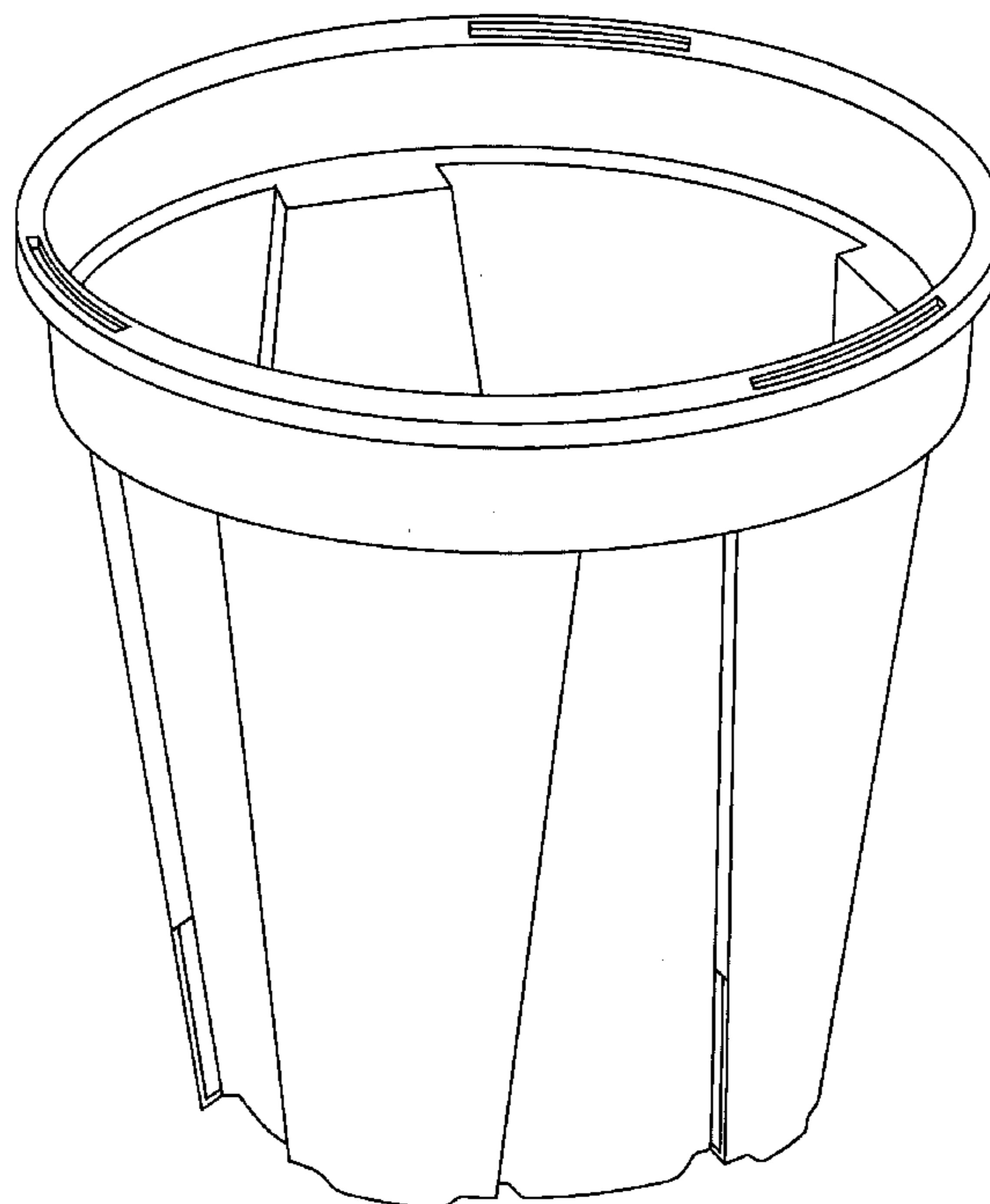
FIG. 7 is a cross-section view thereof, taken in the direction of line 7–7 of FIG. 1; and,

FIG. 8 is a perspective view thereof.

FOREIGN PATENT DOCUMENTS

JP D1080093 7/2000

1 Claim, 8 Drawing Sheets



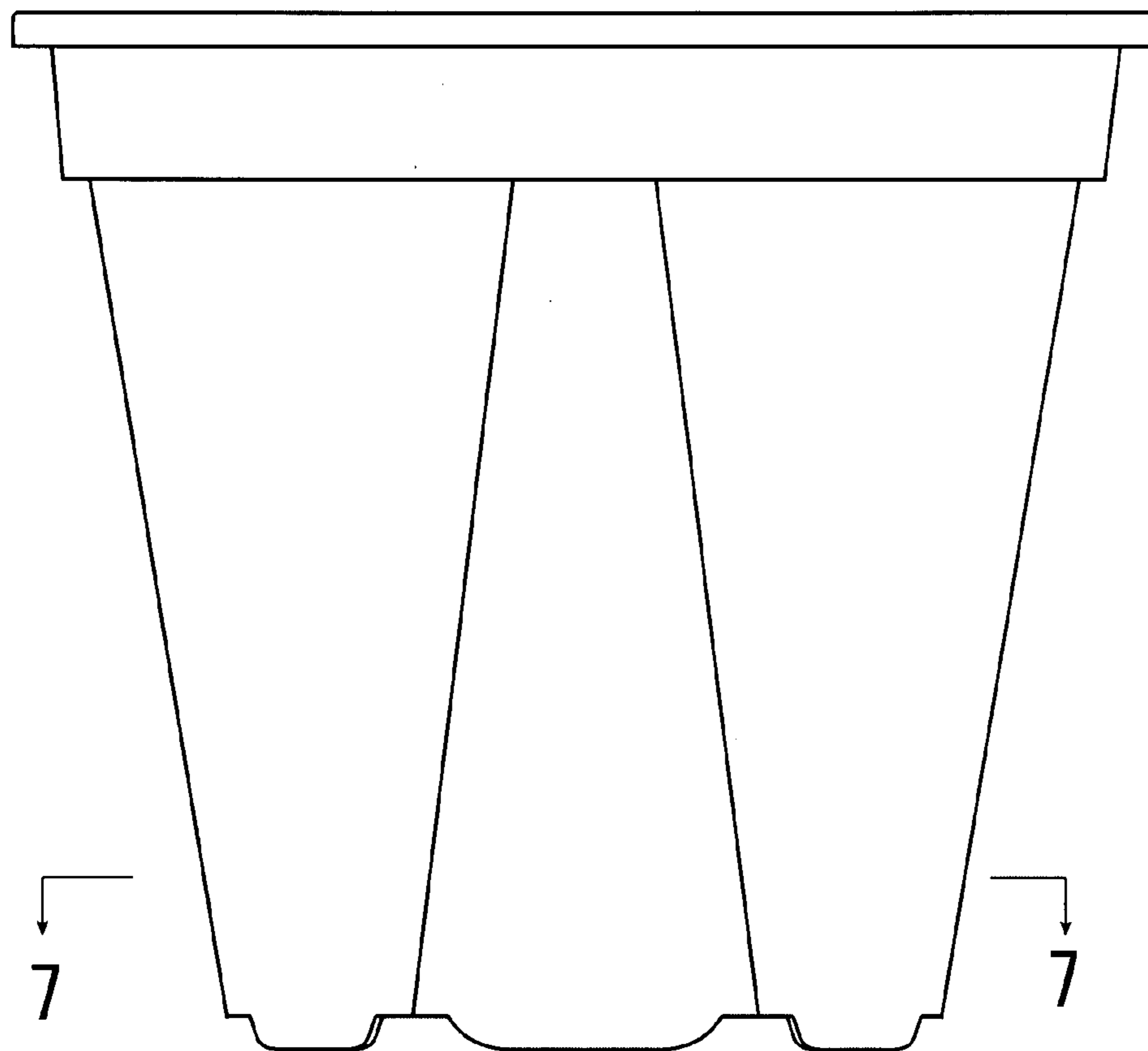


Fig. 1

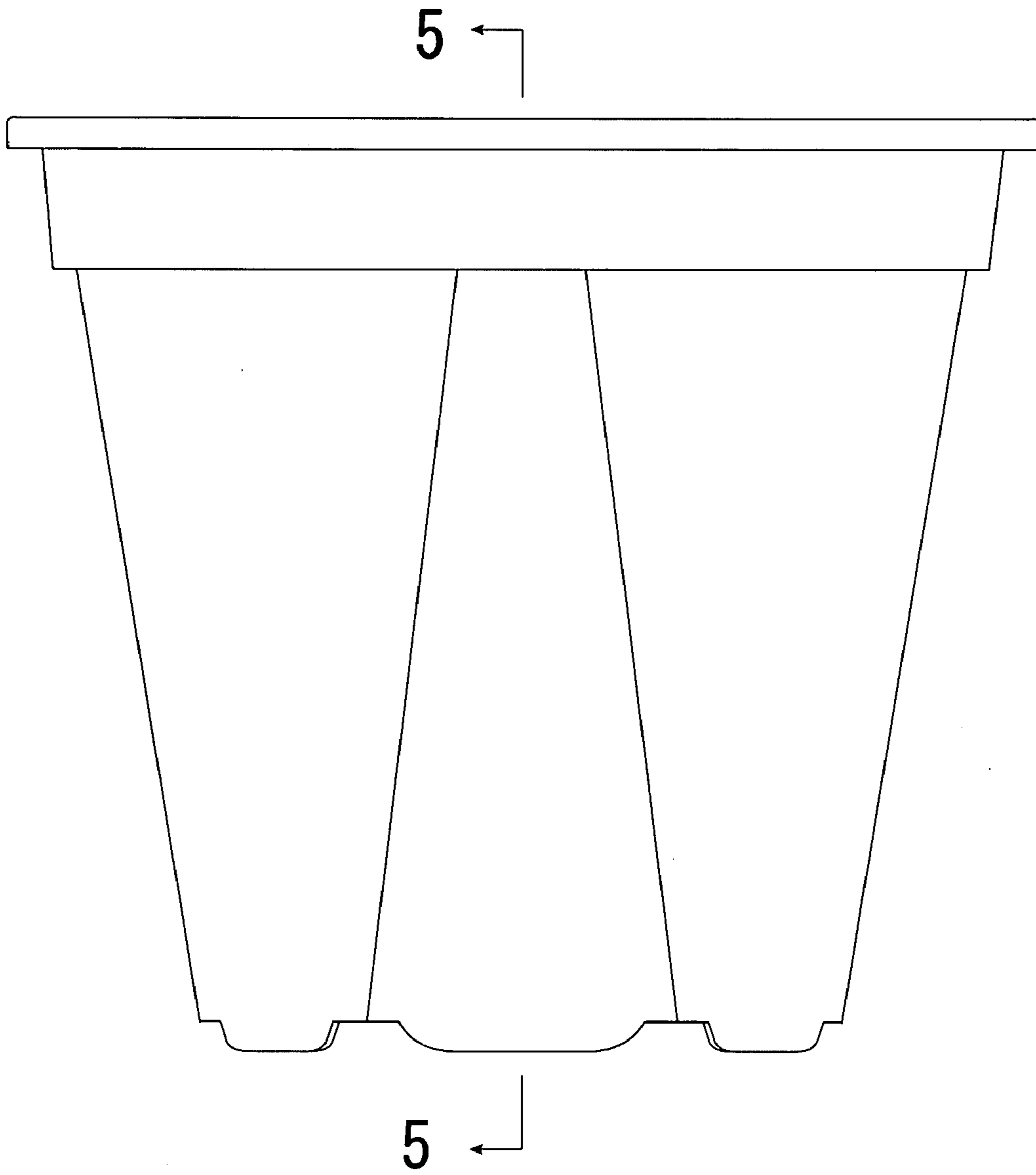


Fig. 2

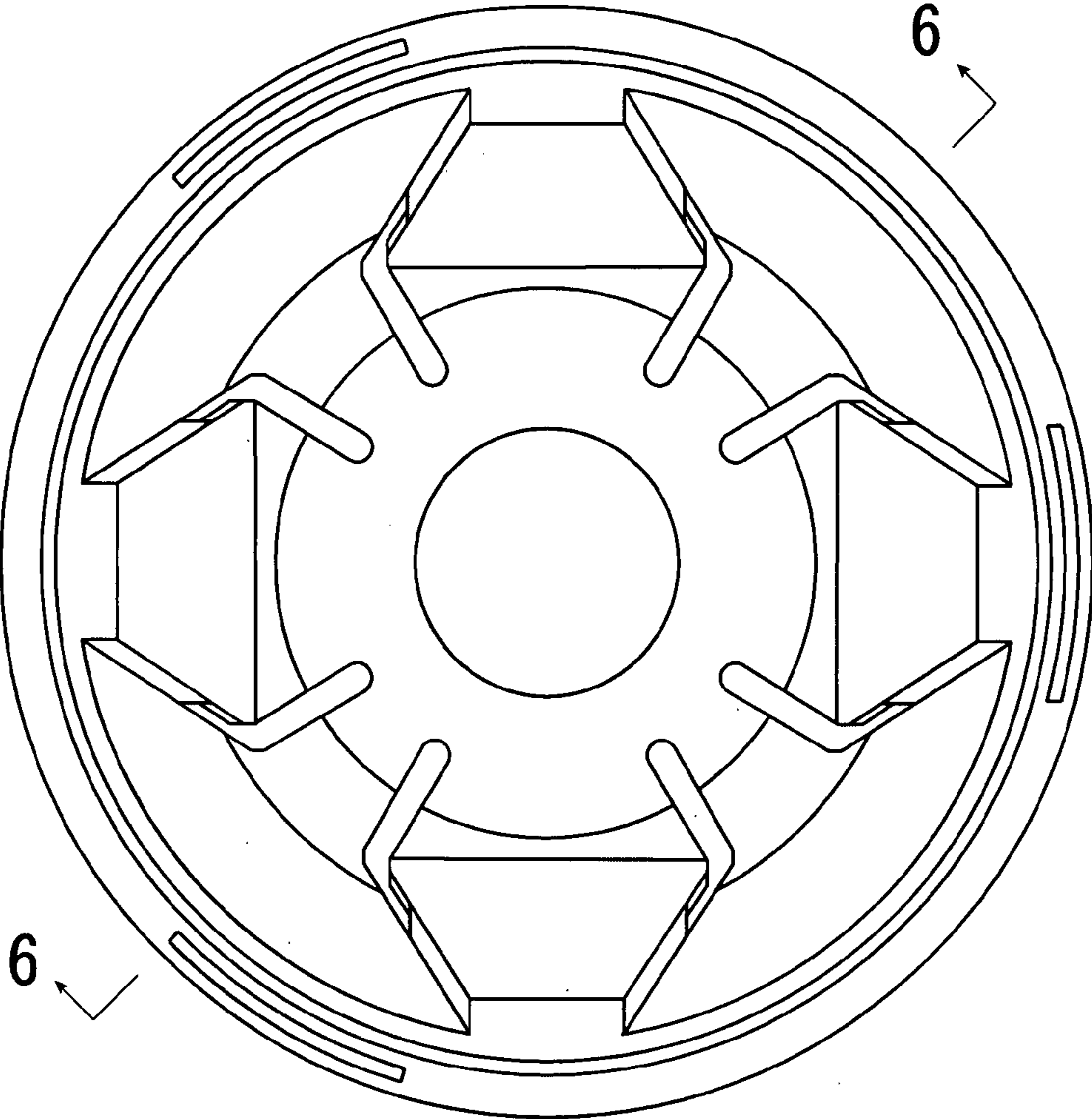


Fig. 3

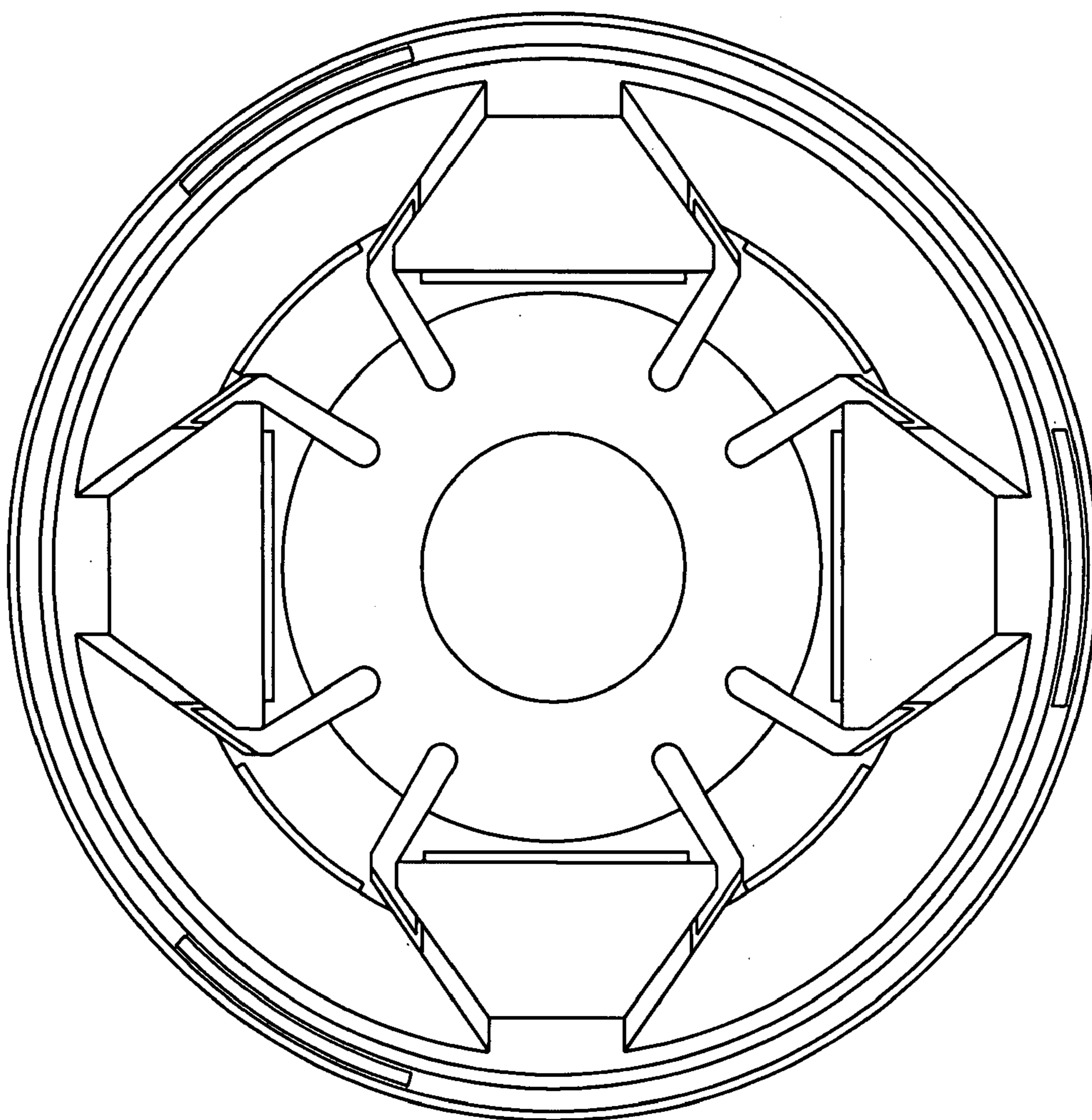


Fig. 4

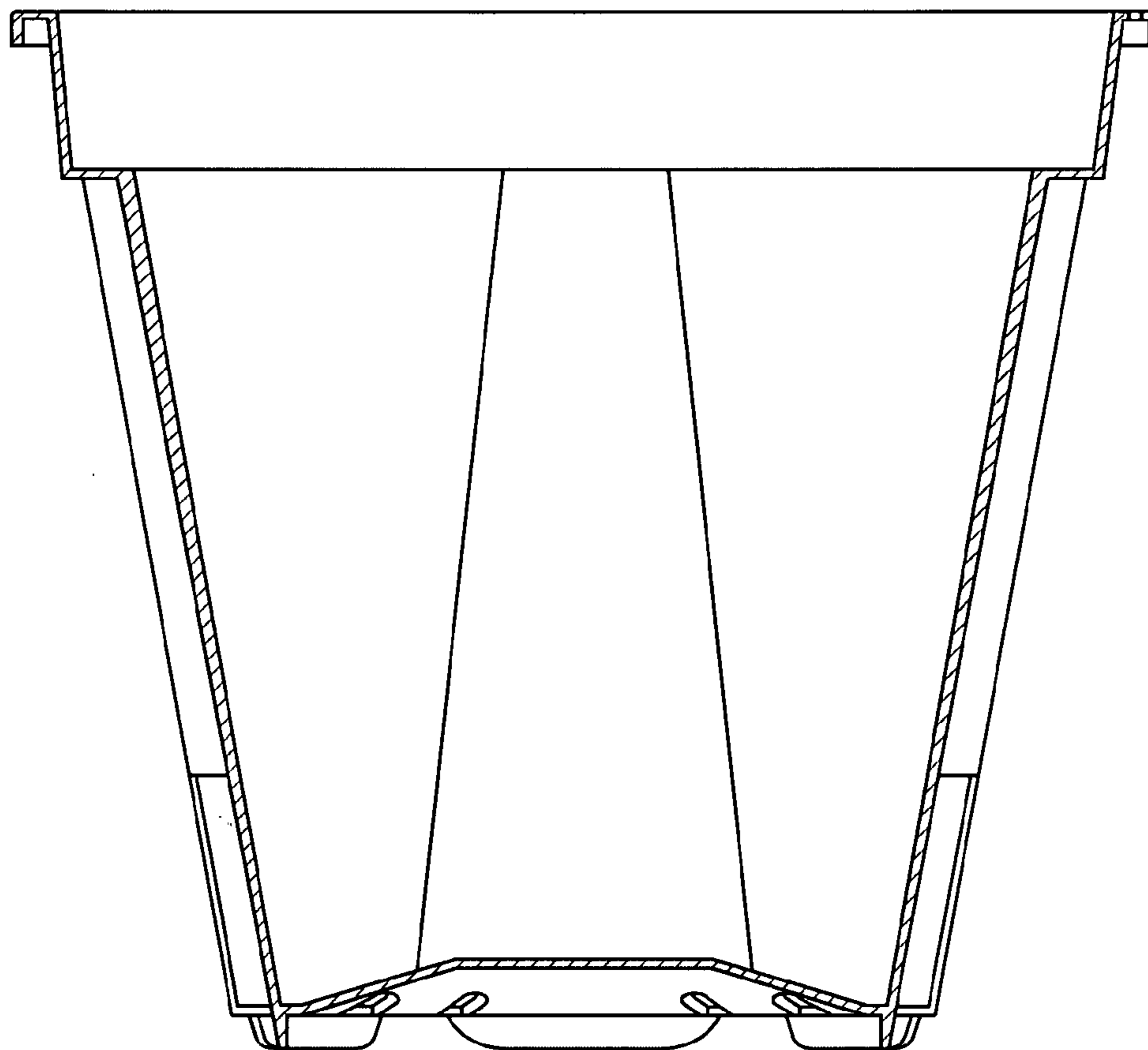


Fig. 5

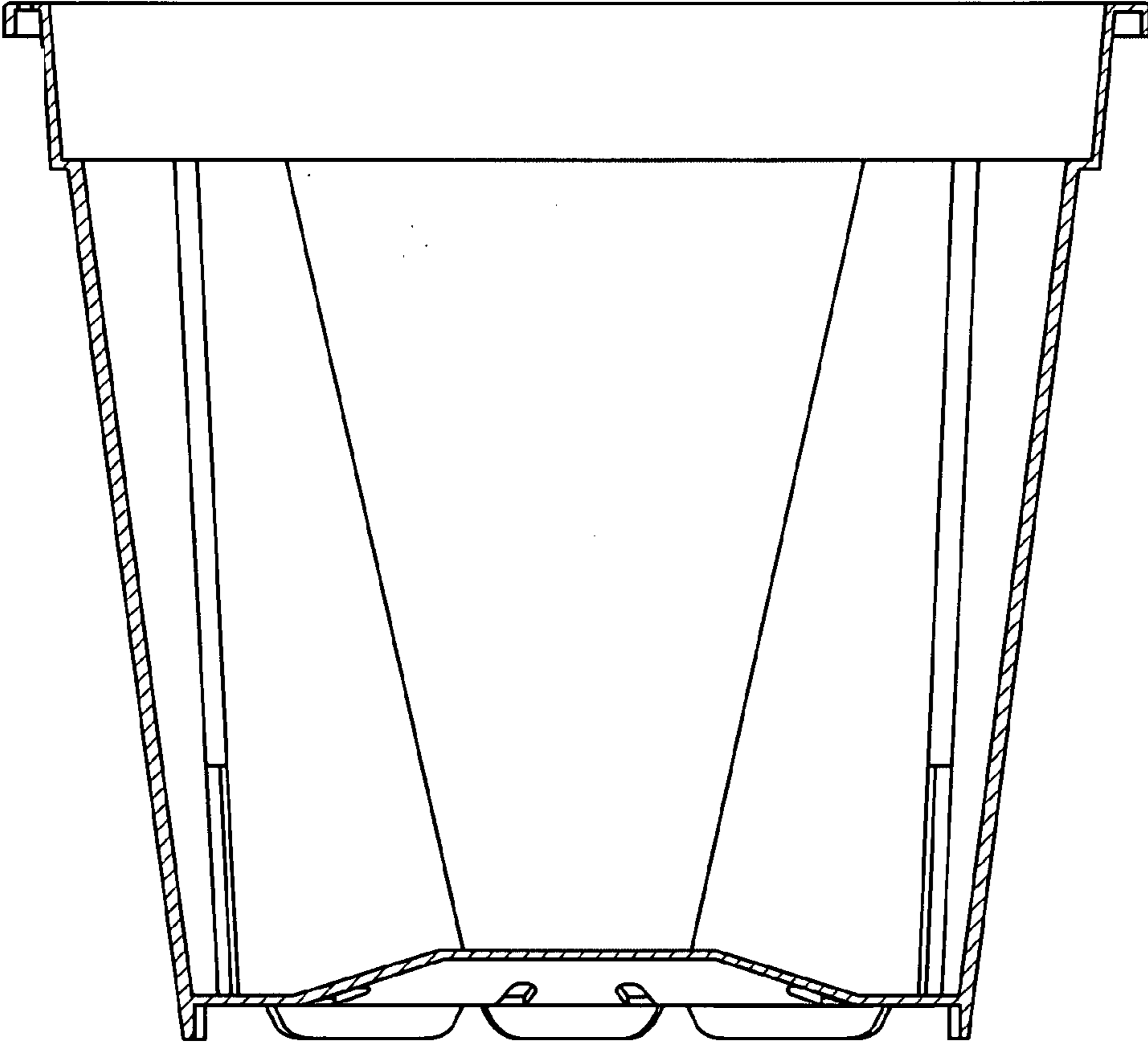


Fig. 6

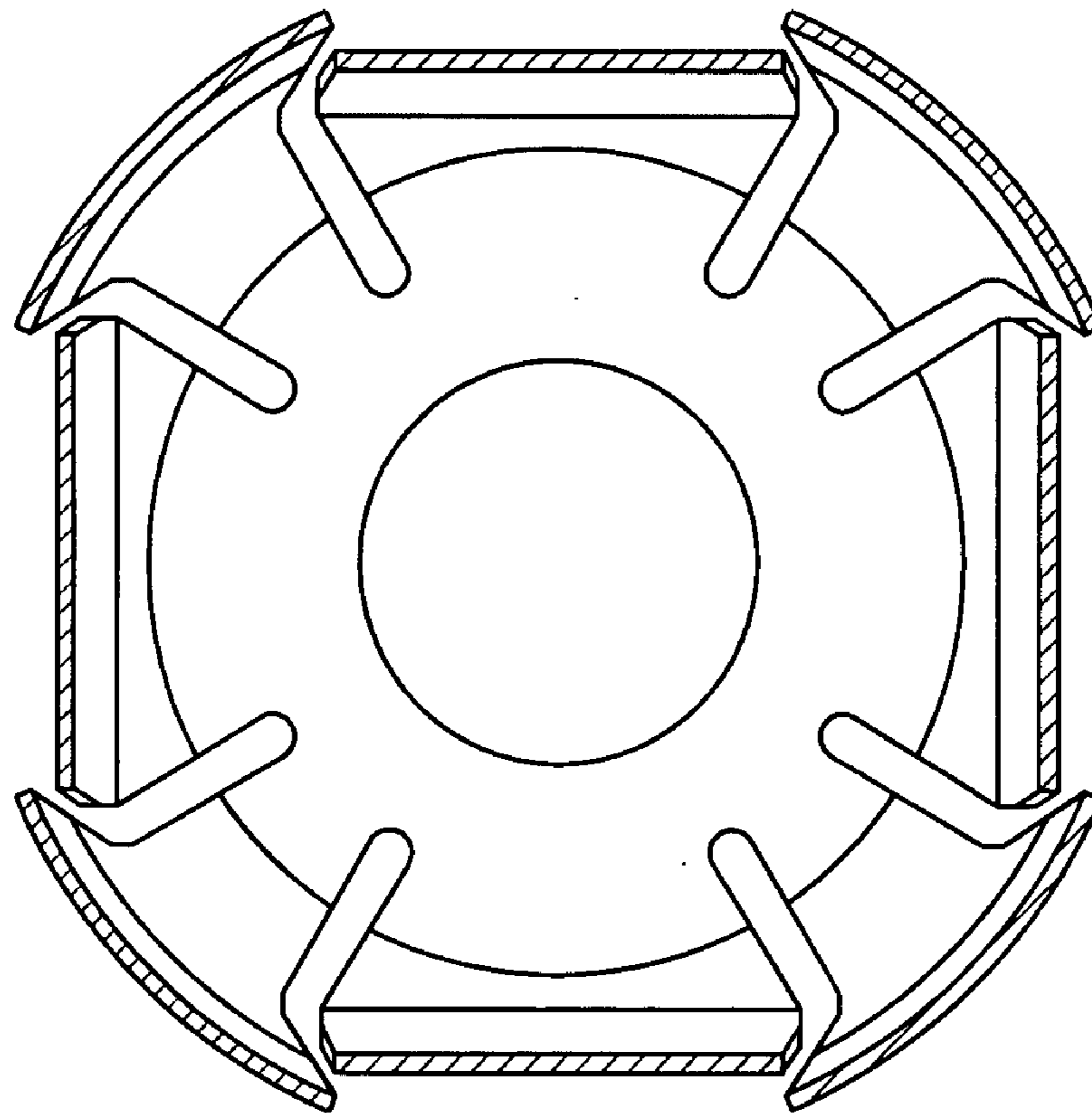


Fig. 7

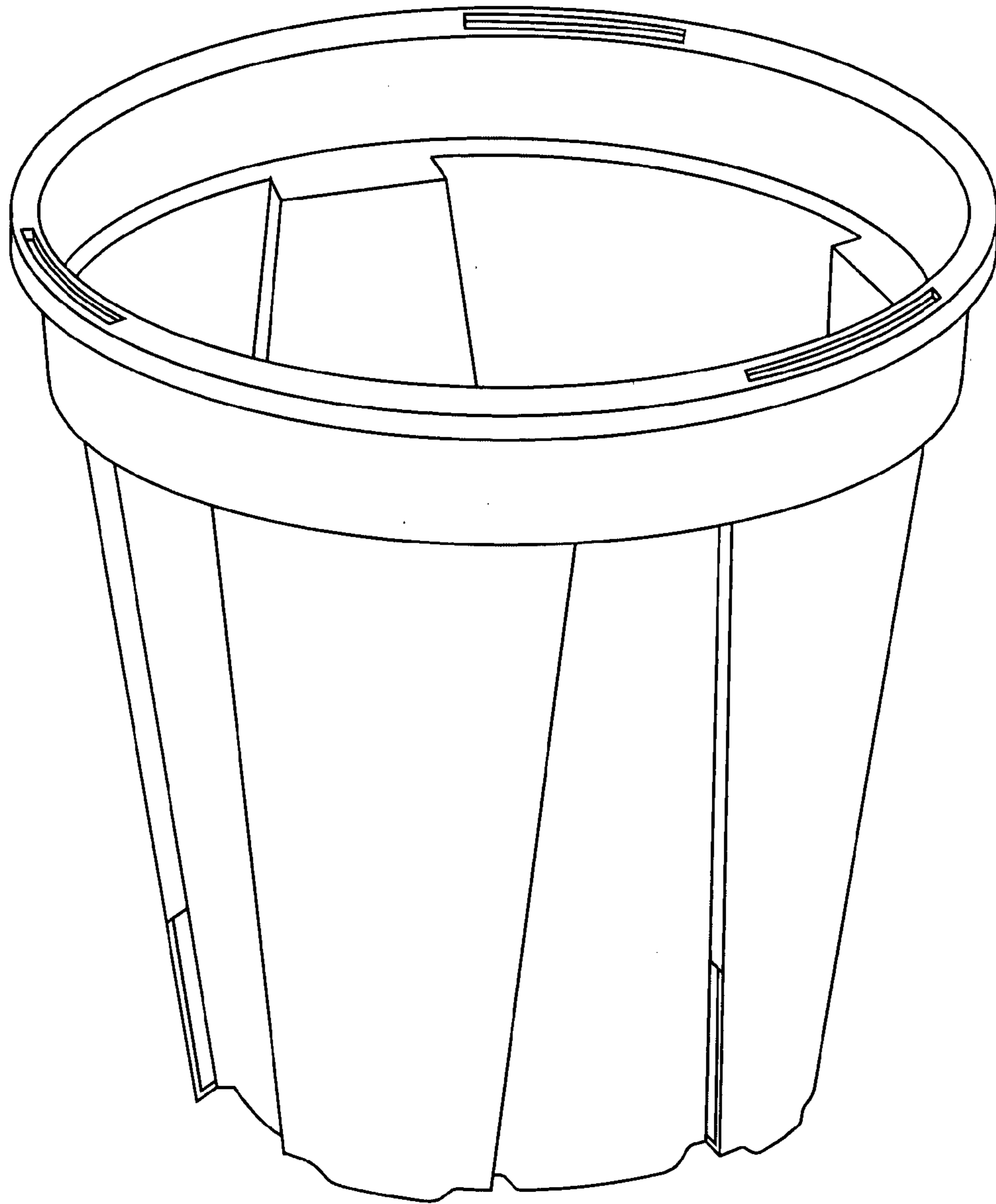


Fig. 8