



US00D557170S

(12) **United States Design Patent**
Hardy

(10) **Patent No.:** **US D557,170 S**

(45) **Date of Patent:** **** Dec. 11, 2007**

(54) **RING**

D491,834 S * 6/2004 Flynn D11/26
D524,185 S * 7/2006 Arlanda D11/38
D534,829 S * 1/2007 Arlanda D11/38

(75) Inventor: **Pierre Hardy**, Paris (FR)

(73) Assignee: **Hermes Sellier**, Paris (FR)

(**) Term: **14 Years**

(21) Appl. No.: **29/250,041**

(22) Filed: **Oct. 31, 2006**

(51) **LOC (8) Cl.** **11-01**

(52) **U.S. Cl.** **D11/38**

(58) **Field of Classification Search** D11/3,
D11/26-39, 89-91; 63/15, 15.1-15.4, 15.45,
63/15.5, 15.6, 15.65, 15.7, 26-27

See application file for complete search history.

(56) **References Cited**

U.S. PATENT DOCUMENTS

D136,039 S * 7/1943 Lampl D11/38
D243,599 S * 3/1977 Gilmartin D11/27

* cited by examiner

Primary Examiner—Ian Simmons

Assistant Examiner—Melanie Levy

(74) *Attorney, Agent, or Firm*—Darby & Darby

(57) **CLAIM**

The ornamental design for ring, as shown and described.

DESCRIPTION

FIG. 1 is a front perspective view of a ring showing my new design;

FIG. 2 is a front elevation view thereof, the rear being a mirror image thereof; and,

FIG. 3 is a top plan view thereof, the bottom view being a mirror image thereof.

1 Claim, 1 Drawing Sheet

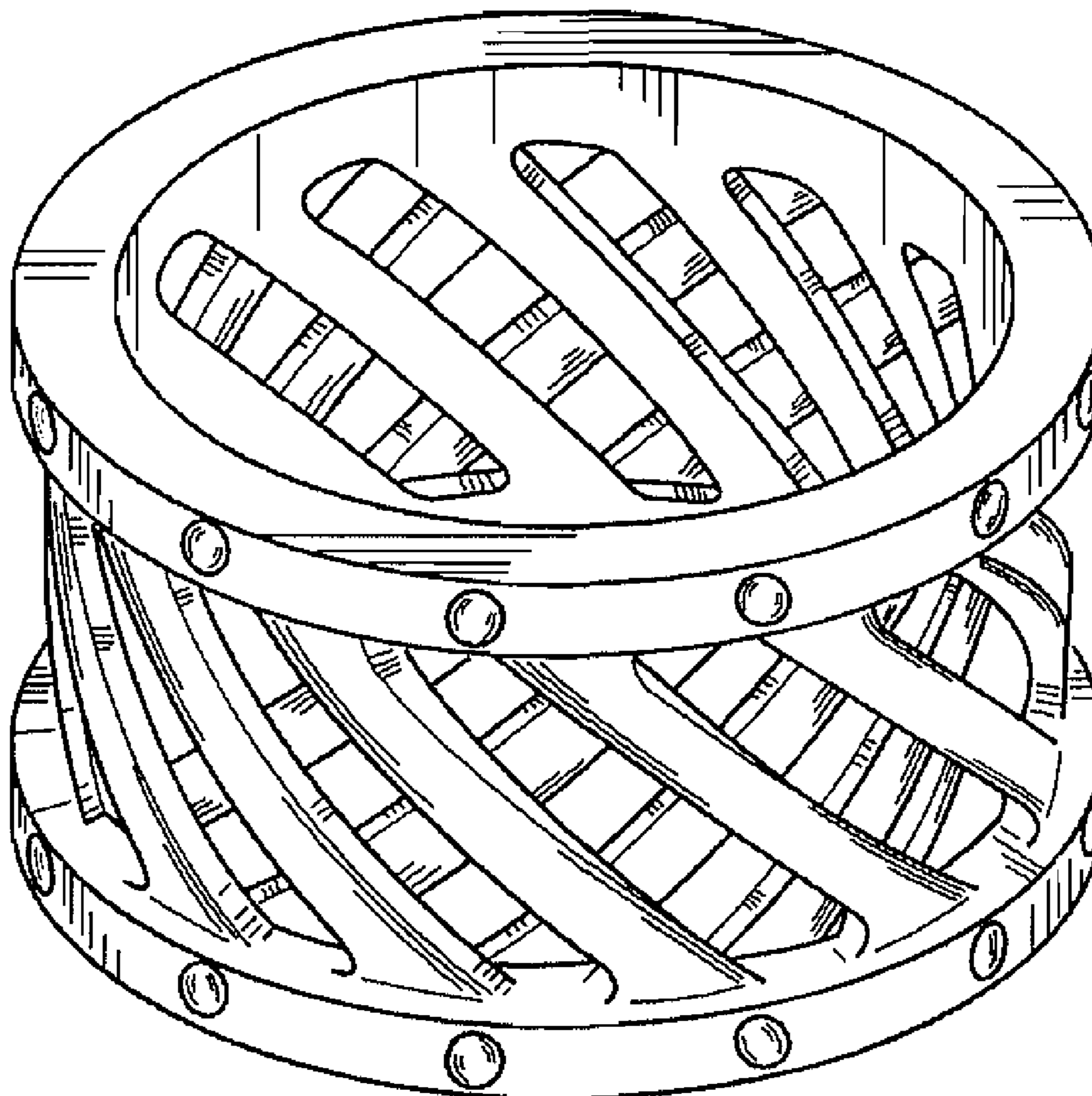


FIG. 1

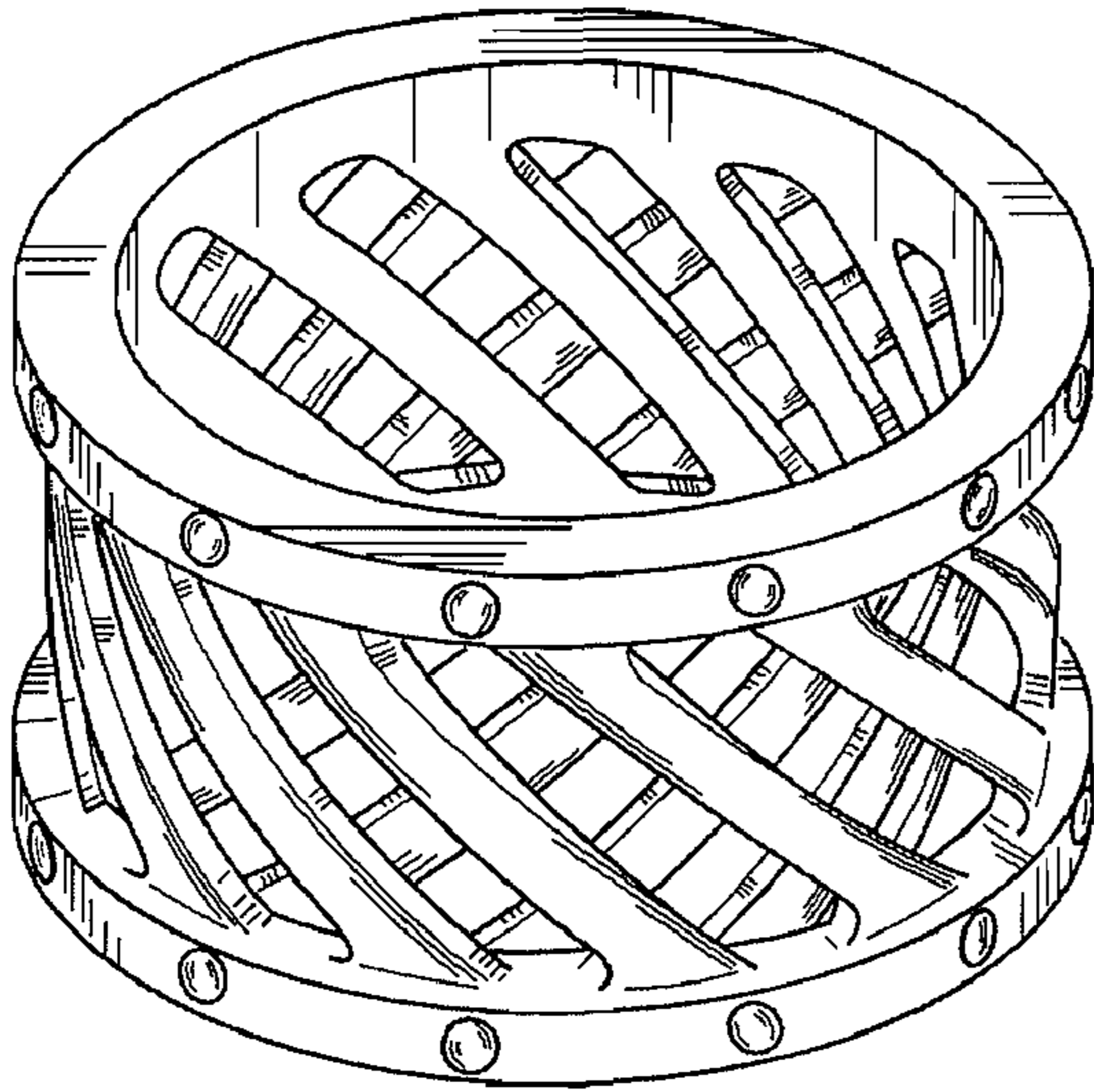


FIG. 2

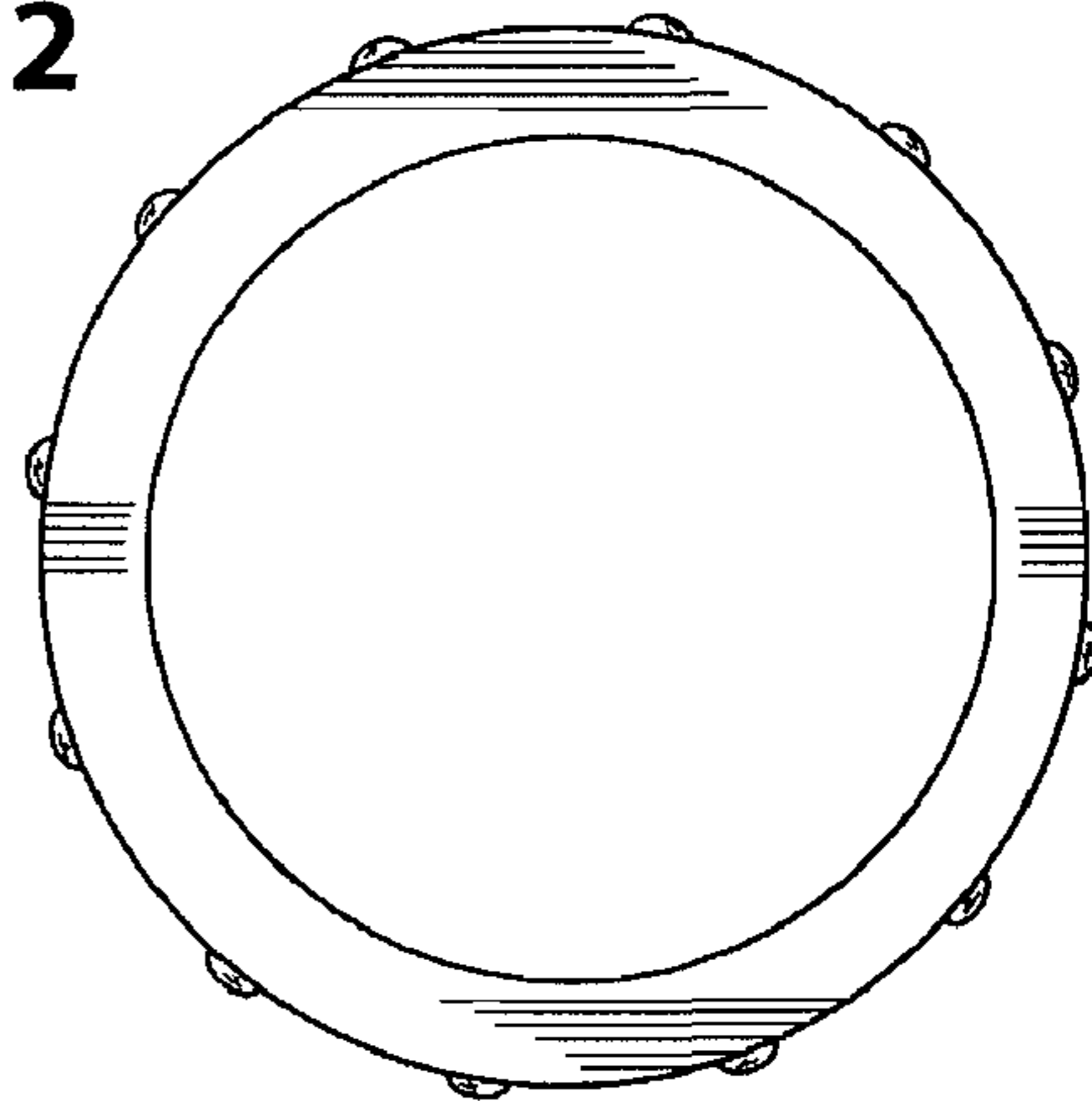


FIG. 3

