



US00D557169S

(12) **United States Design Patent**
Gorrie

(10) **Patent No.:** **US D557,169 S**

(45) **Date of Patent:** **** Dec. 11, 2007**

(54) **JEWELRY**

(76) **Inventor:** **Mark Russel Gorrie, c/o GM**
Jewellery CC t/as Mark Gold, Shop 3,
469 Innes Road, KwaZulu-Natal,
Durban (ZA)

(**) **Term:** **14 Years**

(21) **Appl. No.:** **29/236,789**

(22) **Filed:** **Aug. 23, 2005**

(30) **Foreign Application Priority Data**

Apr. 28, 2005 (ZA) A2005/0602

(51) **LOC (8) Cl.** **11-01**

(52) **U.S. Cl.** **D11/34**

(58) **Field of Classification Search** D11/3,
D11/26-39, 89-91; 63/15, 15.1-15.4, 15.45,
63/15.5, 15.6, 15.65, 15.7, 26-27

See application file for complete search history.

(56) **References Cited**

U.S. PATENT DOCUMENTS

D392,585 S * 3/1998 Kohl D11/26
D435,475 S * 12/2000 Canty D11/26
D451,046 S * 11/2001 Itzkowitz D11/26

D454,513 S * 3/2002 Gueit D11/26
D537,010 S * 2/2007 Gorrie D11/34
D537,376 S * 2/2007 Gorrie D11/34

* cited by examiner

Primary Examiner—Ian Simmons

Assistant Examiner—Melanie Levy

(74) *Attorney, Agent, or Firm*—Birch, Stewart, Kolasch &
Birch, LLP

(57) **CLAIM**

I claim the ornamental design for jewelry, as shown and
described.

DESCRIPTION

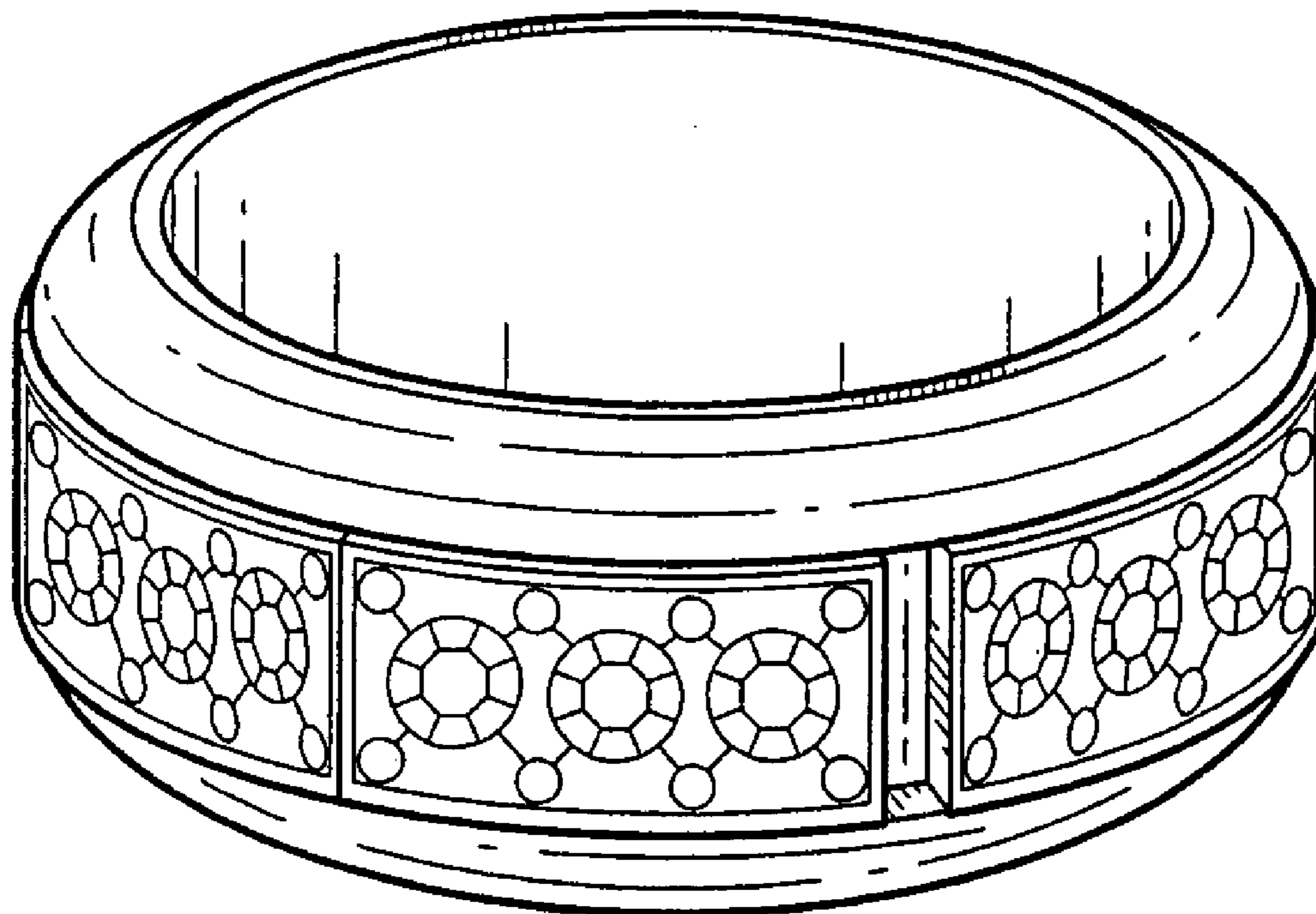
FIG. 1 is a perspective view of jewelry showing my new
design;

FIG. 2 is a front elevational view, the left side elevational
view being a mirror image of the right side elevational view
thereof; and,

FIG. 3 is a top plan view, the bottom plan view being a
mirror image thereof.

A bottom plan view is a mirror image of the top plan view.
A left side elevational view is a mirror image of the right side
elevational view.

1 Claim, 1 Drawing Sheet



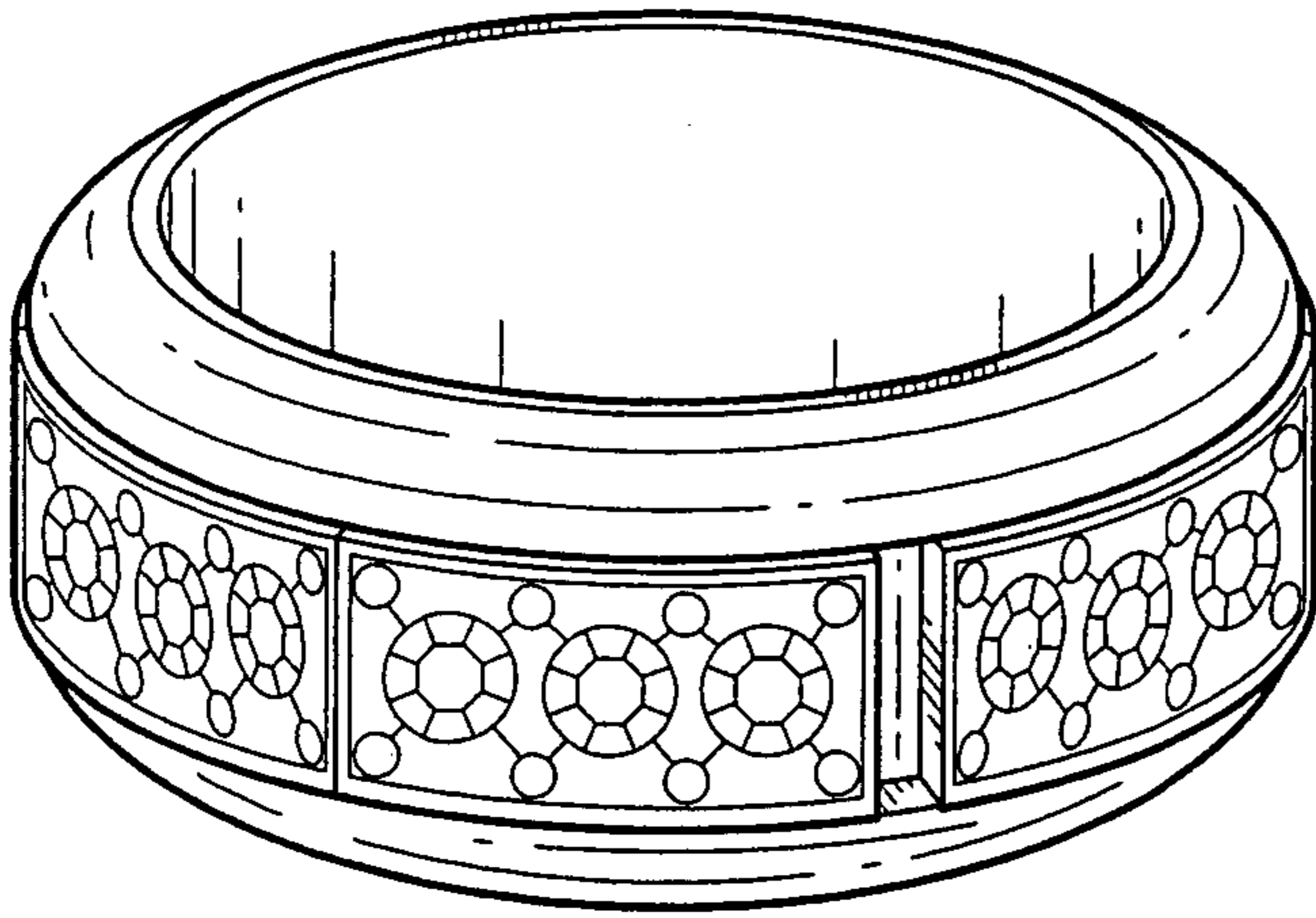


FIG. 1

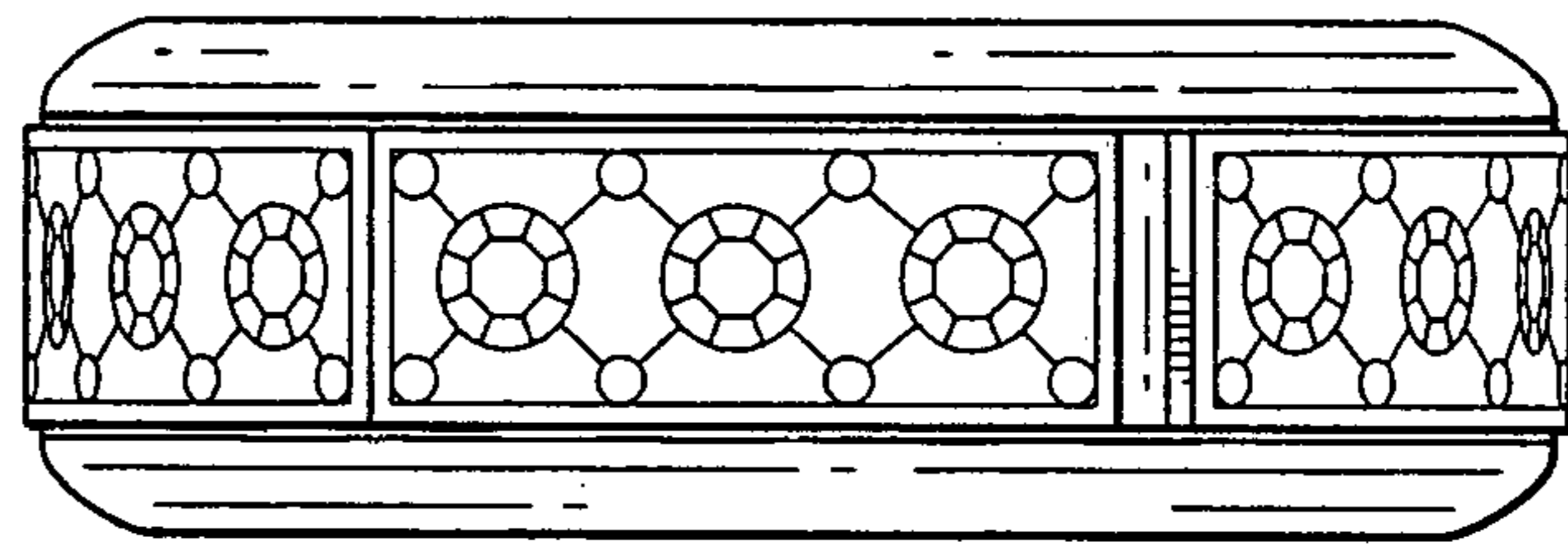


FIG. 2

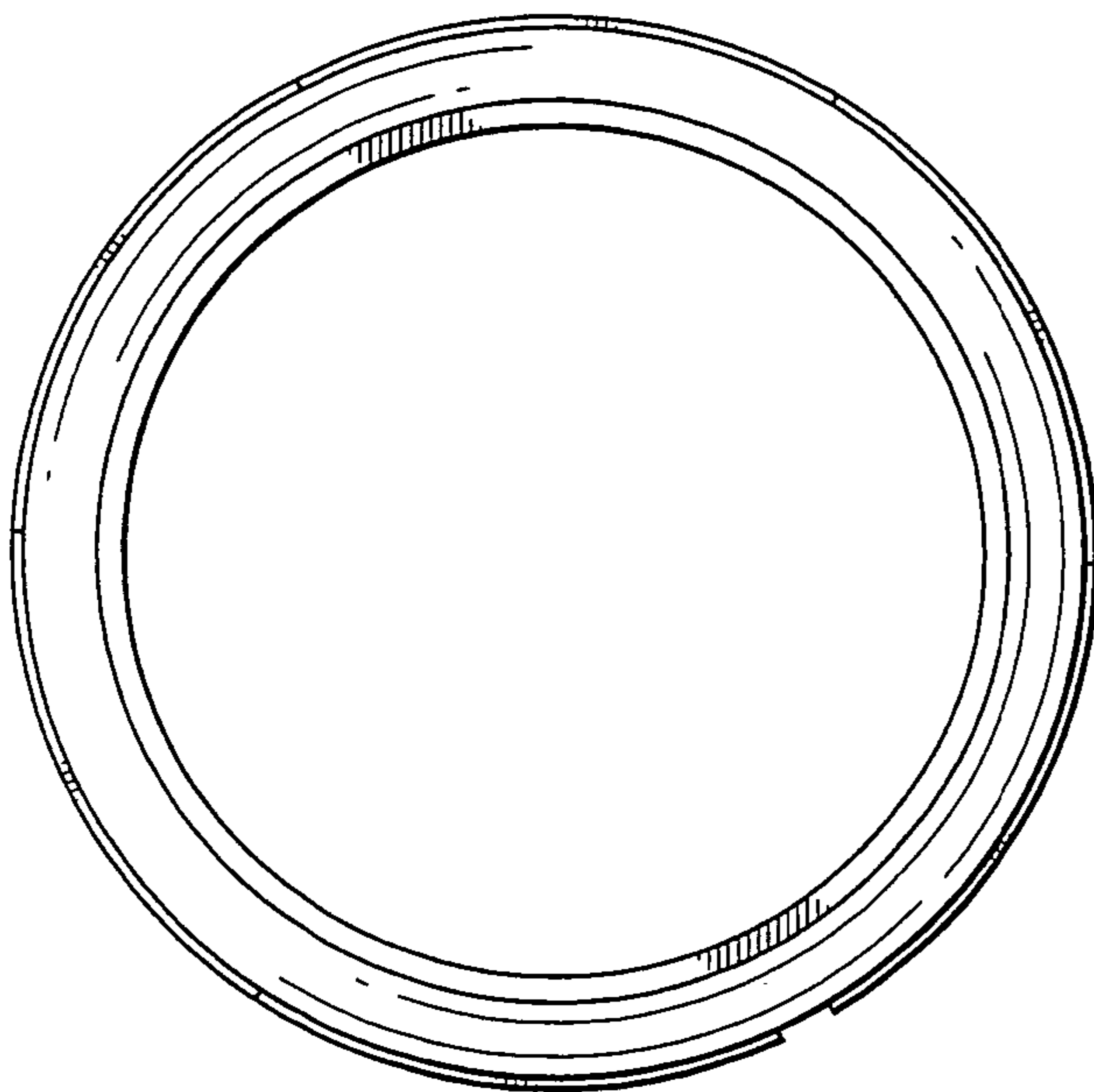


FIG. 3