



US00D557168S

(12) **United States Design Patent**  
**Brunet**

(10) **Patent No.:** **US D557,168 S**

(45) **Date of Patent:** **\*\* Dec. 11, 2007**

(54) **RING**

(75) Inventor: **Georges Brunet**, Chilly (FR)

(73) Assignee: **Zuccolo Rochet & Co.**, Seynod (FR)

(\*\*) Term: **14 Years**

(21) Appl. No.: **29/237,350**

(22) Filed: **Aug. 30, 2005**

(30) **Foreign Application Priority Data**

Mar. 3, 2005 (EM) ..... 000305230-0001

(51) **LOC (8) Cl.** ..... **11-01**

(52) **U.S. Cl.** ..... **D11/27**

(58) **Field of Classification Search** ..... D11/3,  
D11/26-39; 63/15, 15.1-15.3, 15.4, 15.45,  
63/15.5, 15.6, 15.65, 15.7, 27-28  
See application file for complete search history.

(56) **References Cited**

**U.S. PATENT DOCUMENTS**

D291,423 S \* 8/1987 Lajoie ..... D11/26  
D331,724 S \* 12/1992 Klein ..... D11/26  
6,085,550 A \* 7/2000 Ishida ..... 63/15.65

D440,516 S \* 4/2001 Siemon ..... D11/26  
D455,098 S \* 4/2002 Stefanelli ..... D11/86  
D495,616 S \* 9/2004 Fountoulakis ..... D11/26  
2002/0069670 A1 \* 6/2002 Rosenberg ..... 63/15.7

\* cited by examiner

*Primary Examiner*—Ian Simmons

*Assistant Examiner*—Melanie Levy

(74) *Attorney, Agent, or Firm*—Frommer Lawrence & Haug  
LLP; Ronald R. Santucci

(57) **CLAIM**

We claim the ornamental design for a ring, as shown and described.

**DESCRIPTION**

FIG. 1 is a front view of a ring showing our new design

FIG. 2 is a back view thereof

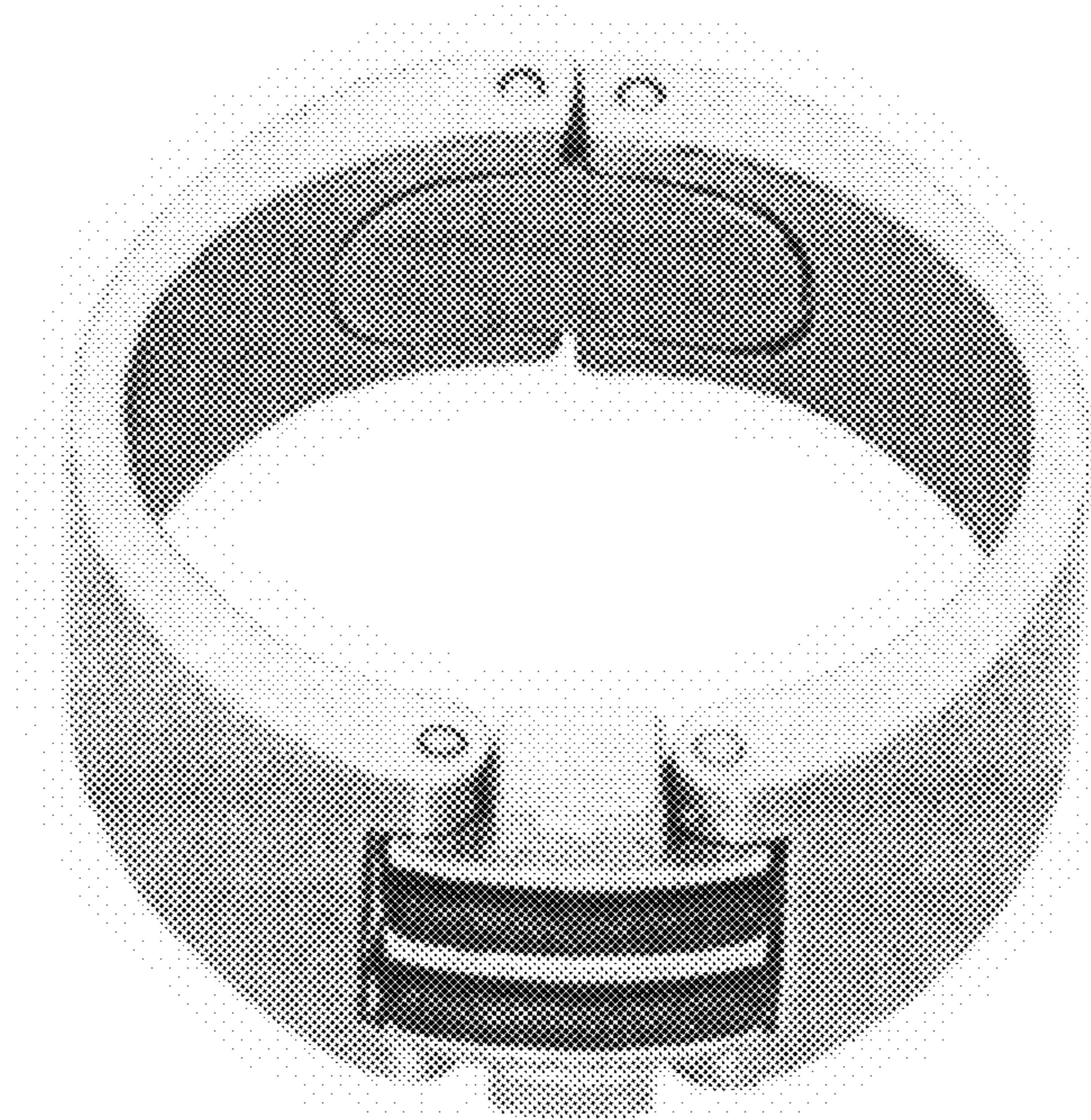
FIG. 3 is a top view thereof

FIG. 4 is a side view thereof

FIG. 5 is a perspective view thereof; and,

FIG. 6 is a perspective view of the ring opened.

**1 Claim, 1 Drawing Sheet**



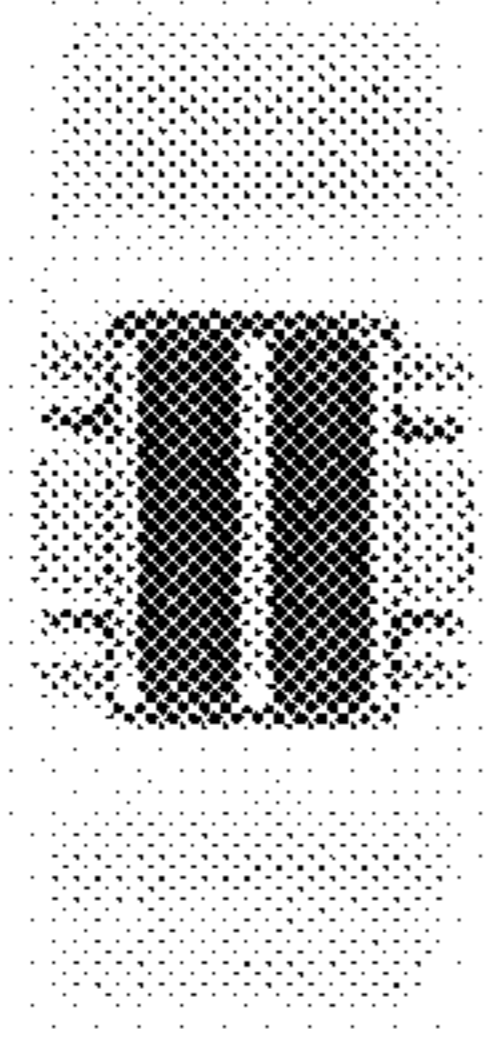


FIG. 1

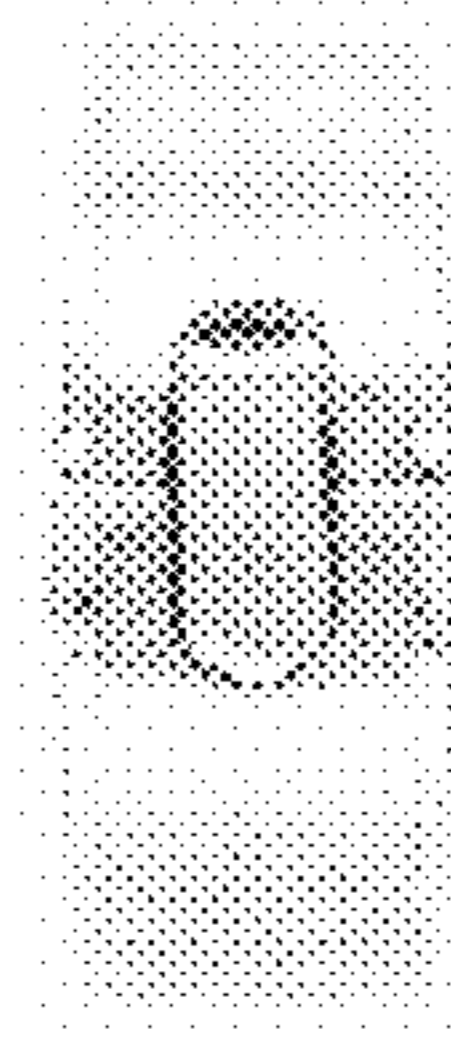


FIG. 2

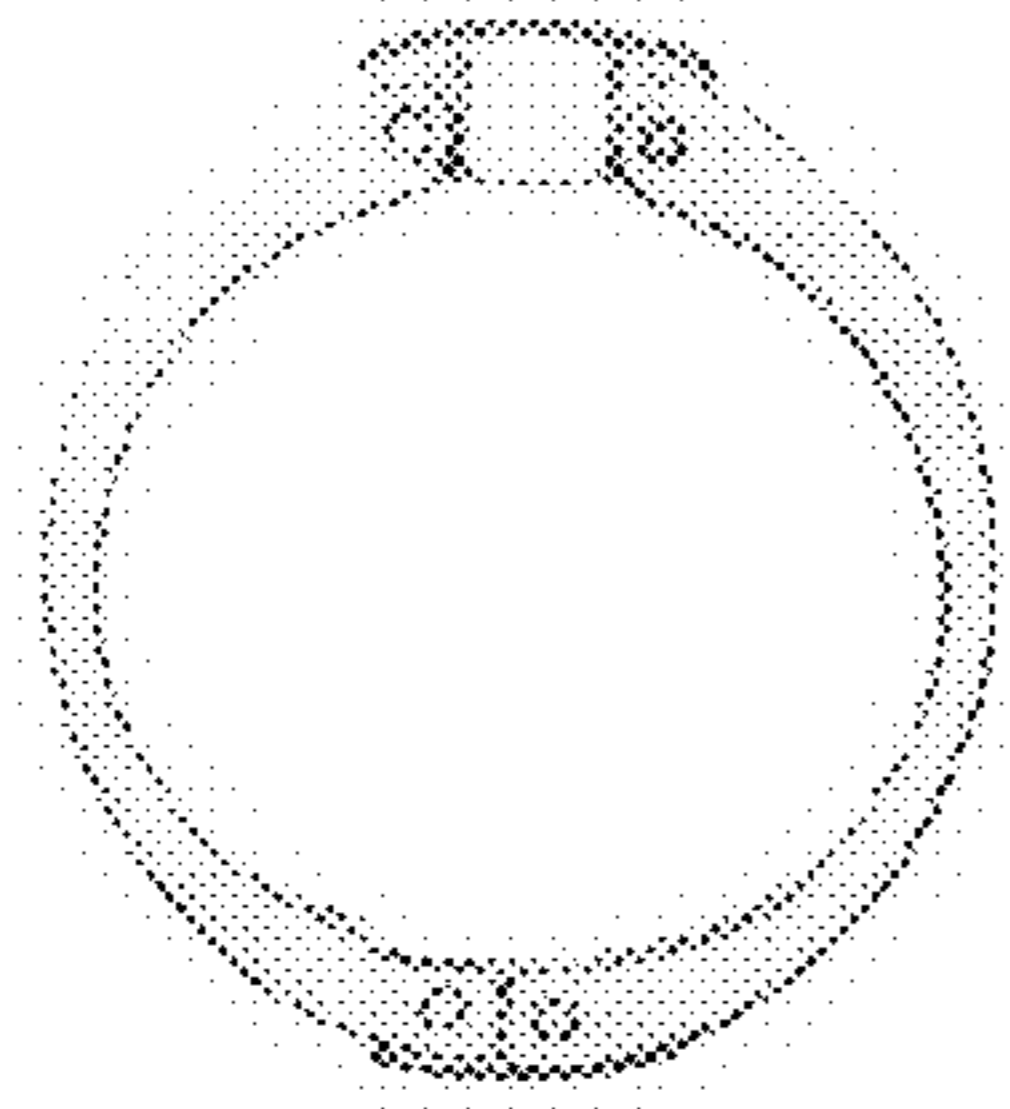


FIG. 3

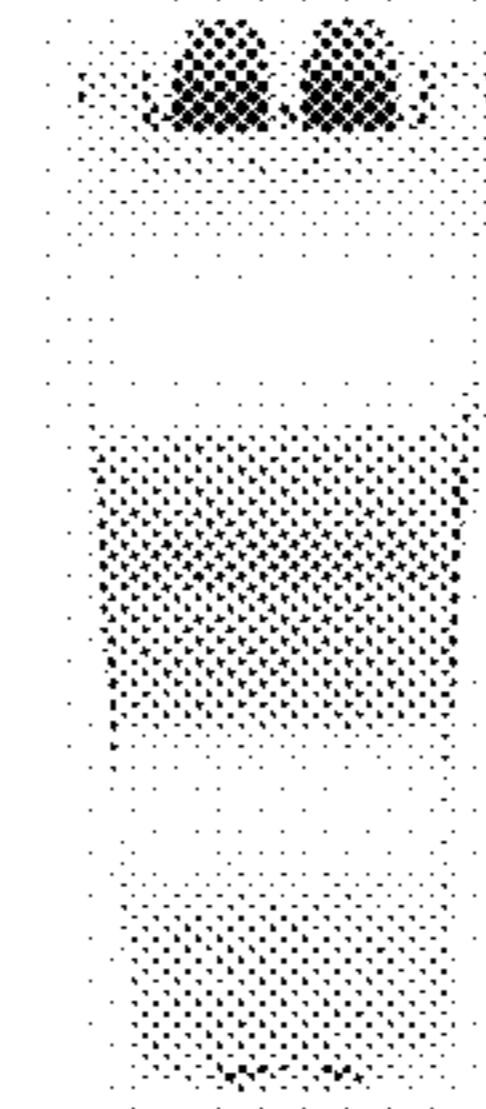


FIG. 4

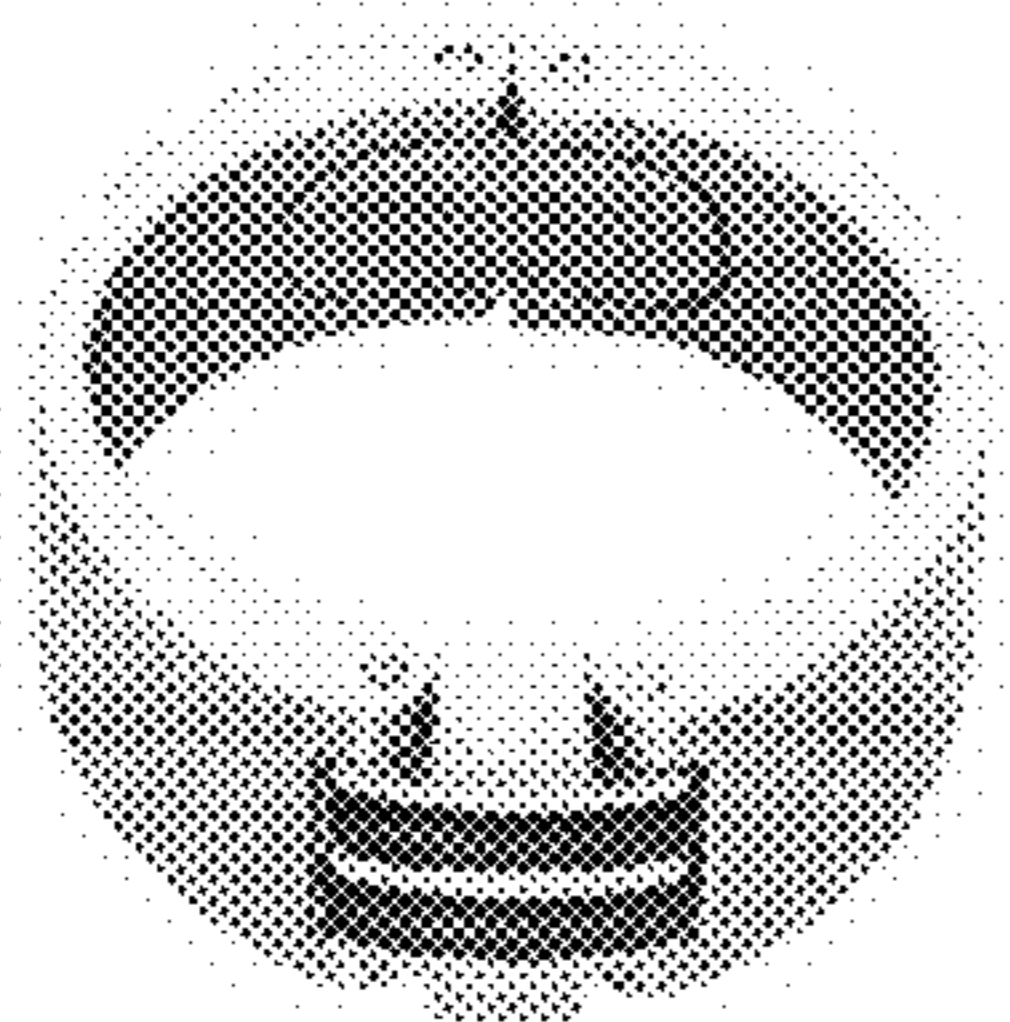


FIG. 5

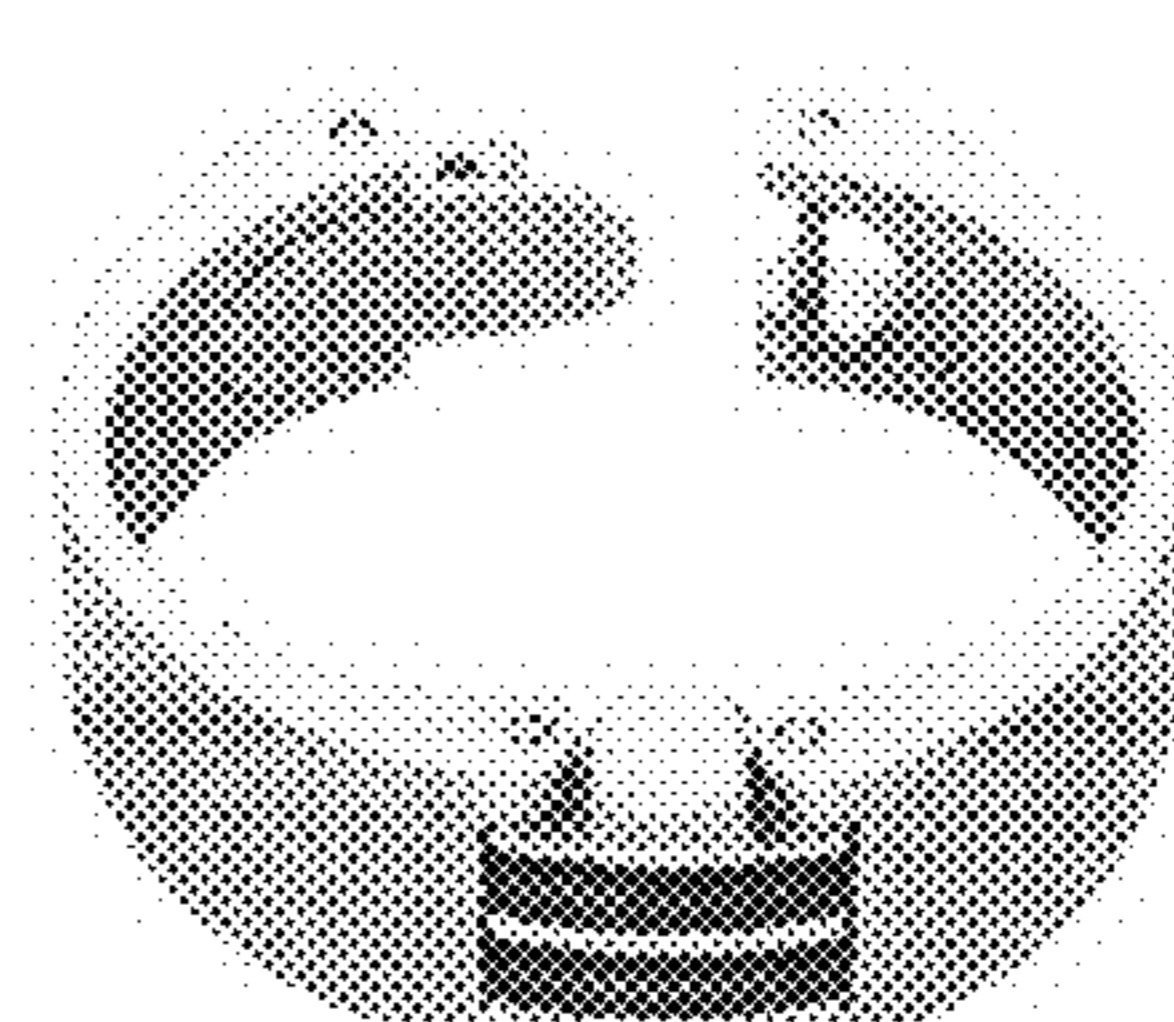


FIG. 6