



US00D557161S

(12) **United States Design Patent** (10) **Patent No.:** **US D557,161 S**
Cerullo et al. (45) **Date of Patent:** **** Dec. 11, 2007**

(54) **HOCKEY BRACELET**

(76) Inventors: **Frank Cerullo**, 8 Phillips Rd.,
Branchville, NJ (US) 07826; **Nick Iovacchini**, 129 Orchard St., Apt. 14,
New York, NY (US) 10002

(**) Term: **14 Years**

(21) Appl. No.: **29/260,854**

(22) Filed: **Jun. 1, 2006**

(51) **LOC (8) Cl.** **11-01**

(52) **U.S. Cl.** **D11/14**

(58) **Field of Classification Search** D11/1-25,
D11/32, 93, 94; 63/1.11, 3, 3.1, 3.2, 5.1,
63/5.2, 7-11; 224/175

See application file for complete search history.

(56) **References Cited**

U.S. PATENT DOCUMENTS

4,238,935 A	12/1980	Oudet et al.	
D333,170 S *	2/1993	Patton	D21/719
D339,916 S *	10/1993	Behbahani	D3/283
D340,078 S *	10/1993	Turner	D19/82
D387,304 S *	12/1997	Alcala	D11/157
D404,677 S *	1/1999	Johnson	D11/5
D408,237 S *	4/1999	Wysopal	D8/38
D446,148 S	8/2001	Kelly	
D482,633 S	11/2003	Highfill	
D500,103 S *	12/2004	Lowinger	D21/698
D503,760 S *	4/2005	Chang	D21/712
D509,765 S *	9/2005	Lishen	D11/3

D518,536 S *	4/2006	Chang	D21/712
D520,737 S *	5/2006	Gotlieb	D3/211
D525,904 S *	8/2006	Killen et al.	D11/168
D537,132 S *	2/2007	Barhoum	D21/712

* cited by examiner

Primary Examiner—Ian Simmons

Assistant Examiner—Michael A. Pratt

(74) *Attorney, Agent, or Firm*—Proskauer Rose LLP

(57) **CLAIM**

The ornamental design for hockey bracelet, as shown and described.

DESCRIPTION

FIG. 1 is a perspective view of a hockey bracelet;

FIG. 2 is a top view of FIG. 1;

FIG. 3 is a bottom view of FIG. 1;

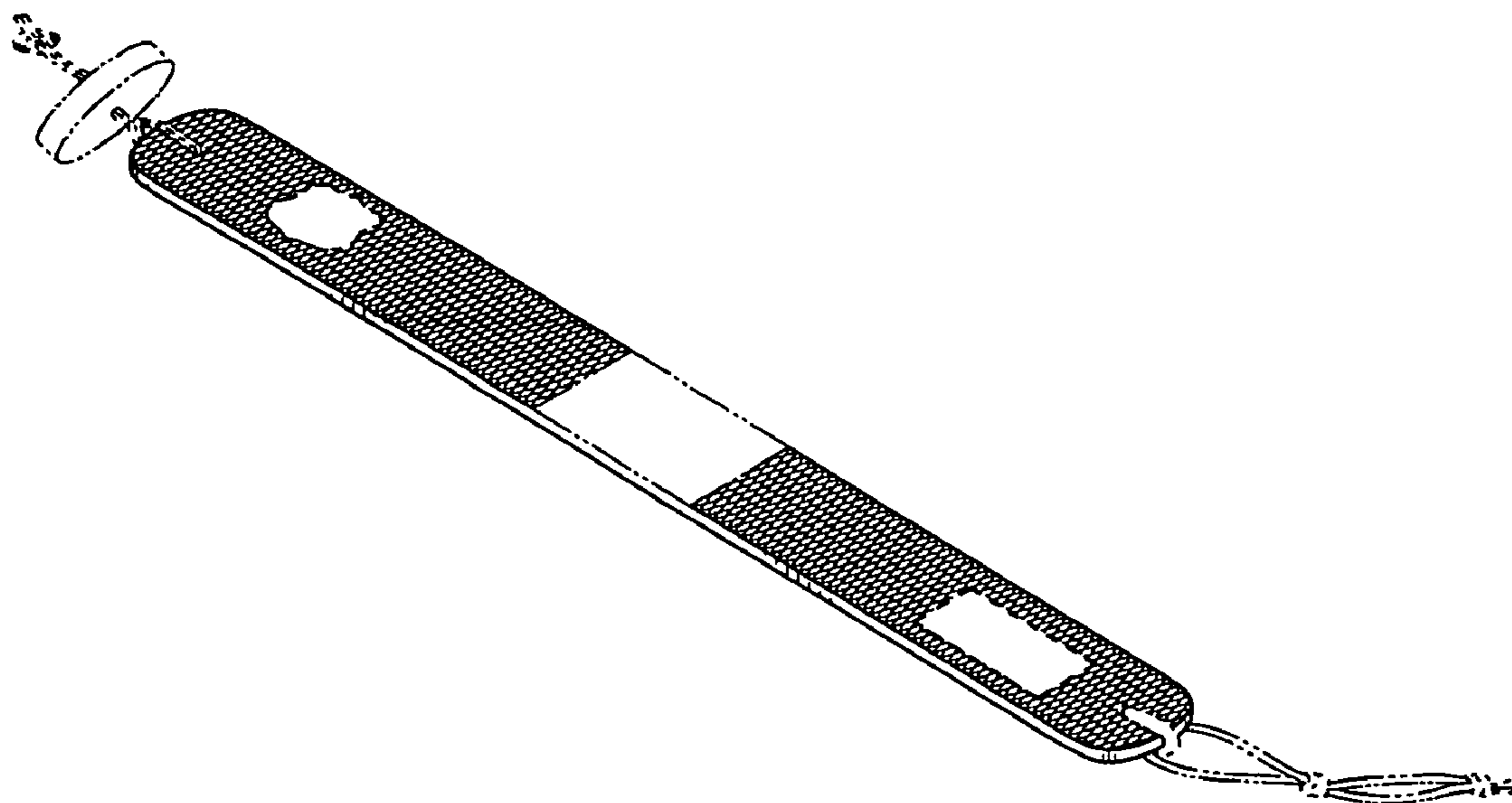
FIG. 4 is a right side view of FIG. 1, the left side view being a mirror image thereof;

FIG. 5 is a left end view of FIG. 1; and,

FIG. 6 is a right end view of FIG. 1.

The portion of the article shown in broken lines in FIGS. 1-6 is for illustrative purposes only and forms no part of the claimed design. The surface texture shown in FIGS. 1 and 2 is continuous. That is, the surface texture continues under the unclaimed shapes shown in broken lines on the top surface of the bracelet shown in FIGS. 1 and 2.

1 Claim, 2 Drawing Sheets



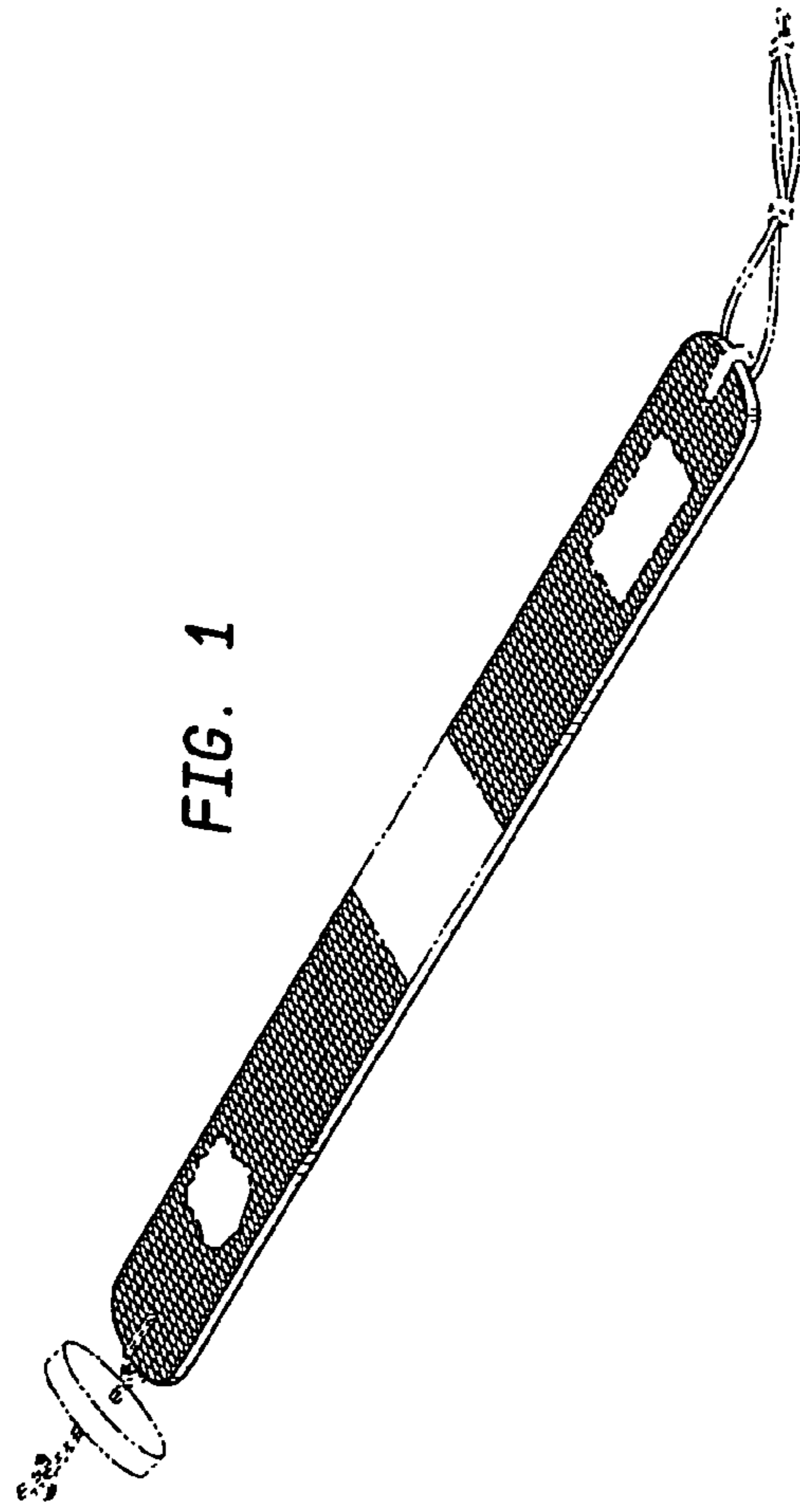


FIG. 1

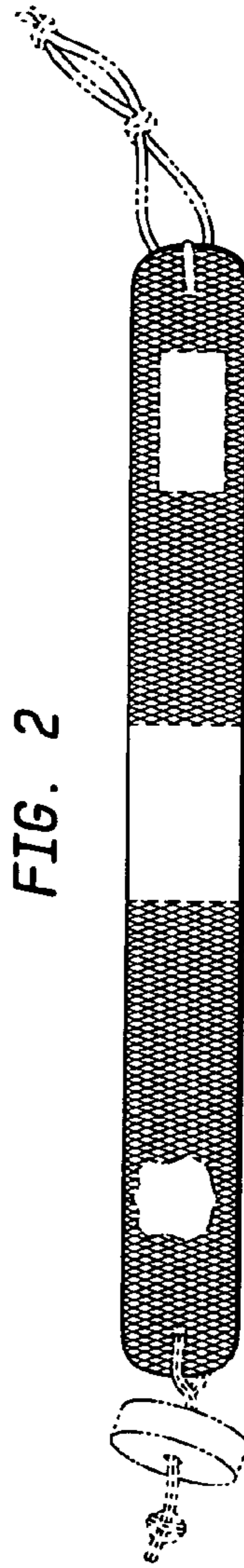


FIG. 2

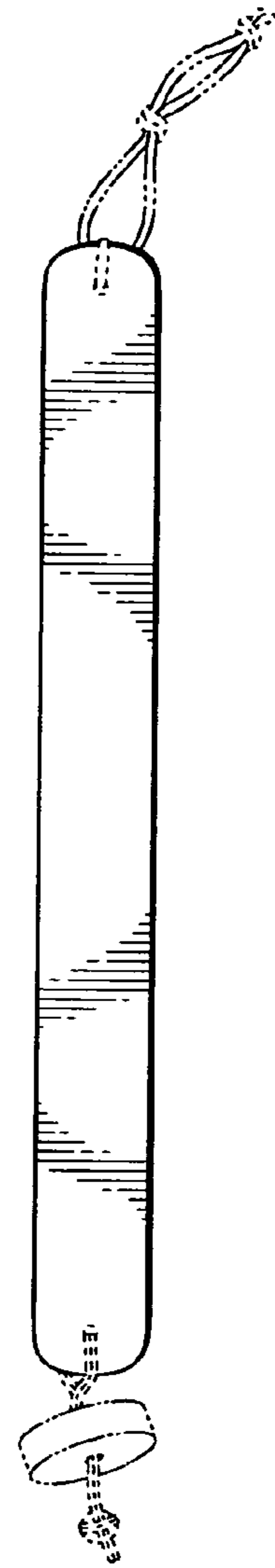


FIG. 3

FIG. 4

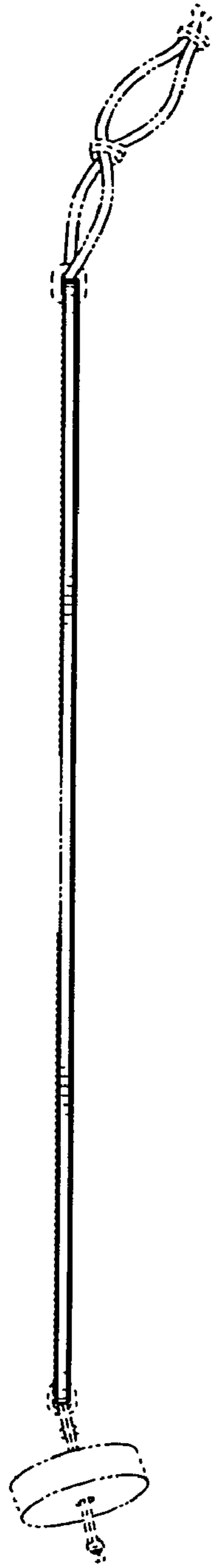


FIG. 5

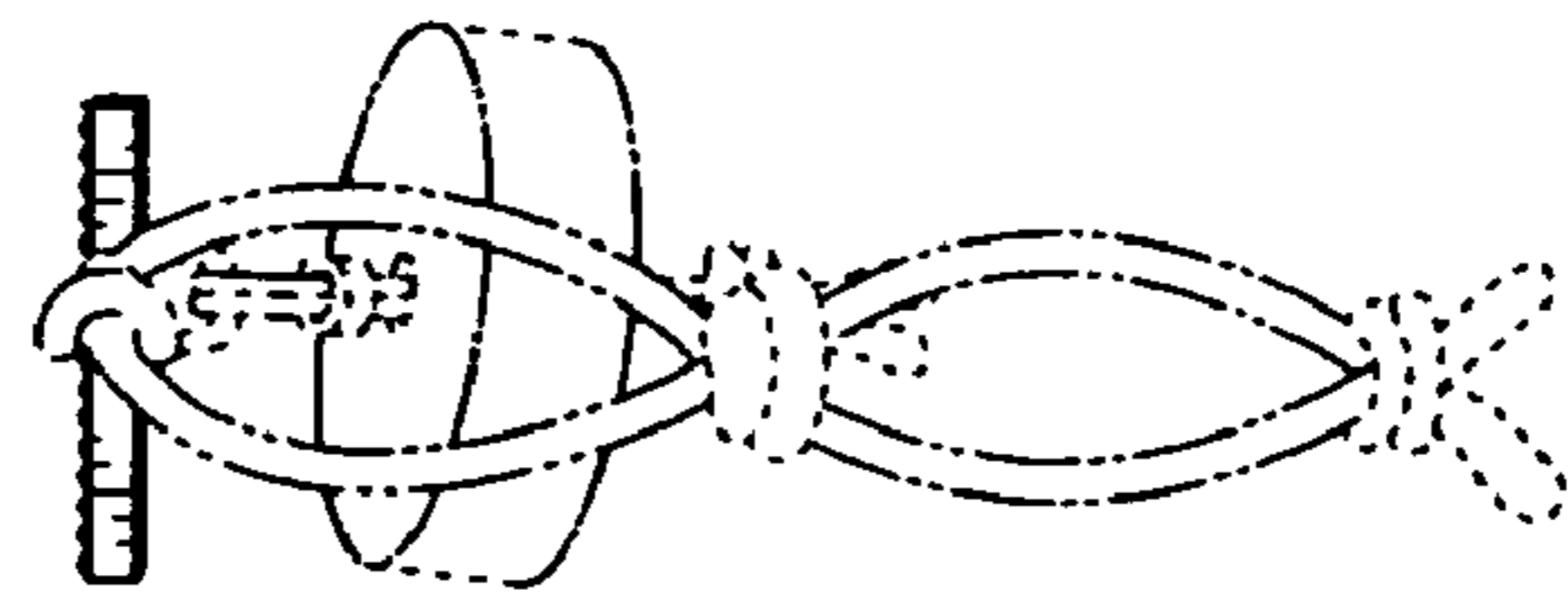


FIG. 6

