



US00D557158S

(12) **United States Design Patent** (10) **Patent No.:** **US D557,158 S**  
**So** (45) **Date of Patent:** **\*\* Dec. 11, 2007**

(54) **ANIMAL TRAINING DEVICE**

(76) Inventor: **Ho Yun So**, 8-1006 Kwangjang Apt. 28  
Youido-dong, Yongdungpo-gu, Seoul  
(KR) 150-762

(\*\*) Term: **14 Years**

(21) Appl. No.: **29/250,782**

(22) Filed: **Nov. 30, 2006**

(51) **LOC (8) Cl.** ..... **10-05**

(52) **U.S. Cl.** ..... **D10/104; D30/152**

(58) **Field of Classification Search** ..... D30/104-121,  
D30/151, 152, 199; 119/720, 712, 129, 108,  
119/106; 343/895; 340/573, 573.3; 278/8 AES;  
54/1; 231/7

See application file for complete search history.

(56) **References Cited**

**U.S. PATENT DOCUMENTS**

4,399,432 A	8/1983	Lunn	
D298,872 S *	12/1988	Cassel et al. ....	D30/199
4,794,402 A *	12/1988	Gonda et al. ....	119/720
D376,553 S *	12/1996	Heun .....	D10/104
D380,692 S *	7/1997	Heun .....	D10/104
D410,206 S *	5/1999	Slater .....	D10/104
6,003,474 A	12/1999	Slater et al.	
6,019,066 A	2/2000	Taylor	
6,061,037 A *	5/2000	Brouwers et al. ....	343/895
6,073,589 A	6/2000	Curen et al.	
D445,707 S	7/2001	Zakhakyan	
6,263,836 B1	7/2001	Hollis	
D469,029 S	1/2003	So	
D473,481 S	4/2003	So	
D478,830 S	8/2003	So	
D478,831 S	8/2003	So	
D482,979 S	12/2003	So	

6,750,758 B2	6/2004	Duncan et al.	
6,874,447 B1	4/2005	Kobett	
6,907,844 B1 *	6/2005	Crist et al. ....	119/718
D520,894 S *	5/2006	Zakharyan .....	D10/104
D522,187 S *	5/2006	Nottingham et al. ....	D30/152
D523,188 S *	6/2006	Lord .....	D30/152
D523,998 S *	6/2006	Nottingham et al. ....	D30/152
D526,590 S	8/2006	So	

\* cited by examiner

*Primary Examiner*—Robert M. Spear  
*Assistant Examiner*—George D Kirschbaum  
(74) *Attorney, Agent, or Firm*—Sheridan Ross P.C.

(57) **CLAIM**

The ornamental design for an animal training device, as shown and described.

**DESCRIPTION**

FIG. 1 is a front perspective view of an animal training device;

FIG. 2 is a front elevational view thereof;

FIG. 3 is a rear elevational view thereof;

FIG. 4 is a left side elevational view thereof;

FIG. 5 is a right side elevational view thereof;

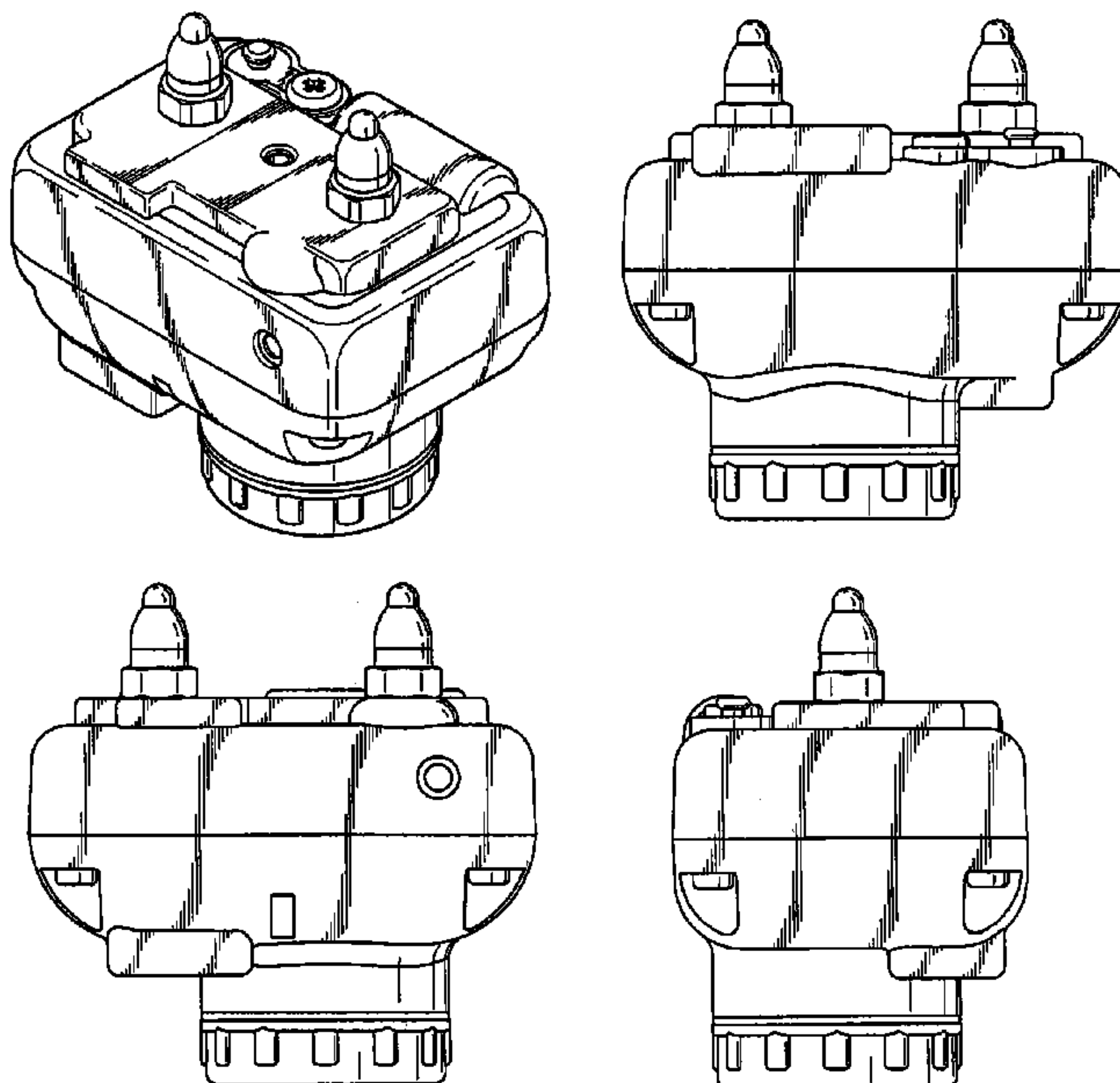
FIG. 6 is a top plan view thereof;

FIG. 7 is a bottom plan view thereof, and,

FIG. 8 is a front perspective view of the invention of FIG. 1 shown with the environment.

In the drawings, the broken line showing of a dog collar depicts environmental subject matter and forms no part of the claim.

**1 Claim, 5 Drawing Sheets**



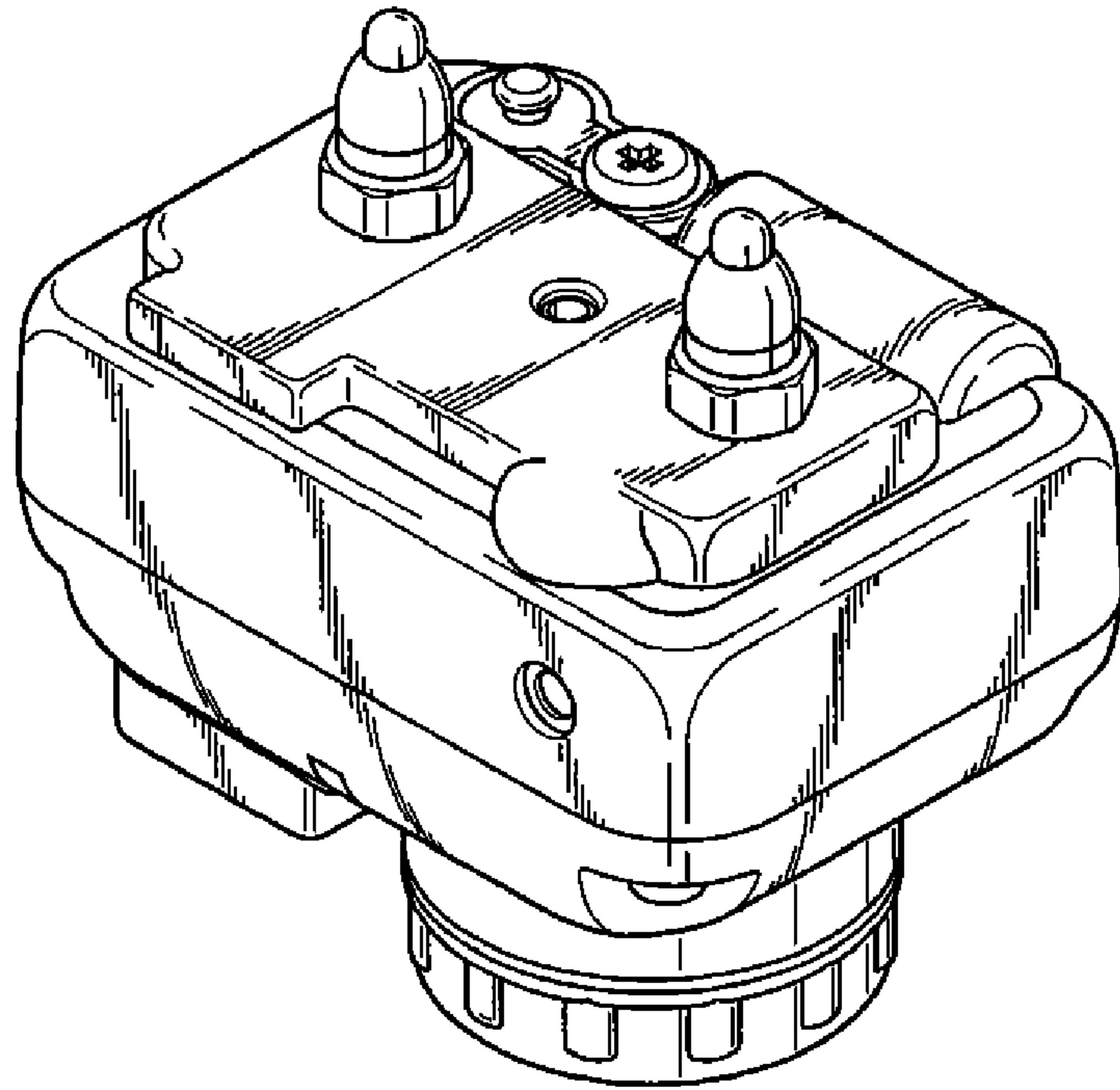


FIG. 1

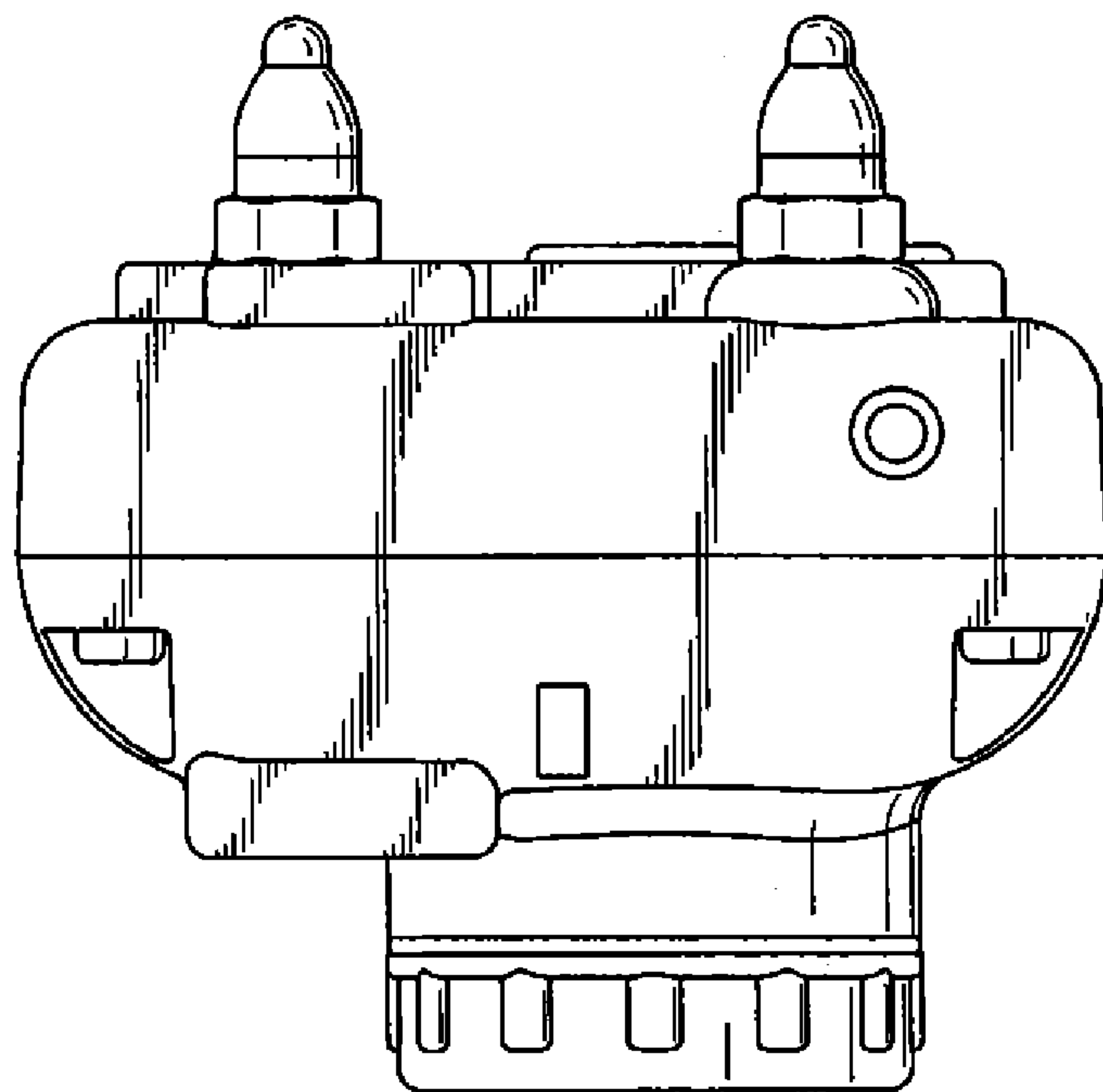


FIG. 2

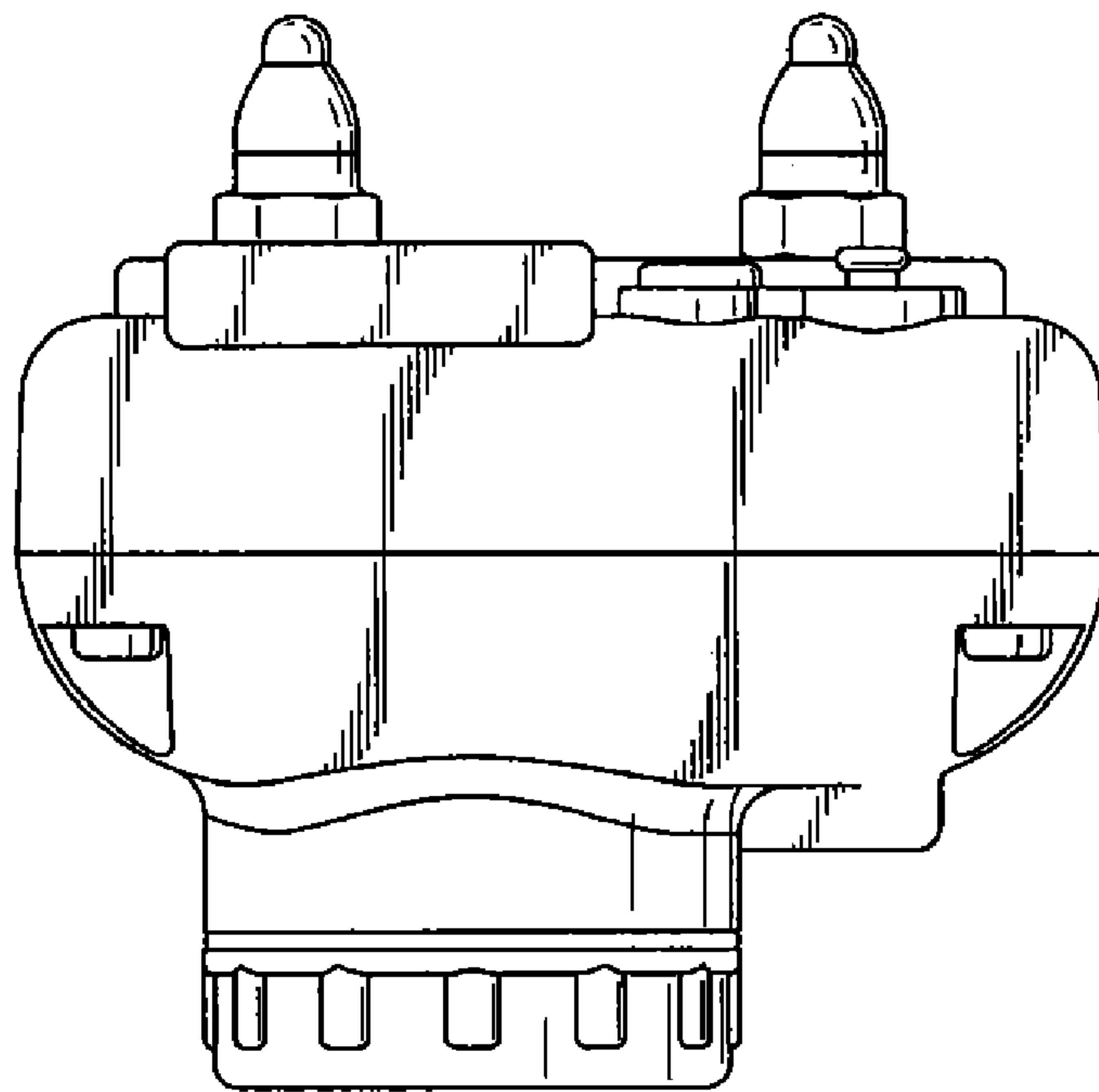


FIG. 3

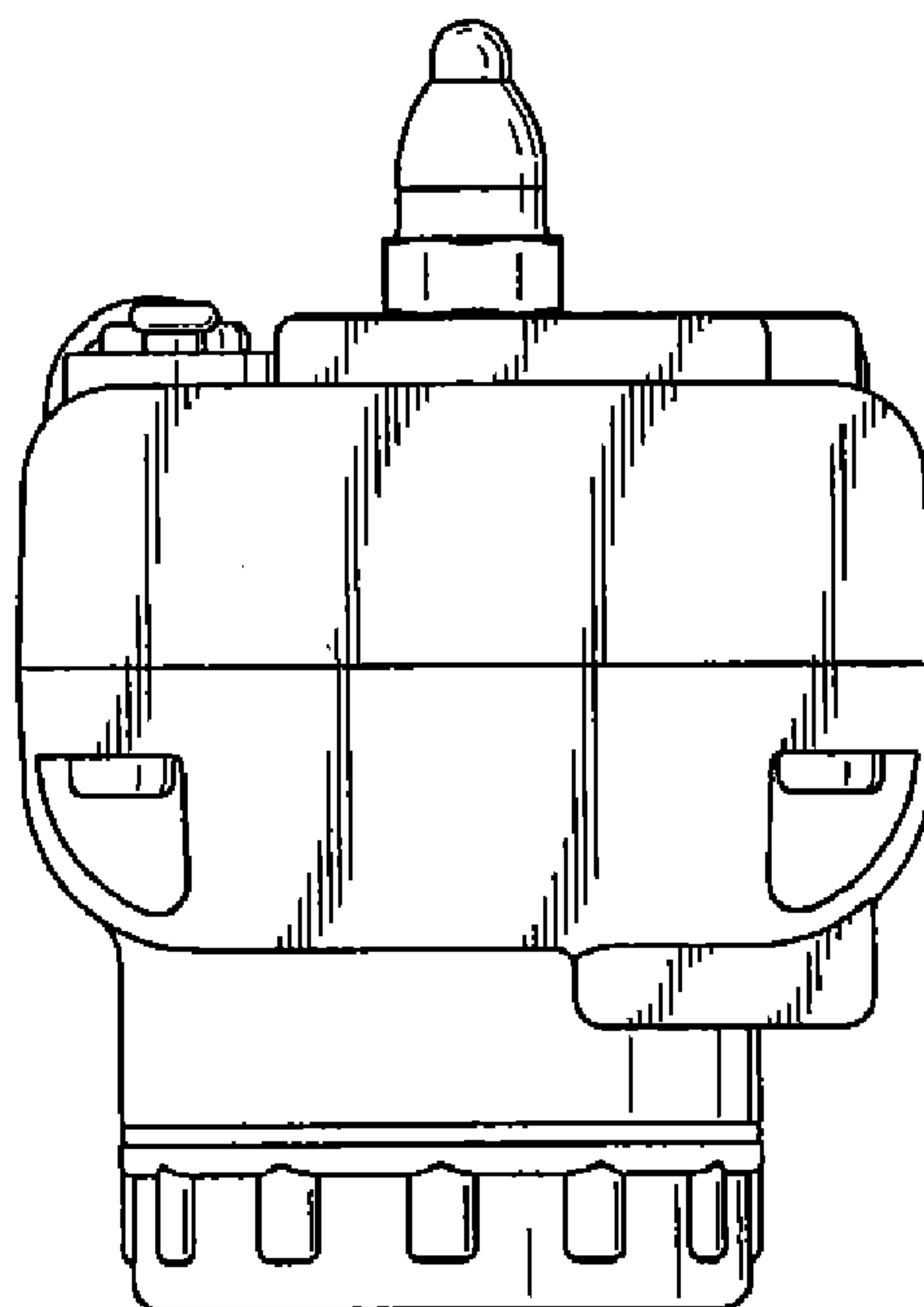


FIG. 4

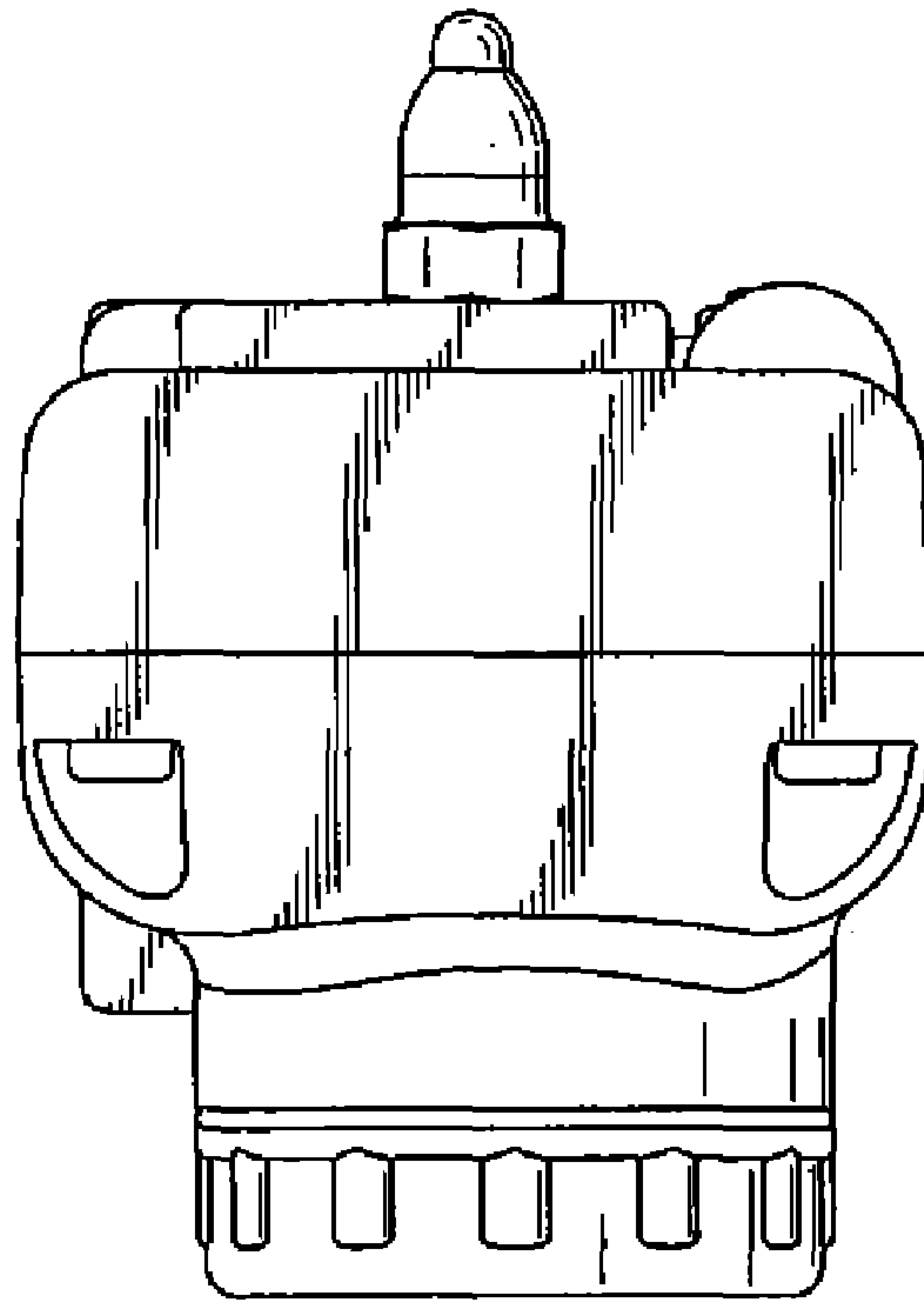


FIG. 5

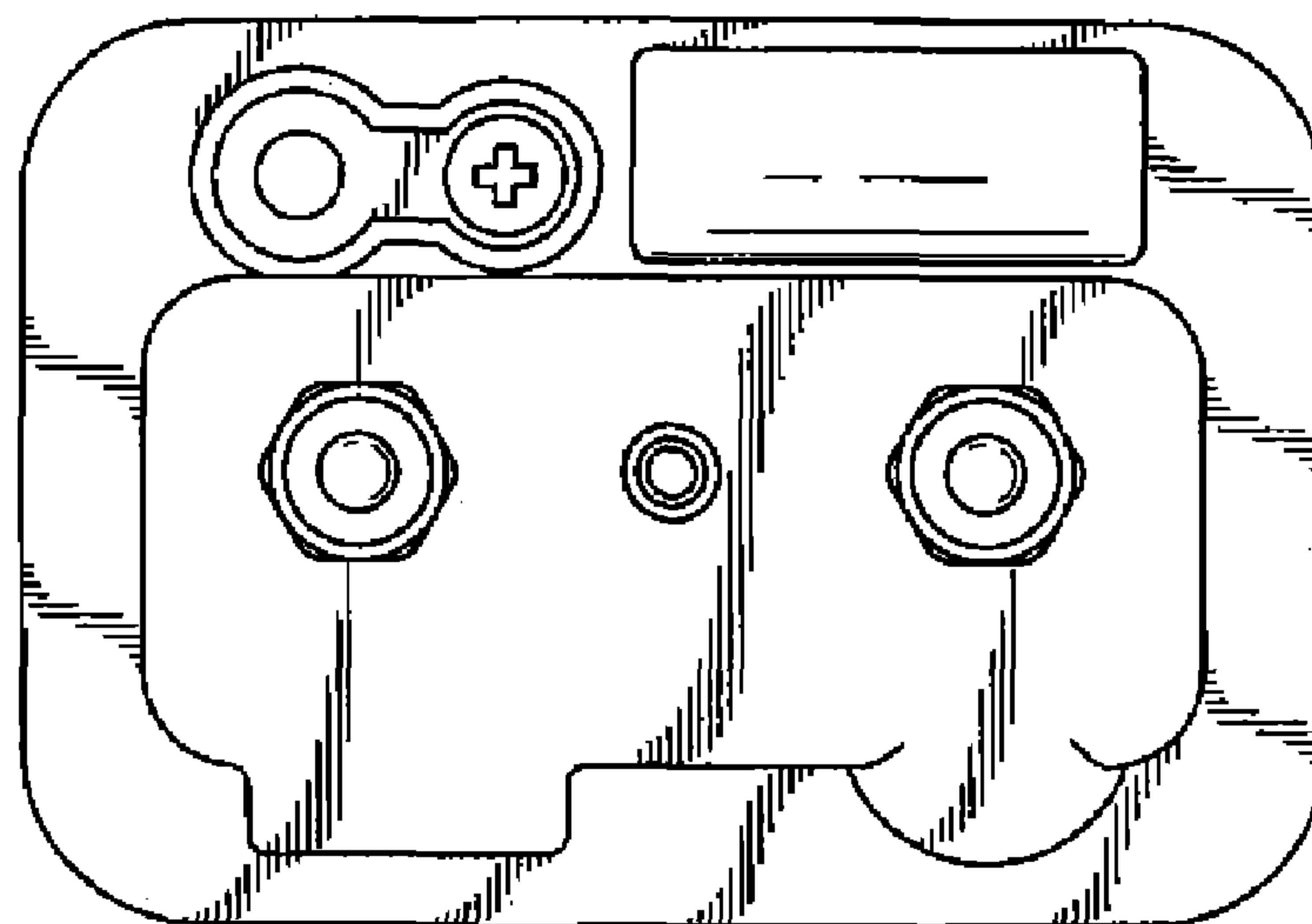


FIG. 6

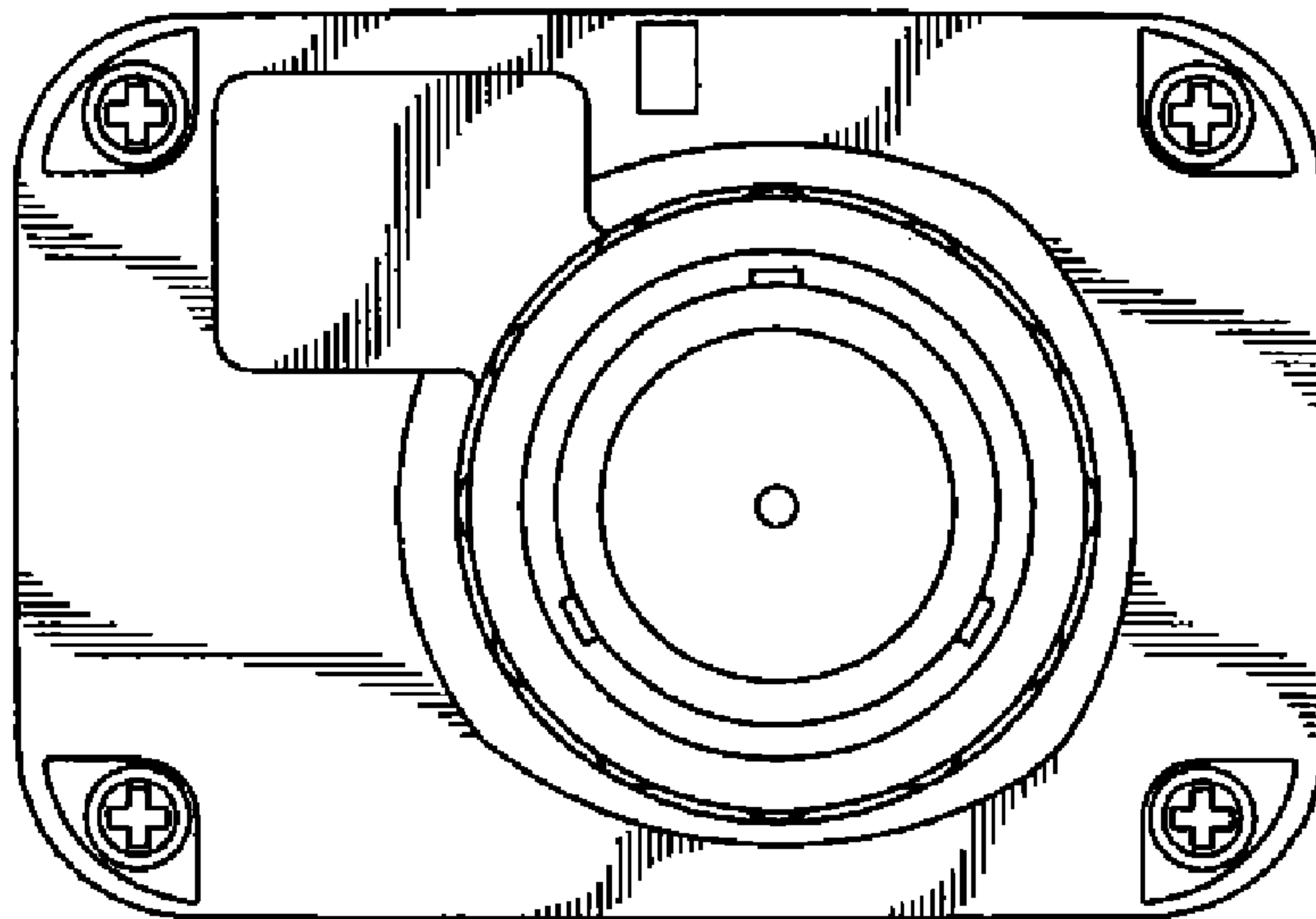


FIG. 7

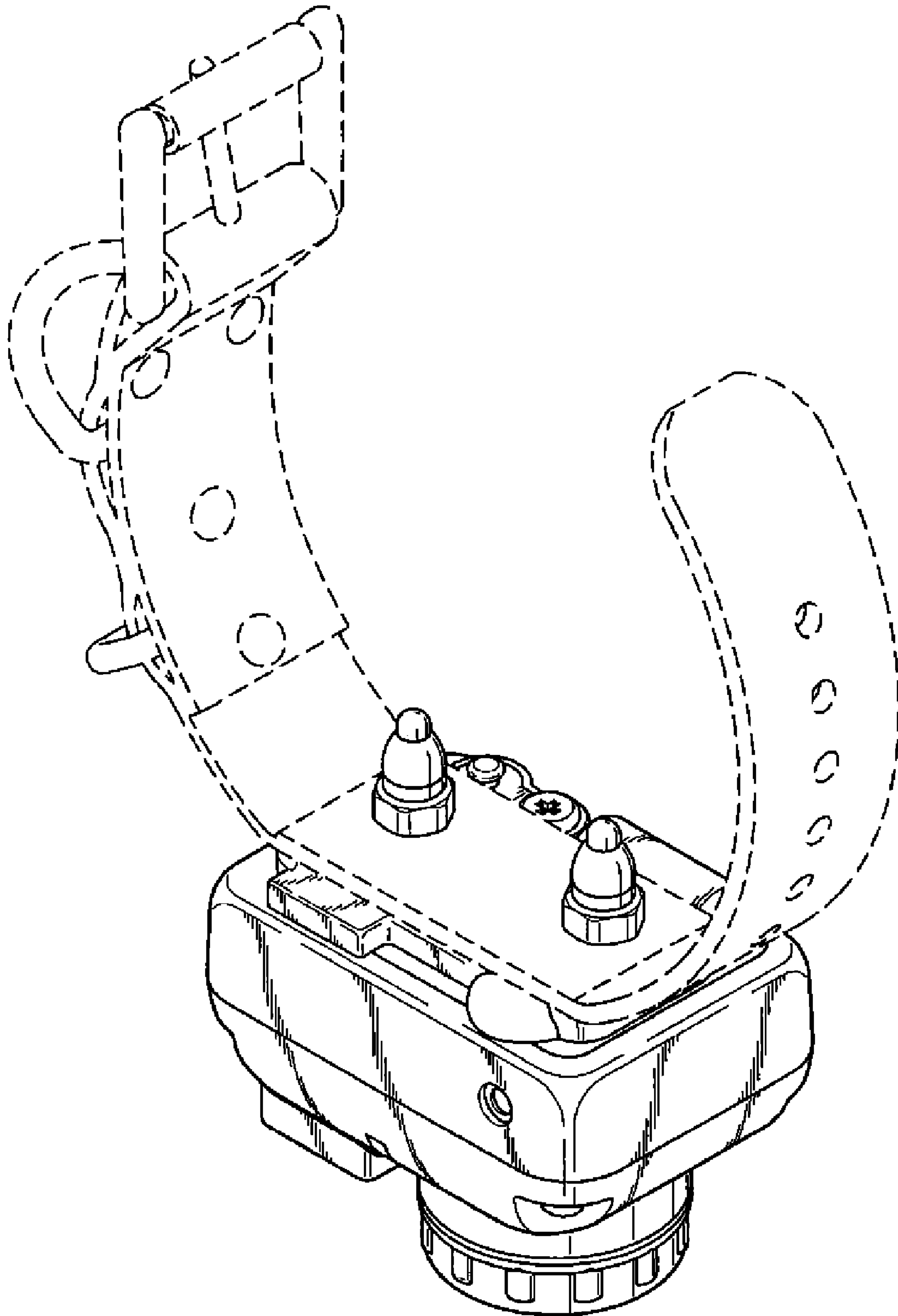


FIG. 8