



US00D557157S

(12) **United States Design Patent**  
**Sitnikov**

(10) **Patent No.:** **US D557,157 S**

(45) **Date of Patent:** **\*\* Dec. 11, 2007**

(54) **LIQUID LEVEL SENSOR**

6,976,394 B2 \* 12/2005 Kleinen et al. .... 73/313

(75) Inventor: **Timofey Sitnikov**, Lititz, PA (US)

\* cited by examiner

(73) Assignee: **Maxima Technologies & Systems, LLC**, Lancaster, PA (US)

*Primary Examiner*—Antoine D. Davis  
(74) *Attorney, Agent, or Firm*—Barley Snyder LLC

(\*\*) Term: **14 Years**

(57) **CLAIM**

(21) Appl. No.: **29/247,963**

The ornamental design for a liquid level sensor, as shown and described.

(22) Filed: **Jul. 21, 2006**

**DESCRIPTION**

(51) **LOC (8) Cl.** ..... **10-04**

(52) **U.S. Cl.** ..... **D10/101**

(58) **Field of Classification Search** ..... D10/101;  
73/305, 313, 317, 318, 322.5, 290 R, 319,  
73/DIG. 5; 116/204, 284, 227, 56–62.4,  
116/266, 271, DIG. 20, DIG. 71; 324/200,  
324/207.22

See application file for complete search history.

FIG. 1 is a top side view of the liquid level sensor, showing the new design;

FIG. 2 is a bottom side view thereof;

FIG. 3 is a left side view thereof;

FIG. 4 is a front elevation view thereof;

FIG. 5 is a right-side view thereof;

FIG. 6 is a rear elevation view thereof;

FIG. 7 is an exploded perspective view taken from the front, right, and top side; and,

FIG. 8 is a perspective view taken from the rear, bottom, and left side thereof.

(56) **References Cited**

**U.S. PATENT DOCUMENTS**

- D419,091 S \* 1/2000 Pattison et al. .... D10/101
- 6,176,134 B1 \* 1/2001 Langer ..... 73/317
- 6,209,392 B1 \* 4/2001 Rapala ..... 73/317
- 6,595,239 B1 \* 7/2003 Korst et al. .... 137/558

**1 Claim, 8 Drawing Sheets**

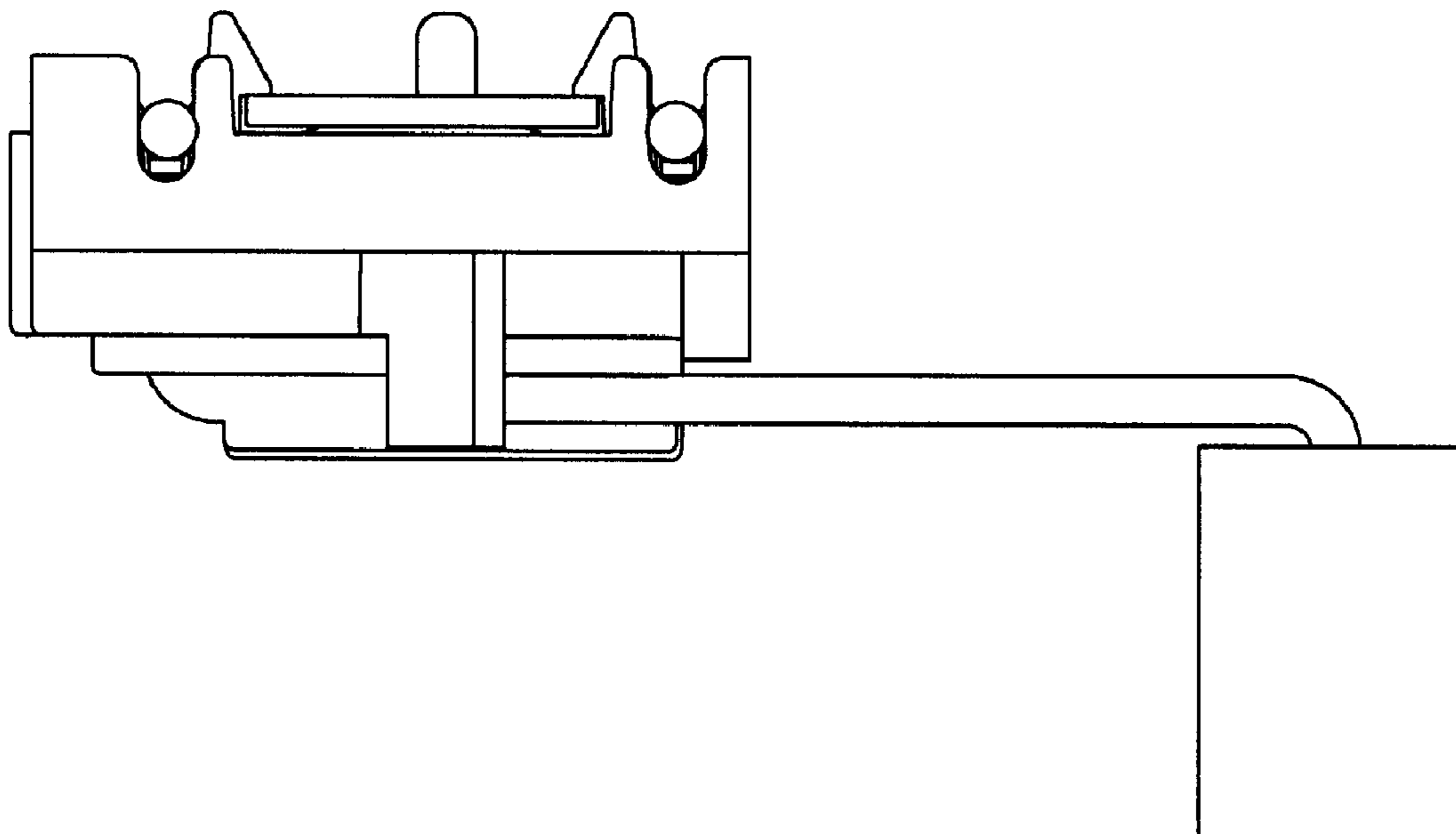


FIG. 1

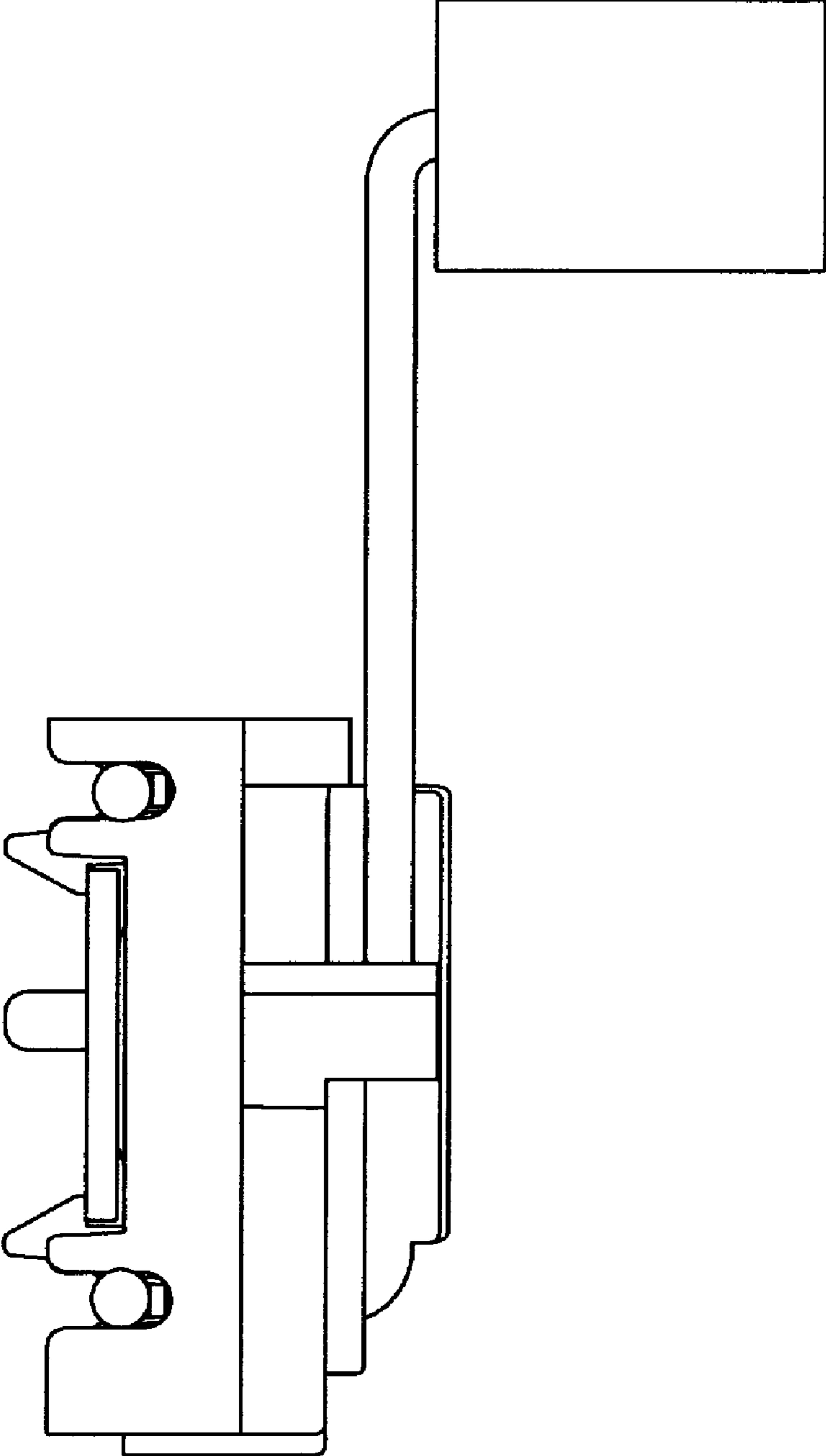


FIG. 2

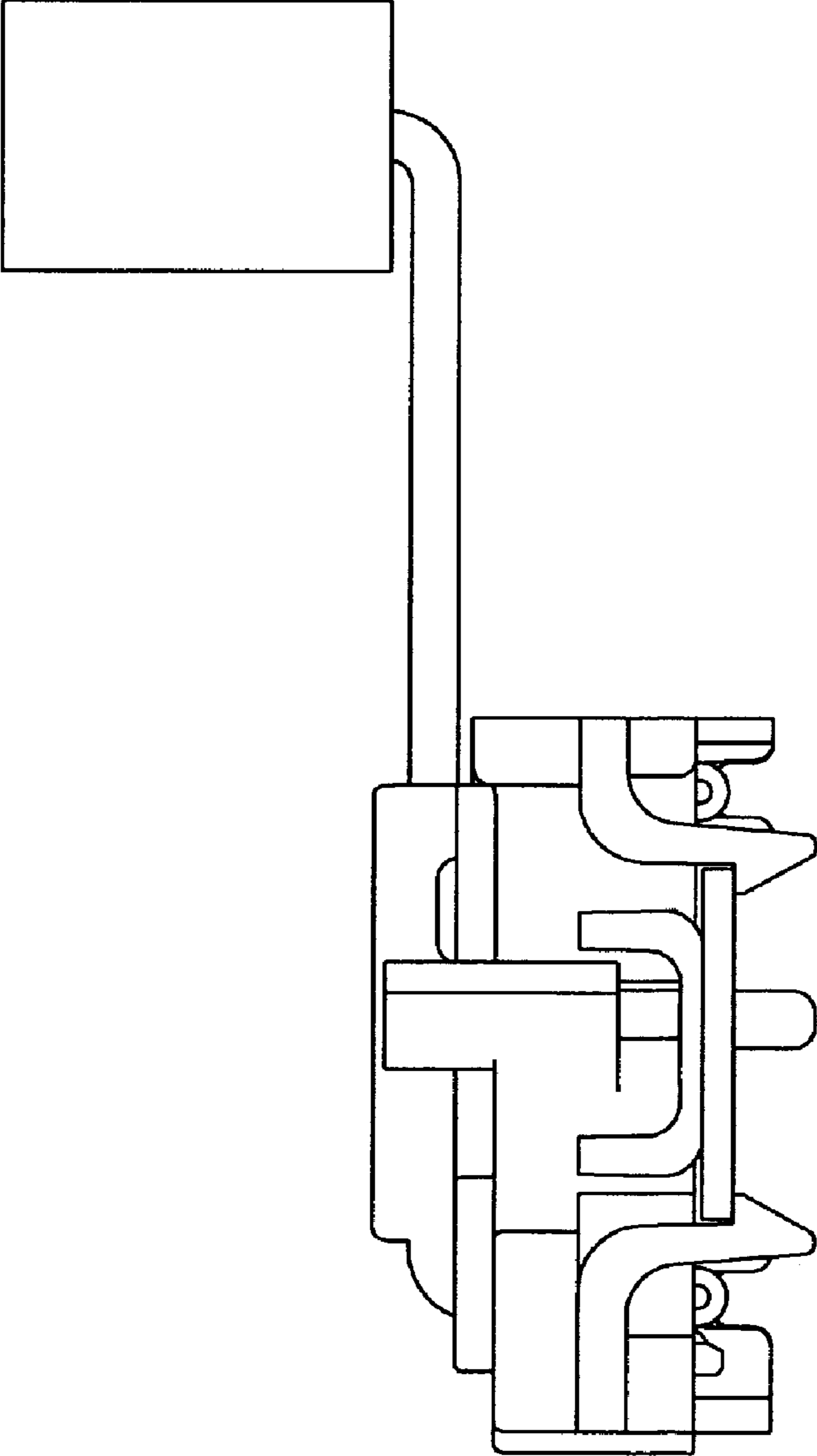
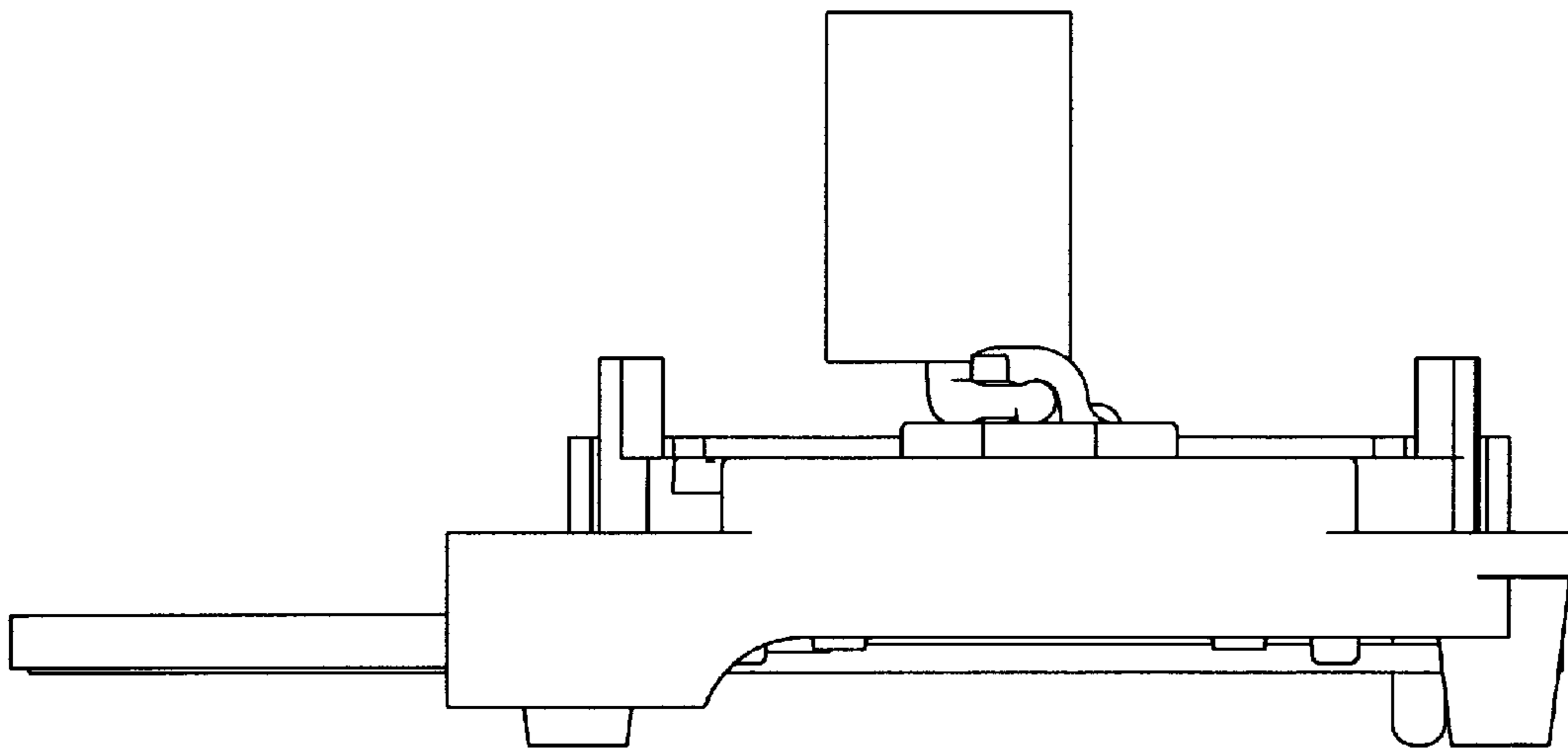


FIG. 3



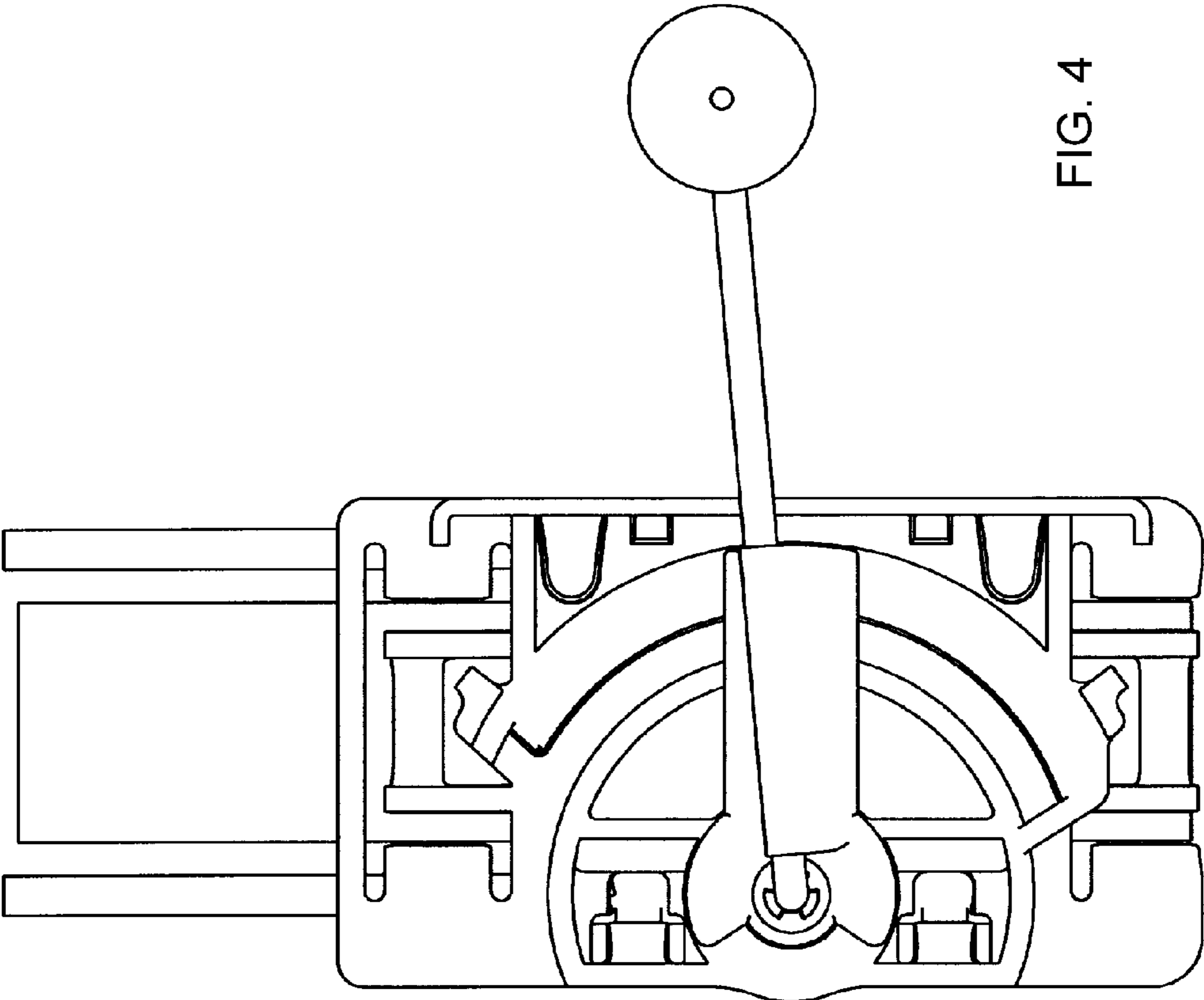


FIG. 4

FIG. 5

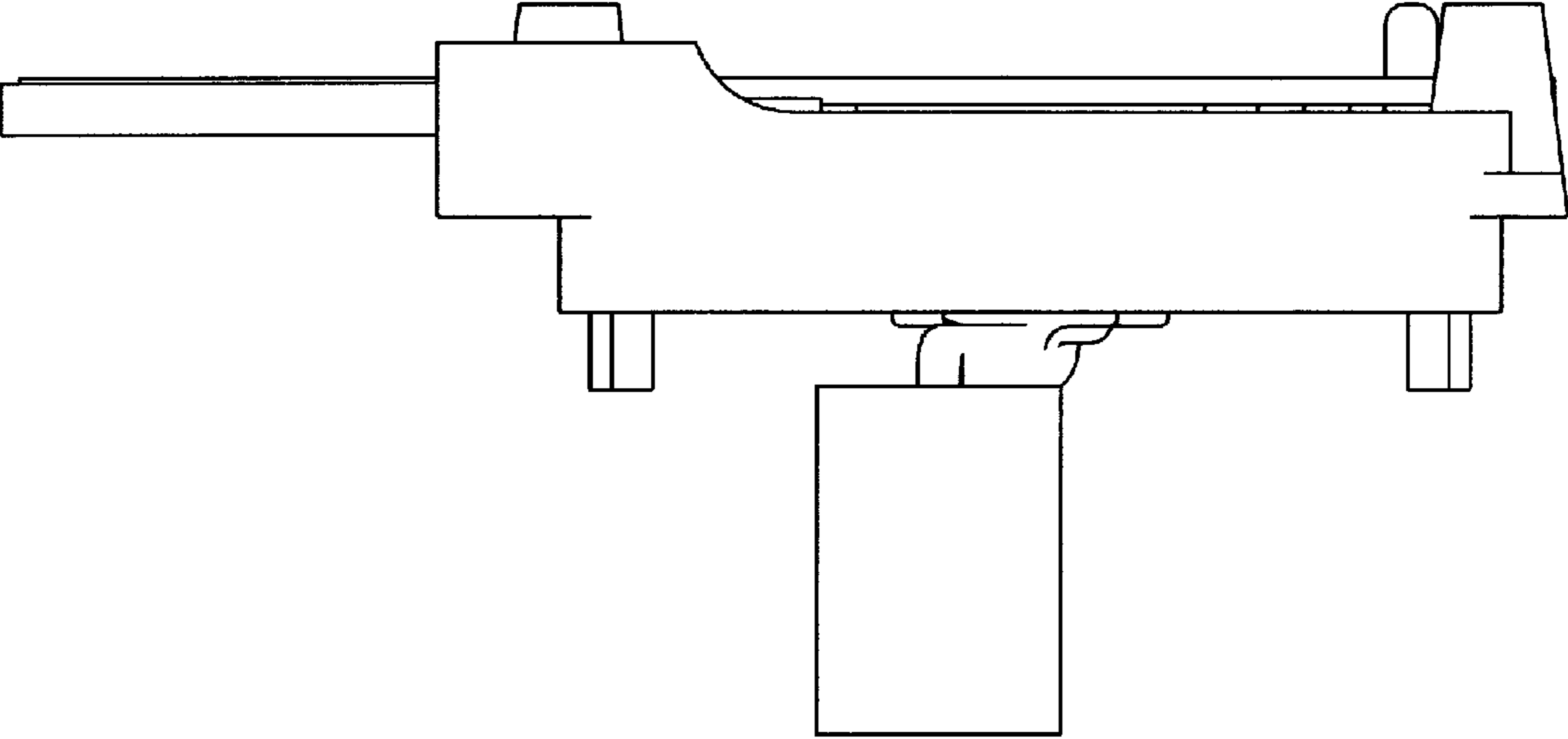
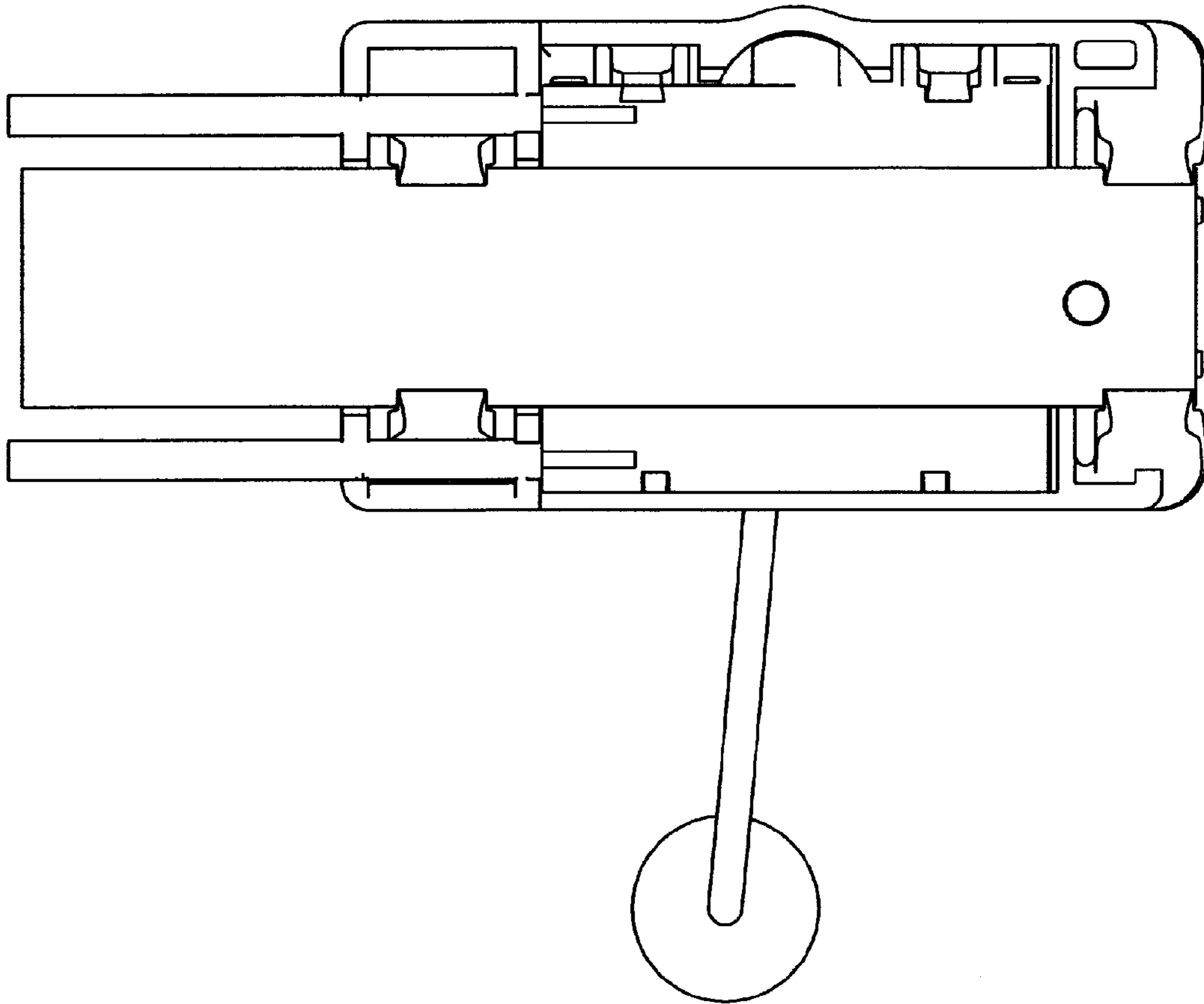


FIG. 6



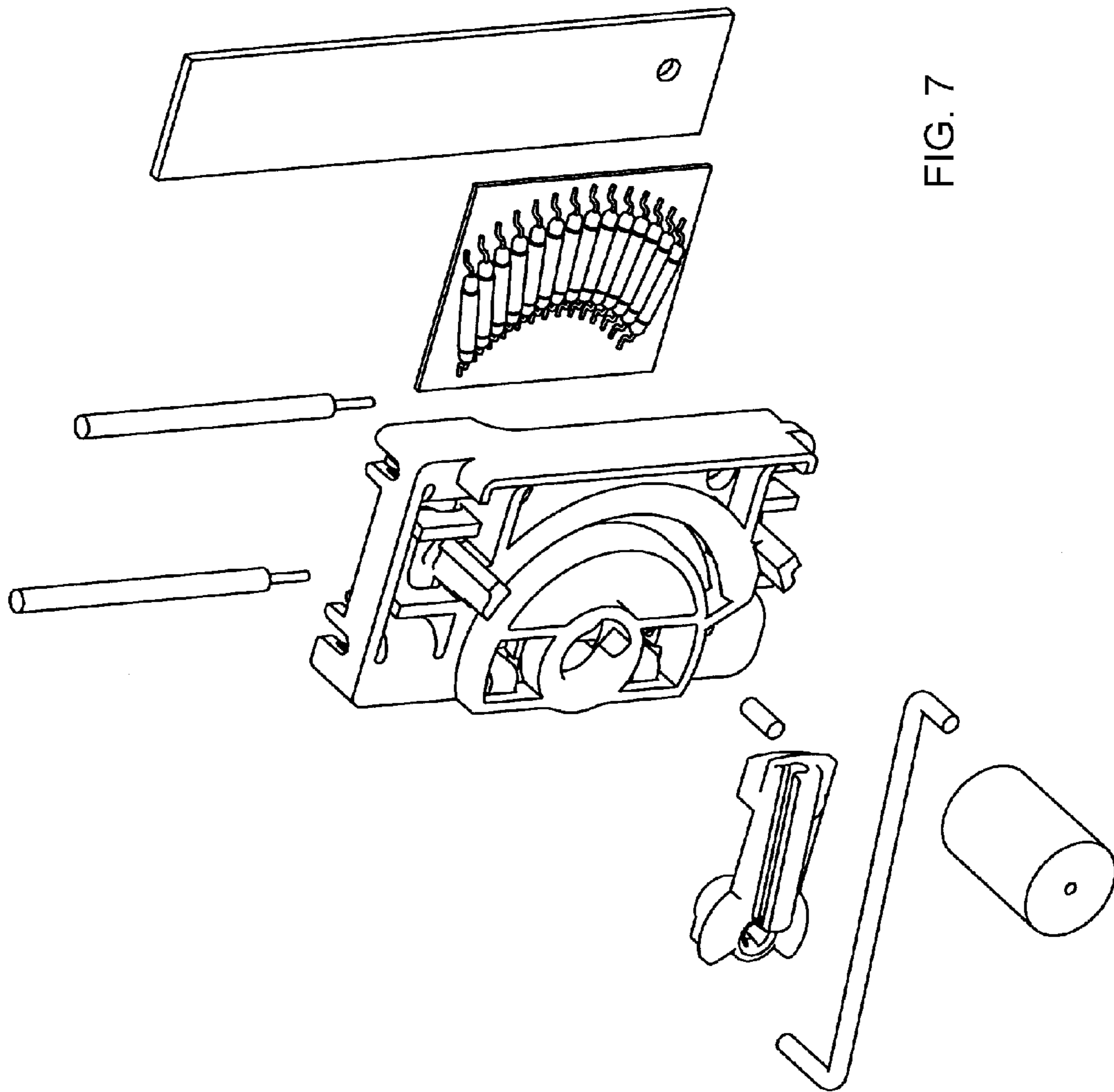


FIG. 7



FIG. 8

