



US00D557155S

(12) **United States Design Patent**  
**Sa'ar**

(10) **Patent No.:** **US D557,155 S**

(45) **Date of Patent:** **\*\* Dec. 11, 2007**

(54) **END HOOKS FOR MEASURING TAPE**

GB WO 90 04501 3/1990

GB 2 272 290 A 5/1994

(75) Inventor: **Uri Sa'ar**, Ra'anana (IL)

NL 1 003 305 7/1997

(73) Assignee: **Kapro Industries, Ltd**, Hakarem (IL)

(\*\*) Term: **14 Years**

\* cited by examiner

(21) Appl. No.: **29/255,846**

*Primary Examiner*—Antoine D. Davis

(22) Filed: **Mar. 14, 2006**

(74) *Attorney, Agent, or Firm*—Harold Novick; The Nath Law Group

(30) **Foreign Application Priority Data**

(57) **CLAIM**

Oct. 16, 2005 (IL) ..... 41512  
Oct. 16, 2005 (IL) ..... 41513

The ornamental design for end hooks for measuring tape, as shown and described.

(51) **LOC (8) Cl.** ..... **10-04**

(52) **U.S. Cl.** ..... **D10/74**

(58) **Field of Classification Search** ..... D10/71-72,  
D10/74; 33/483-494, 755-770, DIG. 1;  
242/292, 381.1, 381.2, 381.3, 381.4, 381.5,  
242/381.6

**DESCRIPTION**

See application file for complete search history.

FIG. 1 is a top perspective view of an end hook for measuring tape according to a first embodiment;

FIG. 2 is a side elevation view thereof;

FIG. 3 is a front elevation view thereof;

FIG. 4 is a top plan view thereof;

FIG. 5 is a bottom plan view thereof;

FIG. 6 is a top perspective view of an end hook for measuring tape according to a second embodiment;

FIG. 7 is a side elevation view thereof;

FIG. 8 is a front elevation view thereof;

FIG. 9 is a top plan view thereof; and,

FIG. 10 is a bottom plan view thereof.

The broken line showing of a portion of the measuring tape is included for the purpose of illustrating non-claimed subject matter and forms no part of the claimed design.

(56) **References Cited**

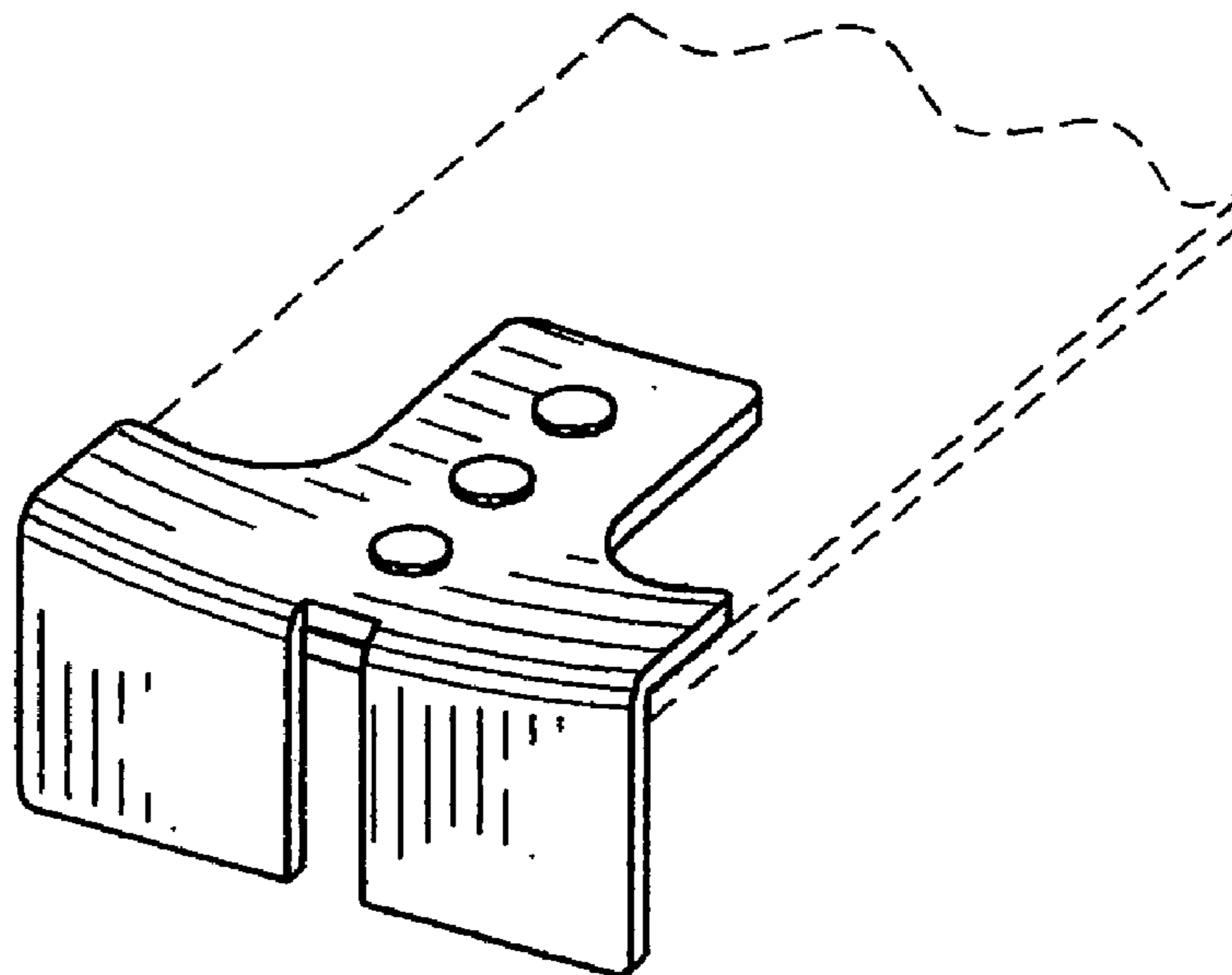
**U.S. PATENT DOCUMENTS**

14,947 A \* 5/1856 Ballou ..... 425/444  
2,770,883 A 11/1956 Hackney  
3,457,649 A 7/1969 Rodgers  
5,027,526 A 7/1991 Crane  
5,142,793 A 9/1992 Crane  
5,606,803 A 3/1997 O'Sullivan  
5,787,599 A 8/1998 Clifton  
5,848,481 A 12/1998 Parsons et al.  
6,212,787 B1 \* 4/2001 Dixon ..... 33/759  
2001/0042315 A1 11/2001 Dixon

**FOREIGN PATENT DOCUMENTS**

GB 10159 A 0/1911

**1 Claim, 2 Drawing Sheets**



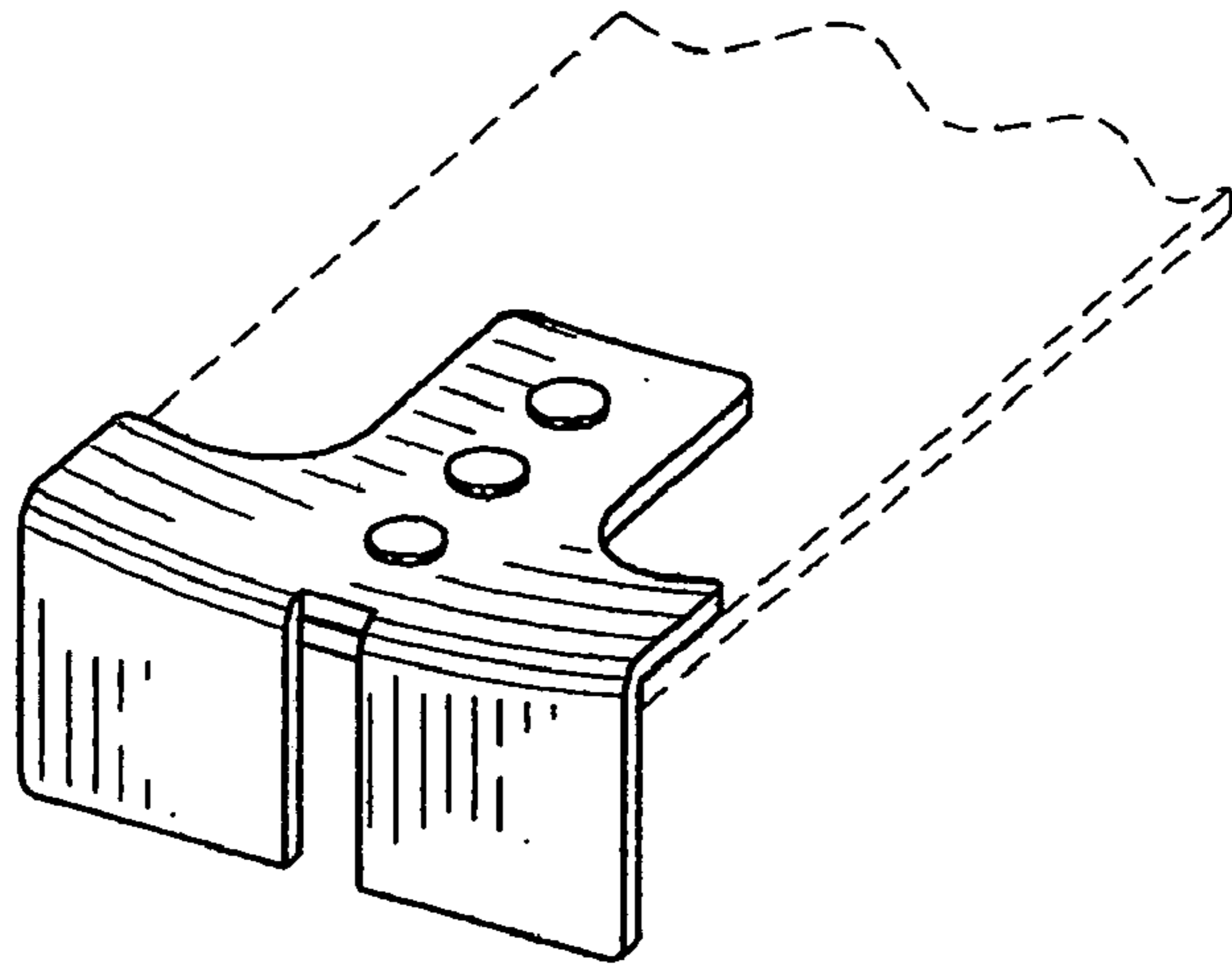


FIG.1

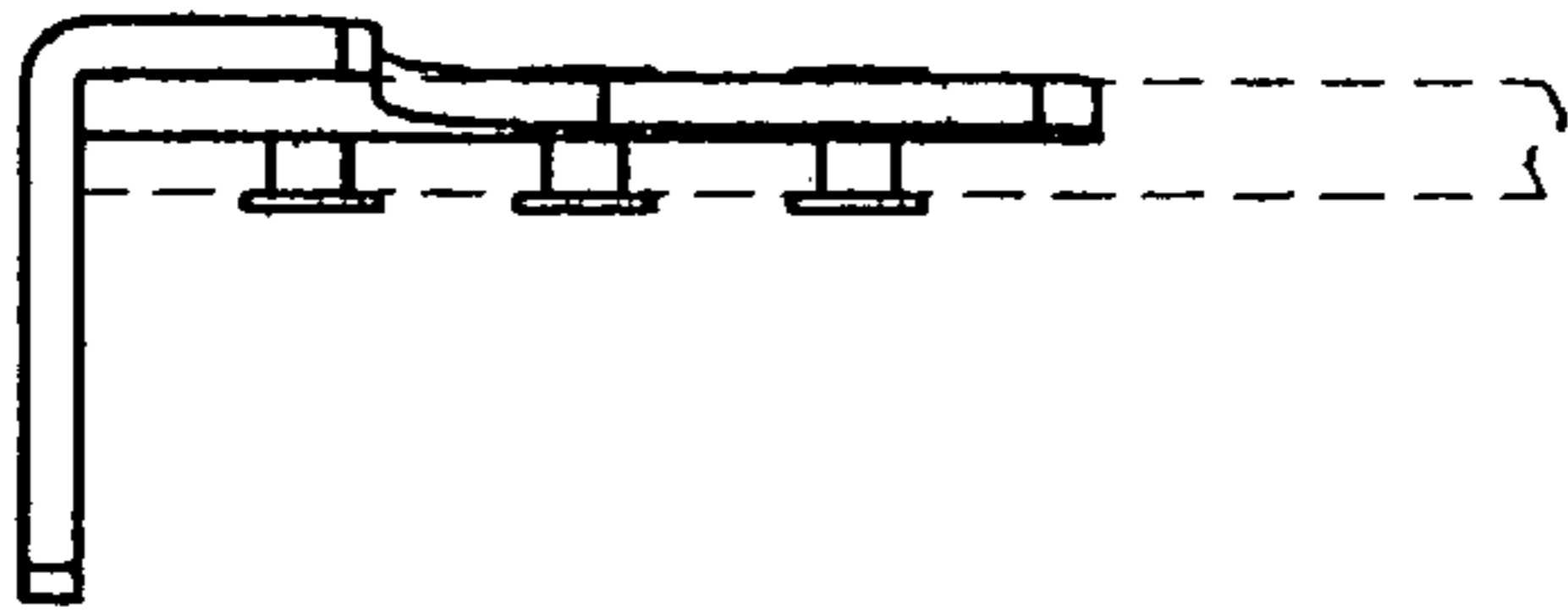


FIG.2

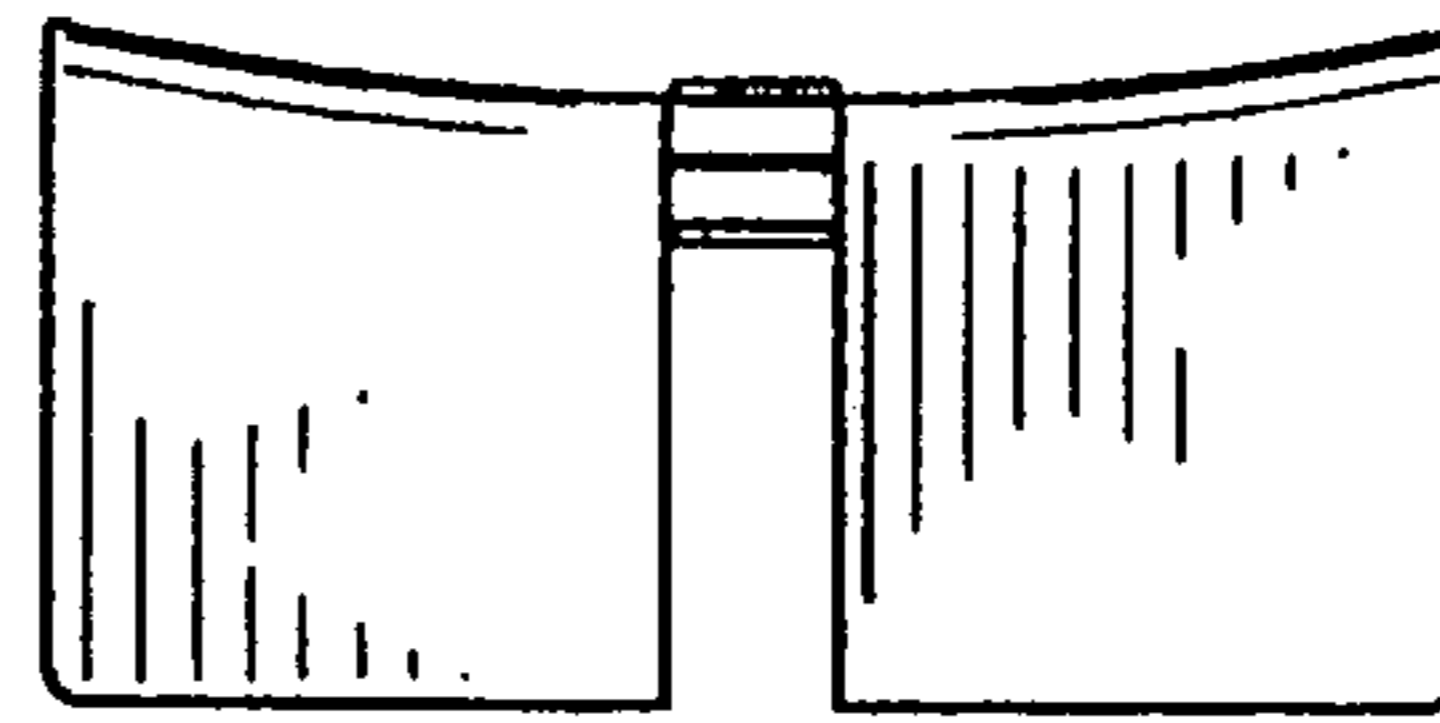


FIG.3

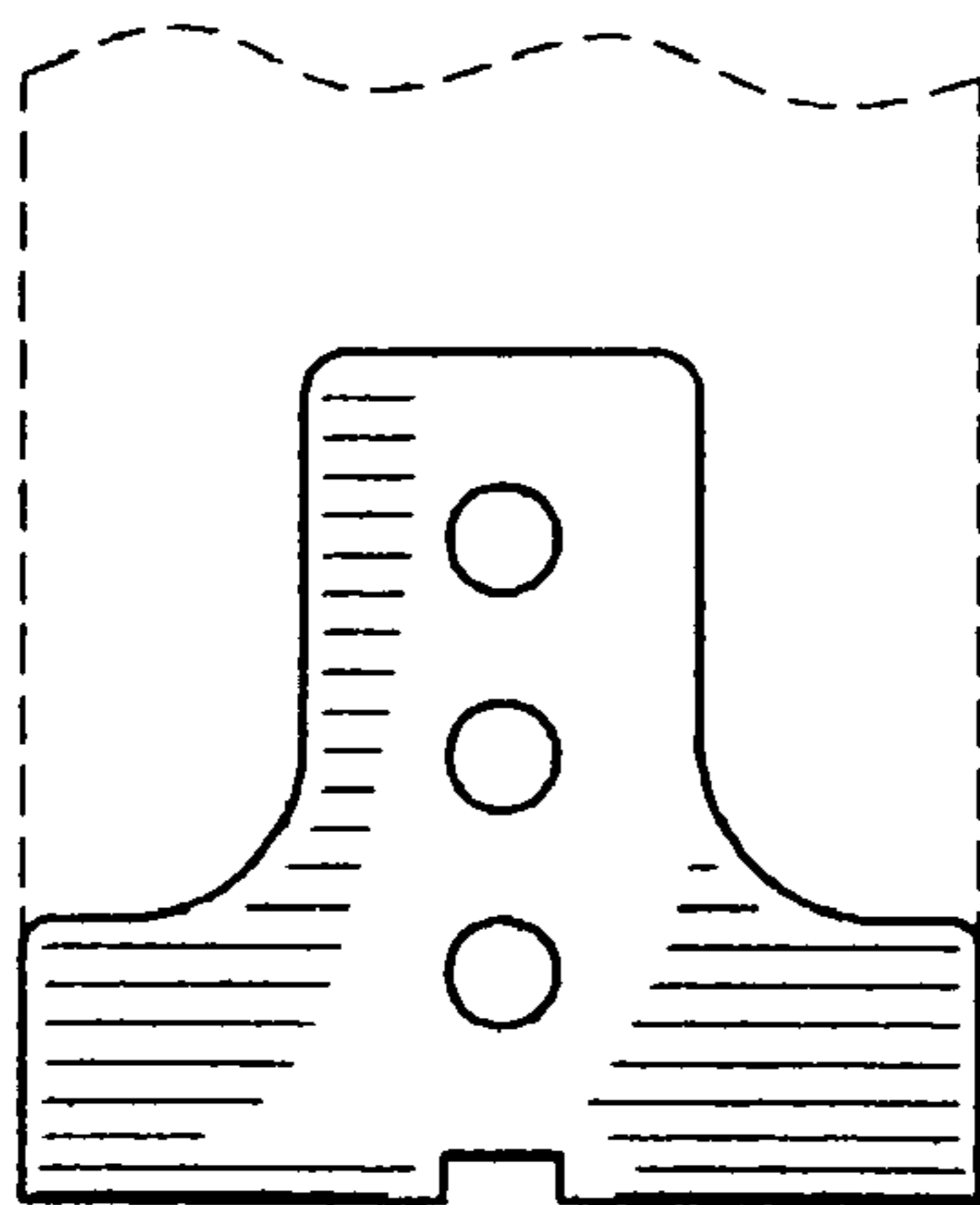


FIG.4

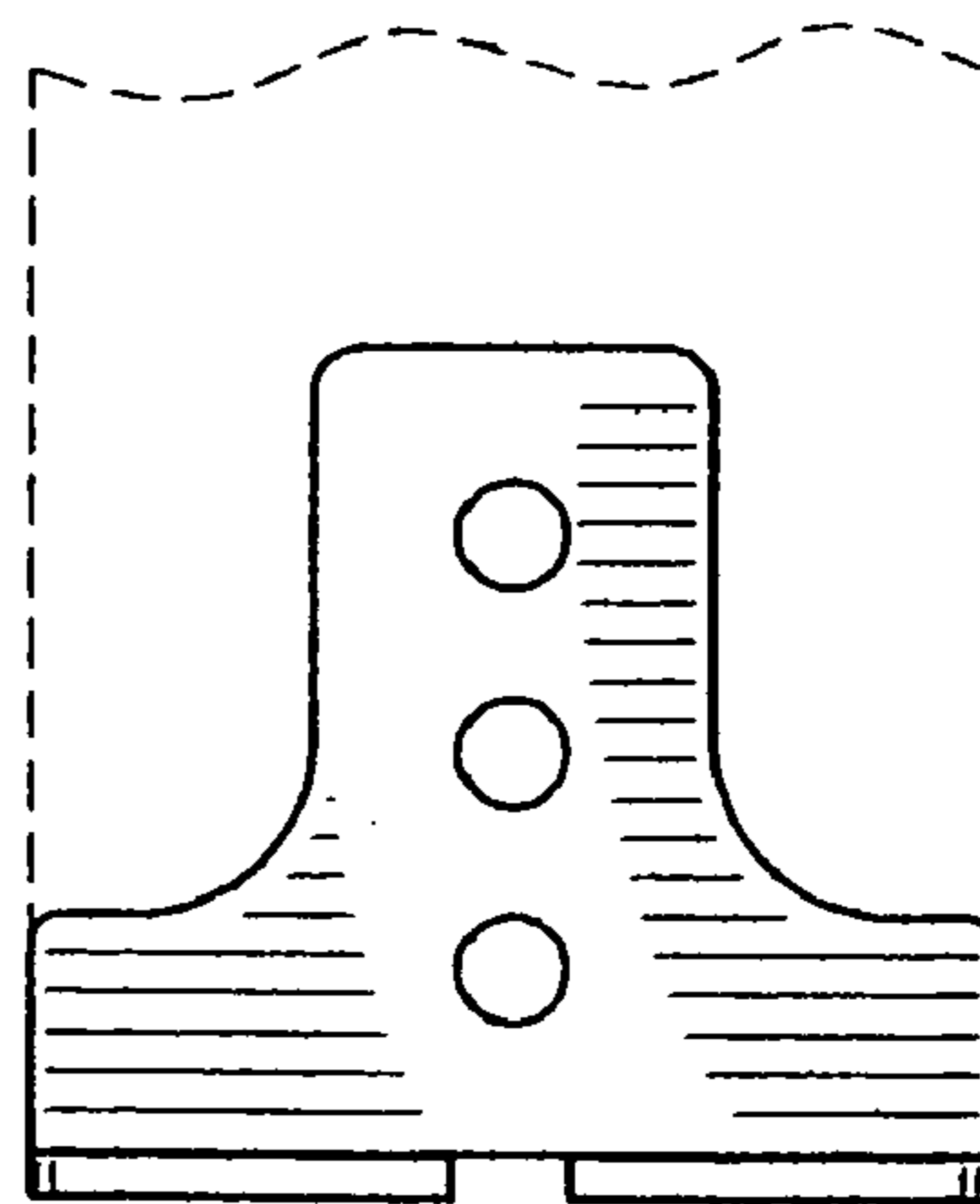


FIG.5

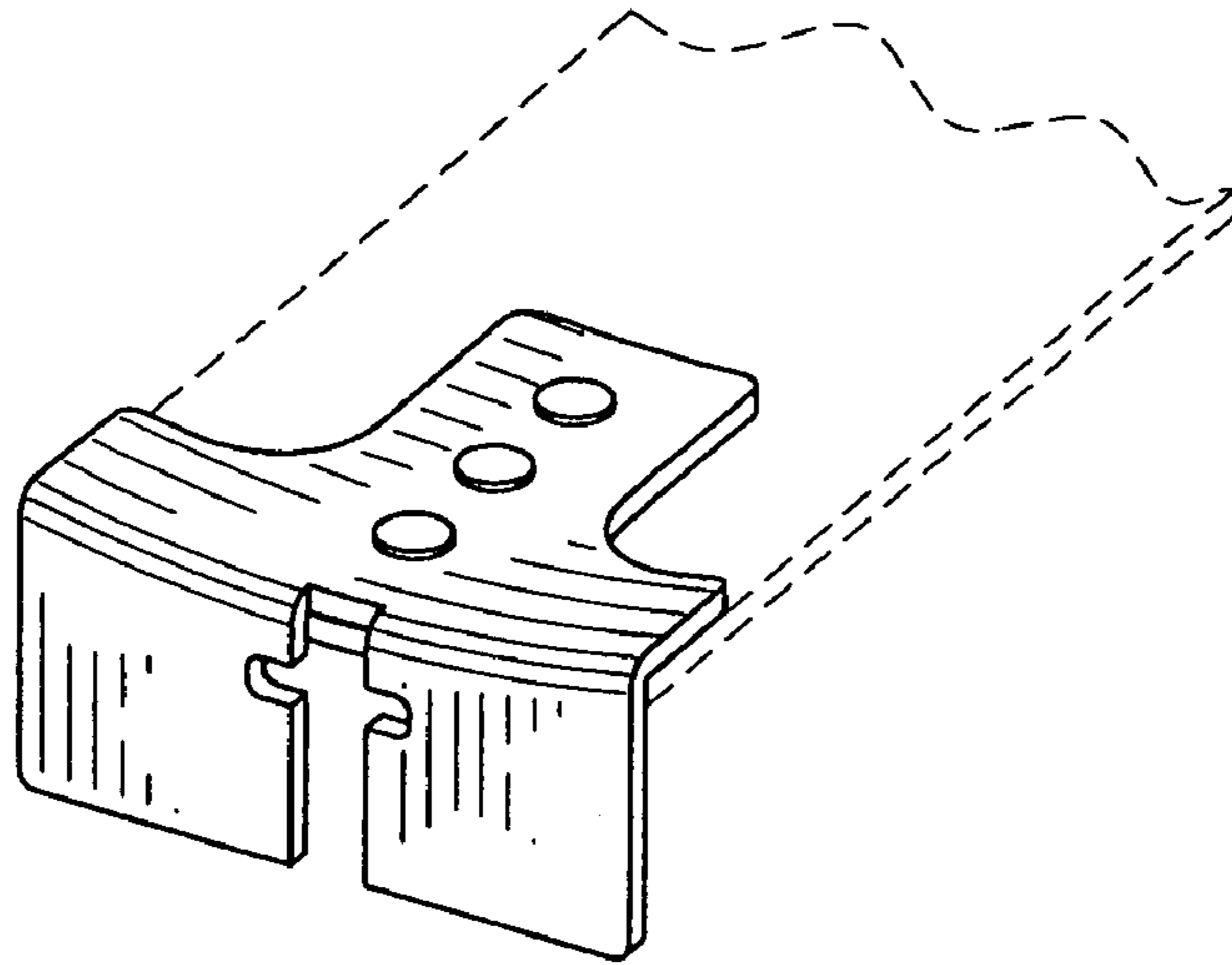


FIG. 6

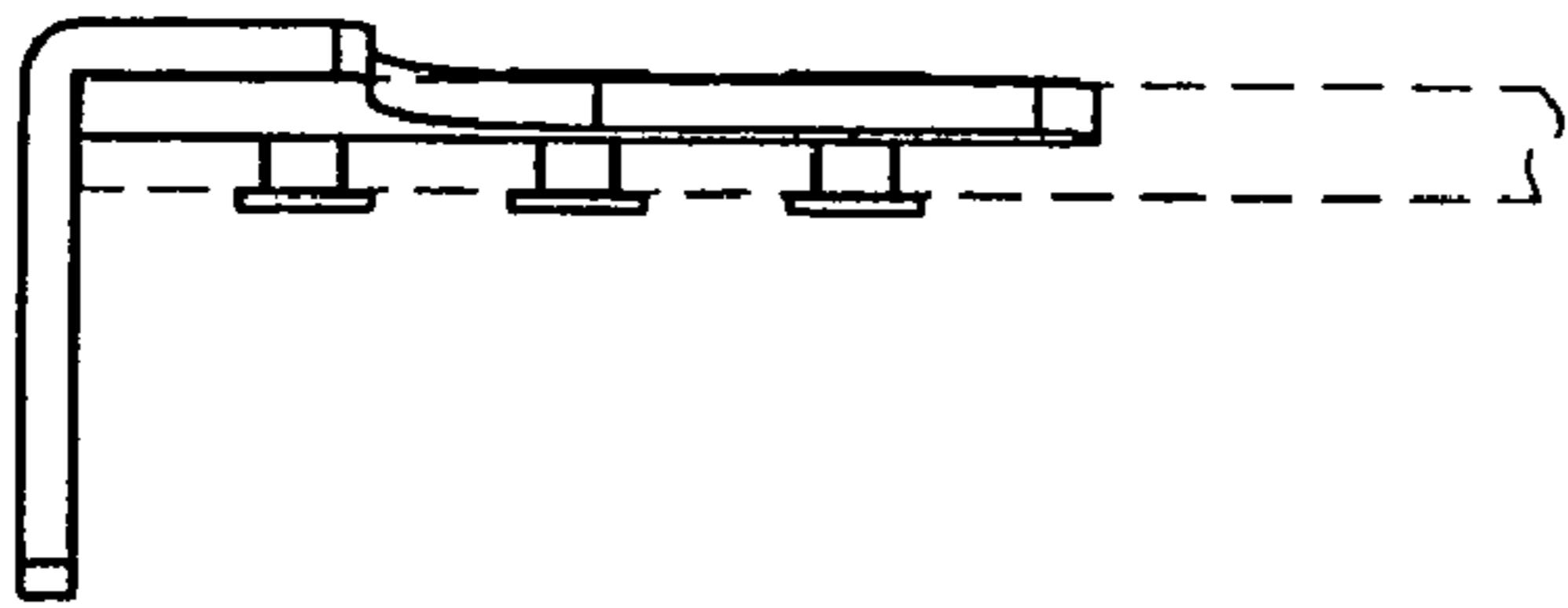


FIG. 7

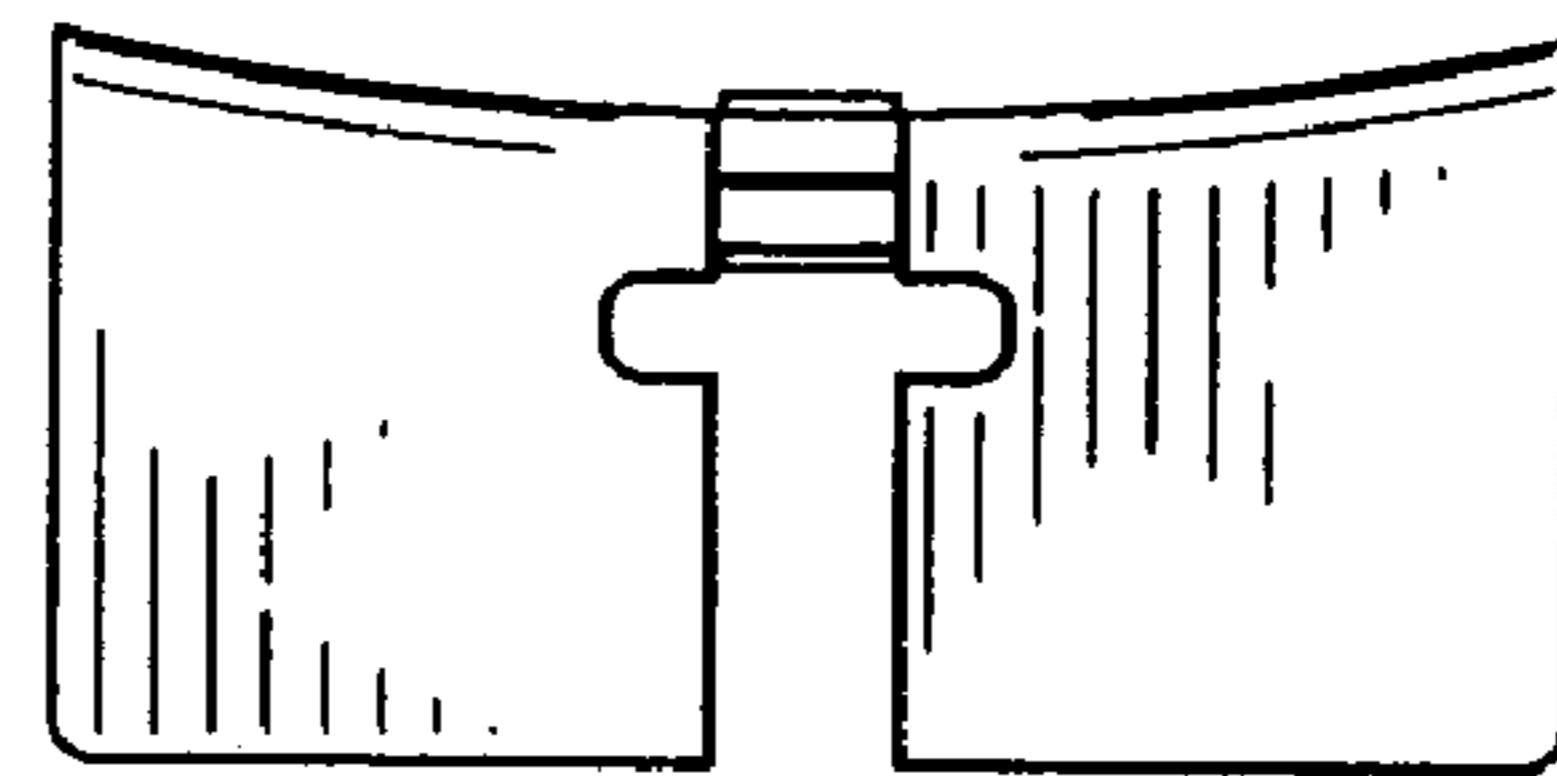


FIG. 8

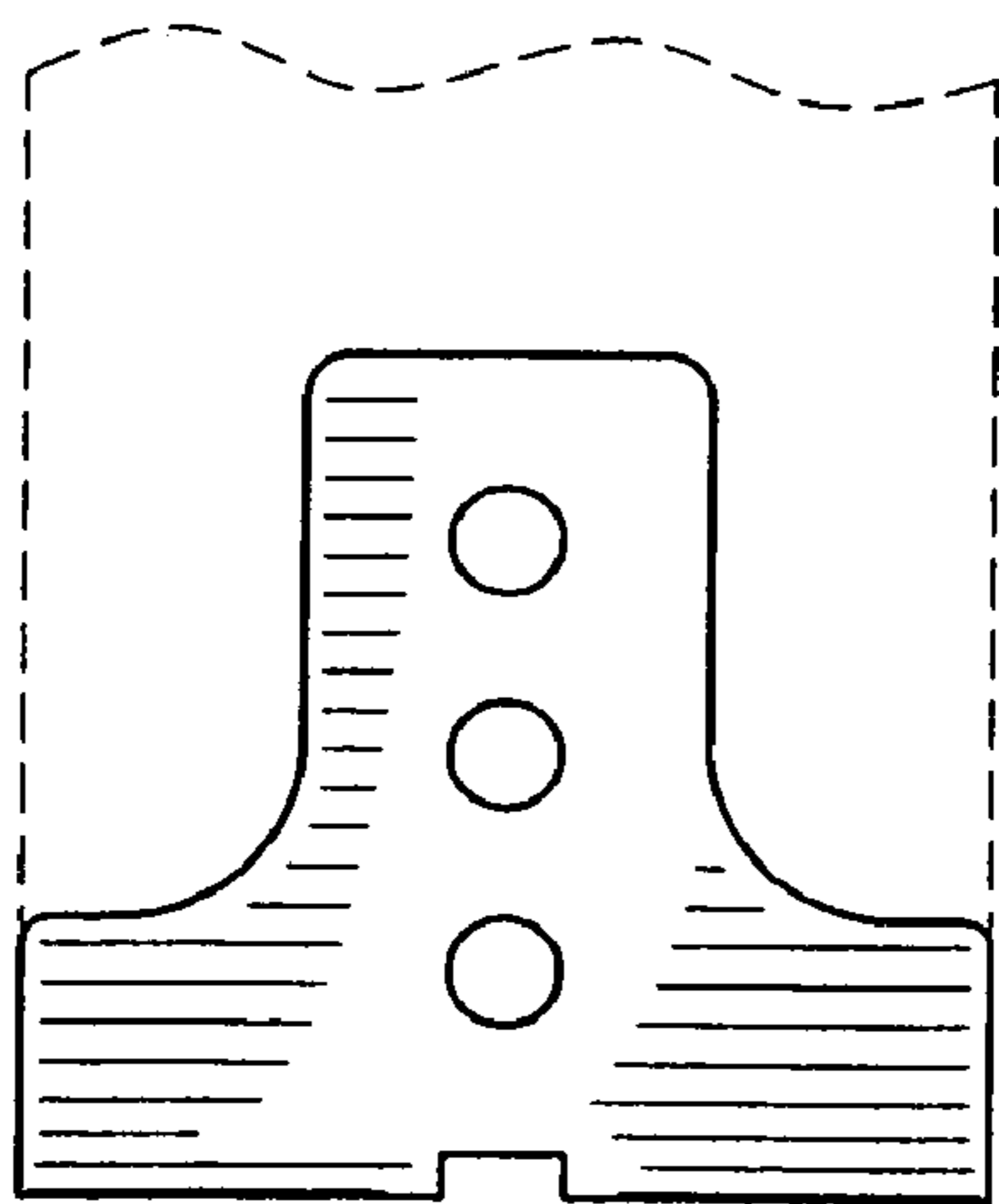


FIG. 9

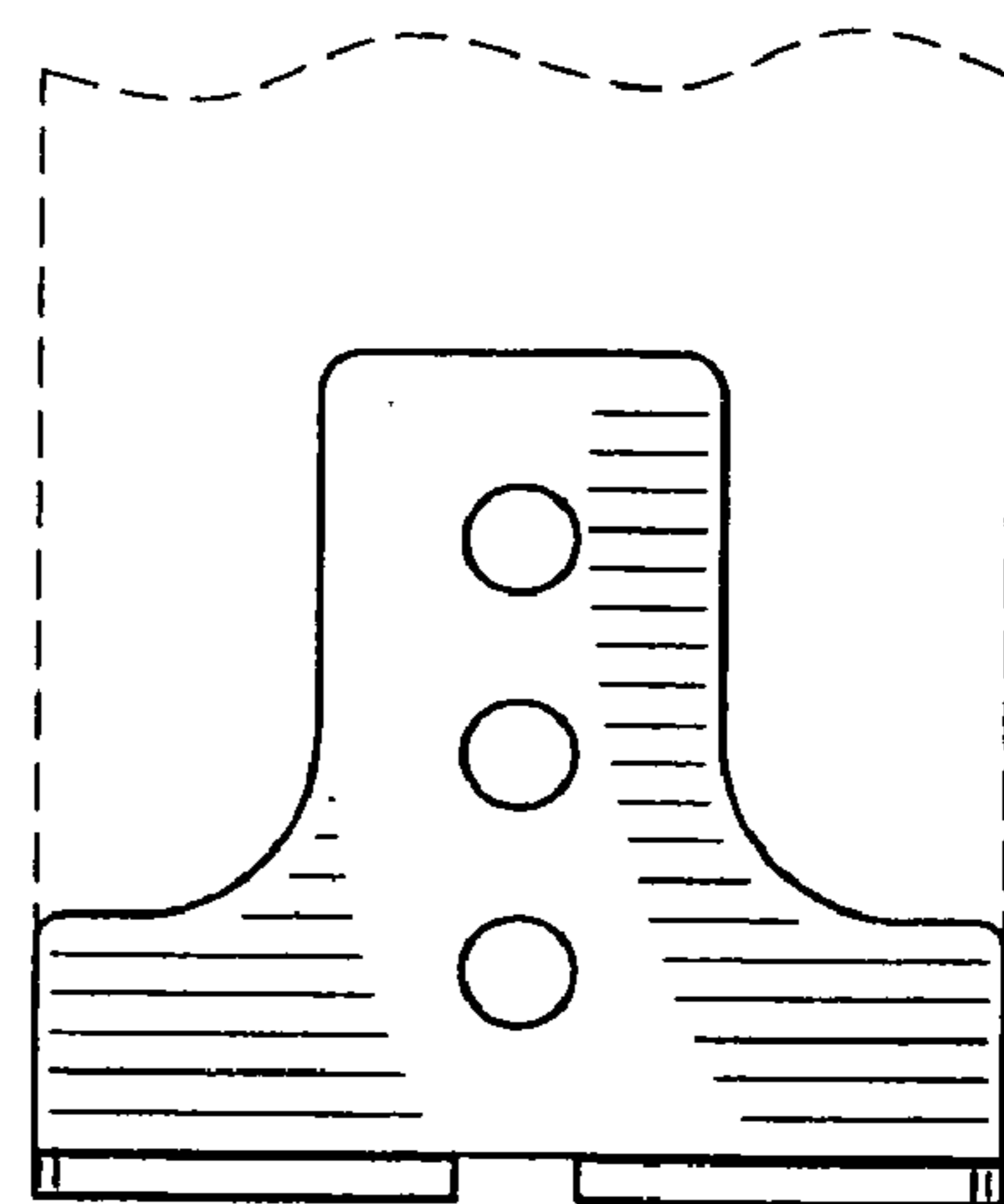


FIG. 10