



US00D557154S

(12) **United States Design Patent** (10) **Patent No.:** **US D557,154 S**  
**Elam** (45) **Date of Patent:** **\*\* Dec. 11, 2007**

(54) **TAPE MEASURE**

(75) Inventor: **Michael Elam**, London (GB)

(73) Assignee: **Fisco Tools Limited**, Essex (GB)

(\*\*) Term: **14 Years**

(21) Appl. No.: **29/247,763**

(22) Filed: **Jul. 10, 2006**

(30) **Foreign Application Priority Data**

Jan. 9, 2006 (EM) ..... 000462197-0001

(51) **LOC (8) Cl.** ..... **10-04**

(52) **U.S. Cl.** ..... **D10/72**

(58) **Field of Classification Search** ..... D10/72;  
33/755-771; 242/292, 381.1, 381.2-381.6

See application file for complete search history.

(56) **References Cited**

U.S. PATENT DOCUMENTS

6,732,965 B2 \* 5/2004 Bascue, Jr. .... 242/304

D524,666 S \* 7/2006 Huang ..... D10/72

\* cited by examiner

*Primary Examiner*—Antoine D. Davis

(74) *Attorney, Agent, or Firm*—Sterne, Kessler, Goldstein & Fox P.L.L.C.

(57) **CLAIM**

The ornamental design for a tape measure, as shown and described.

**DESCRIPTION**

FIG. 1 is a perspective view of a tape measure showing my new design;

FIG. 2 is a front view thereof;

FIG. 3 is a rear view thereof;

FIG. 4 is a bottom view thereof;

FIG. 5 is a right side view thereof;

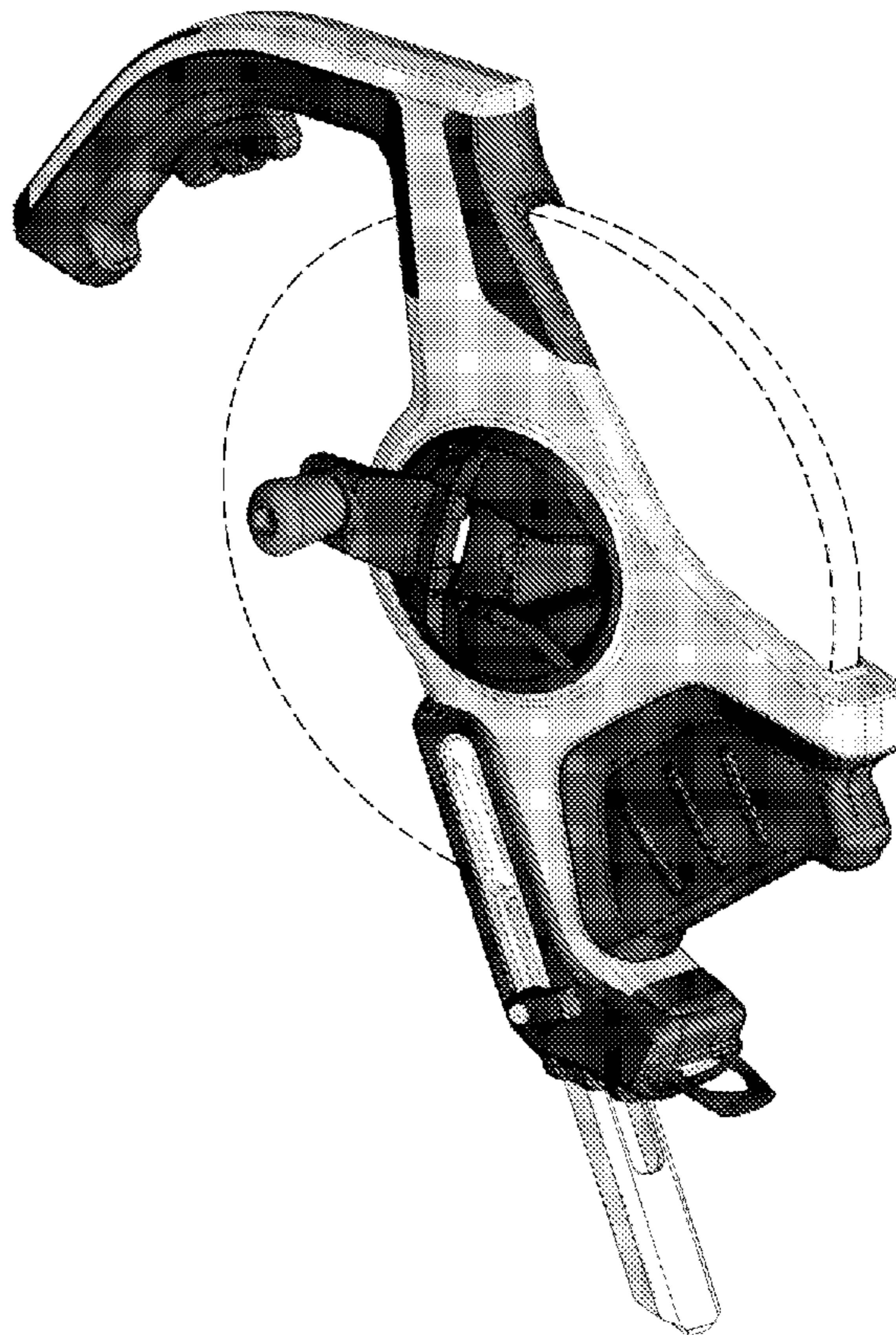
FIG. 6 is a left side view thereof; and,

FIG. 7 is a top plan thereof.

Please note that contrast and texture form no part of the claimed design in any of the Figures. The inventor anticipates that the invention can be any part, portion, element, or combination of elements of the depicted design.

The broken line showing of a tape roll is included for the purpose of illustrating non-claimed subject matter and forms no part of the claimed design.

**1 Claim, 7 Drawing Sheets**



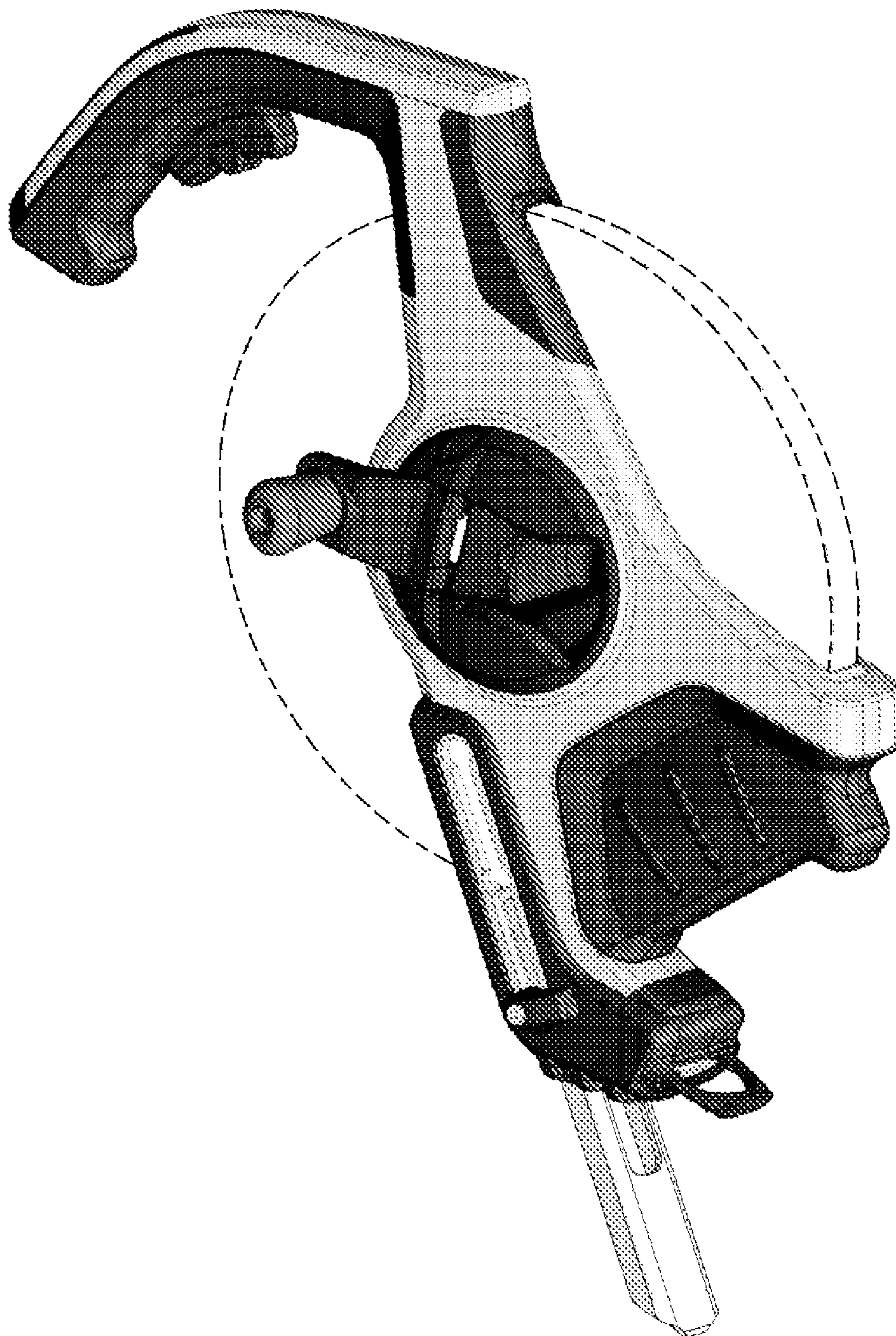


FIG. 1

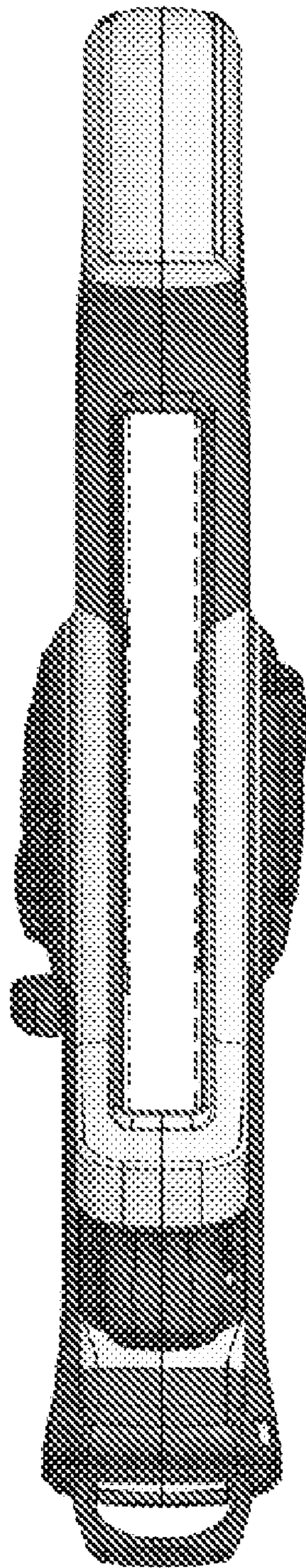


FIG. 2



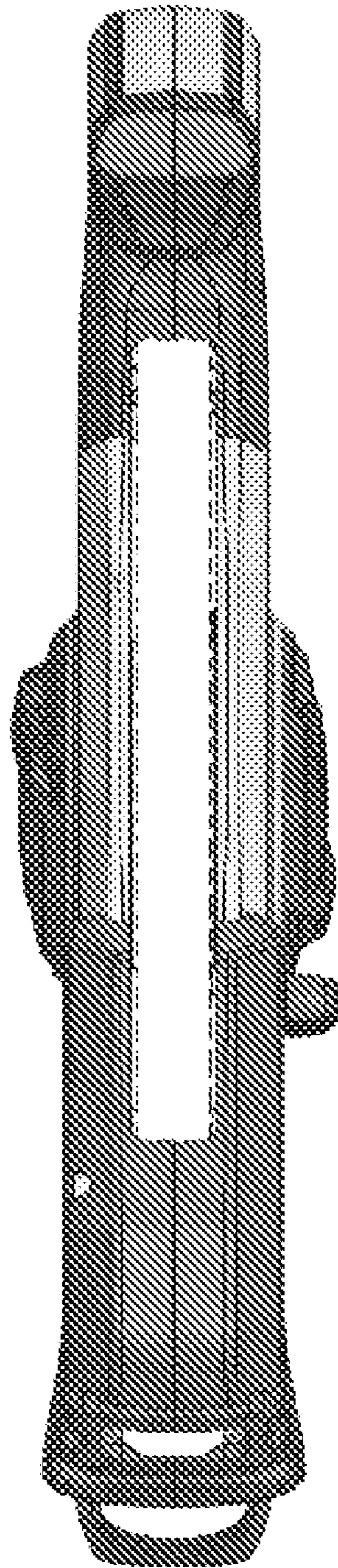


FIG. 3

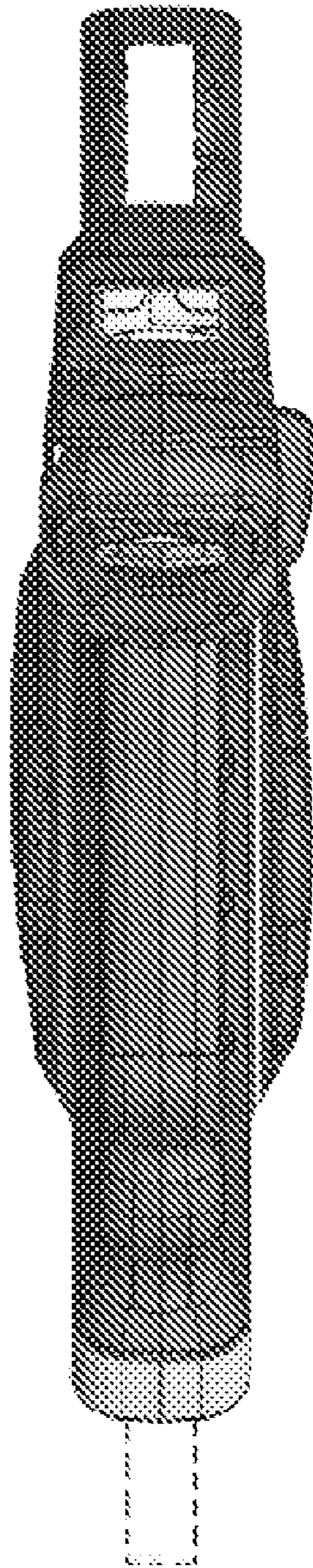


FIG. 4

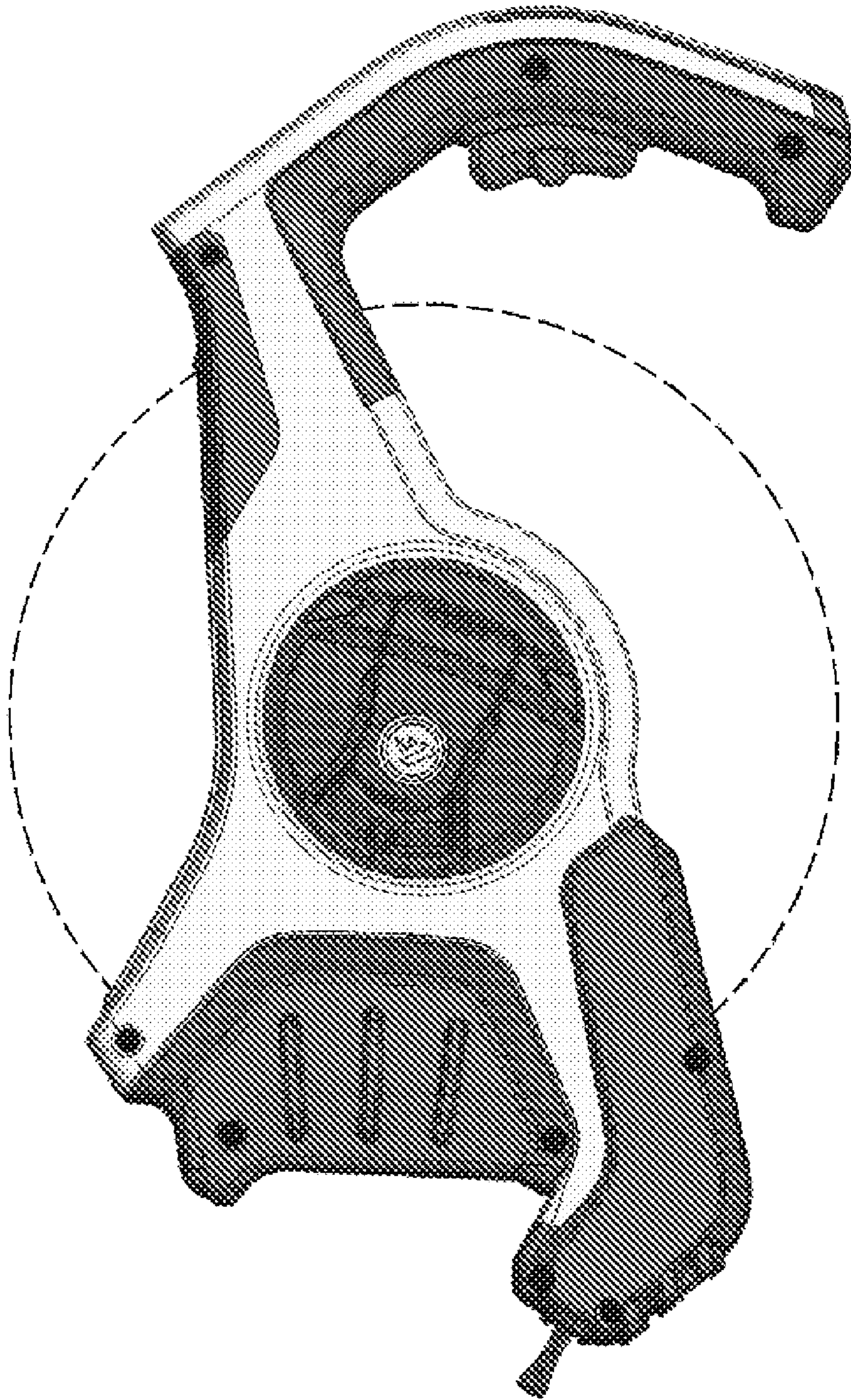


FIG. 5



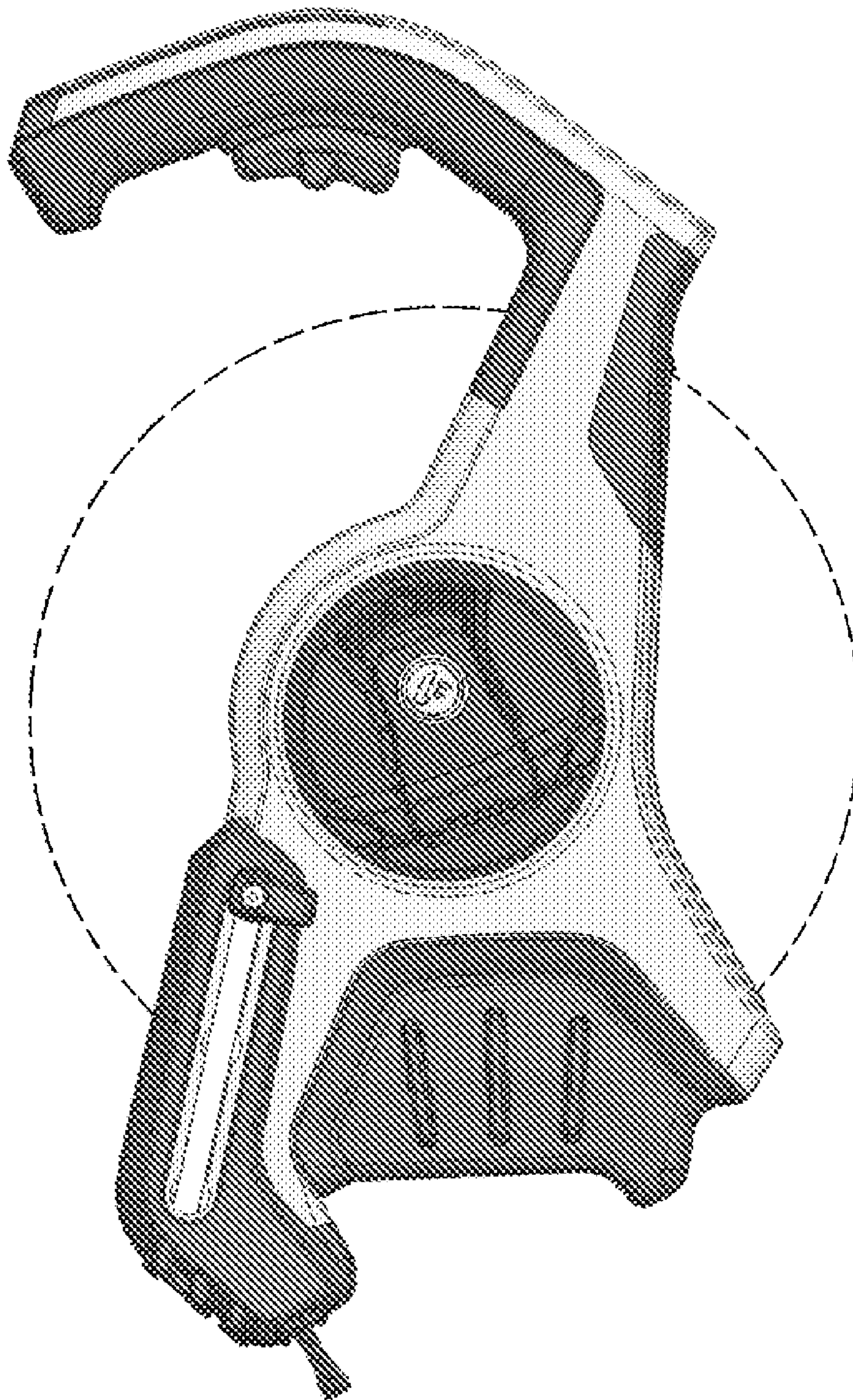


FIG. 6

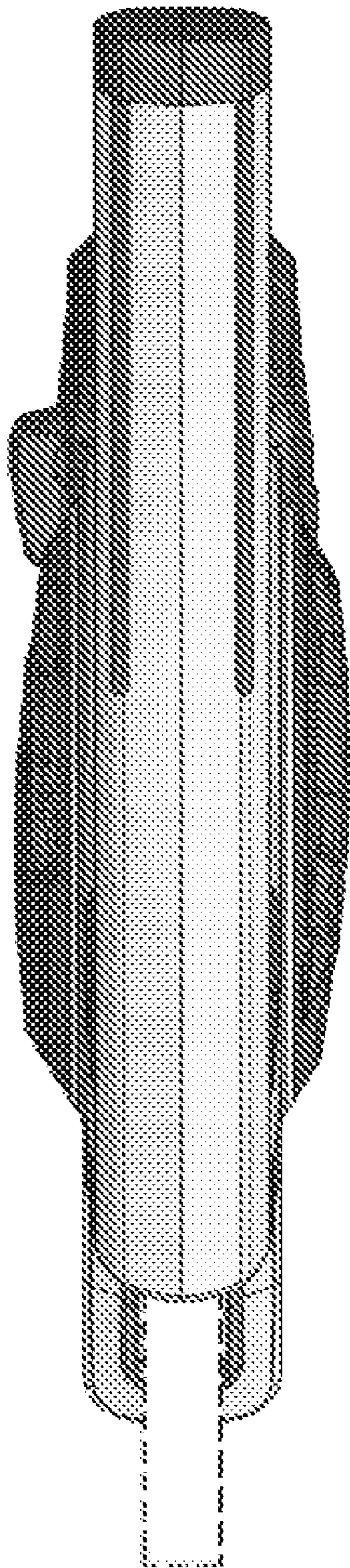


FIG. 7