



US00D557142S

(12) **United States Design Patent** (10) **Patent No.:** **US D557,142 S**  
**Karam** (45) **Date of Patent:** **\*\* Dec. 11, 2007**

(54) **LIQUID MEASURING CONTAINER**

(76) Inventor: **Anthony A. Karam**, 13085 31 Mile Rd., Washington, MI (US) 48095

(\*\*) Term: **14 Years**

(21) Appl. No.: **29/286,292**

(22) Filed: **May 1, 2007**

(51) **LOC (8) Cl.** ..... **09-01**

(52) **U.S. Cl.** ..... **D9/547**

(58) **Field of Classification Search** ..... D9/434,  
D9/516, 530, 531, 547, 745; D15/150, 152;  
215/40, 41, 200, 205, 217, 223, 241, 318,  
215/379, 380, 382-385, 396, 398; 220/200,  
220/260, 890; 222/6, 10, 92, 109, 158, 159,  
222/210, 212, 215, 568

See application file for complete search history.

(56) **References Cited**

**U.S. PATENT DOCUMENTS**

1,277,760 A 9/1918 Seraphin  
1,377,577 A 5/1921 Hanson  
4,105,142 A 8/1978 Morris, Jr.  
D306,558 S \* 3/1990 Beaston ..... D9/531  
5,123,460 A \* 6/1992 Reed ..... 215/365  
D345,114 S 3/1994 Puls  
5,330,081 A 7/1994 Davenport  
D400,434 S \* 11/1998 Amos et al. .... D9/745  
D404,640 S \* 1/1999 Dunnegan et al. .... D15/152

5,884,816 A 3/1999 Hinze  
D499,023 S 11/2004 Amos et al.  
D547,662 S \* 7/2007 Hankins et al. .... D9/531  
2002/0084283 A1 \* 7/2002 Giblin et al. .... 222/109  
2003/0132184 A1 \* 7/2003 Dorn et al. .... 215/10  
2007/0068897 A1 \* 3/2007 Miller et al. .... 215/398

\* cited by examiner

*Primary Examiner*—Antoine D. Davis

*Assistant Examiner*—Patricia Palasik

(74) *Attorney, Agent, or Firm*—VanOphem & VanOphem, P.C.

(57) **CLAIM**

The ornamental design for a liquid measuring container, as shown and described.

**DESCRIPTION**

FIG. 1 is a top, front, and left side perspective view of a liquid measuring container according to the invention;

FIG. 2 is a left elevation view of a liquid measuring container according to the invention;

FIG. 3 is a right elevation view thereof;

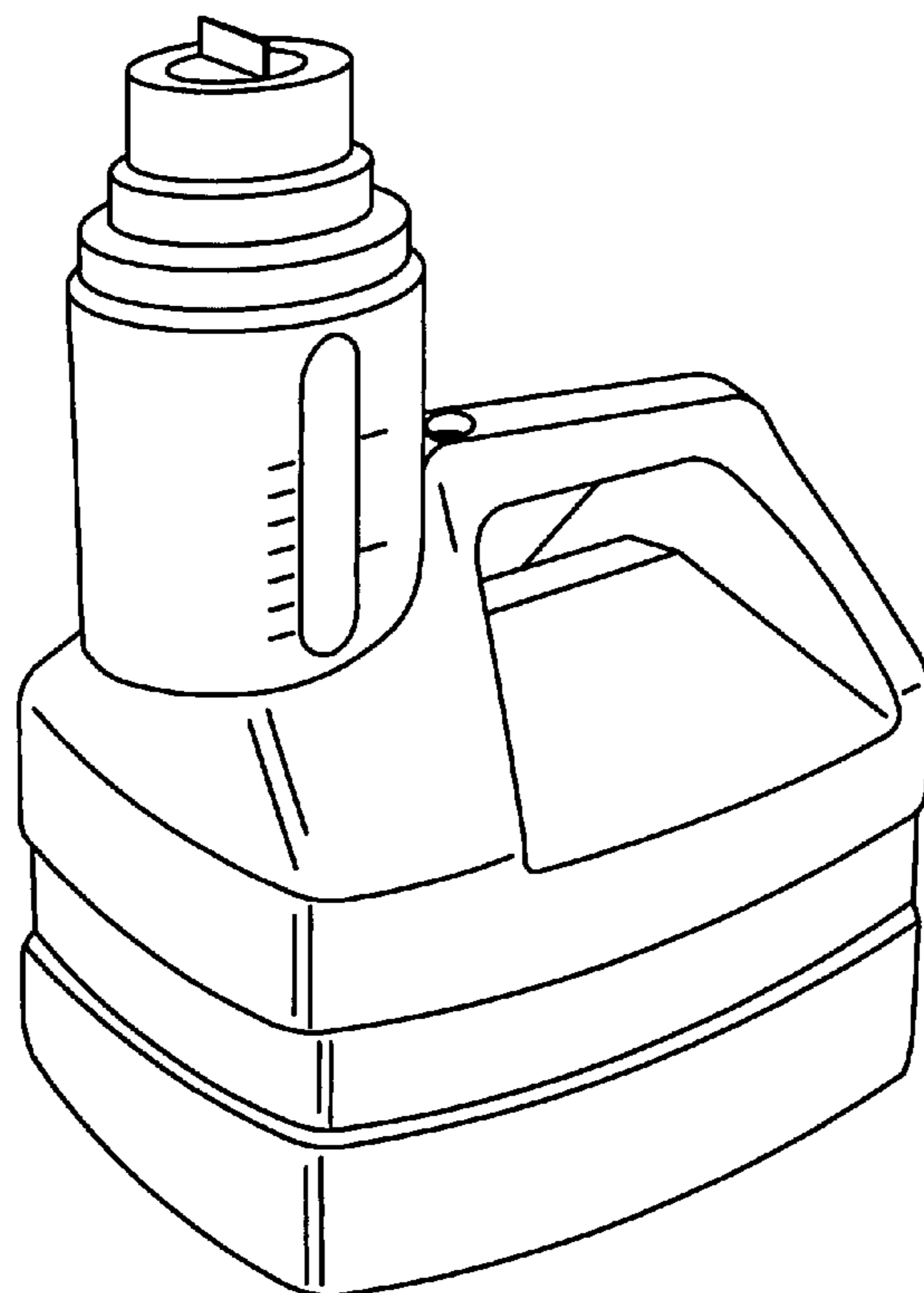
FIG. 4 is a front elevation view thereof;

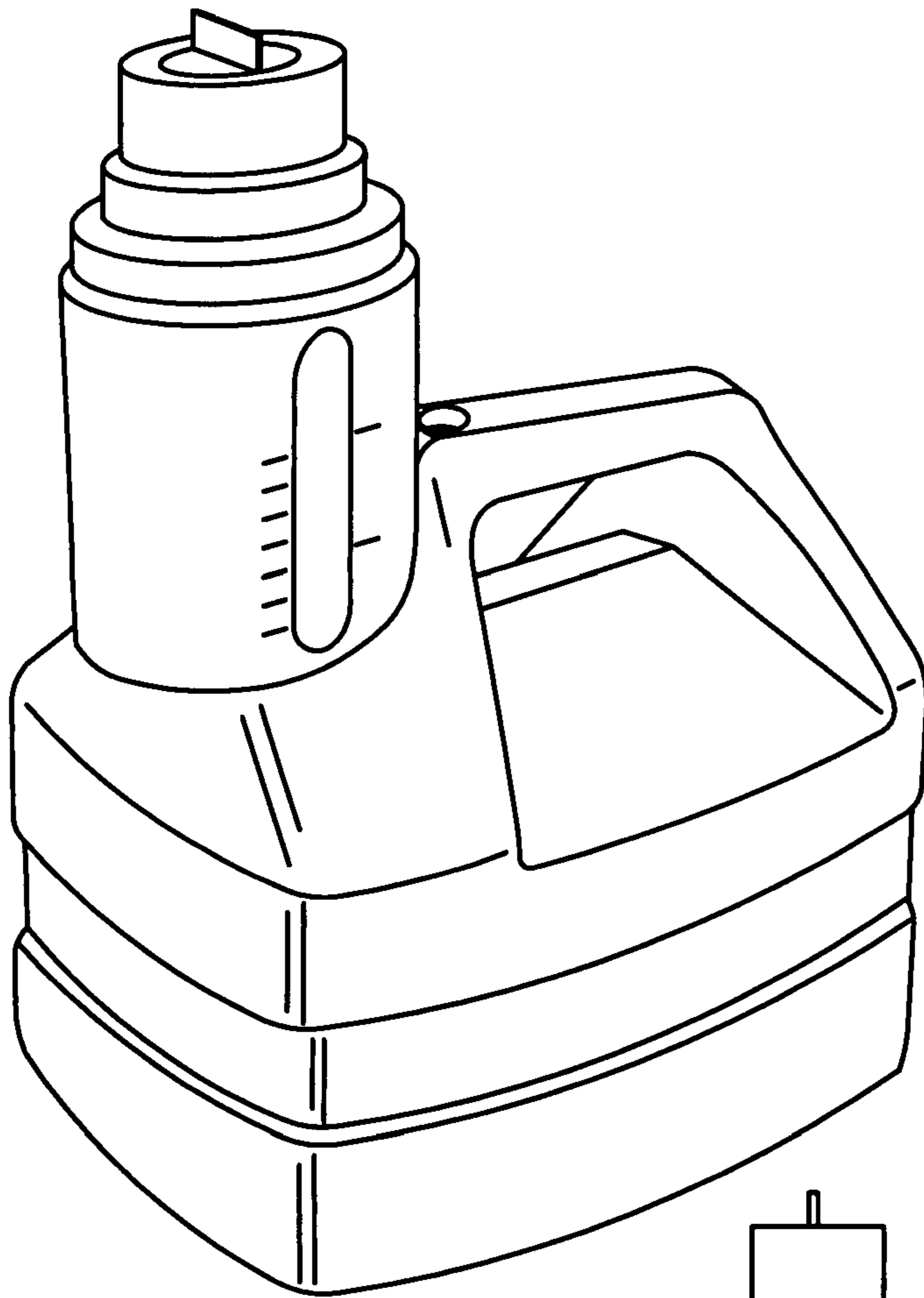
FIG. 5 is a top plan view thereof;

FIG. 6 is a rear elevation view thereof; and,

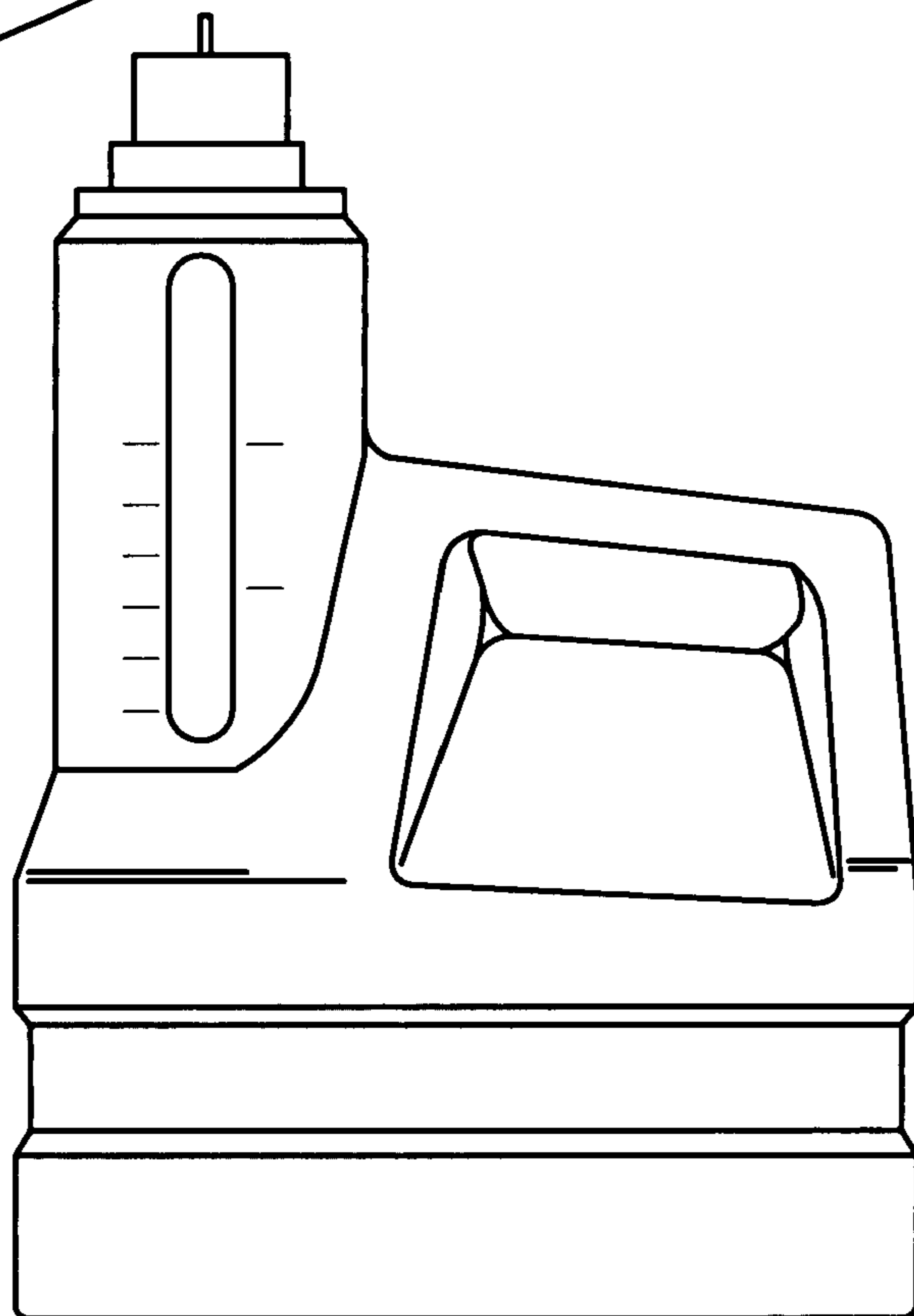
FIG. 7 is a bottom view thereof.

**1 Claim, 3 Drawing Sheets**

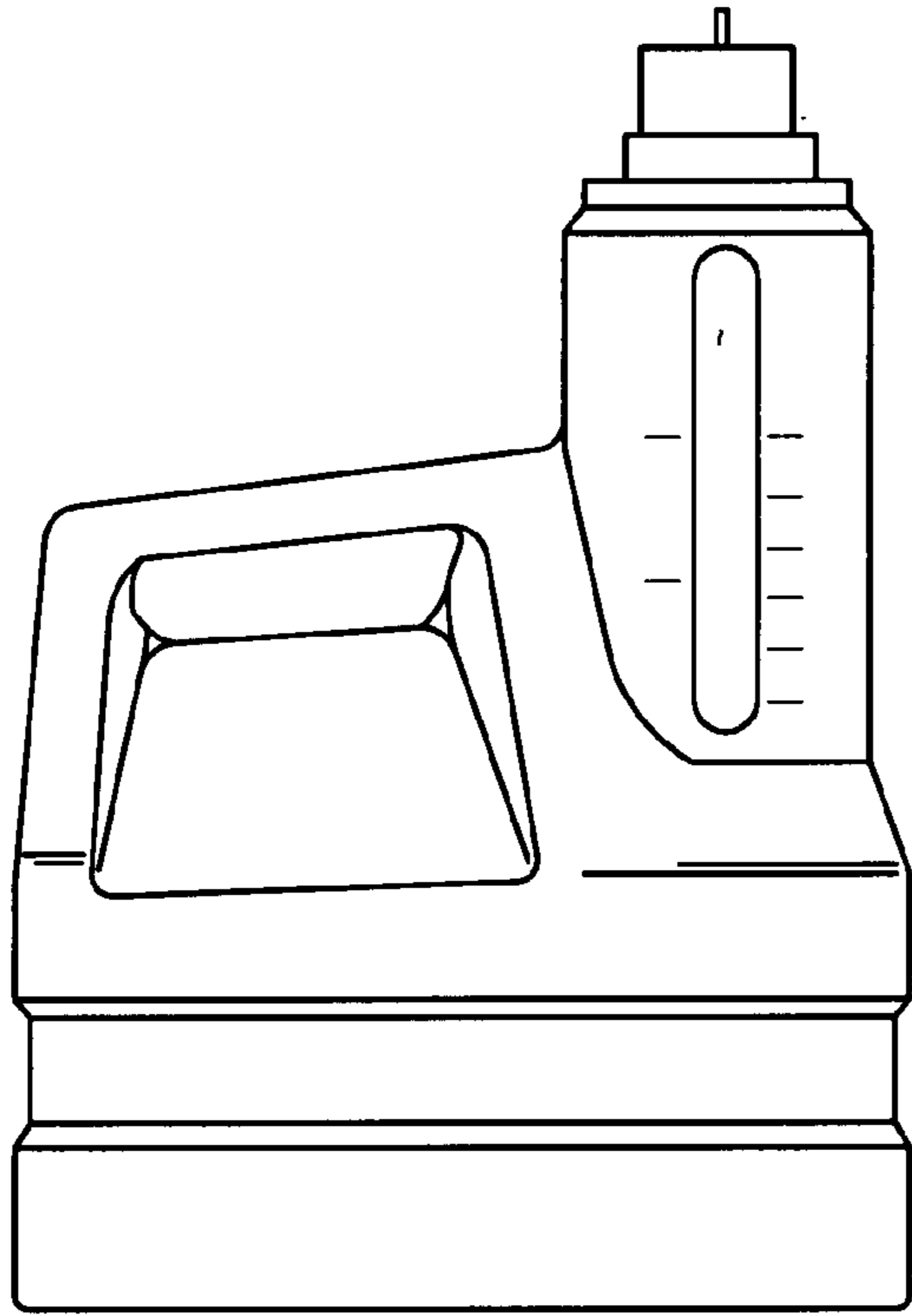




**FIG - 1**

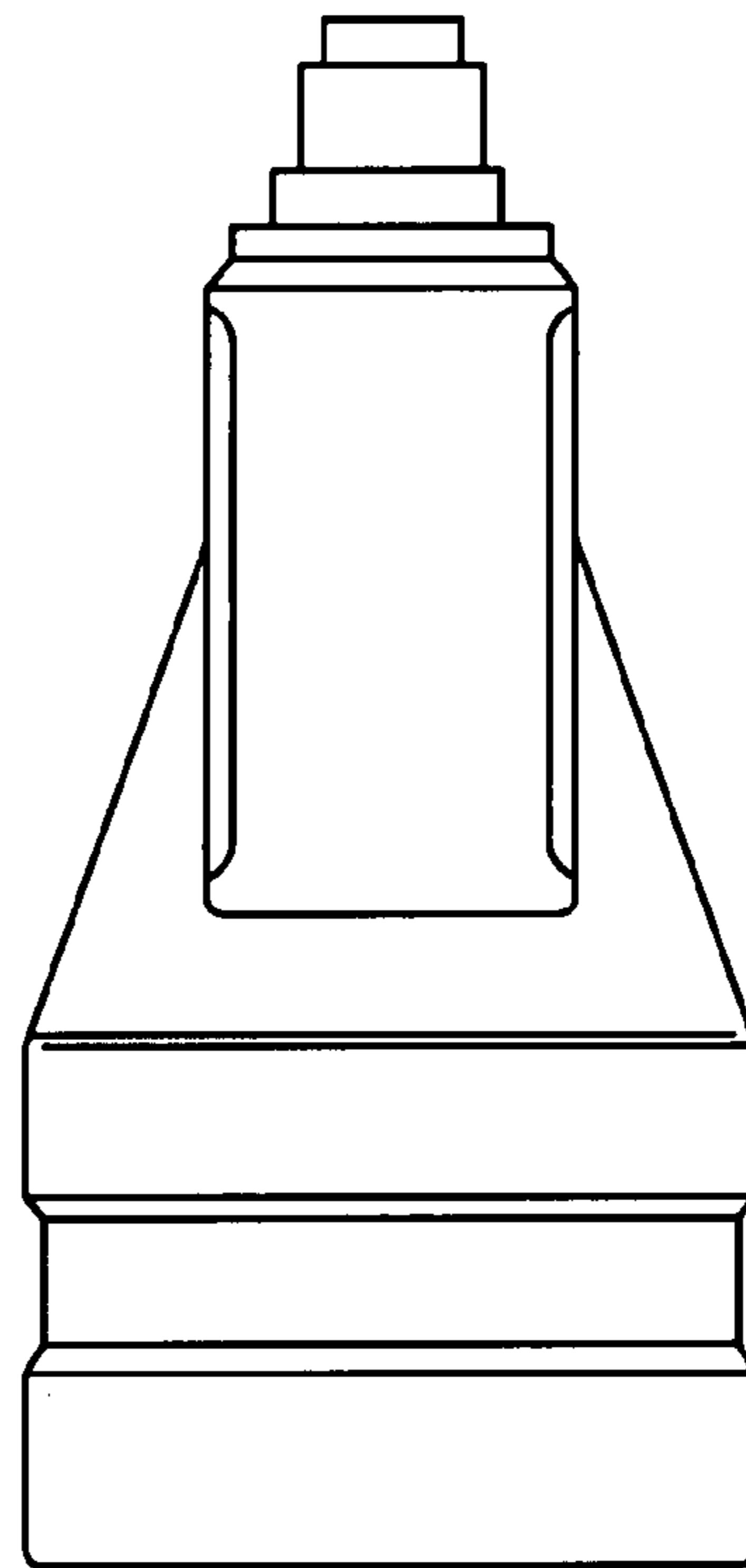


**FIG - 2**

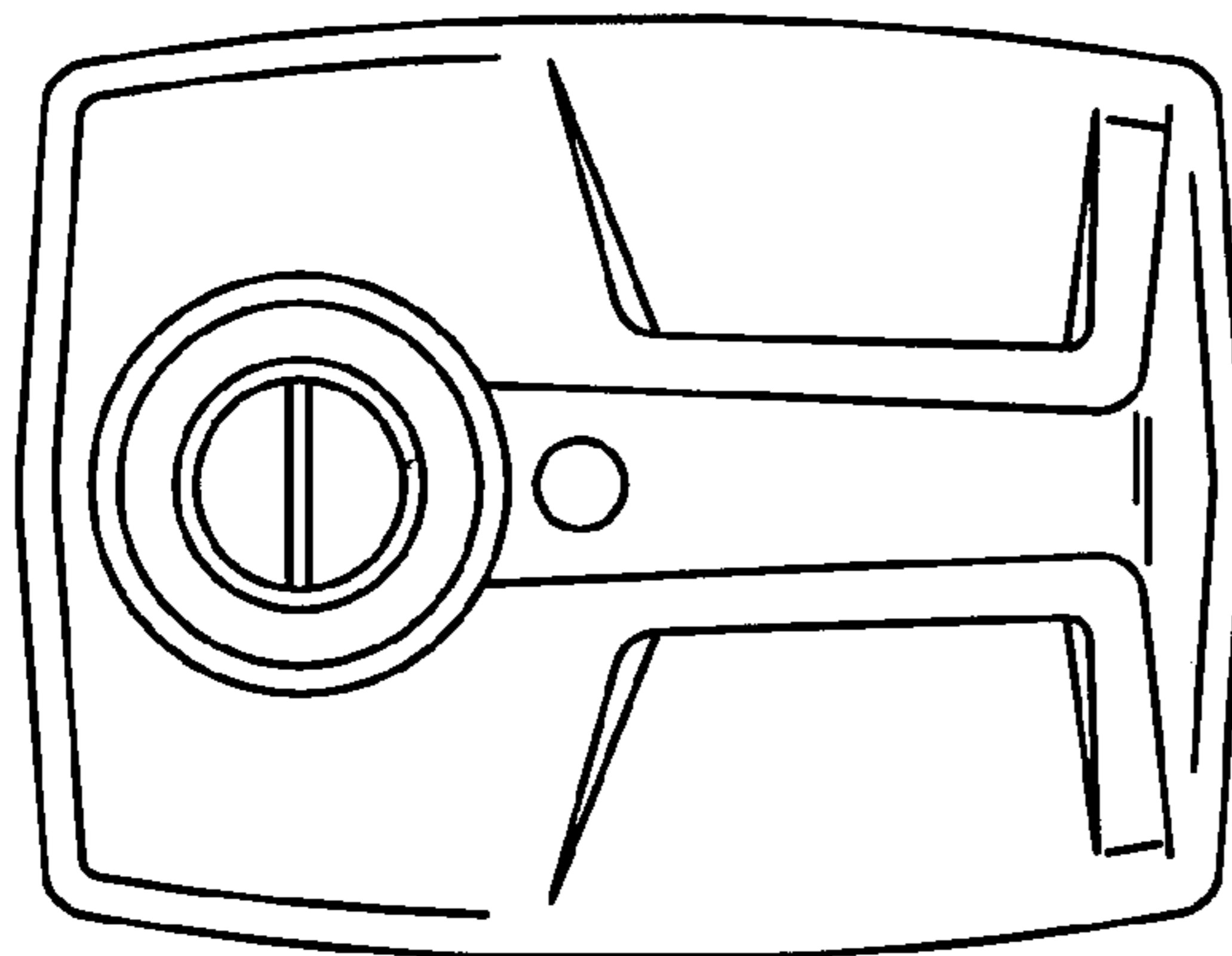


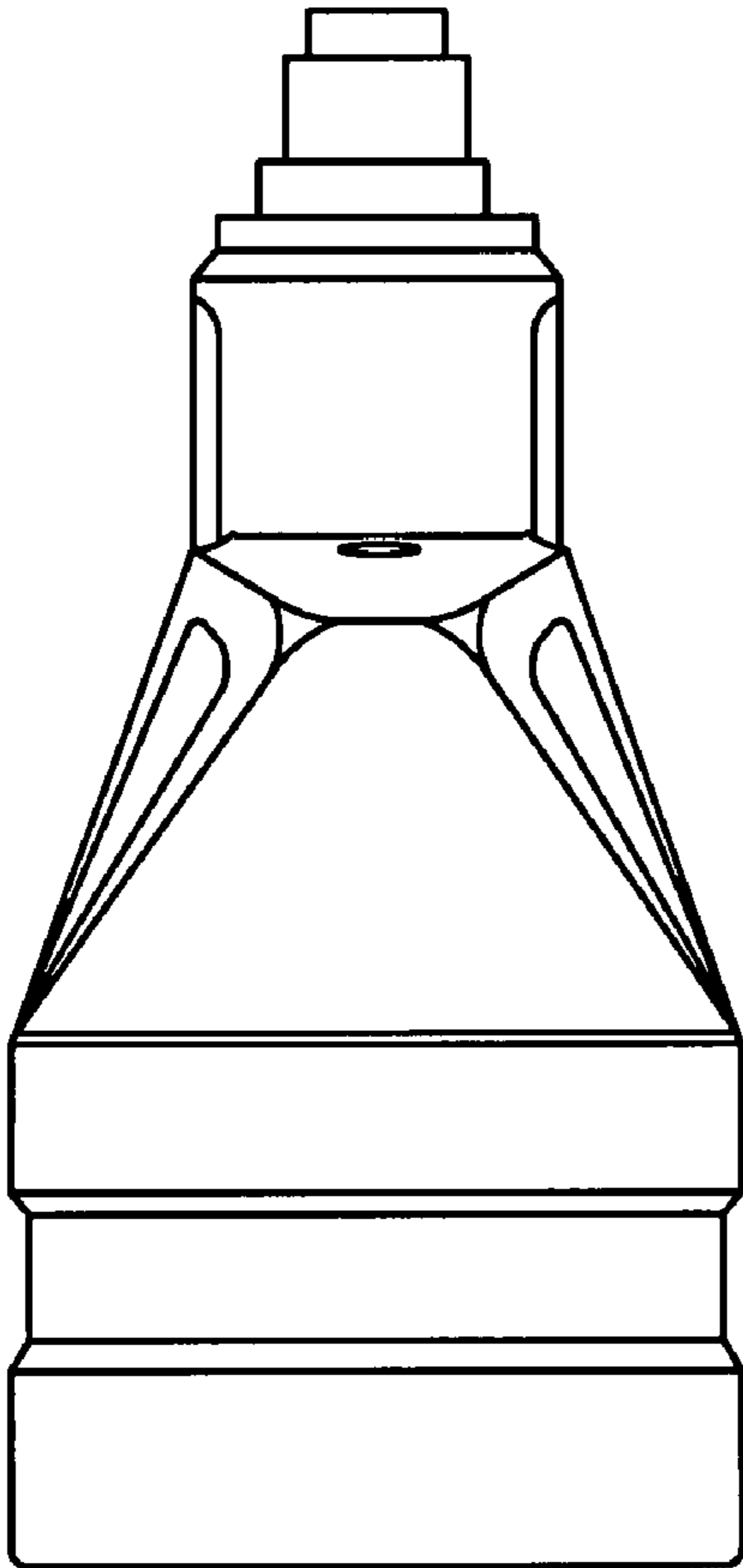
**FIG - 4**

**FIG - 3**



**FIG - 5**





**FIG - 6**

**FIG - 7**

