



US00D557141S

(12) **United States Design Patent**
Pedmo et al.

(10) **Patent No.:** **US D557,141 S**

(45) **Date of Patent:** **** Dec. 11, 2007**

(54) **PLASTIC CONTAINER**

(75) Inventors: **Marc A. Pedmo**, Brunswick, OH (US);
James J. Miller, Barbeton, OH (US)

(73) Assignee: **Plastipak Packaging, Inc.**, Plymouth,
MI (US)

(**) Term: **14 Years**

(21) Appl. No.: **29/241,018**

(22) Filed: **Oct. 21, 2005**

(51) **LOC (8) Cl.** **09-01**

(52) **U.S. Cl.** **D9/541**; D9/542; D9/564;
D9/569; D9/575

(58) **Field of Classification Search** D9/516,
D9/520, 530, 537-543, 549, 551-552, 556-561,
D9/564-565, 569-575; 215/379-381; 220/660-661,
220/669, 675

See application file for complete search history.

(56) **References Cited**

U.S. PATENT DOCUMENTS

D432,920 S * 10/2000 Johnson et al. D9/543
D536,258 S * 2/2007 Ogg et al. D9/564

* cited by examiner

Primary Examiner—Ian Simmons

Assistant Examiner—Dana Sipos

(74) *Attorney, Agent, or Firm*—Robert H. Bachman

(57) **CLAIM**

The ornamental design for a plastic container, as shown and described.

DESCRIPTION

FIG. 1 is a perspective view of the plastic container showing my new design and showing the top, rear and right side thereof;

FIG. 2 is a perspective view showing the top, front and right side thereof;

FIG. 3 is a front elevation view thereof;

FIG. 4 is a rear elevation view thereof;

FIG. 5 is a right side elevation view thereof;

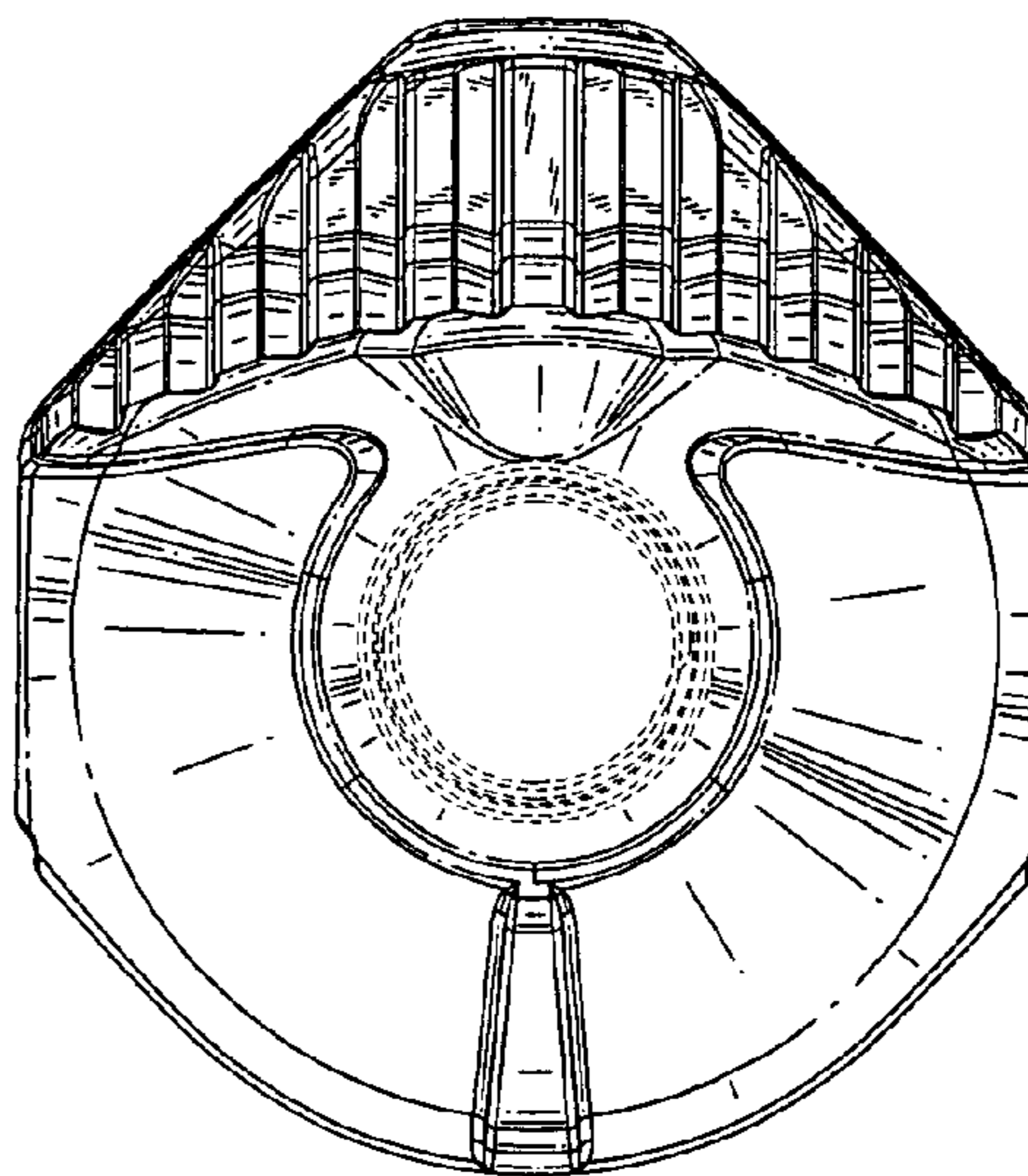
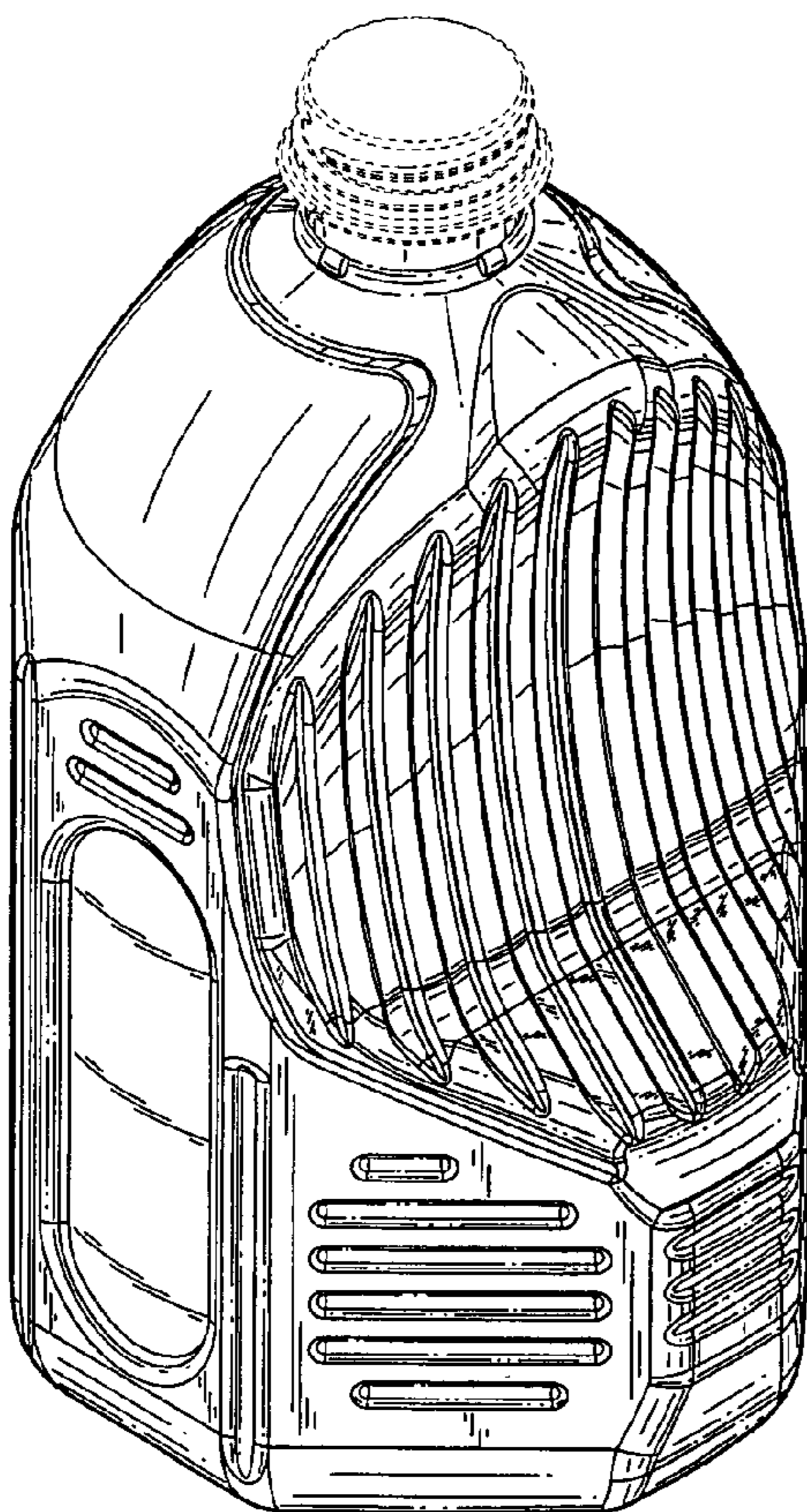
FIG. 6 is a left side elevation view thereof;

FIG. 7 is a top plan view thereof; and,

FIG. 8 is a bottom plan view thereof.

The broken lines shown in the drawings are for illustrative purposes only and form no part of the claimed design.

1 Claim, 4 Drawing Sheets



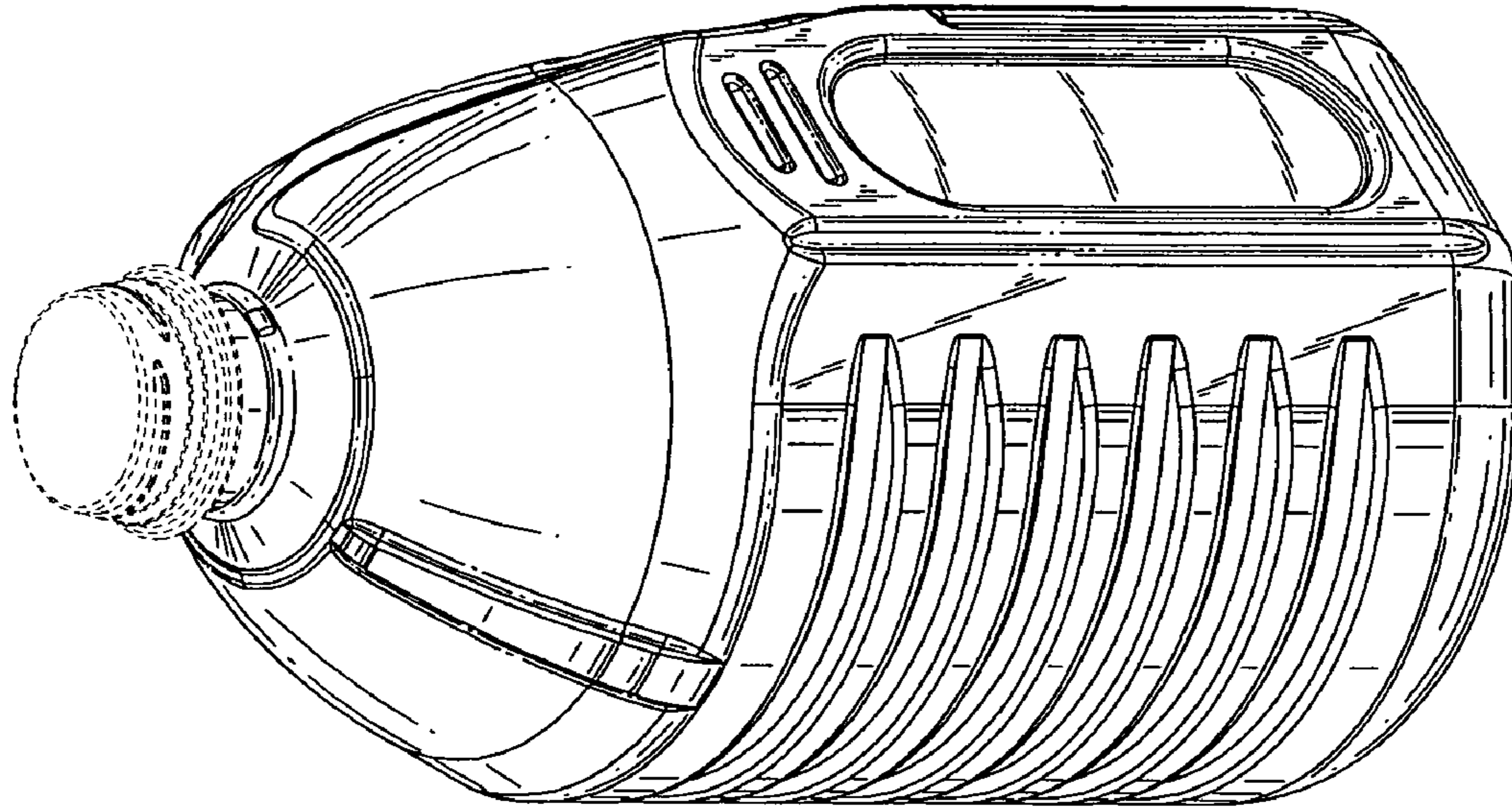


FIG. 2

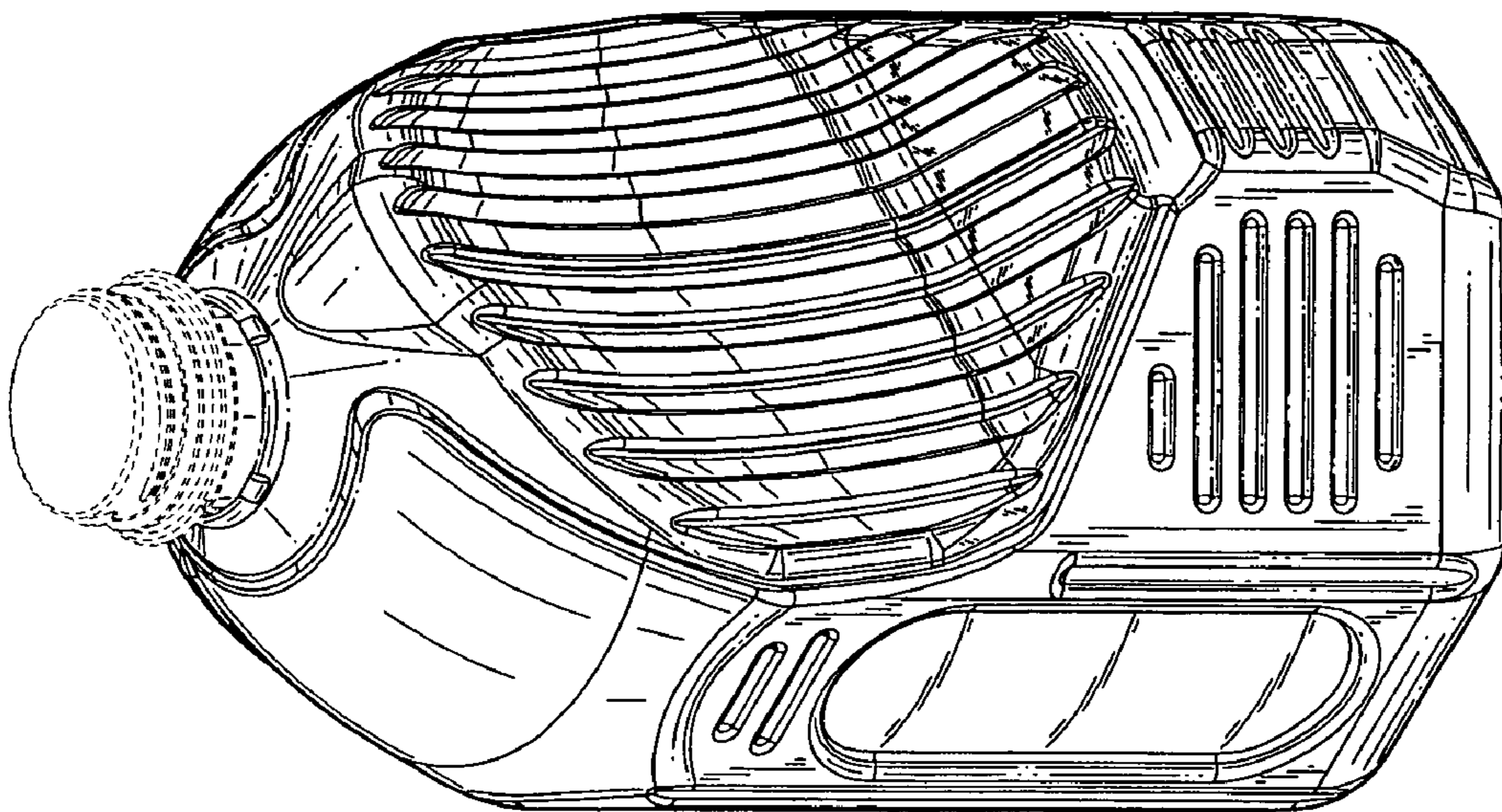


FIG. 1

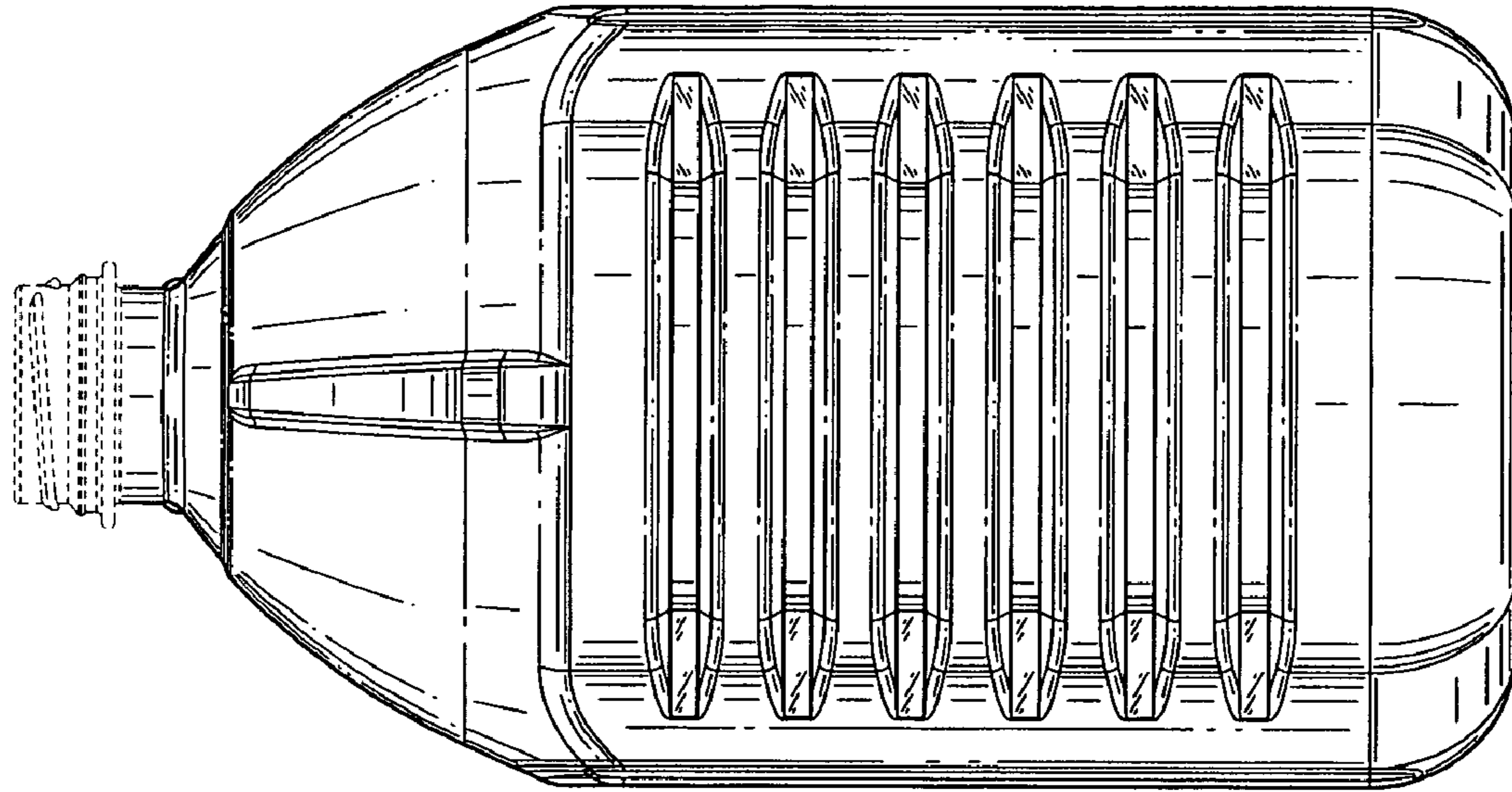


FIG. 3

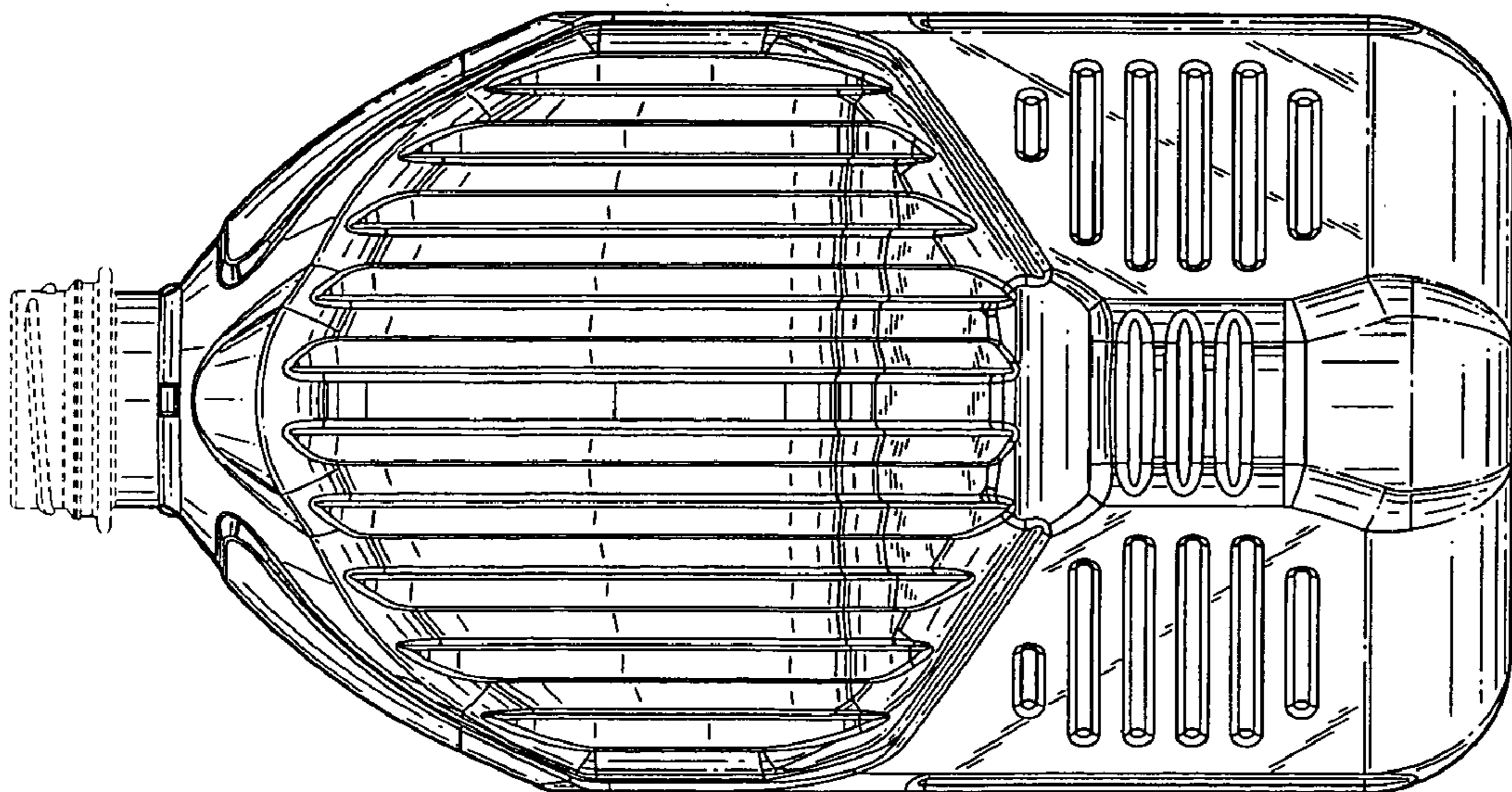


FIG. 4

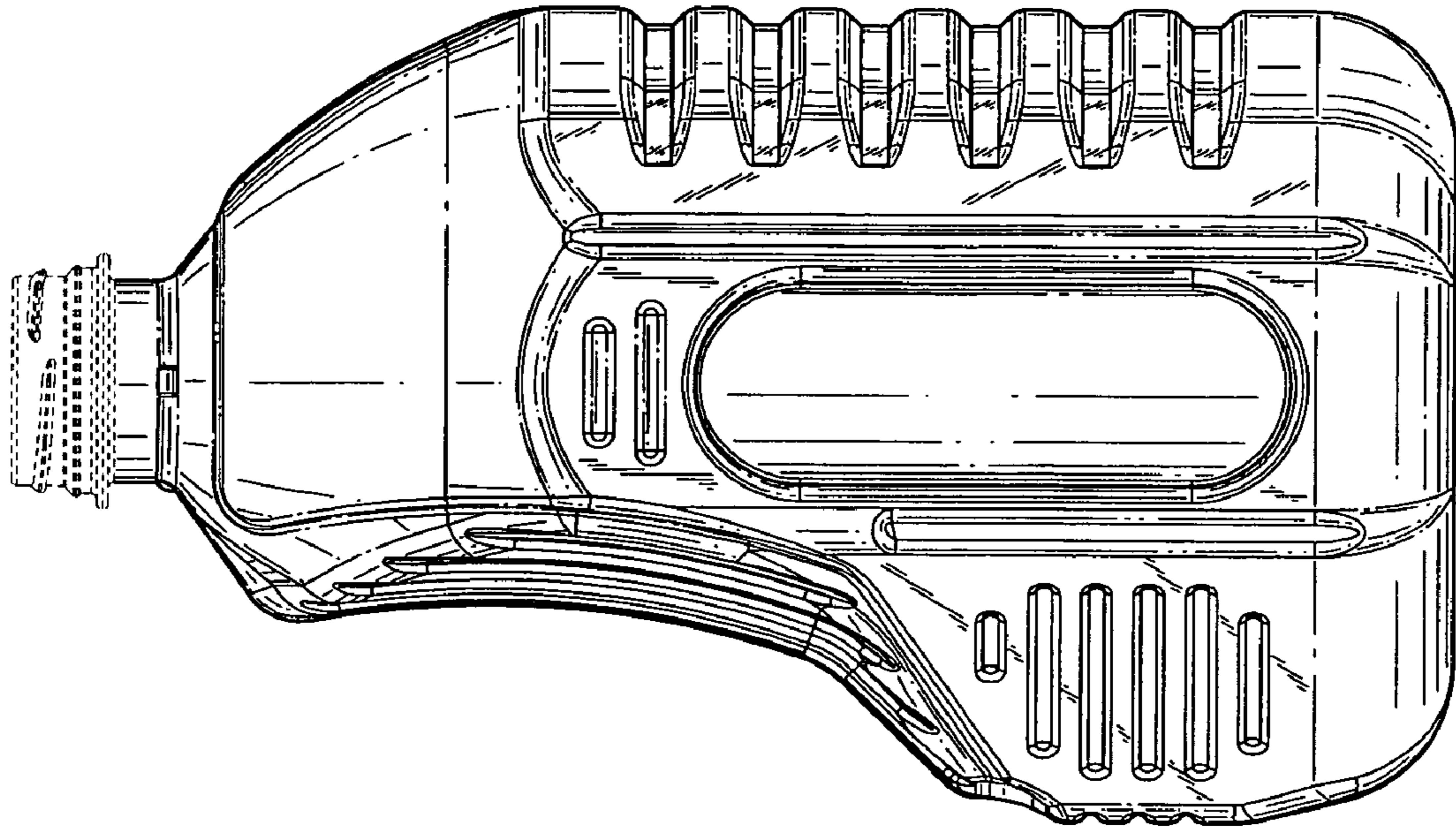


FIG. 6

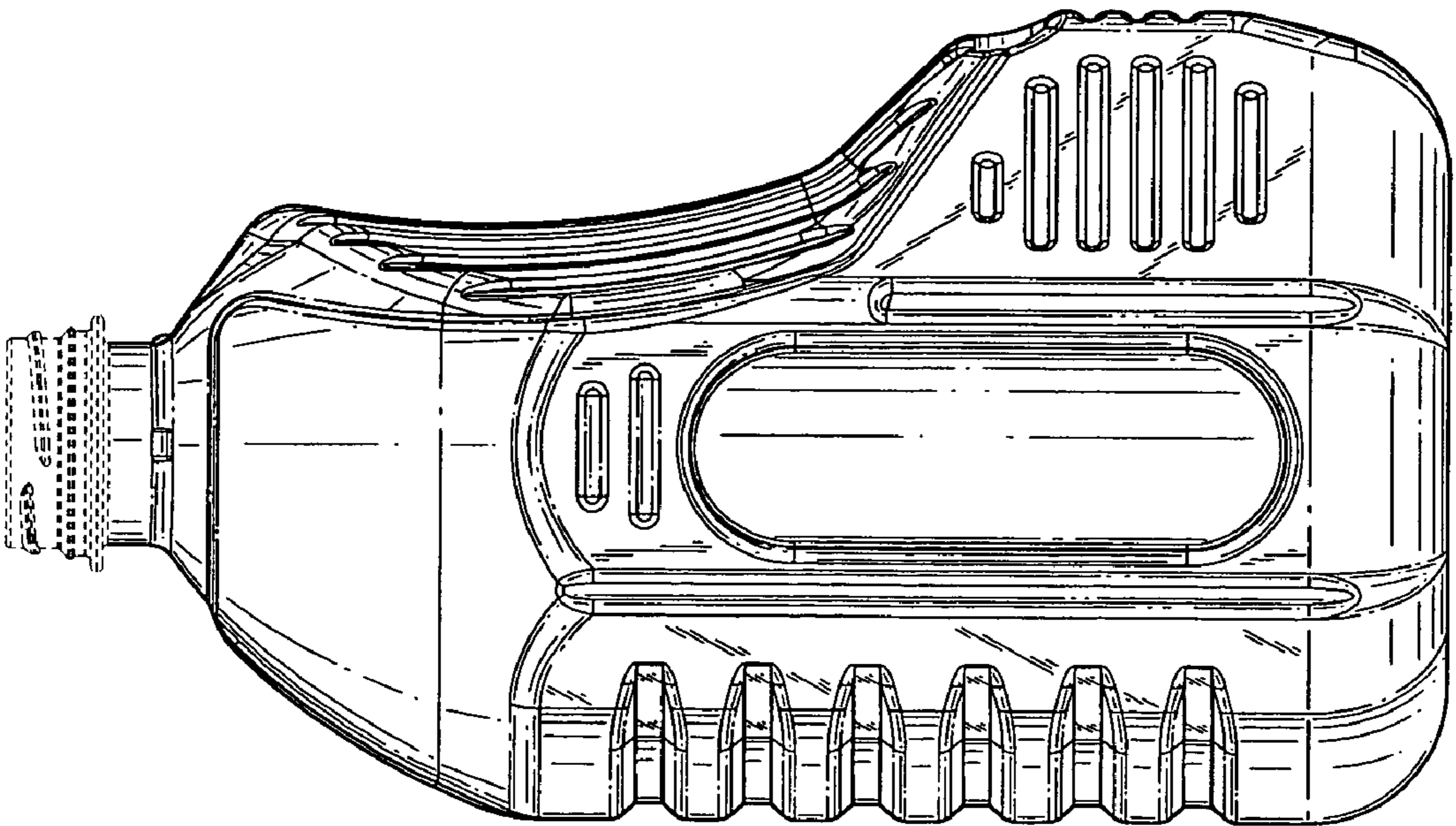


FIG. 5

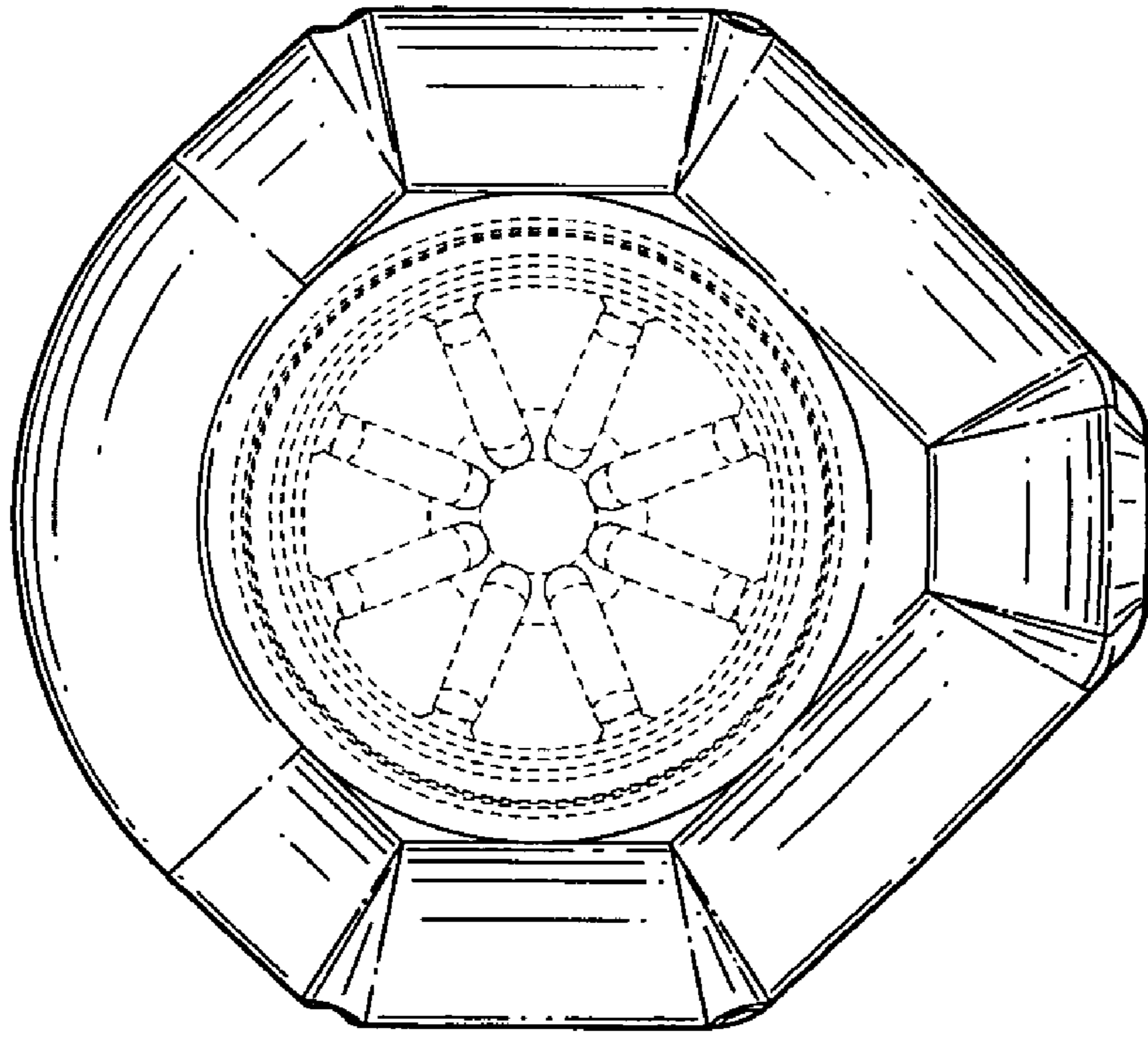


FIG. 8

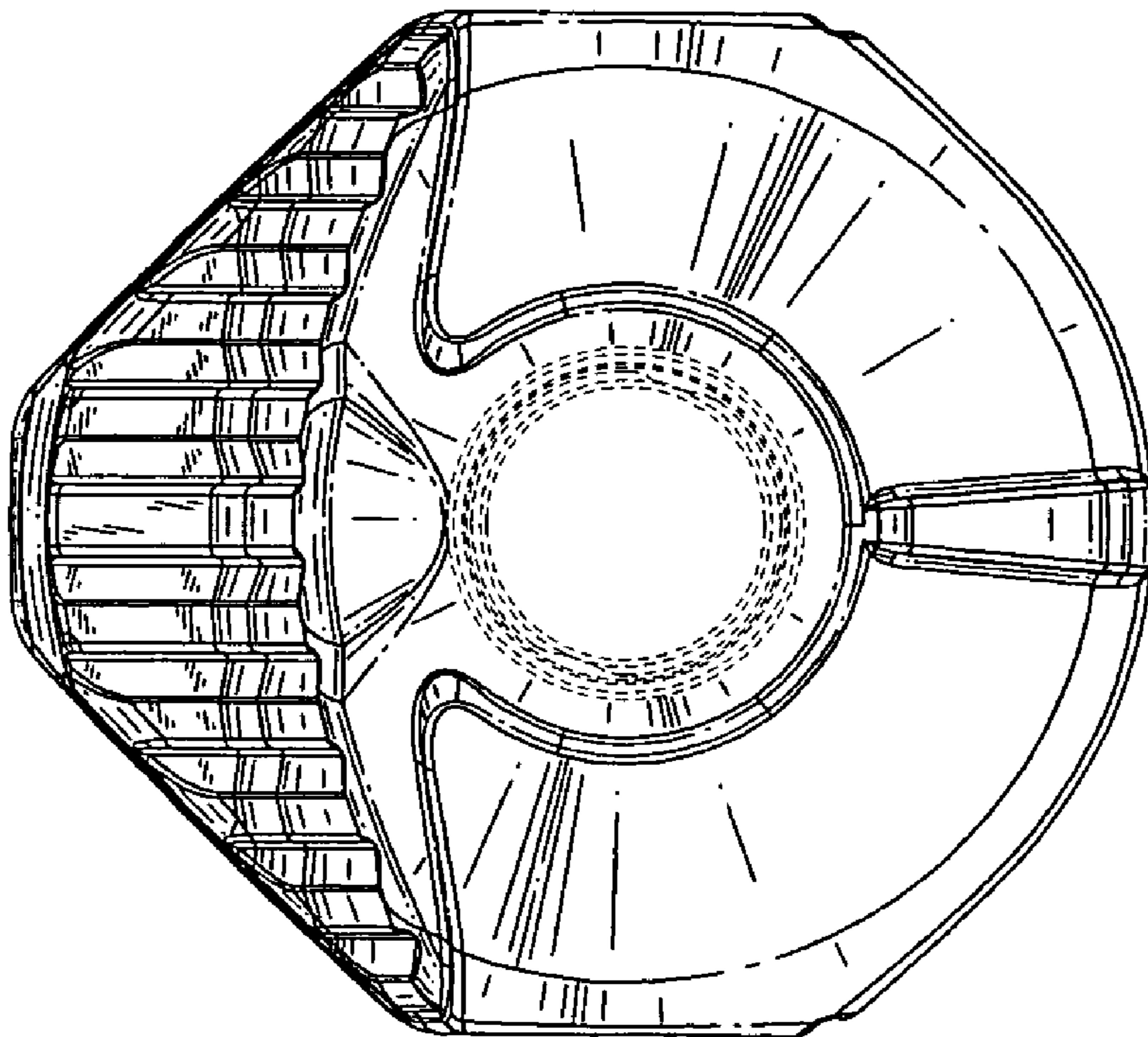


FIG. 7