



US00D557138S

(12) **United States Design Patent**  
**Boukobza**

(10) **Patent No.:** **US D557,138 S**

(45) **Date of Patent:** **\*\* \*Dec. 11, 2007**

(54) **BOTTLE**

(75) Inventor: **Michael Boukobza**, Le Havre Cedex (FR)

(73) Assignee: **Sidel**, Octeville sur Mer (FR)

(\*) Notice: This patent is subject to a terminal disclaimer.

(\*\*) Term: **14 Years**

(21) Appl. No.: **29/244,105**

(22) Filed: **Dec. 5, 2005**

(30) **Foreign Application Priority Data**

Jun. 3, 2005 (EM) ..... 000350111

(51) **LOC (8) Cl.** ..... **09-01**

(52) **U.S. Cl.** ..... **D9/520**

(58) **Field of Classification Search** ..... D9/516,  
D9/520, 537, 538, 539, 540, 549, 556, 557,  
D9/558; 215/375, 381, 382, 383, 384, 385,  
215/396, 398, 400; 220/606, 608, 609  
See application file for complete search history.

(56) **References Cited**

**U.S. PATENT DOCUMENTS**

6,065,624 A \* 5/2000 Steinke ..... 215/383

6,585,123 B1 \* 7/2003 Pedmo et al. .... 215/10  
6,929,139 B2 \* 8/2005 Darr ..... 215/382  
6,971,530 B2 \* 12/2005 Darr ..... 215/43  
2004/0173565 A1 \* 9/2004 Semersky et al. .... 215/382

\* cited by examiner

*Primary Examiner*—Ian Simmons

*Assistant Examiner*—Dana L. Sipos

(74) *Attorney, Agent, or Firm*—Marshall, Gerstein & Borun LLP

(57) **CLAIM**

The ornamental design for a bottle, as shown and described.

**DESCRIPTION**

FIG. 1 is a bottom, right-side perspective view of a bottle, showing the design.

FIG. 2 is an alternate bottom, right-side perspective view of the bottle.

FIG. 3 is a bottom, left-side perspective view of the bottle.

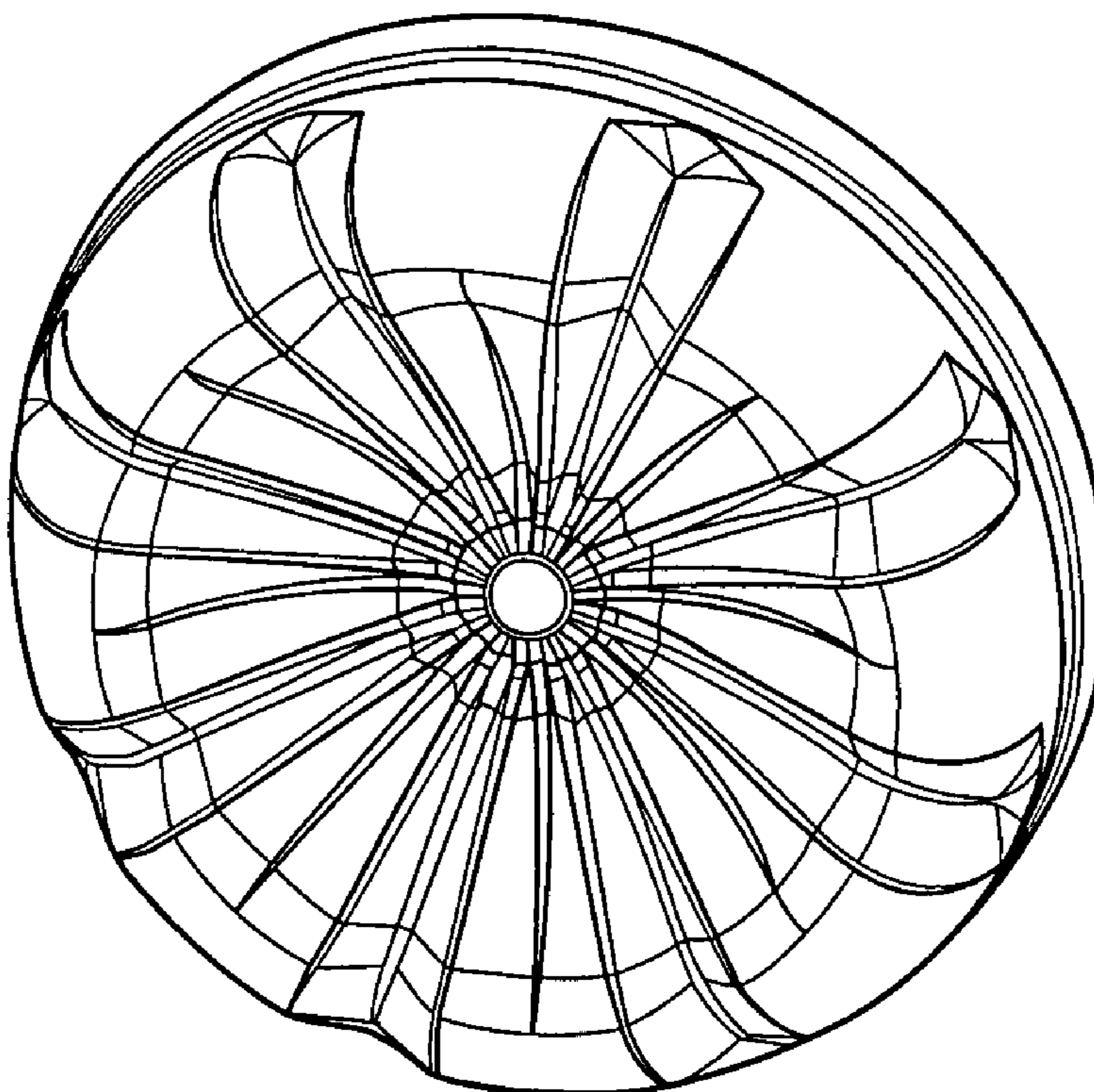
FIG. 4 is an alternate bottom, left-side perspective view of the bottle.

FIG. 5 is a bottom plan view of the bottle; and,

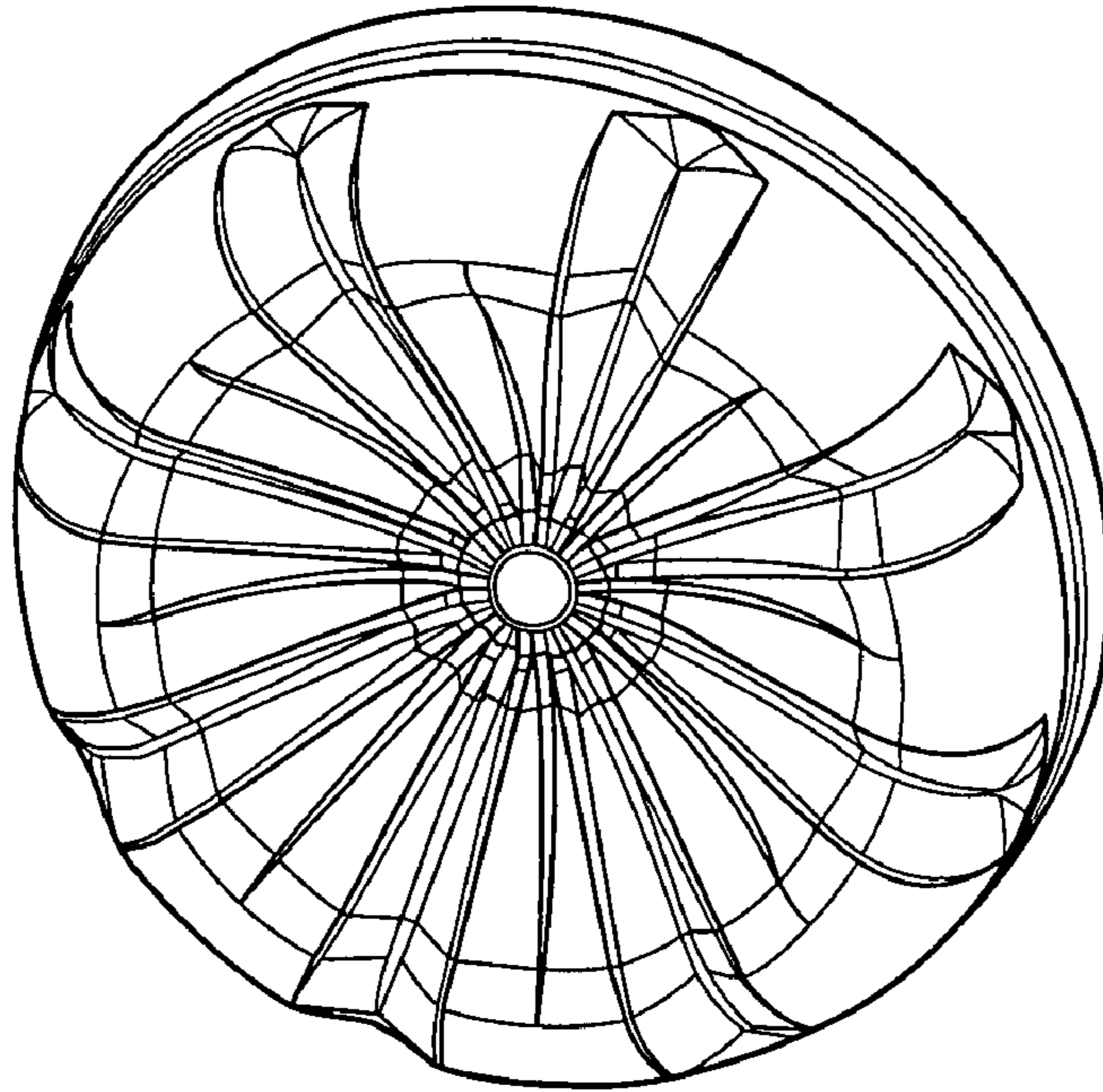
FIG. 6 is a side elevational view of the bottle.

The broken lines shown in the drawings are for illustrative purposes only and form no part of the claimed design.

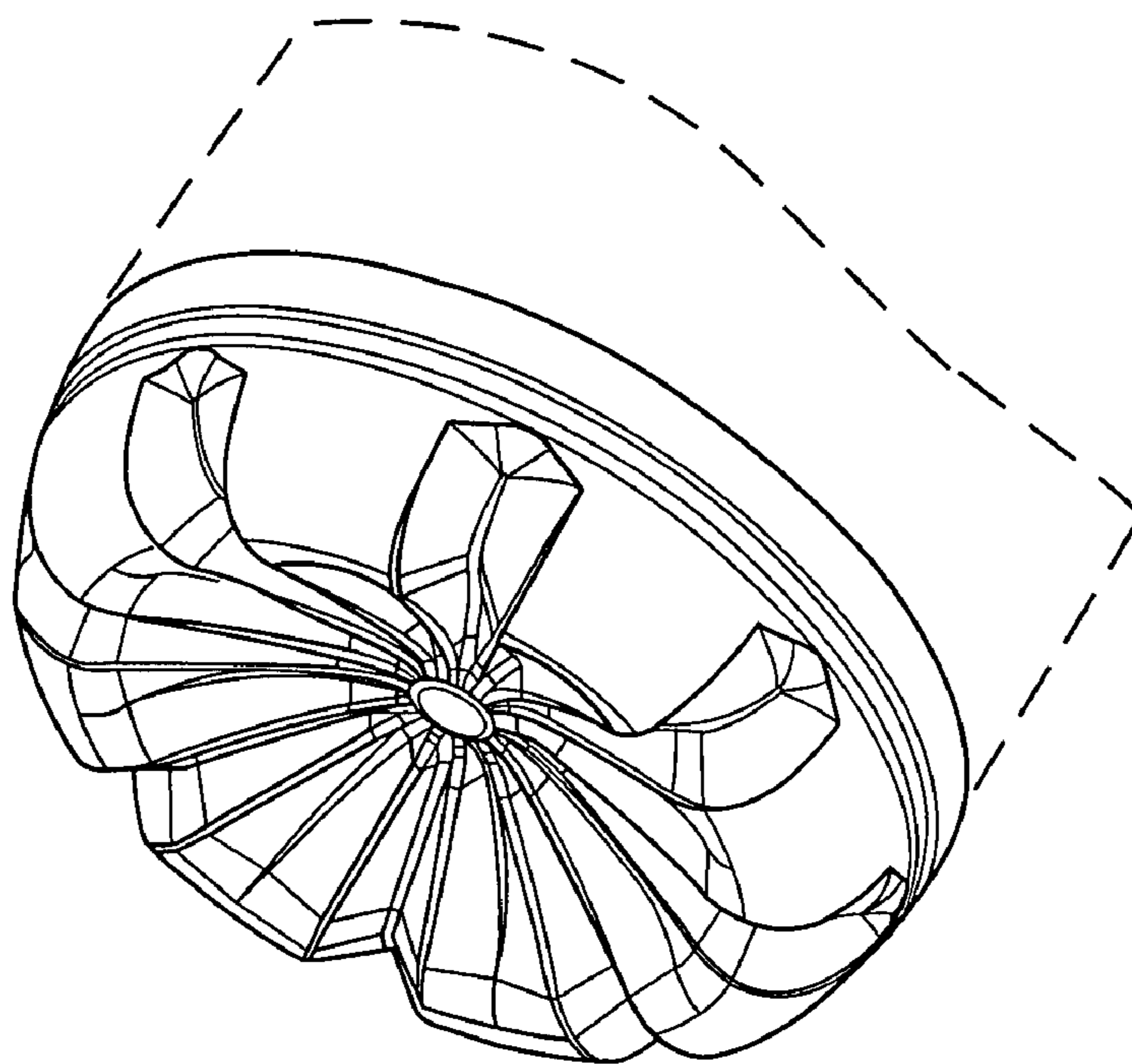
**1 Claim, 3 Drawing Sheets**



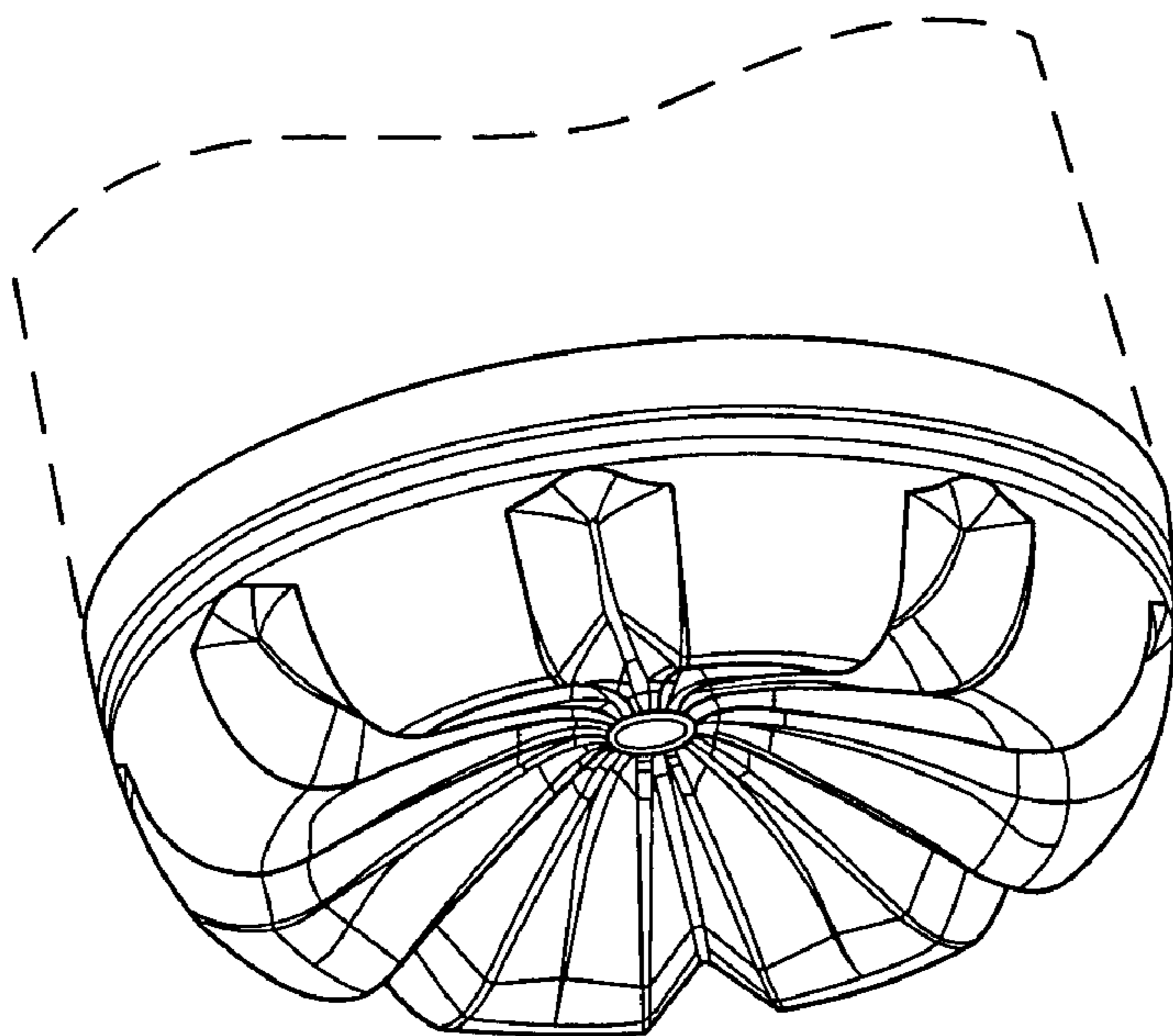
**FIG. 1**



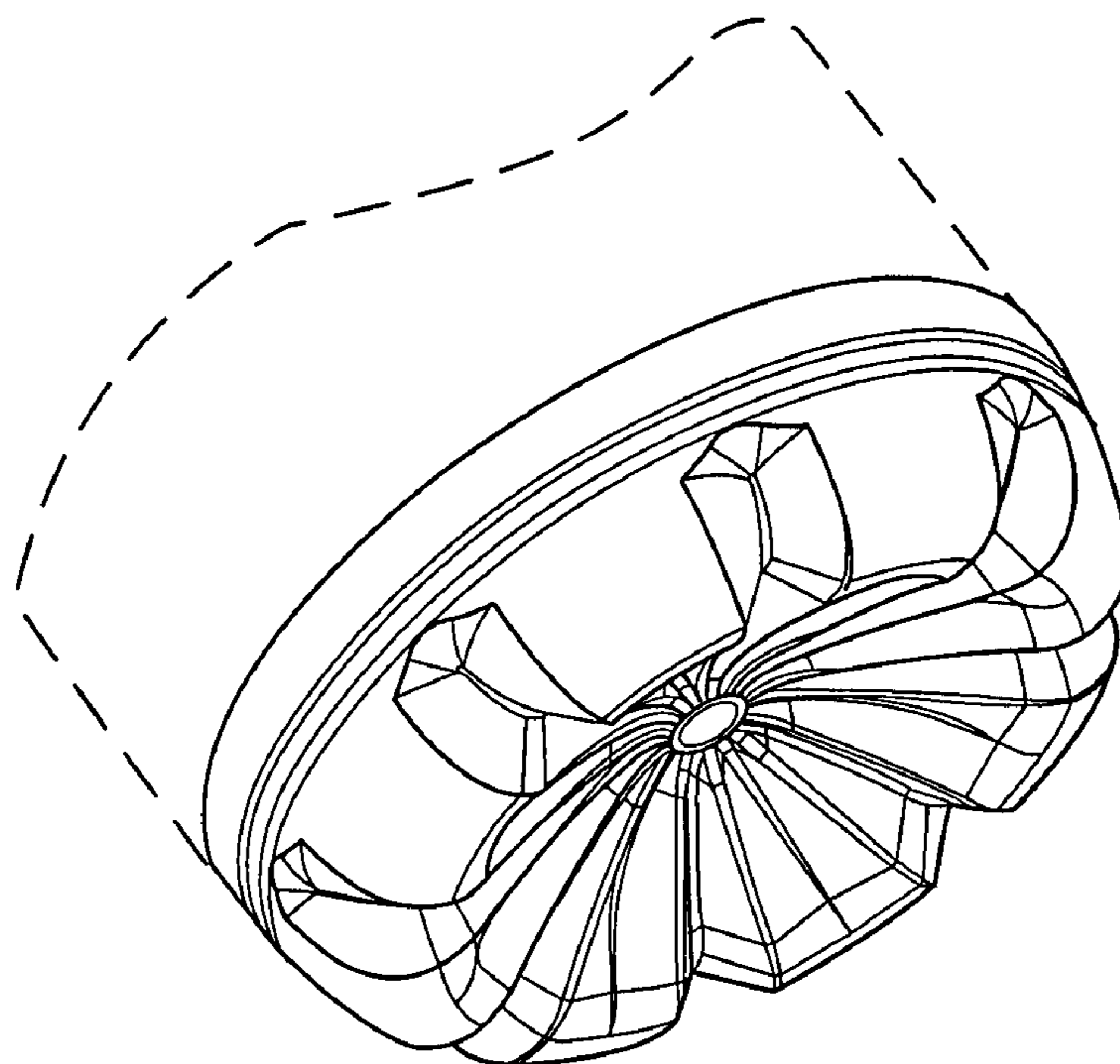
**FIG. 2**



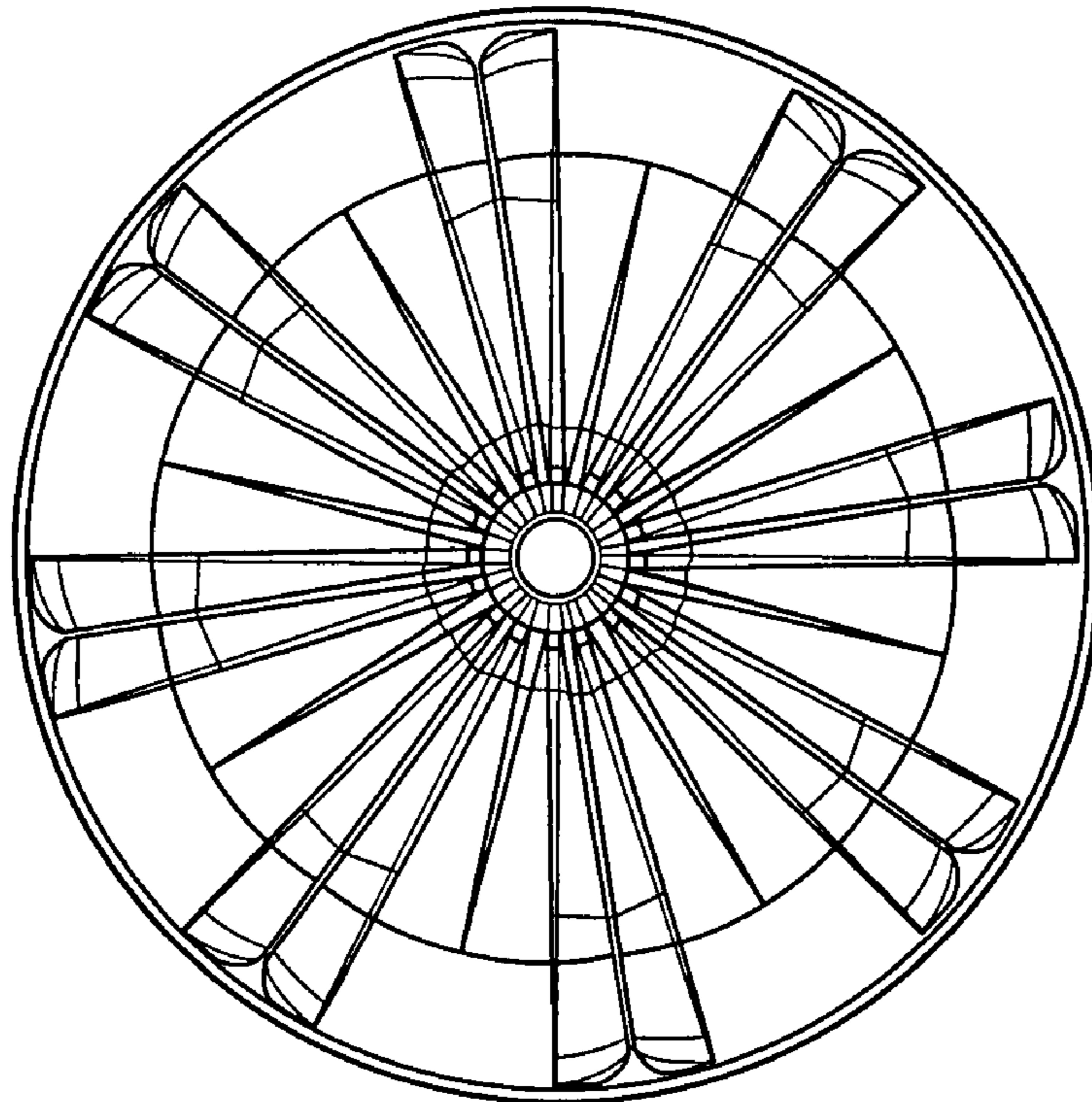
**FIG. 3**



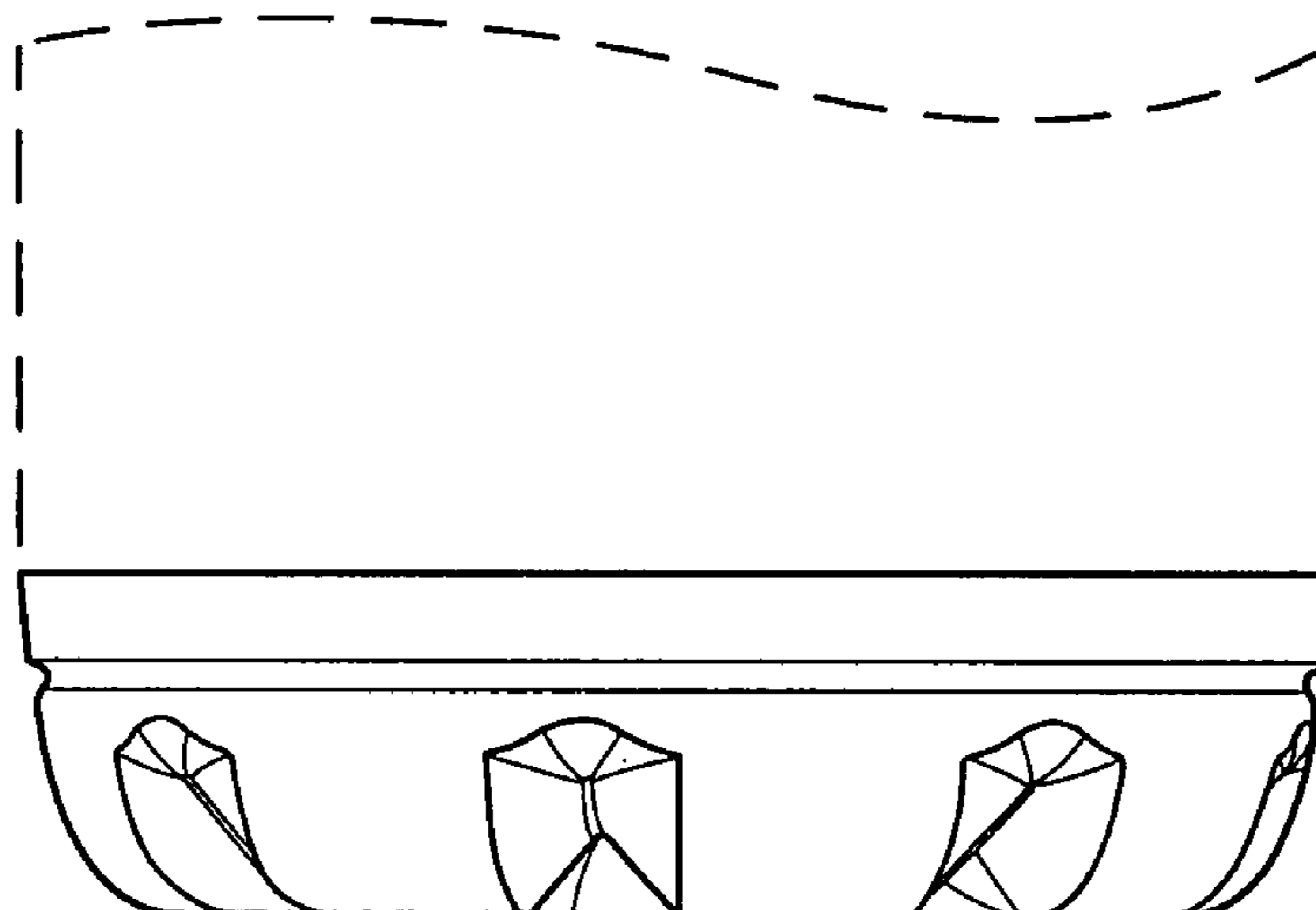
**FIG. 4**



**FIG. 5**



**FIG. 6**



UNITED STATES PATENT AND TRADEMARK OFFICE  
**CERTIFICATE OF CORRECTION**

PATENT NO. : Des. 557,138 S  
APPLICATION NO. : 29/244105  
DATED : December 11, 2007  
INVENTOR(S) : Michel Boukobza

Page 1 of 1

It is certified that error appears in the above-identified patent and that said Letters Patent is hereby corrected as shown below:

In the Title Page  
item (75), please delete "Michael", and insert -- Michel --

Signed and Sealed this

Twenty-seventh Day of May, 2008

A handwritten signature in black ink that reads "Jon W. Dudas". The signature is written in a cursive style with a large, looped initial "J".

JON W. DUDAS  
*Director of the United States Patent and Trademark Office*