



US00D557137S

(12) **United States Design Patent** (10) **Patent No.:** **US D557,137 S**
Harre et al. (45) **Date of Patent:** **** Dec. 11, 2007**

(54) **END CAP FOR A PACKAGE WITH FLEXIBLE WALLS**

(75) Inventors: **Manfred Harre**, Landsberg am Lech (DE); **Thomas Klaus Mueller**, Munich (DE)

(73) Assignee: **3M Innovative Properties Company**, St. Paul, MN (US)

(**) Term: **14 Years**

(21) Appl. No.: **29/237,036**

(22) Filed: **Aug. 25, 2005**

(51) **LOC (8) Cl.** **09-07**

(52) **U.S. Cl.** **D9/434**

(58) **Field of Classification Search** D9/708, D9/705, 558, 520, 499, 447, 445, 440, 439, D9/435; D18/43; 222/95, 92, 88, 23, 105; 215/41, 40, 381, 375, 373; D3/202; D7/387, D7/397, 412, 415

See application file for complete search history.

(56) **References Cited**

U.S. PATENT DOCUMENTS

4,818,114	A *	4/1989	Ghavi	366/130
5,332,122	A	7/1994	Herold et al.	
5,419,460	A	5/1995	Herold et al.	
5,501,368	A	3/1996	Brandhorst et al.	
D374,150	S *	10/1996	Lillelund et al.	D7/387
5,653,360	A	8/1997	Brandhorst et al.	
6,012,610	A	1/2000	Pauser et al.	
D432,916	S *	10/2000	Drinkwater et al.	D9/447
D475,397	S *	6/2003	Harris et al.	D18/43
6,631,829	B1	10/2003	Wagner et al.	
D505,540	S *	5/2005	Lien	D3/202

FOREIGN PATENT DOCUMENTS

EM	000018031-0001	10/2003
EM	000018031-0002	10/2003
EM	000018031-0003	10/2003
EM	000018031-0004	10/2003
EM	000018031-0005	10/2003

EM	000018031-0006	10/2003
EM	000018031-0007	10/2003
EM	000018031-0008	10/2003
EM	000018031-0009	10/2003
EM	000018031-0010	10/2003
EM	000018031-0011	10/2003
EM	000018031-0012	10/2003
EM	000018031-0013	10/2003
EM	000018031-0014	10/2003
EM	000018031-0015	10/2003
EM	000018031-0016	10/2003
EM	000031588-0001	10/2003
EM	000031588-0002	10/2003

(Continued)

Primary Examiner—Gary D. Watson
Assistant Examiner—Susan Bennett Hattan
(74) *Attorney, Agent, or Firm*—Peter L. Olson

(57) **CLAIM**

The ornamental design for end cap for a package with flexible walls, as shown and described.

DESCRIPTION

FIG. 1 is a perspective front view of end cap showing the new design. As shown, the end cap is oriented to face front;

FIG. 2 is a plan view of the front side of the end cap;

FIG. 3 is a plan view of the back side of the end cap;

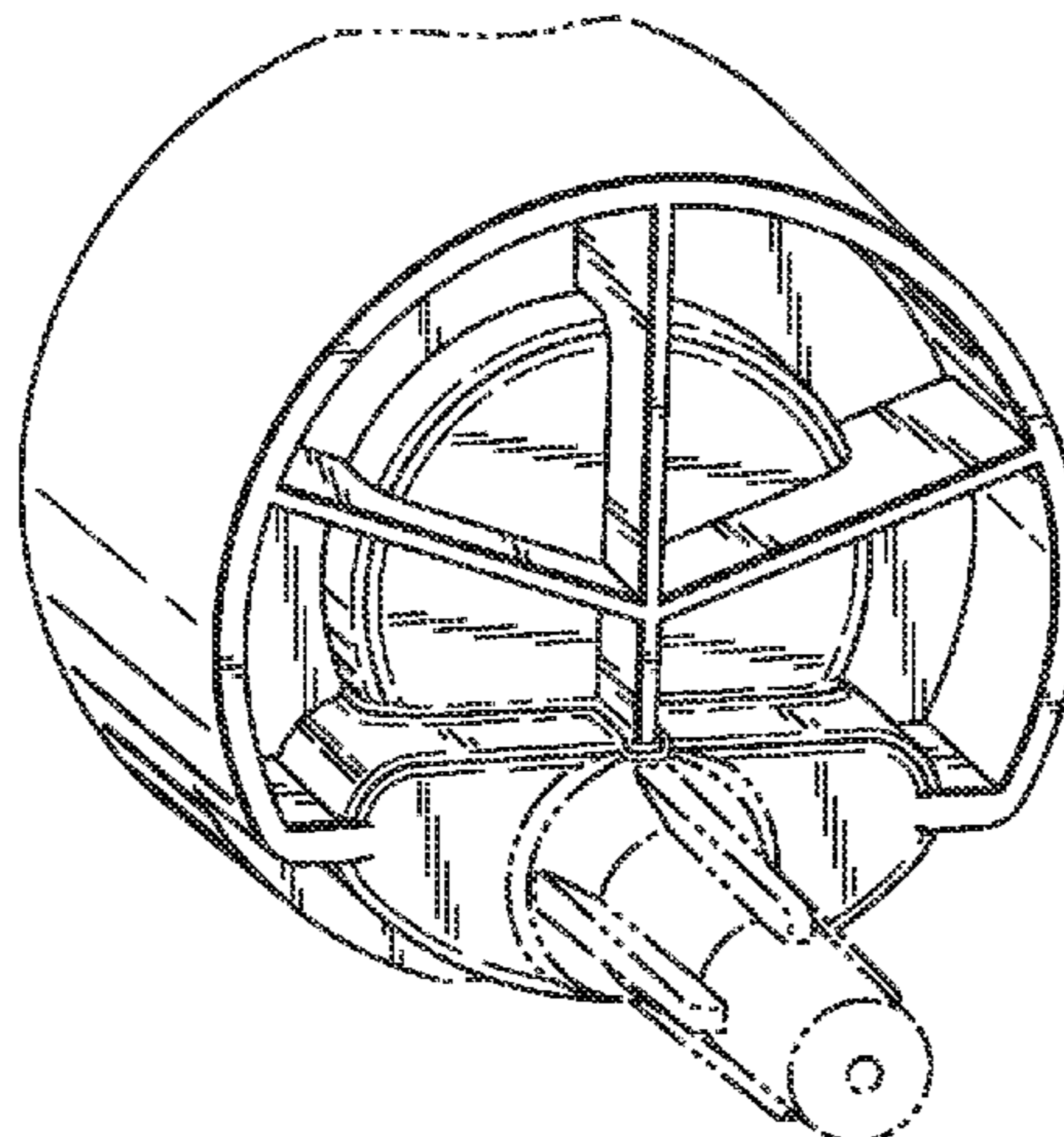
FIG. 4 is a side elevational view of the end cap (the view from the other side is identical);

FIG. 5 is an elevational view of the top of the end cap (as viewed from above FIG. 1) thereof; and,

FIG. 6 is an elevational view of the bottom of the end cap (as viewed from below FIG. 1) thereof.

The broken lines in the drawings are shown for illustrative purposes only and form no part of the claimed design. In addition, the surface shading illustrated in the drawings is provided merely to highlight the contour of design; it is not intended to be illustrative of texture or gloss.

1 Claim, 2 Drawing Sheets



FOREIGN PATENT DOCUMENTS					
			EM	000031588-0013	10/2003
EM	000031588-0003	10/2003	EM	000054903-0001	12/2003
EM	000031588-0004	10/2003	EM	000054903-0002	12/2003
EM	000031588-0005	10/2003	EM	000054903-0003	12/2003
EM	000031588-0006	10/2003	EM	000054903-0004	12/2003
EM	000031588-0007	10/2003	EM	000054903-0005	12/2003
EM	000031588-0008	10/2003	EM	000054903-0006	12/2003
EM	000031588-0009	10/2003	EM	000054903-0007	12/2003
EM	000031588-0010	10/2003	EP	0 787 655 B1	8/1997
EM	000031588-0011	10/2003			
EM	000031588-0012	10/2003			

* cited by examiner

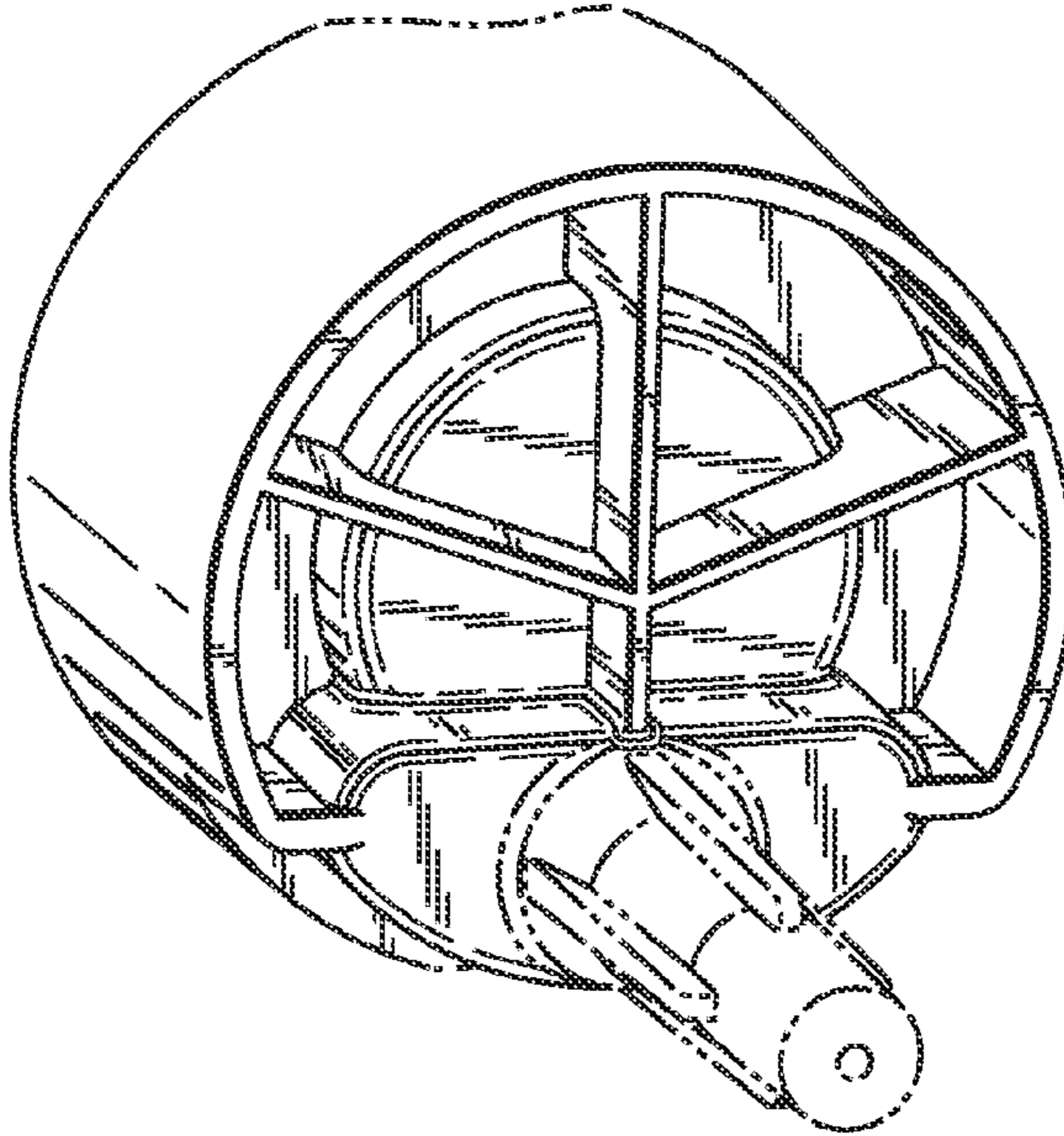


Fig. 1

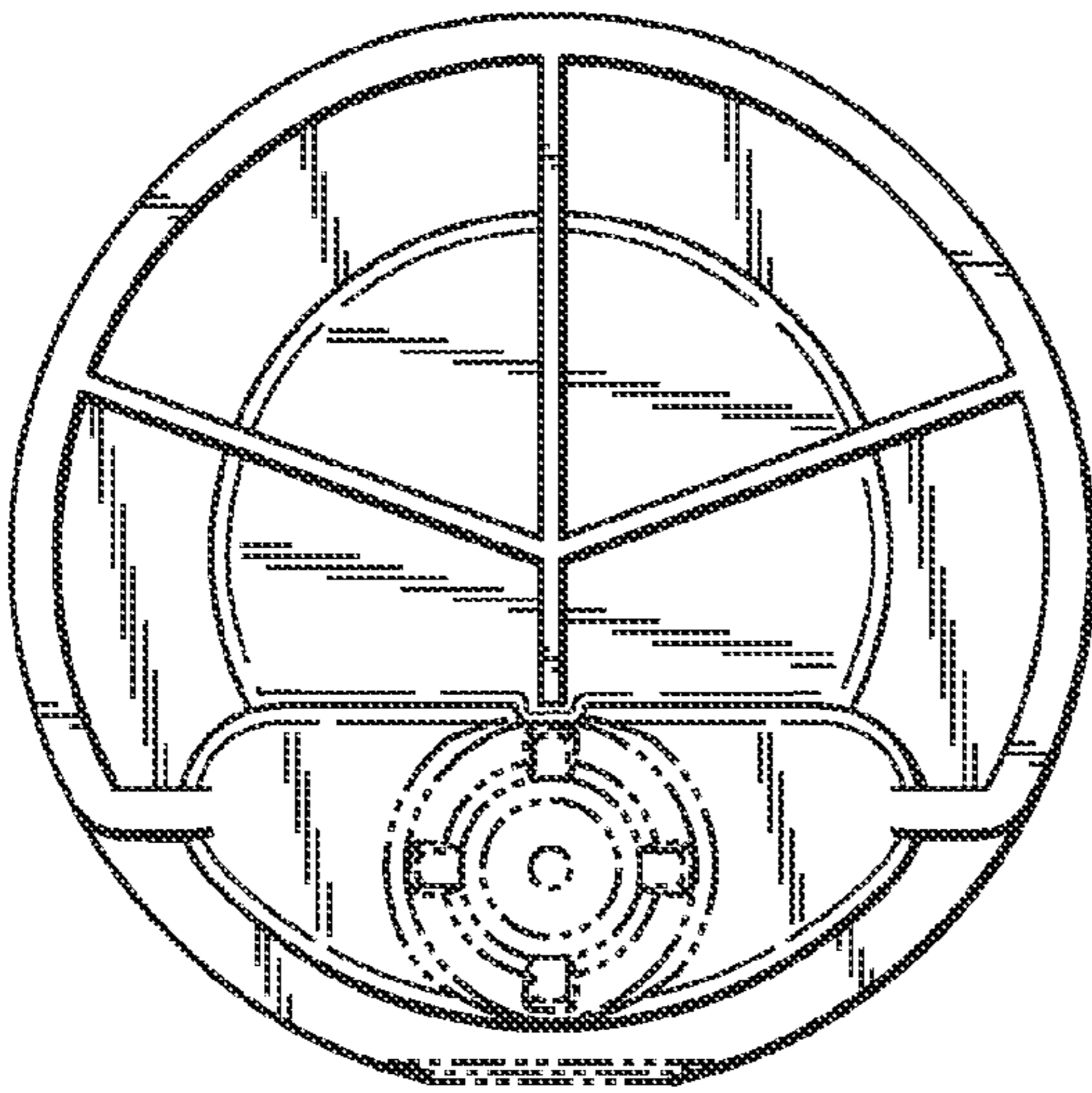


Fig. 2

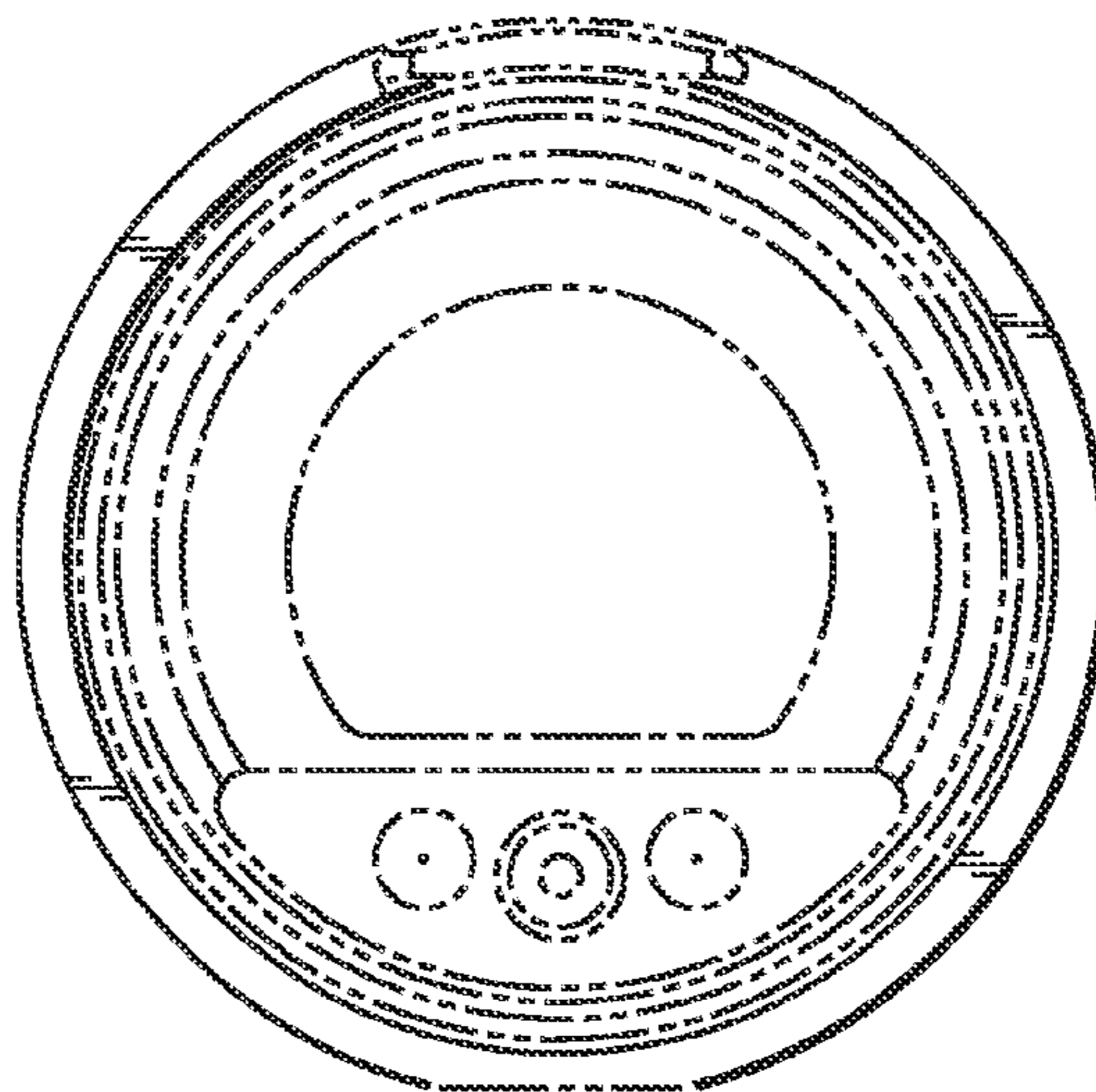


Fig. 3

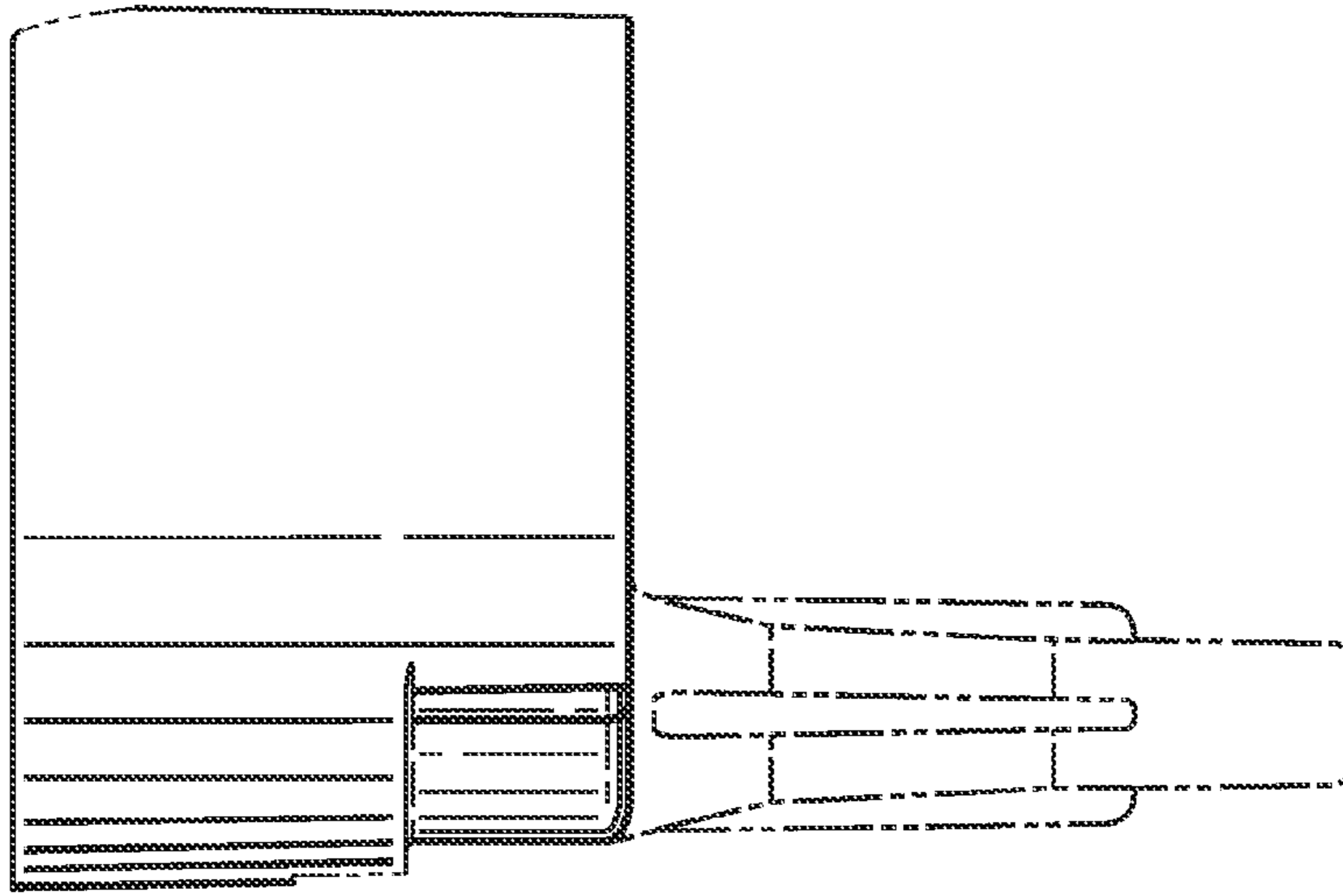


Fig. 4

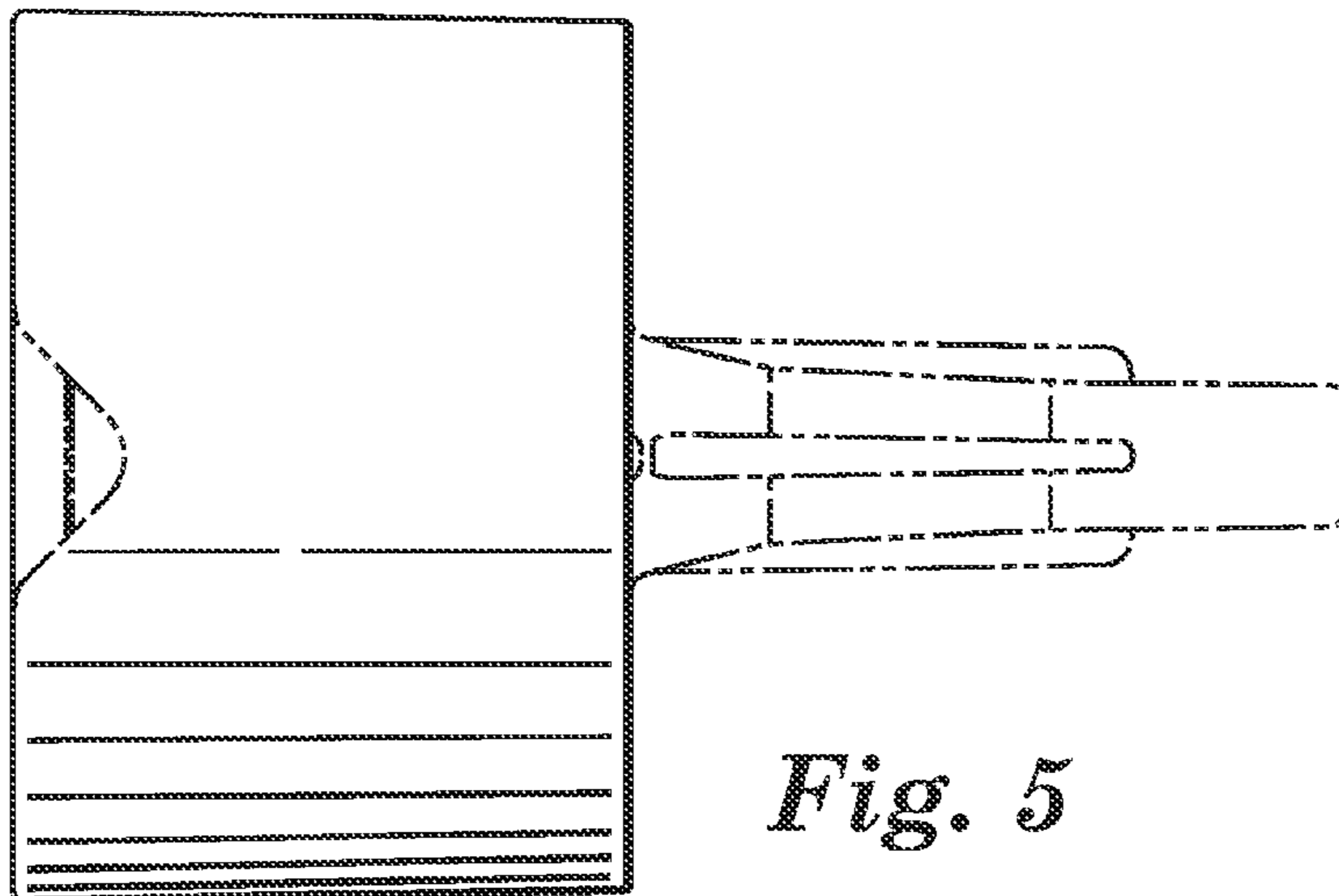


Fig. 5

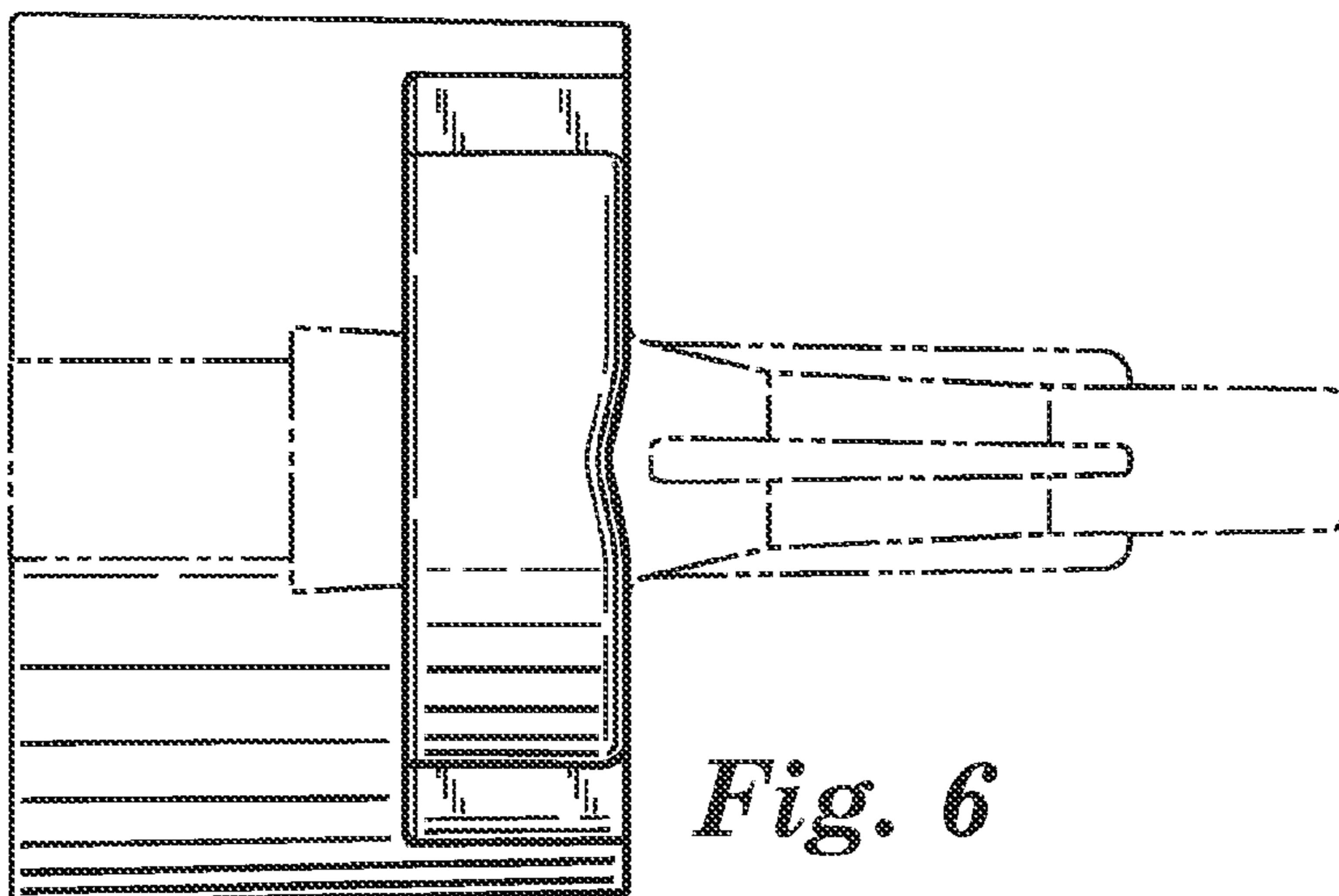


Fig. 6