



US00D557136S

(12) **United States Design Patent** (10) **Patent No.:** **US D557,136 S**  
**Bengtzelius et al.** (45) **Date of Patent:** **\*\* Dec. 11, 2007**

(54) **CONTAINER**

(75) Inventors: **Bjorn Bengtzelius**, Gothenburg (SE);  
**Richi Collet**, Venray (SE); **Kent Engstrom**, Malmo (SE); **Niklas Hofverberg**, Gothenburg (SE)

(73) Assignee: **Astra Tech AB**, Moindal (SE)

(\*\*) Term: **14 Years**

(21) Appl. No.: **29/225,209**

(22) Filed: **Mar. 14, 2005**

(30) **Foreign Application Priority Data**

Sep. 15, 2004 (EM) ..... 000226410

(51) **LOC (8) Cl.** ..... **09-03**

(52) **U.S. Cl.** ..... **D9/426; D9/425; D9/418**

(58) **Field of Classification Search** ..... D9/414-432,  
D9/748-762, 449, 456; D7/601-602, 629;  
206/484-484.2, 518, 557, 459.1, 524.3; 220/287,  
220/556, 241-2, 780-1, 350; D3/258, 269,  
D3/272, 294, 321  
See application file for complete search history.

(56) **References Cited**

**U.S. PATENT DOCUMENTS**

|           |     |         |                 |         |
|-----------|-----|---------|-----------------|---------|
| 3,400,873 | A   | 9/1968  | Bessett         |         |
| 3,695,514 | A   | 10/1972 | Mascetti, Jr.   |         |
| 3,800,998 | A   | 4/1974  | Gask            |         |
| 4,872,551 | A   | 10/1989 | Theros          |         |
| D320,934  | S * | 10/1991 | Cross et al.    | D9/415  |
| 5,842,567 | A * | 12/1998 | Rowe et al.     | 206/364 |
| D430,015  | S * | 8/2000  | Himbert et al.  | D9/425  |
| D472,140  | S * | 3/2003  | Yang            | D9/415  |
| D497,547  | S * | 10/2004 | Kumakura et al. | D9/415  |
| D505,322  | S * | 5/2005  | Guthrie et al.  | D9/418  |
| D506,925  | S * | 7/2005  | Plumer          | D9/415  |

\* cited by examiner

*Primary Examiner*—Louis S Zarfaz

*Assistant Examiner*—Susan E Krakower

(74) *Attorney, Agent, or Firm*—Birch, Stewart, Kolasch & Birch, LLP

(57) **CLAIM**

The ornamental design for container, as shown and described.

**DESCRIPTION**

FIG. 1 is a perspective view of a container showing our new design;

FIG. 2 is a front elevational view thereof;

FIG. 3 is a left side elevational view thereof;

FIG. 4 is a top plan view thereof;

FIG. 5 is a bottom plan view thereof;

FIG. 6 is a rear elevational view thereof;

FIG. 7 is a right side elevational view thereof;

FIG. 8 is a top perspective view thereof, in an open position;

FIG. 9 is a bottom perspective view thereof, in an open position;

FIG. 10 is a perspective view of a second embodiment of a container showing our new design;

FIG. 11 is a front elevational view thereof;

FIG. 12 is a left side elevational view thereof;

FIG. 13 is a top plan view thereof;

FIG. 14 is a bottom plan view thereof;

FIG. 15 is a rear elevational view thereof;

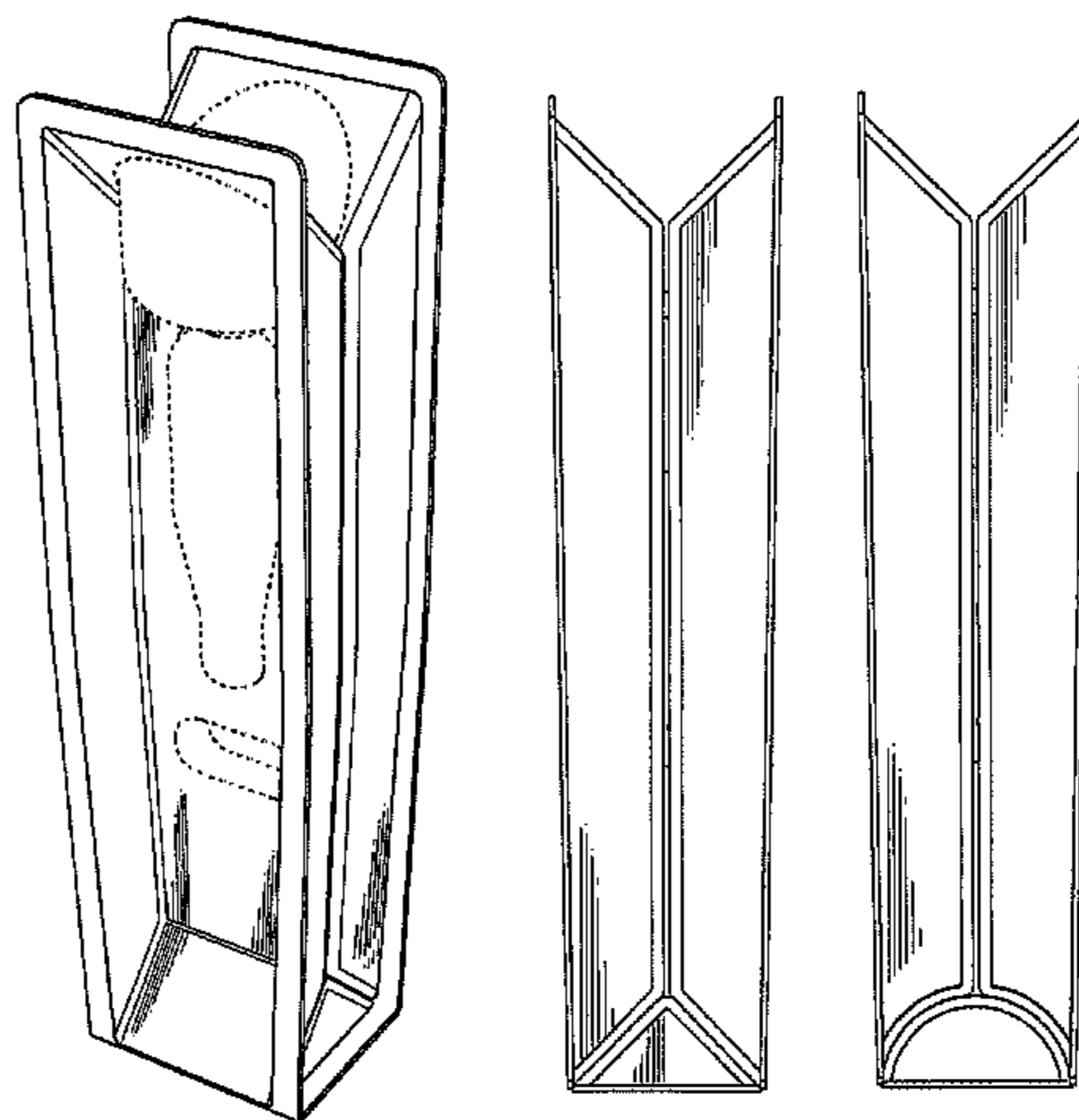
FIG. 16 is a right side elevational view thereof;

FIG. 17 is a top perspective view thereof, in an open position; and,

FIG. 18 is a bottom perspective view thereof, in an open position.

The broken line showing of a bottle and interior contours are included for the purpose of illustrating environmental structure and forms no part of the claimed design.

**1 Claim, 8 Drawing Sheets**



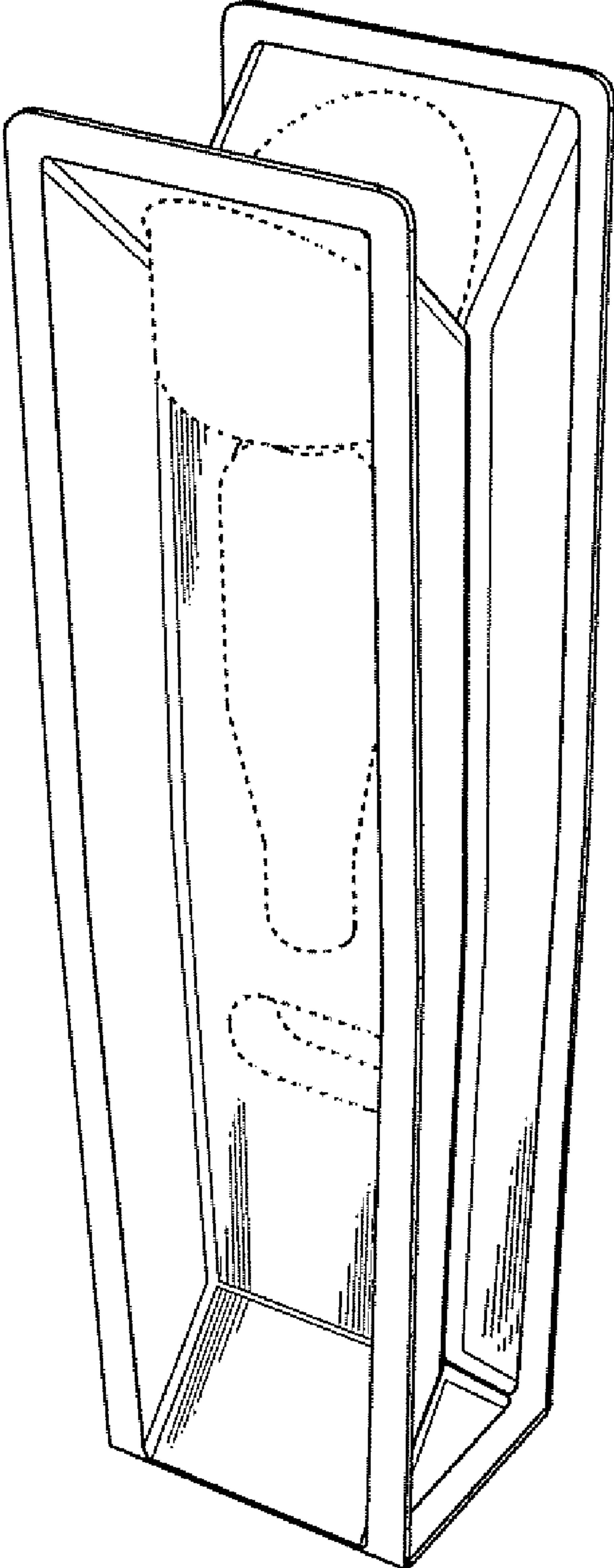


Figure 1

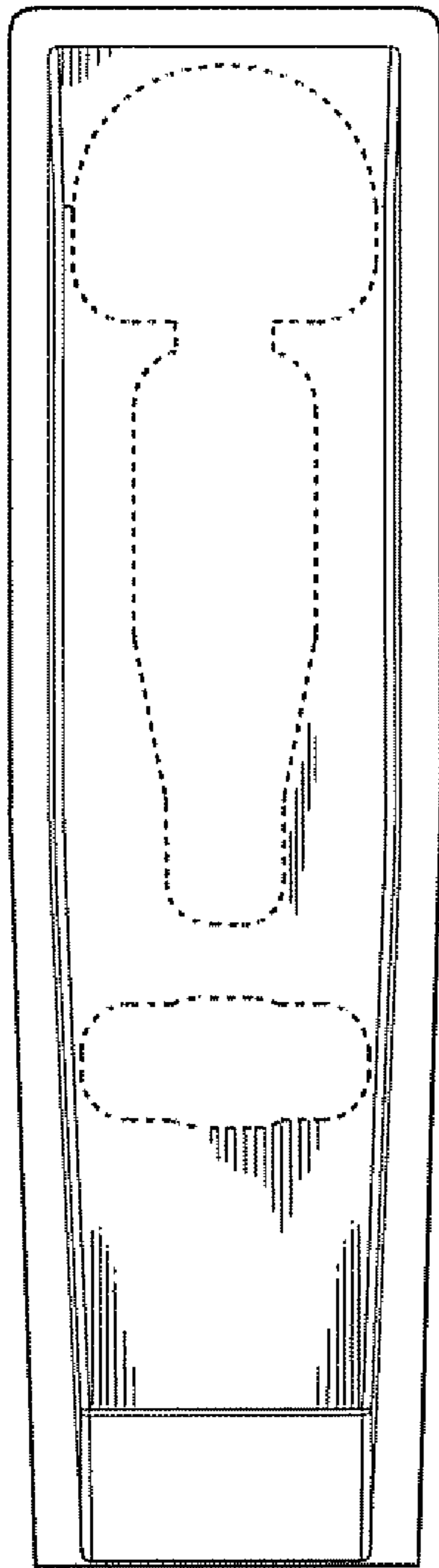


Figure 2

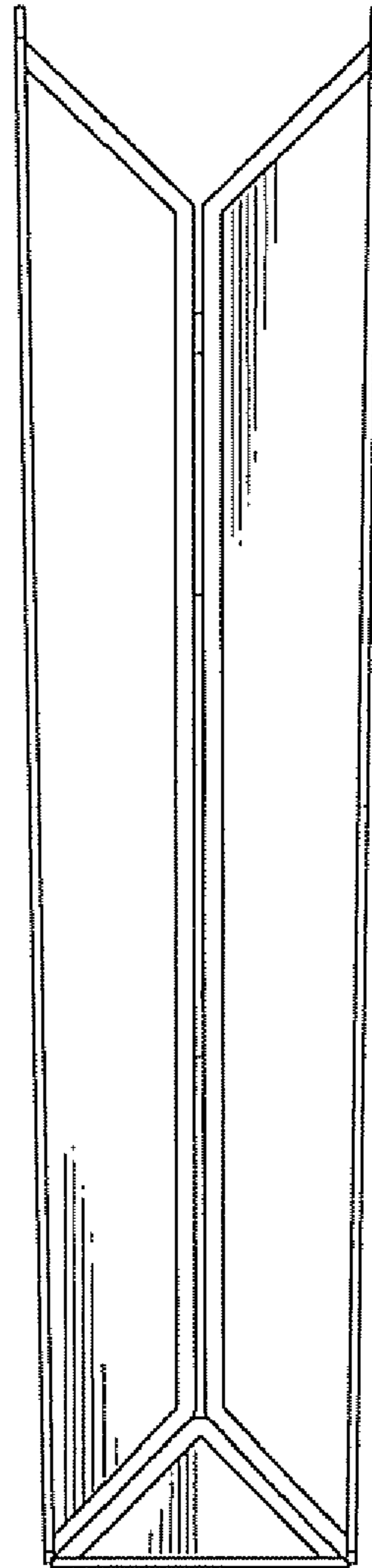


Figure 3

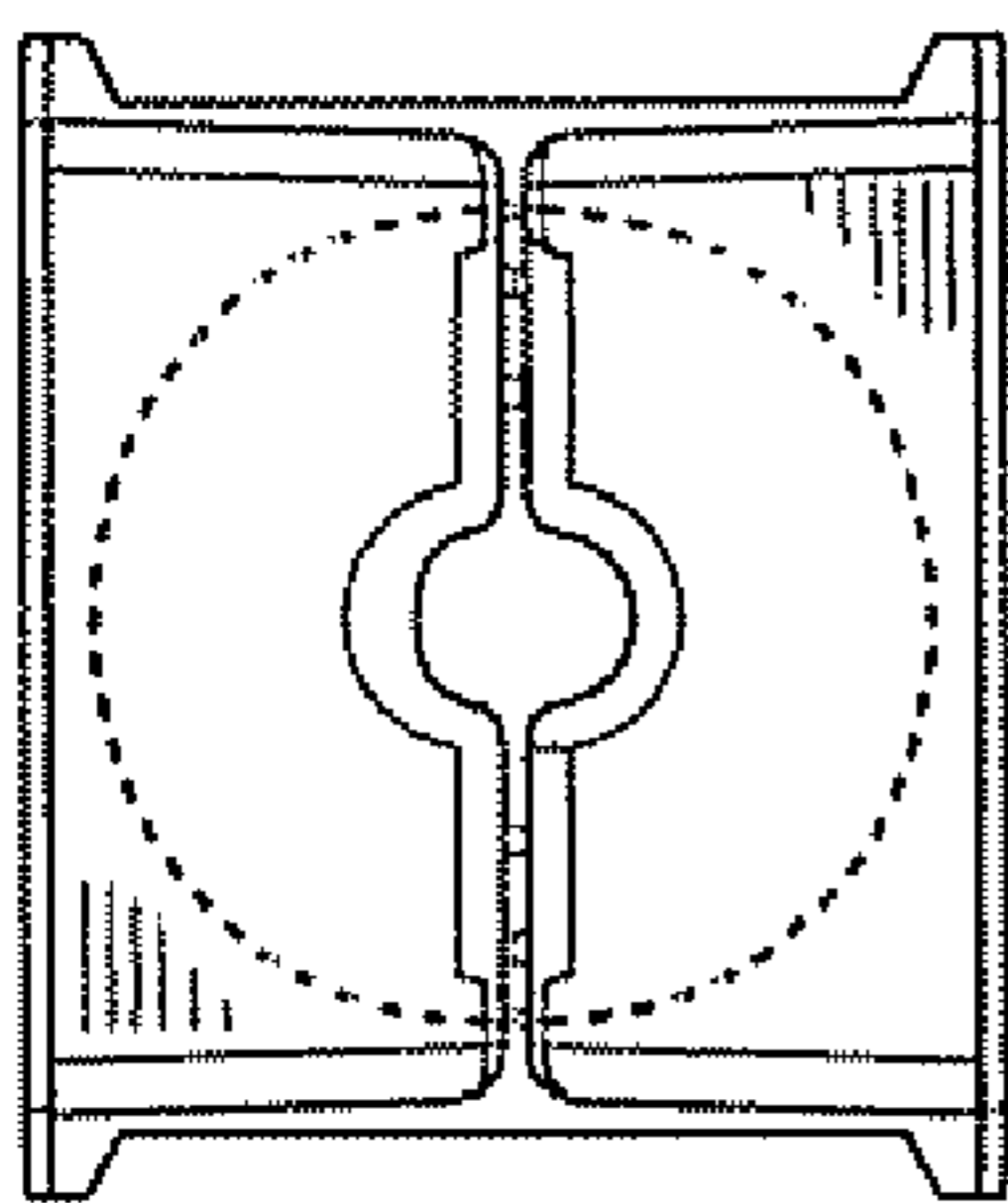


Figure 4

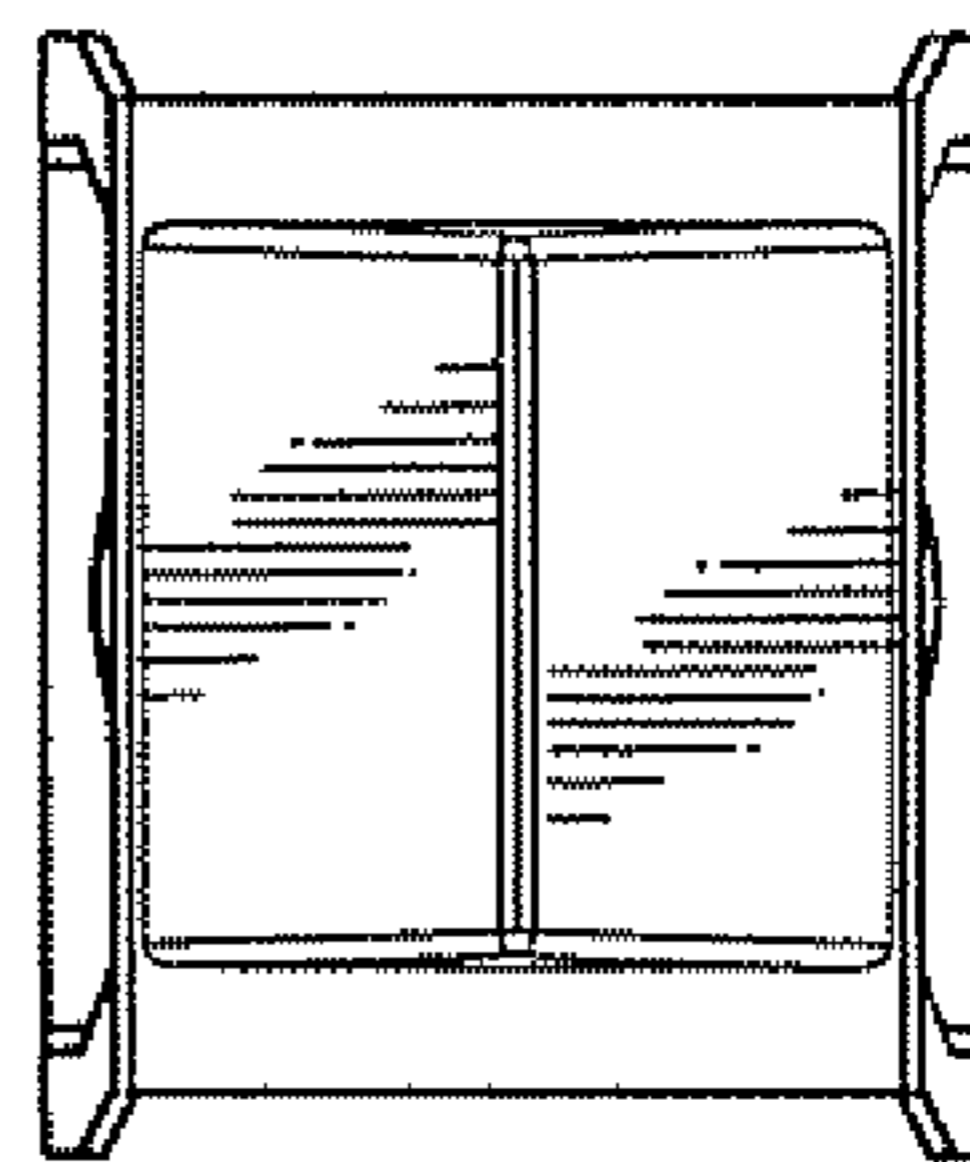


Figure 5

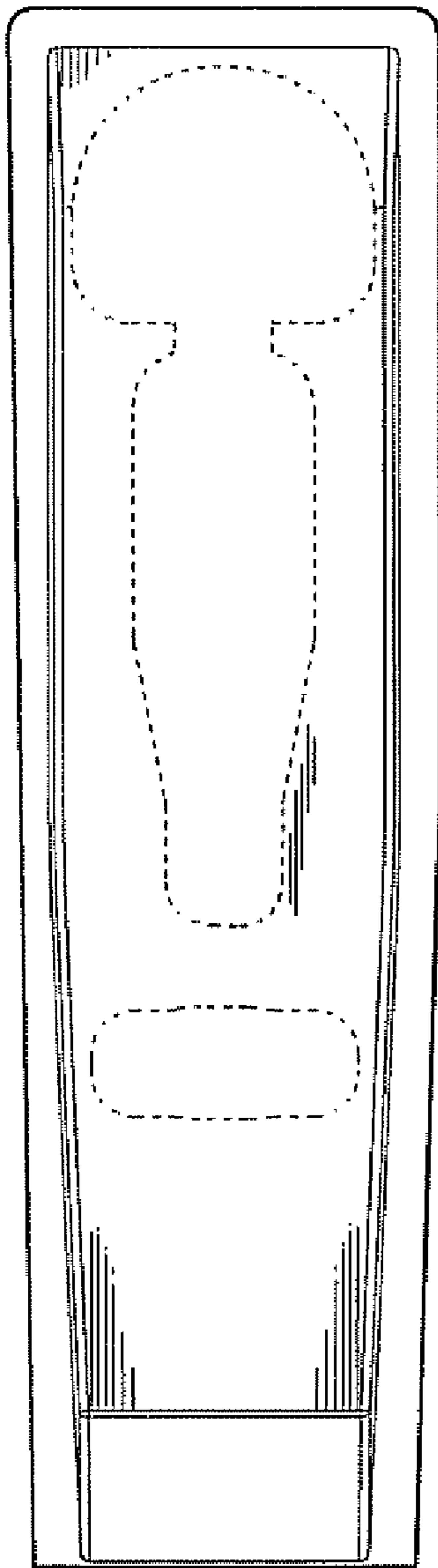


Figure 6

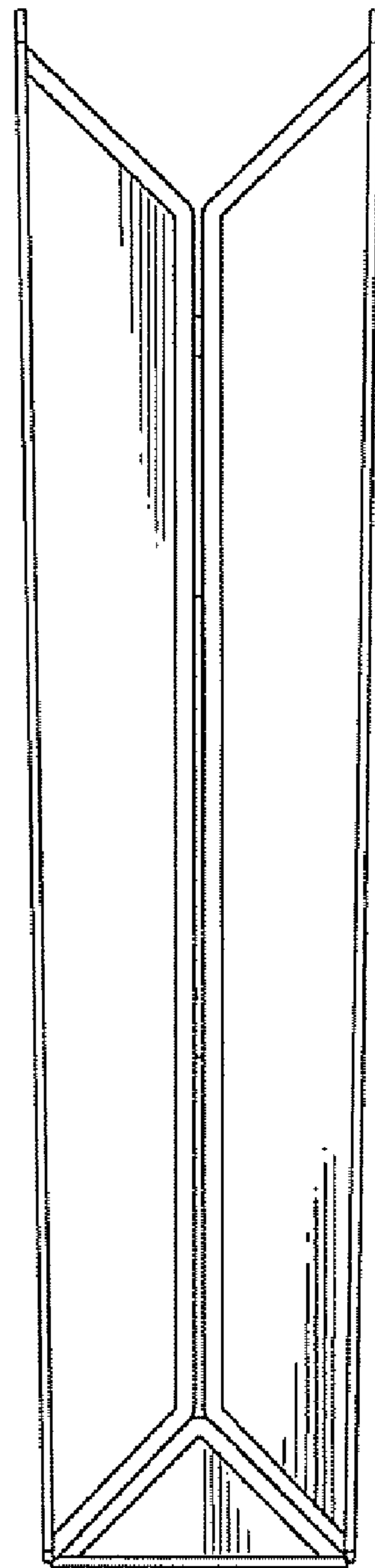


Figure 7

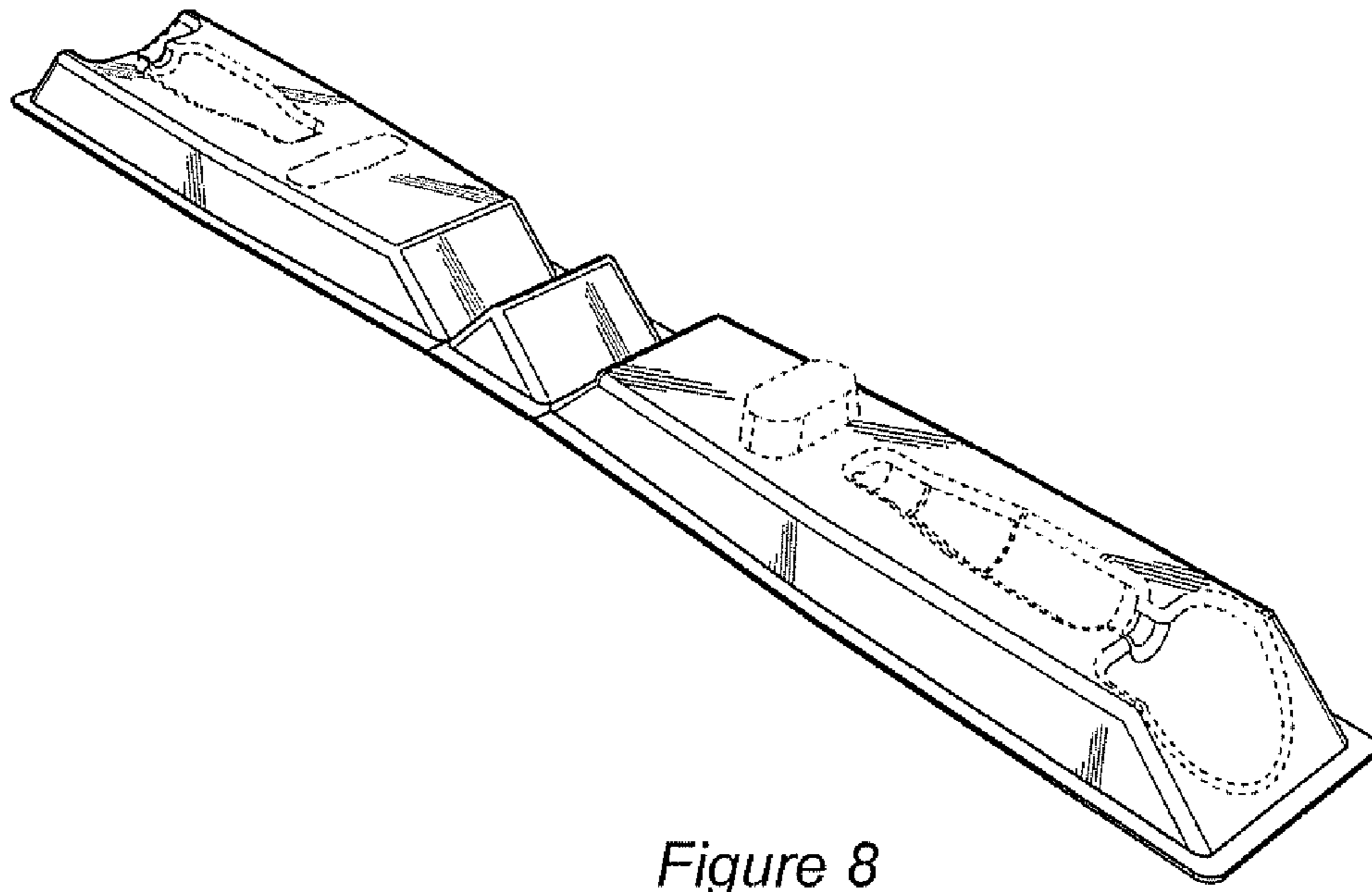


Figure 8

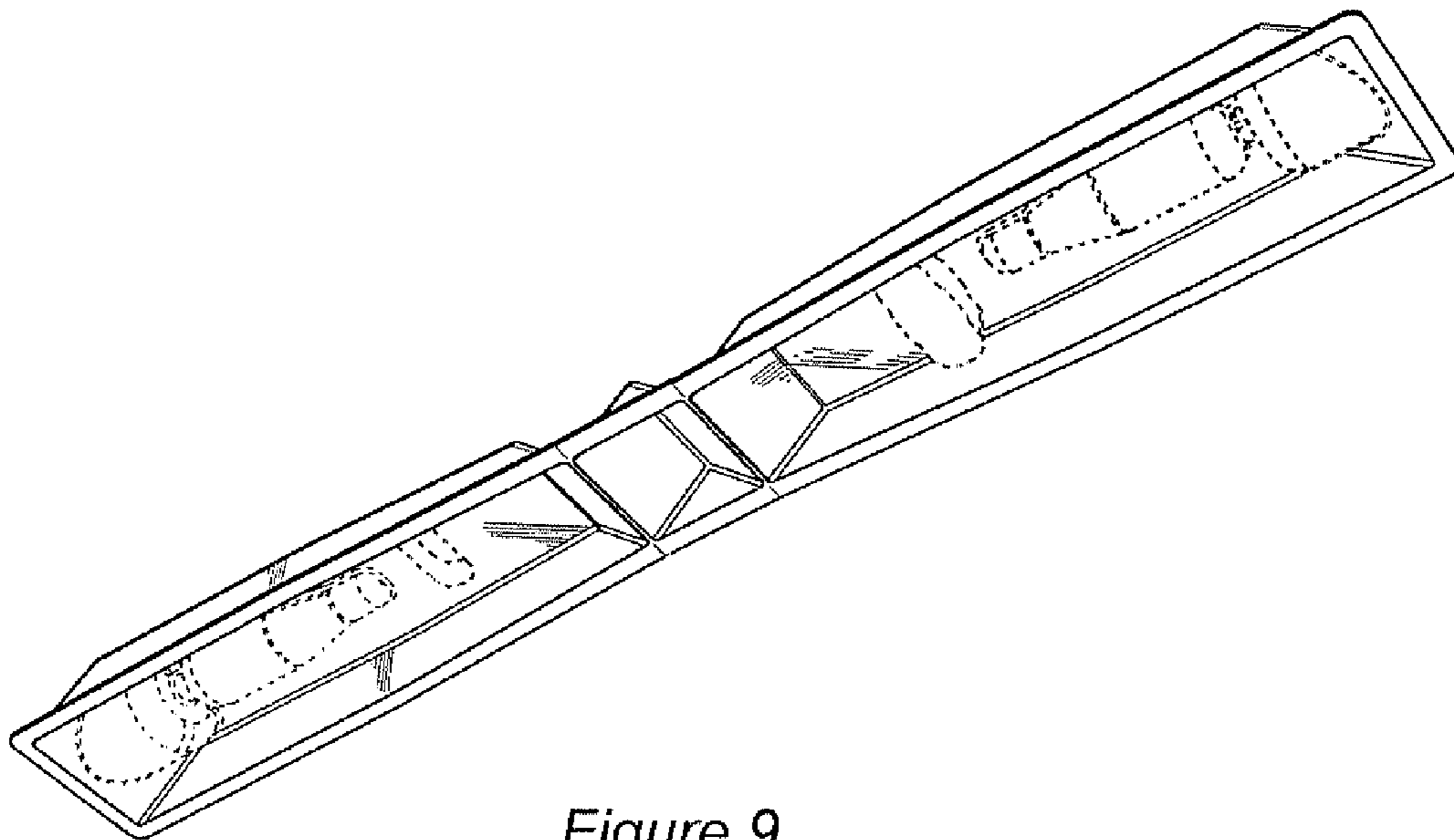


Figure 9

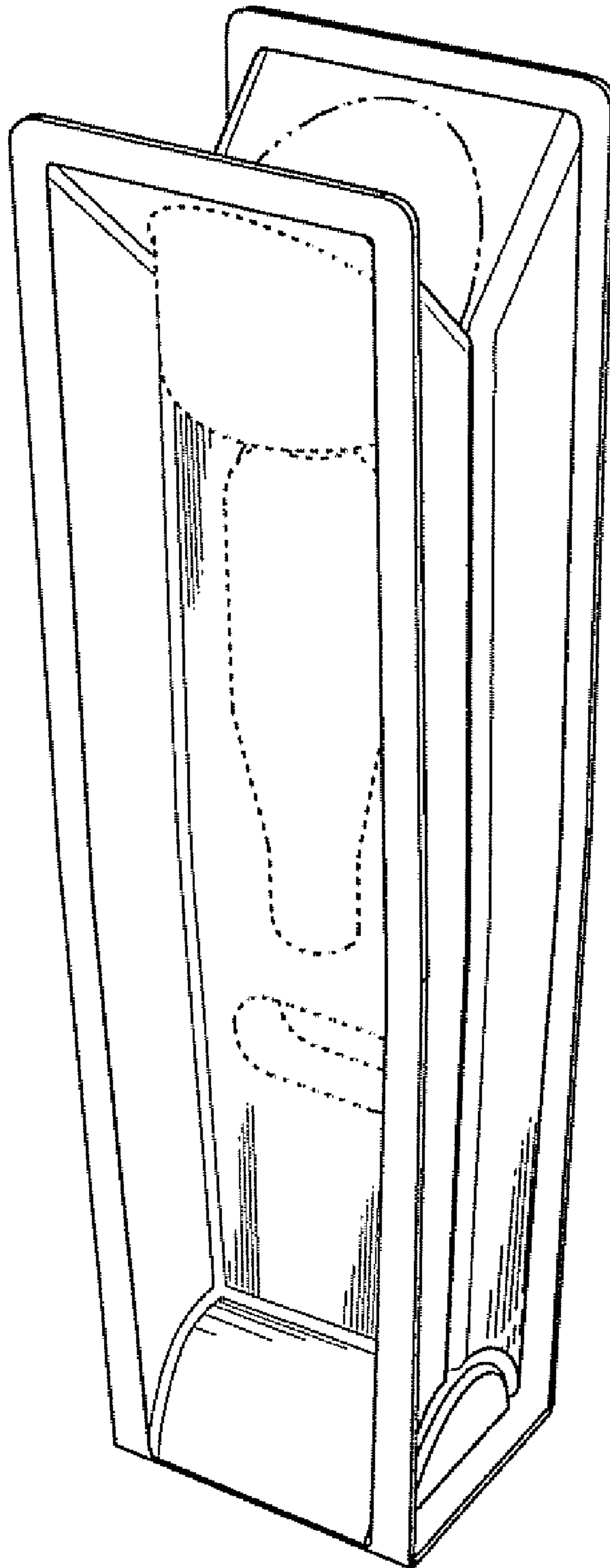


Figure 10

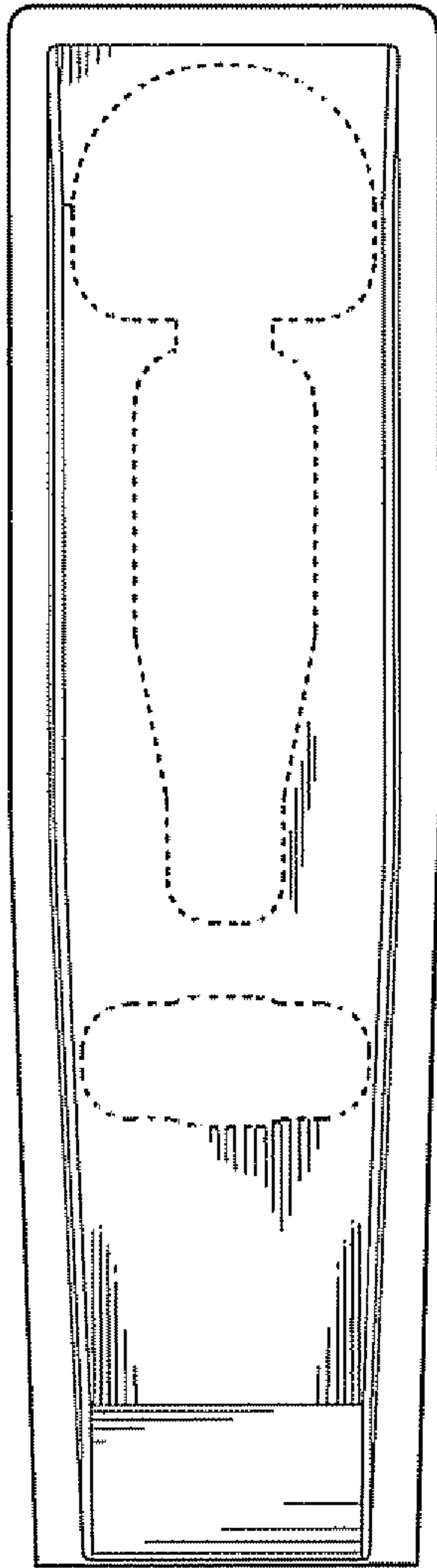


Figure 11

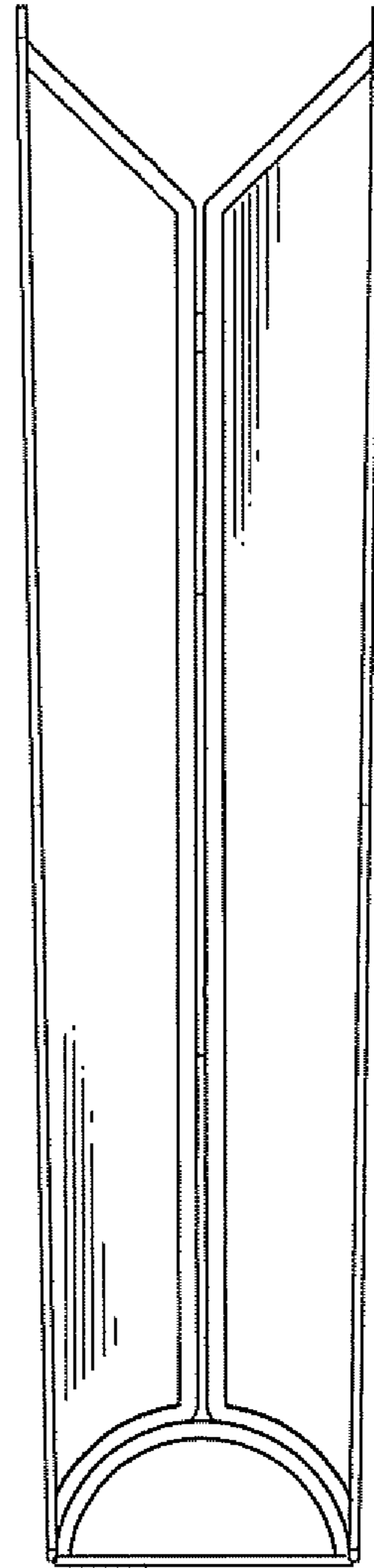


Figure 12

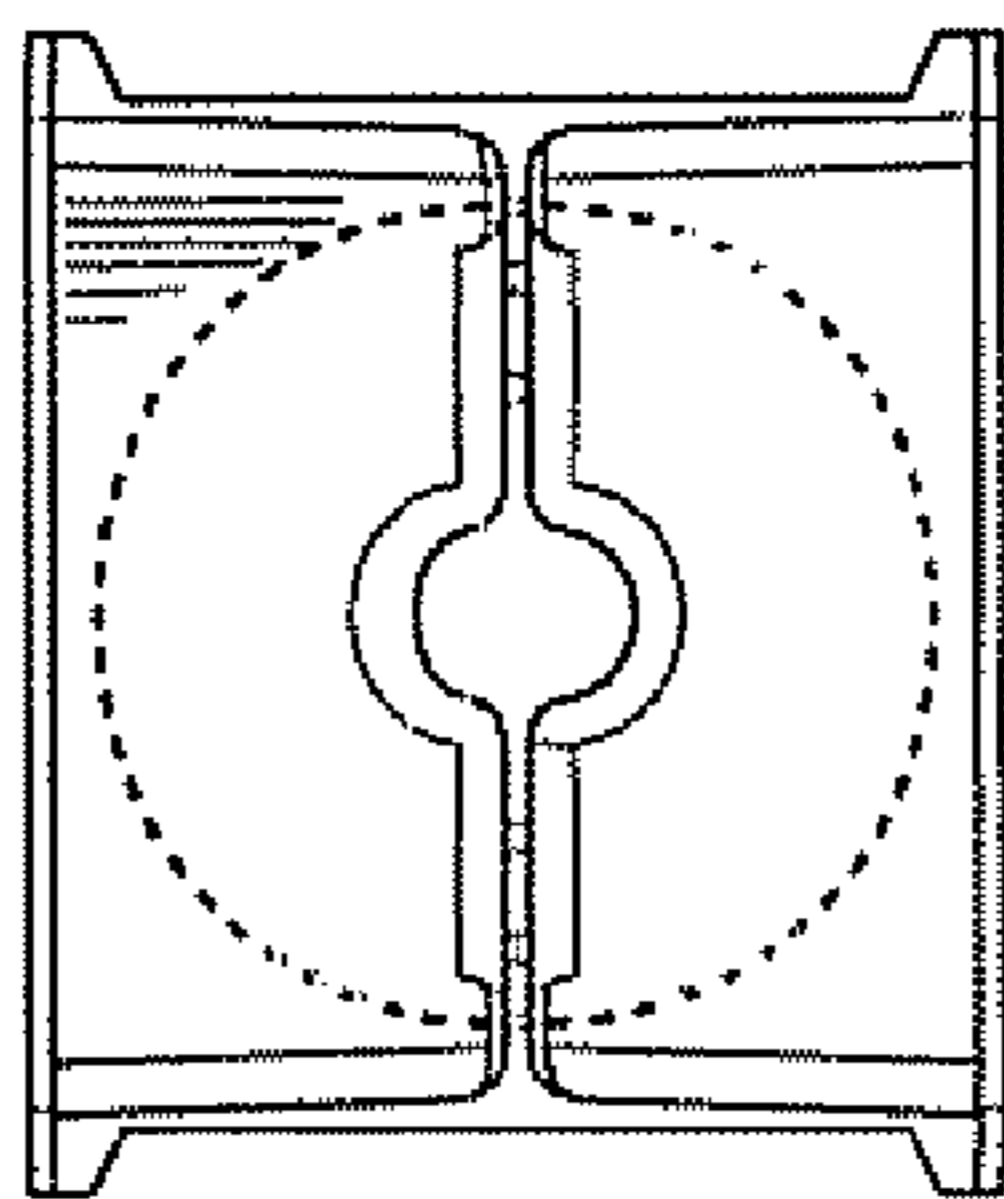


Figure 13

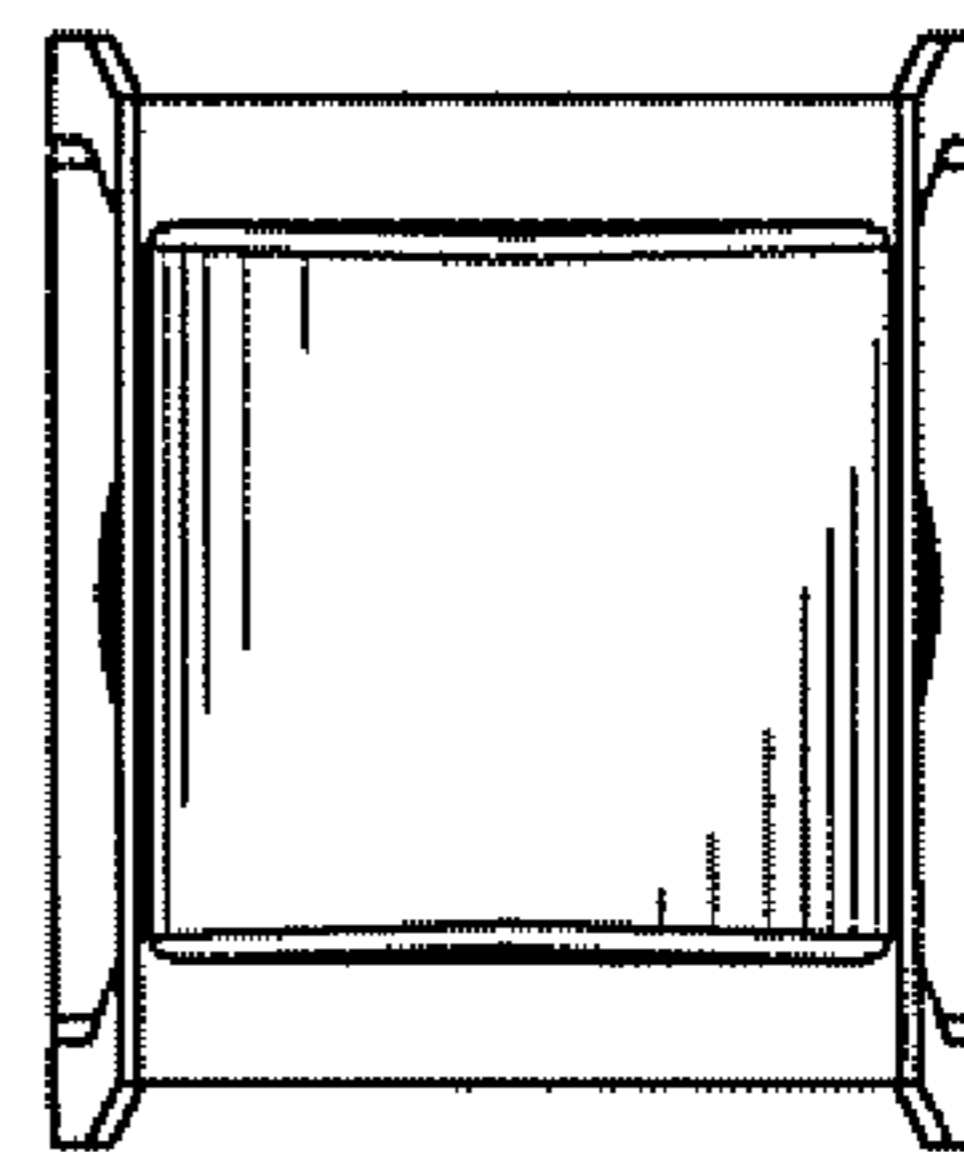


Figure 14

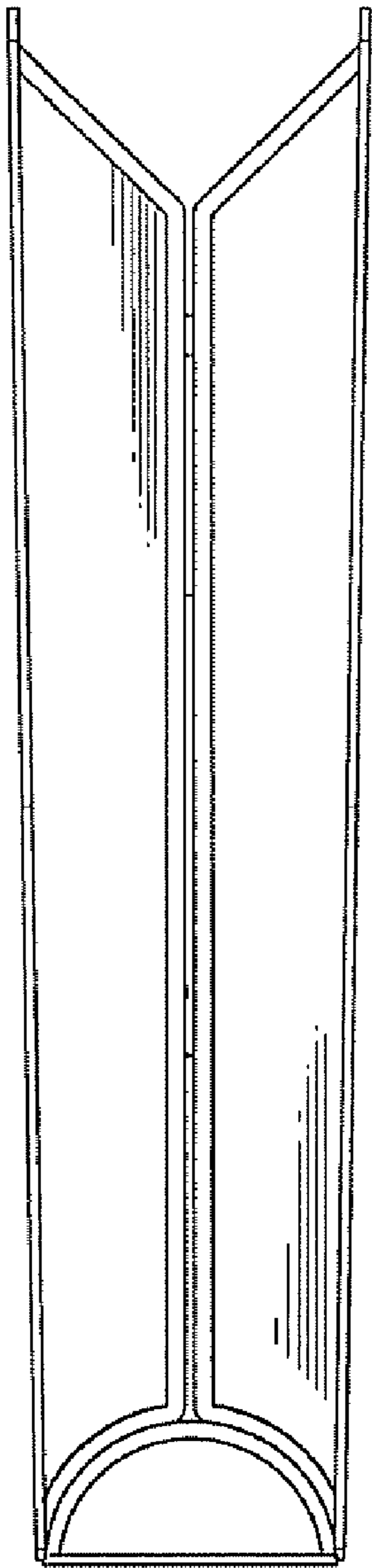


Figure 15

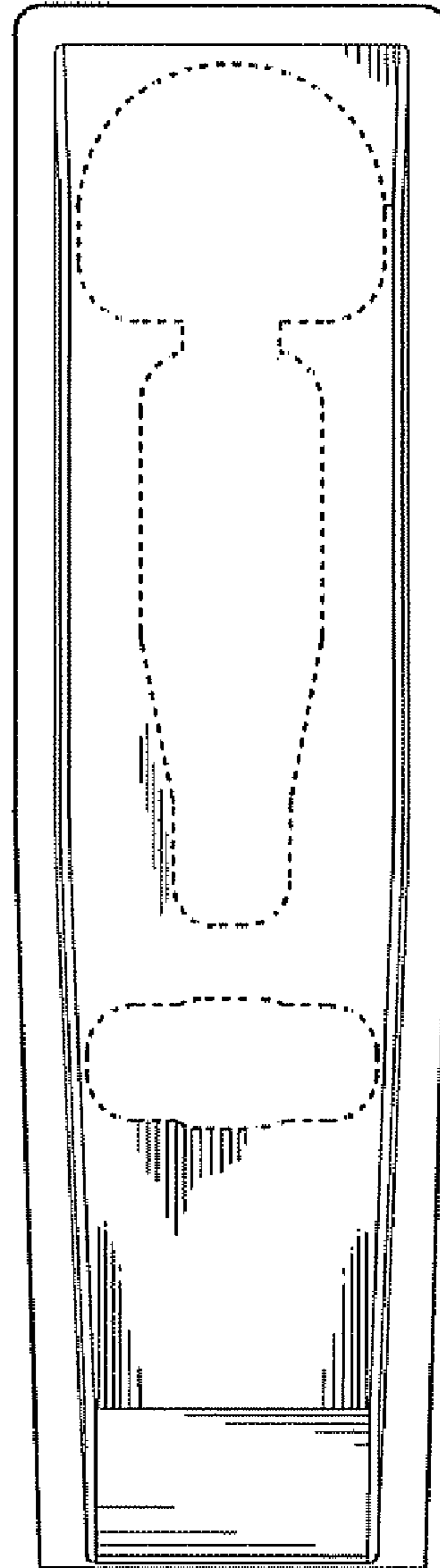


Figure 16



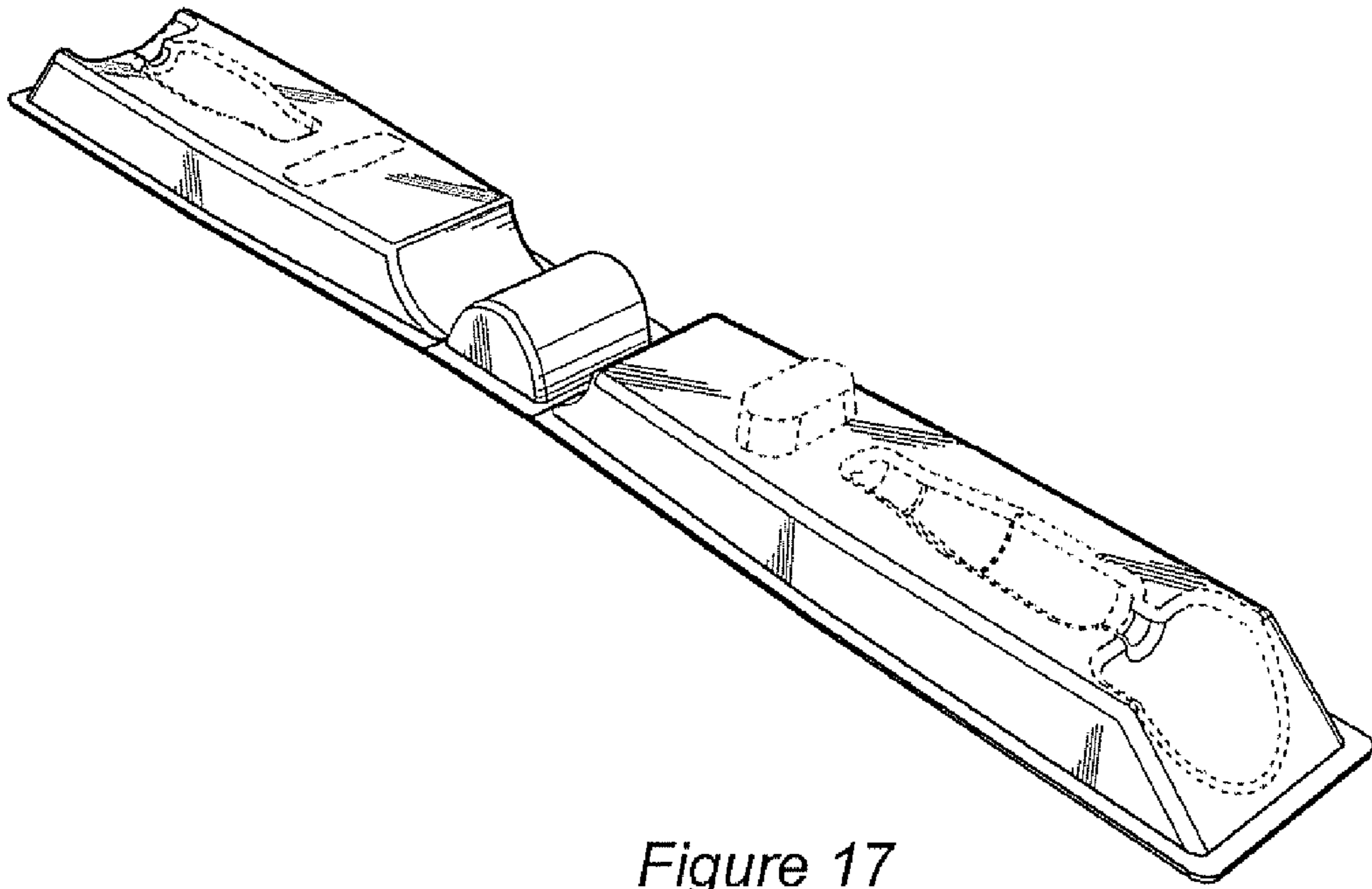


Figure 17

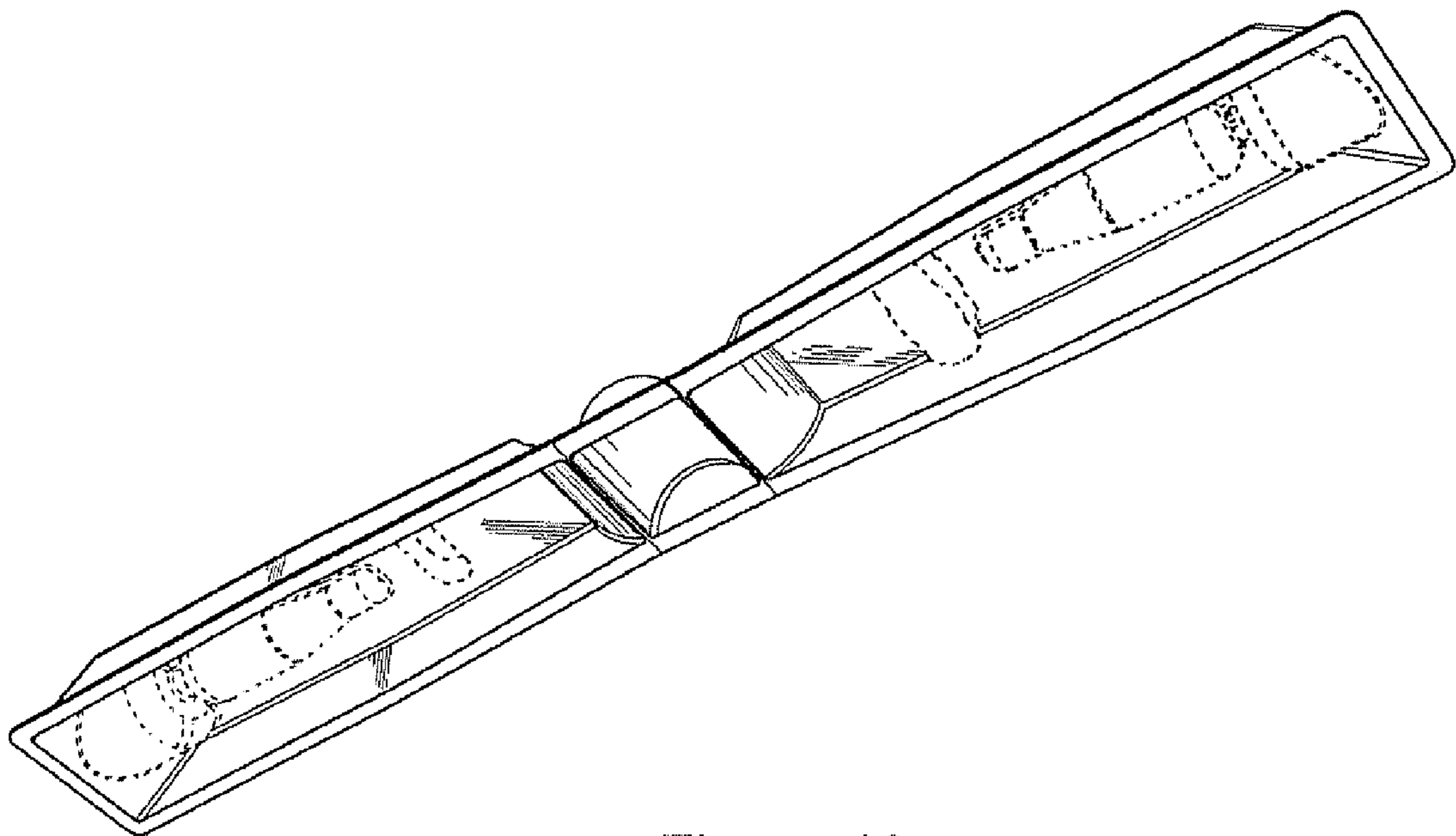


Figure 18