



US00D557133S

(12) **United States Design Patent**
Magill

(10) **Patent No.:** **US D557,133 S**

(45) **Date of Patent:** **** Dec. 11, 2007**

(54) **WINDOW GRILLE CLIP**

(75) Inventor: **Brian M Magill**, Cincinnati, OH (US)

(73) Assignee: **Clopay Building Products R & D Company, Inc.**, Mason, OH (US)

(**) Term: **14 Years**

(21) Appl. No.: **29/247,389**

(22) Filed: **Jun. 15, 2006**

(51) **LOC (8) Cl.** **08-05**

(52) **U.S. Cl.** **D8/400**

(58) **Field of Classification Search** D8/354,
D8/355, 373, 377, 380, 381, 400, 402, 499;
16/362-371, 341-342, DIG. 16, 82, 86 C;
49/345, 248-252, 246; 292/263
See application file for complete search history.

(56) **References Cited**

U.S. PATENT DOCUMENTS

1,108,914 A	9/1914	Landolt	
1,549,470 A	8/1925	Egbert	
2,681,481 A	6/1954	Mason	
D182,419 S *	4/1958	Labrie	D8/373
D189,963 S *	3/1961	Sodeman	D8/400
3,058,517 A	10/1962	Jacobs et al.	
3,099,865 A	8/1963	Burnett	
3,221,462 A	12/1965	Pomeroy	
D206,680 S *	1/1967	Hedberg	D8/354
3,340,661 A	9/1967	Krieger	
3,358,412 A	12/1967	Martin	
3,372,522 A	3/1968	Engstrom	
3,381,431 A	5/1968	Jacobson	
3,411,258 A	11/1968	Kessler	
3,645,058 A	2/1972	Jacobson et al.	
3,918,202 A	11/1975	Smith	
D239,593 S *	4/1976	Douma	D8/354
4,000,590 A	1/1977	Kordewick	
D251,542 S *	4/1979	Ozvath et al.	D8/343
4,437,284 A	3/1984	Cribben et al.	
4,644,721 A	2/1987	Bloomquist et al.	
4,671,031 A	6/1987	Intengan	
4,681,354 A	7/1987	Warwick	

4,702,055 A	10/1987	Ralph	
4,707,963 A	11/1987	Governale	
D298,604 S *	11/1988	Newton	D8/380
4,838,001 A	6/1989	Battles	
4,854,100 A	8/1989	La See	
4,858,386 A	8/1989	Nail	
D309,707 S *	8/1990	Barnes	D8/381
4,970,840 A	11/1990	Ouellette et al.	
D315,490 S *	3/1991	McAfee	D8/354
5,174,063 A	12/1992	Lewis et al.	
D332,213 S *	1/1993	Woyach et al.	D8/499

(Continued)

FOREIGN PATENT DOCUMENTS

GB 2106580 4/1983

Primary Examiner—Cathron Brooks
Assistant Examiner—Barbara Fox
(74) *Attorney, Agent, or Firm*—Wood, Herron & Evans, LLP

(57) **CLAIM**

The ornamental design for a window grille clip, as shown and described.

DESCRIPTION

FIG. 1 is a perspective view of a window grille clip according to this invention and shown on a window grille drawn in phantom lines.

FIG. 2 is an enlarged perspective view of the window grille clip of FIG. 1.

FIG. 3 is a front elevational view thereof.

FIG. 4 is a left side elevational view thereof with the right side view being a mirror image thereof.

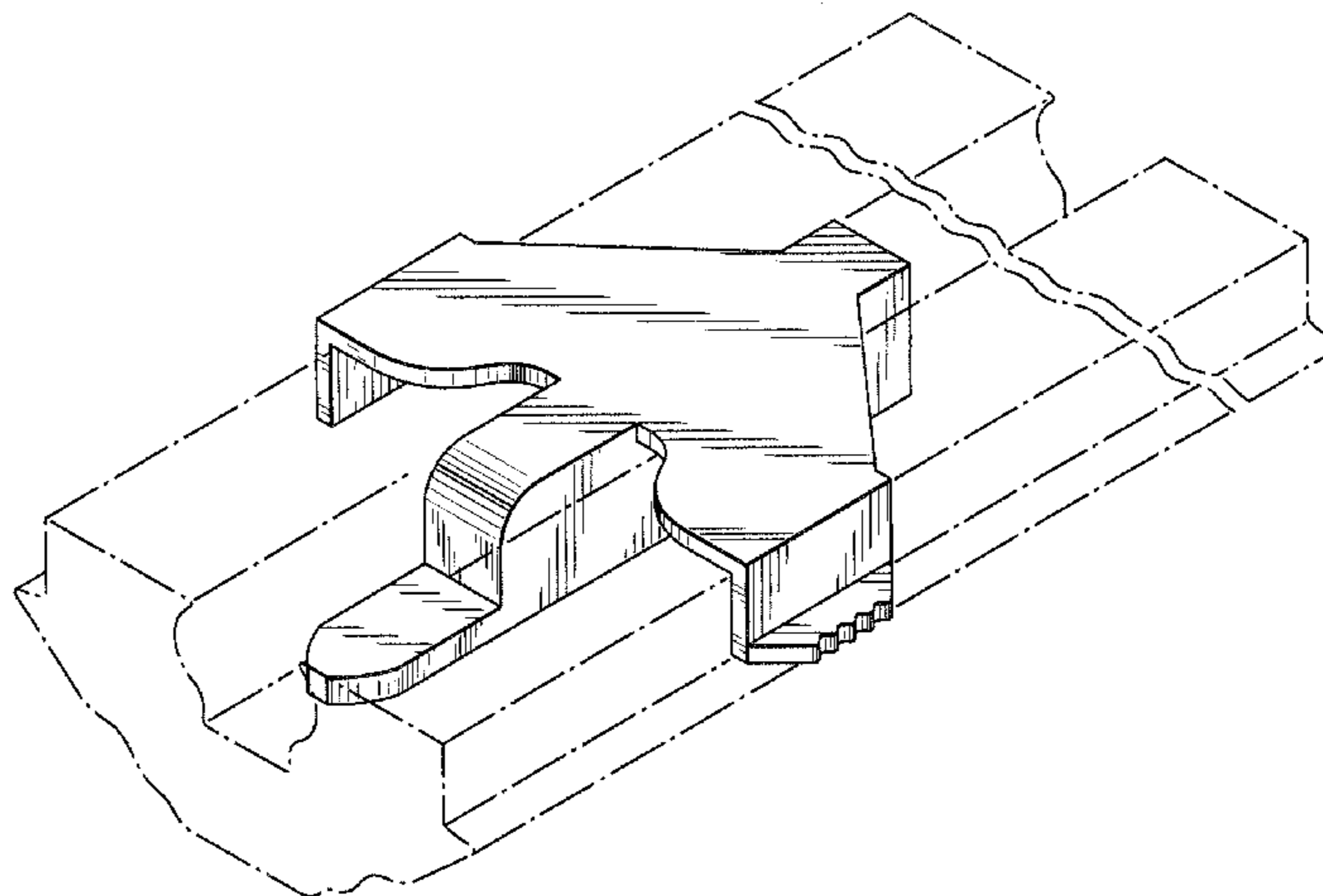
FIG. 5 is a rear elevational view thereof.

FIG. 6 is a top plan view thereof; and,

FIG. 7 is a bottom plan view thereof.

The broken lines in the drawings represent unclaimed subject matter.

1 Claim, 3 Drawing Sheets



US D557,133 S

Page 2

U.S. PATENT DOCUMENTS

5,226,919	A	7/1993	Milligan	6,230,456	B1	5/2001	Merchlewitz
5,269,096	A	12/1993	Hade	6,244,013	B1	6/2001	Lee
5,437,133	A	8/1995	Pliml	6,481,158	B1	11/2002	Marks
D364,794	S	* 12/1995	Eberschlag	6,494,002	B1	12/2002	Gieseke
			D8/354	6,718,704	B2	4/2004	Plummer et al.
6,026,621	A	2/2000	Fisher	6,898,914	B2	5/2005	Folsom et al.
6,085,481	A	7/2000	Lee	2001/0034990	A1	11/2001	Reichert
6,128,871	A	10/2000	Corey	2002/0166297	A1	11/2002	Plummer et al.
6,131,356	A	10/2000	Gieseke				
6,155,010	A	12/2000	Becken et al.				

* cited by examiner

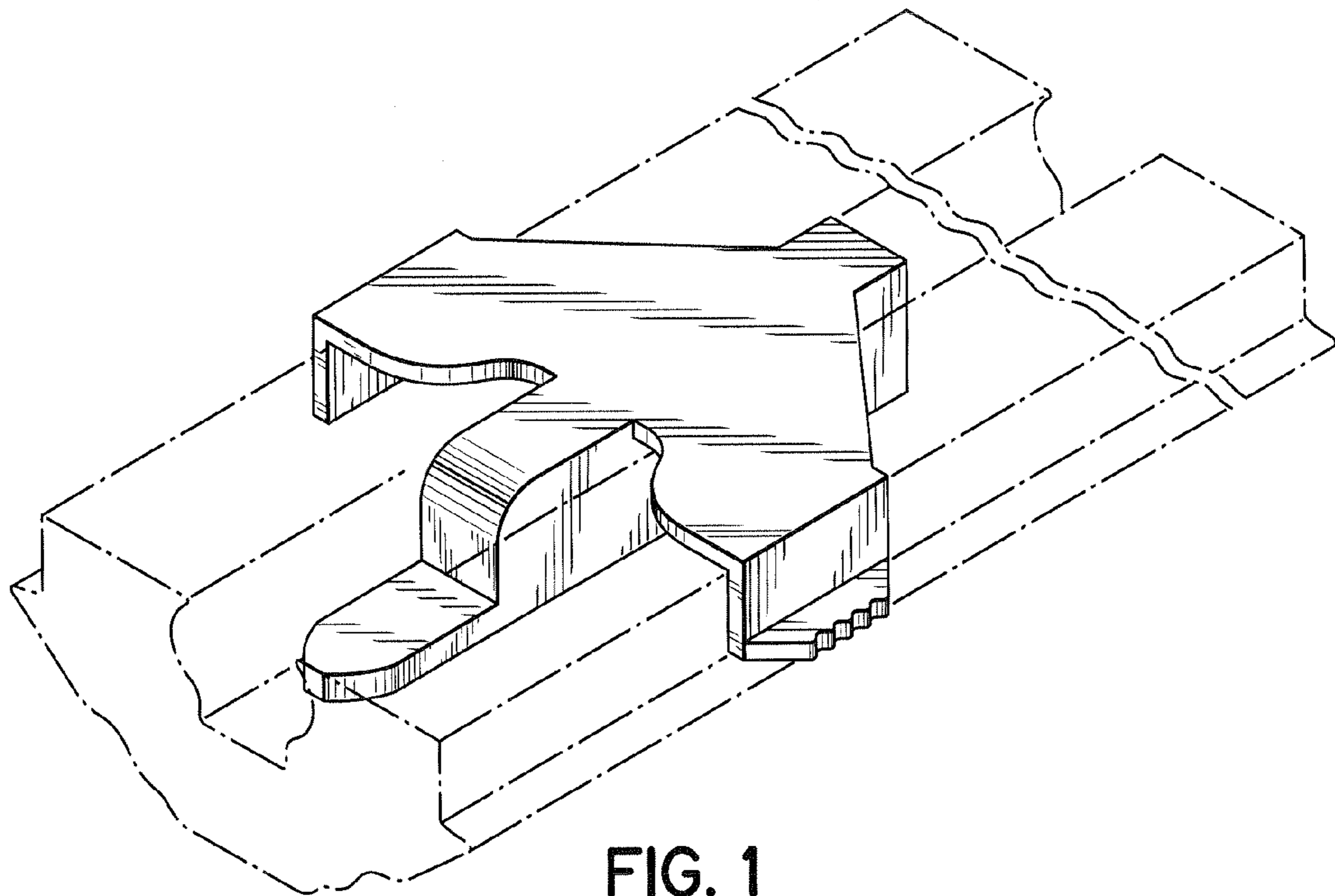


FIG. 1

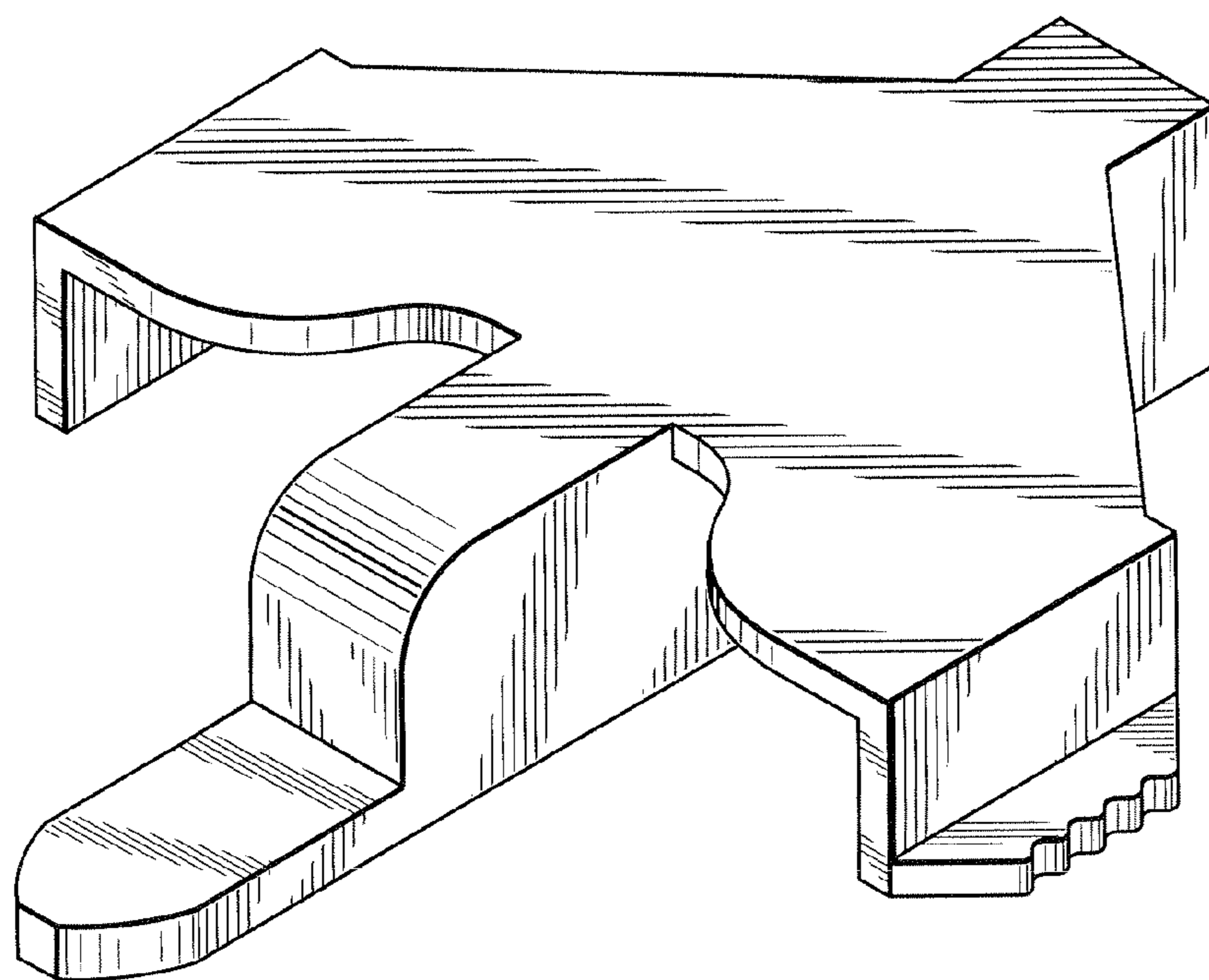


FIG. 2

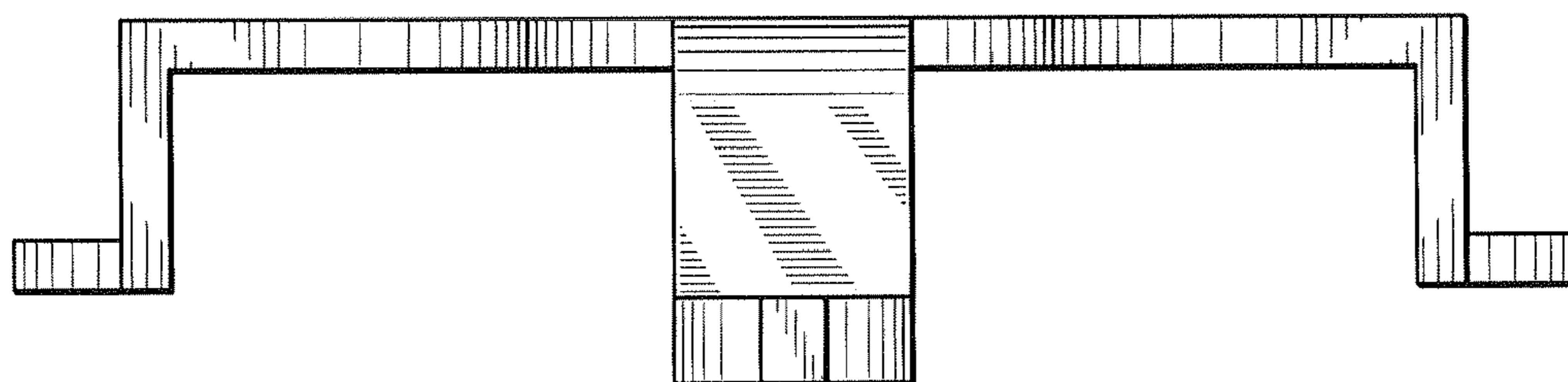


FIG. 3

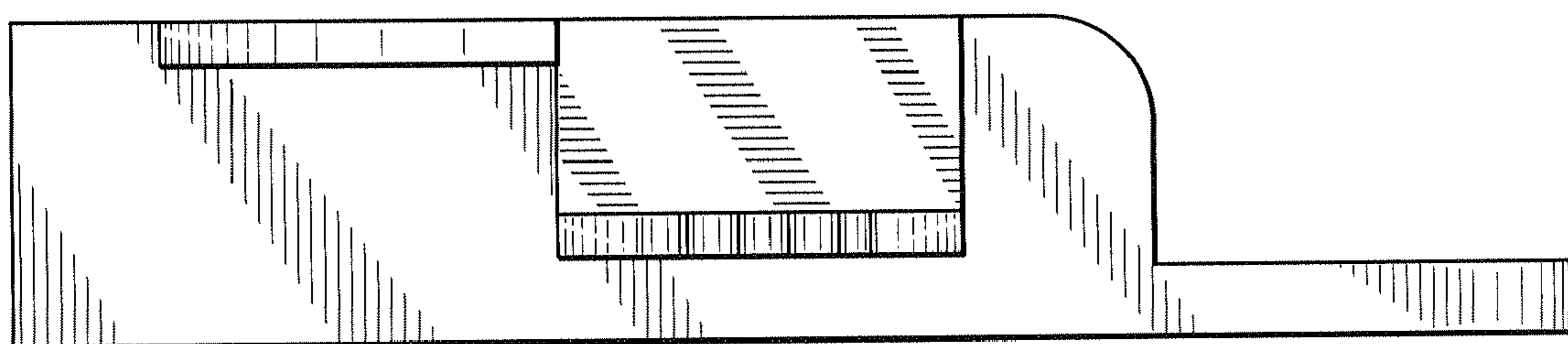


FIG. 4

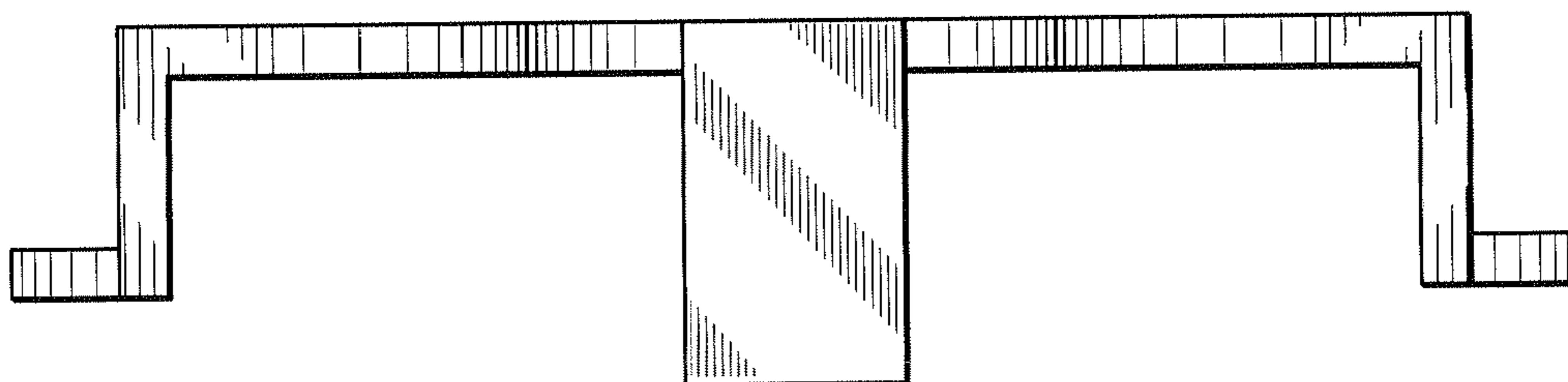


FIG. 5

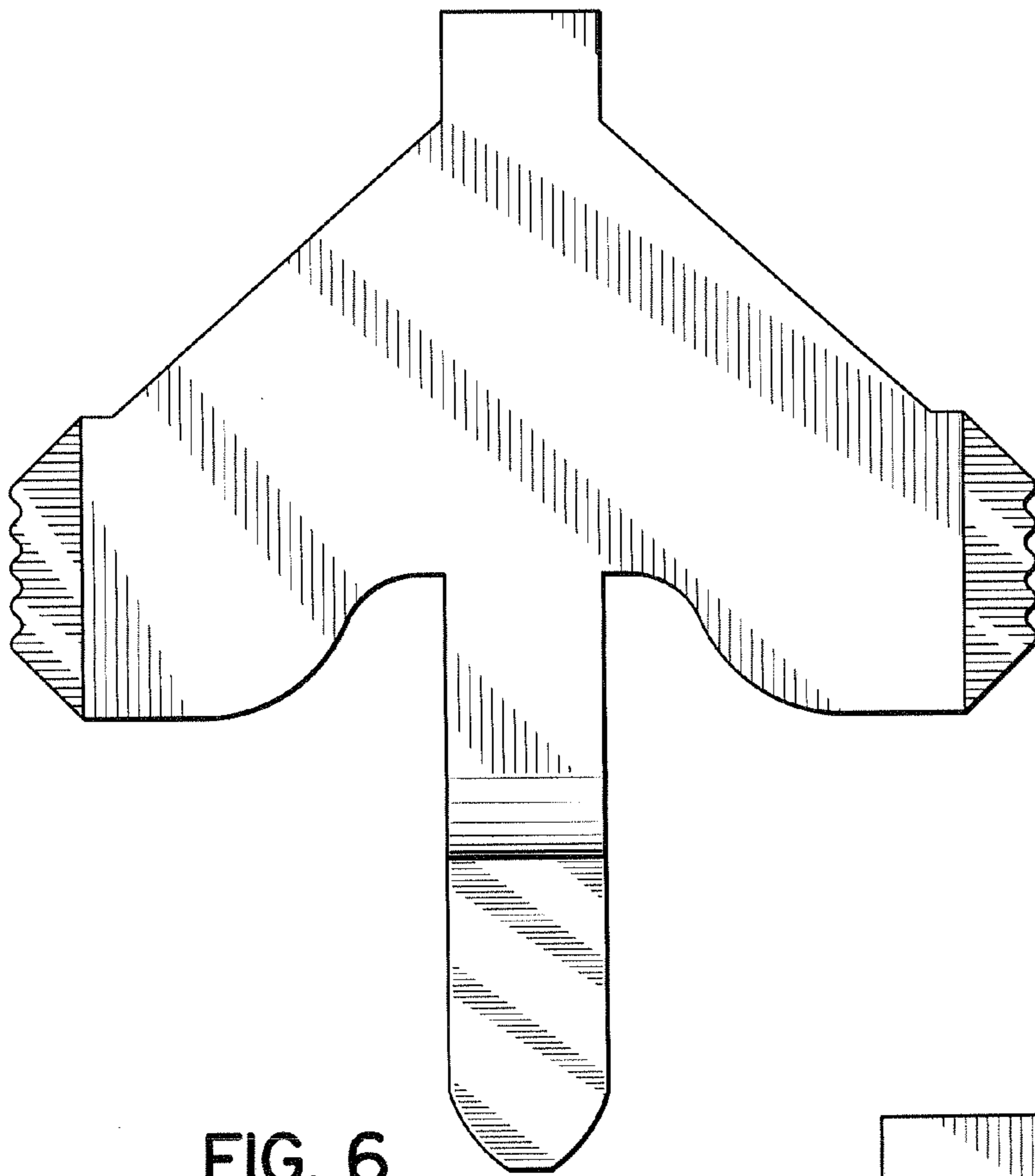


FIG. 6

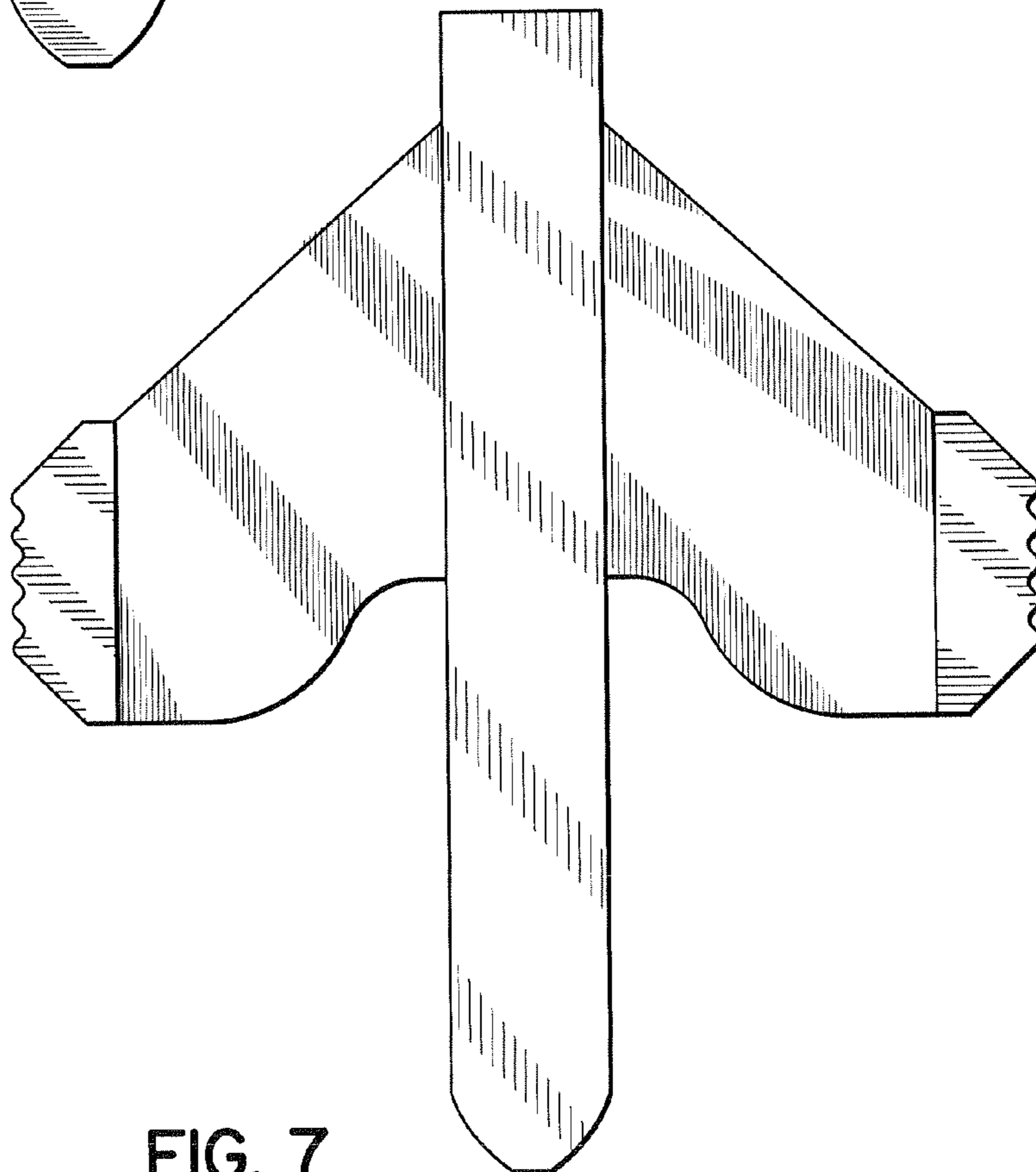


FIG. 7