



US00D557132S

(12) **United States Design Patent** (10) **Patent No.:** **US D557,132 S**
Shinjo (45) **Date of Patent:** **** Dec. 11, 2007**

(54) **SELF-PIERCING NUT**

(75) Inventor: **Tadashi Shinjo**, Osaka (JP)

(73) Assignee: **Shinjo Manufacturing Co., Ltd.**,
Osaka (JP)

(**) Term: **14 Years**

(21) Appl. No.: **29/250,227**

(22) Filed: **Nov. 7, 2006**

(30) **Foreign Application Priority Data**

Jun. 5, 2006 (JP) 2006-014418

(51) **LOC (8) Cl.** **08-08**

(52) **U.S. Cl.** **D8/397**

(58) **Field of Classification Search** D8/382,
D8/387, 397, 398, 399; 411/81, 88, 90-93,
411/96-98, 103, 114, 106-108, 132-165,
411/172-189, 197, 204, 248, 337, 338, 366.1,
411/366.2, 366.3, 368-369, 371.2, 371.5,
411/418, 427, 429-432, 436, 437, 526, 531-538,
411/542, 544; 70/229; 301/35, 623, 111.01
See application file for complete search history.

(56) **References Cited**

U.S. PATENT DOCUMENTS

3,204,679	A *	9/1965	Walsh	411/180
3,213,914	A *	10/1965	Baumle et al.	411/179
4,132,145	A *	1/1979	Becker	411/427
4,154,138	A *	5/1979	Melone	411/373
4,267,870	A *	5/1981	Warner	411/98
D273,561	S *	4/1984	Ozaki et al.	D8/397
D281,953	S *	12/1985	Newman	D8/397
D308,011	S *	5/1990	Norris	D8/356
5,222,963	A *	6/1993	Brinkerhoff et al.	606/153
5,489,176	A *	2/1996	Fultz	411/181
5,531,552	A *	7/1996	Takahashi et al.	411/179
5,537,783	A *	7/1996	Kazino et al.	49/375

5,549,430	A *	8/1996	Takahashi et al.	411/179
D374,814	S *	10/1996	Saito	D8/387
6,050,741	A *	4/2000	Aultman et al.	403/374.1
D450,235	S *	11/2001	Shinjo et al.	D8/397
D452,428	S *	12/2001	Shinjo et al.	D8/397
D453,000	S *	1/2002	Shinjo et al.	D8/397
6,588,242	B1 *	7/2003	Beaty	70/231
2001/0010789	A1 *	8/2001	Pamer et al.	411/179
2002/0136617	A1 *	9/2002	Imahigashi	411/533
2005/0042059	A1 *	2/2005	Bremer	411/433
2005/0084362	A1 *	4/2005	Nah, II	411/180
2005/0163590	A1 *	7/2005	Ward et al.	411/179
2005/0180838	A1 *	8/2005	Shinjo	411/179
2006/0099048	A1 *	5/2006	Ward et al.	411/432

* cited by examiner

Primary Examiner—T. Chase Nelson

Assistant Examiner—Karen Acker

(74) *Attorney, Agent, or Firm*—Antonelli, Terry, Stout & Kraus, LLP.

(57) **CLAIM**

The ornamental design for a self-piercing nut, as shown and described.

DESCRIPTION

FIG. 1 is a perspective view of the self-piercing nut;
 FIG. 2 is a front elevation thereof, the rear elevation being identical;
 FIG. 3 is a top plan view thereof;
 FIG. 4 is a bottom plan view thereof;
 FIG. 5 is a right-side elevation thereof. The left-side elevation being identical;
 FIG. 6 is a cross section taken along the line 6—6 in FIG. 3; and,
 FIG. 7 is a cross section taken along the line 7—7 in FIG. 3.

1 Claim, 4 Drawing Sheets

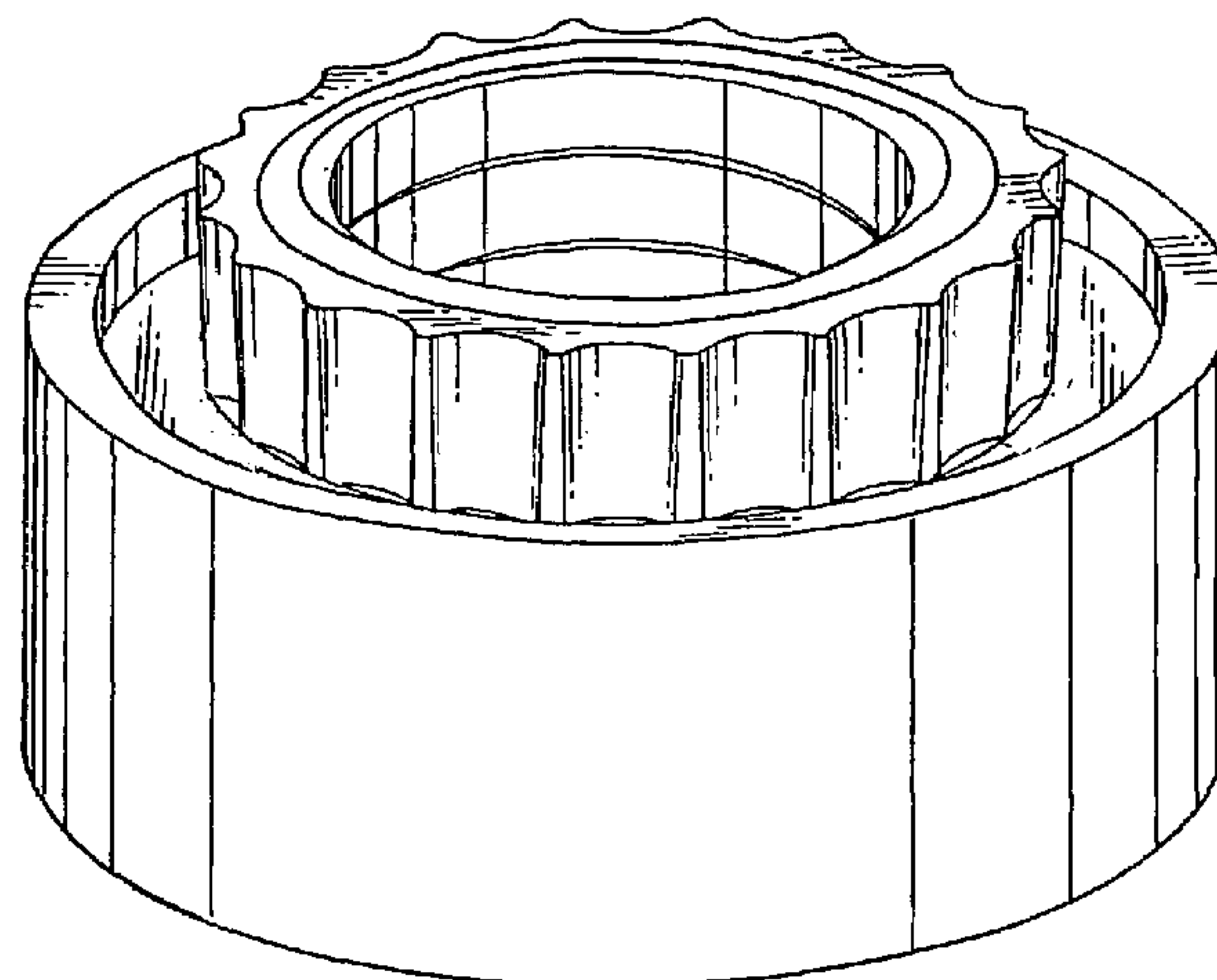


Fig. 1

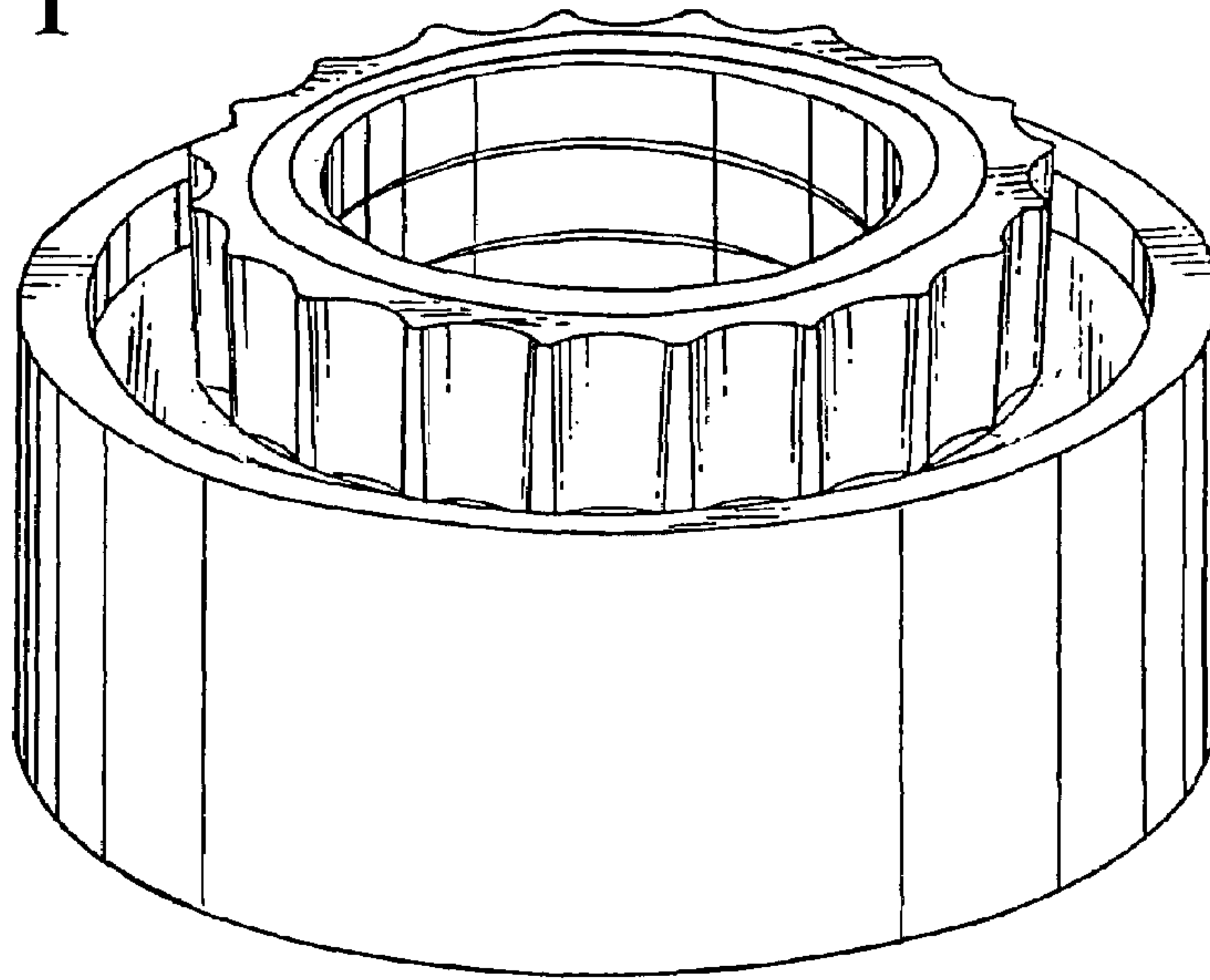


Fig. 2

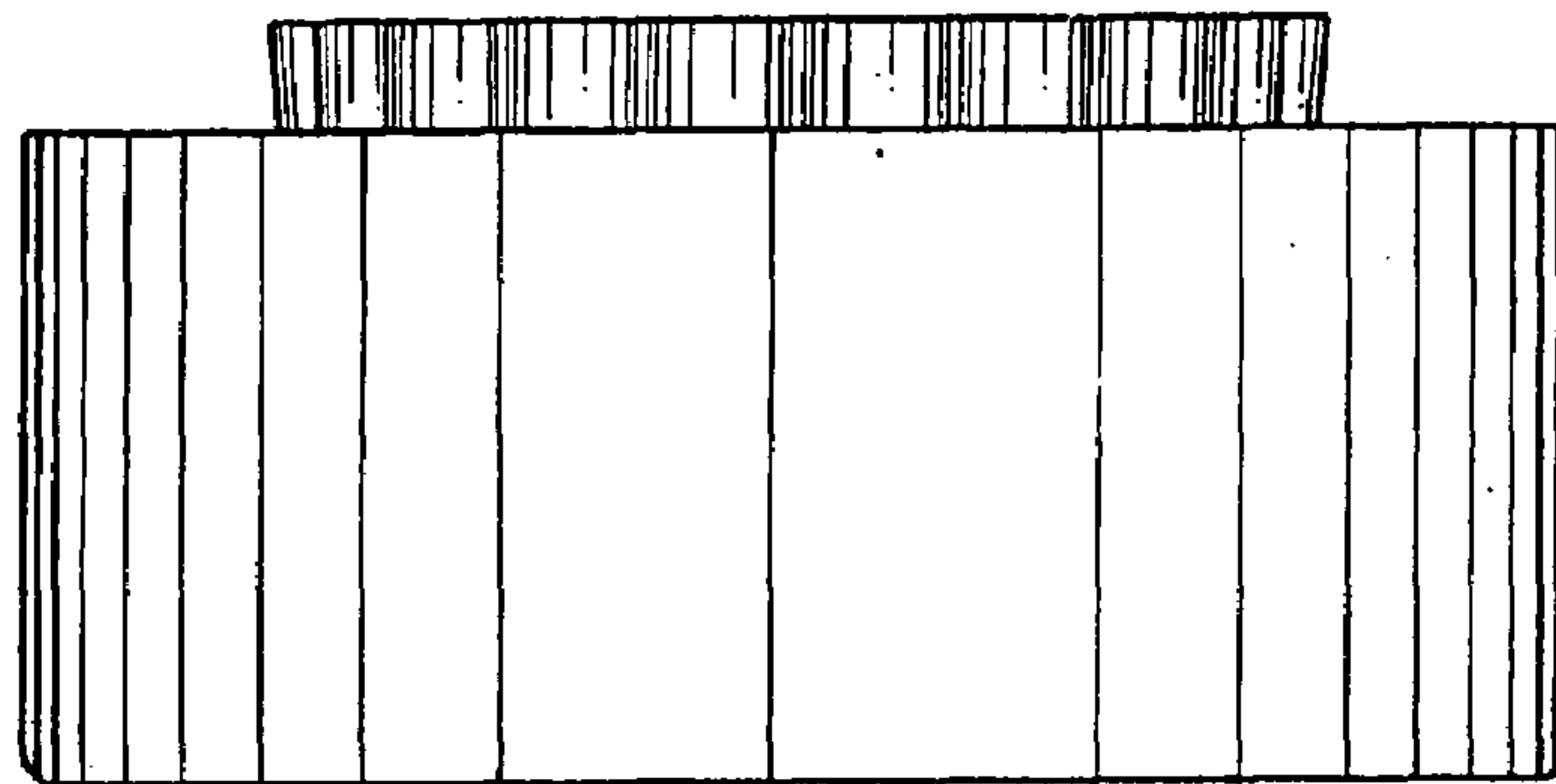


Fig. 3

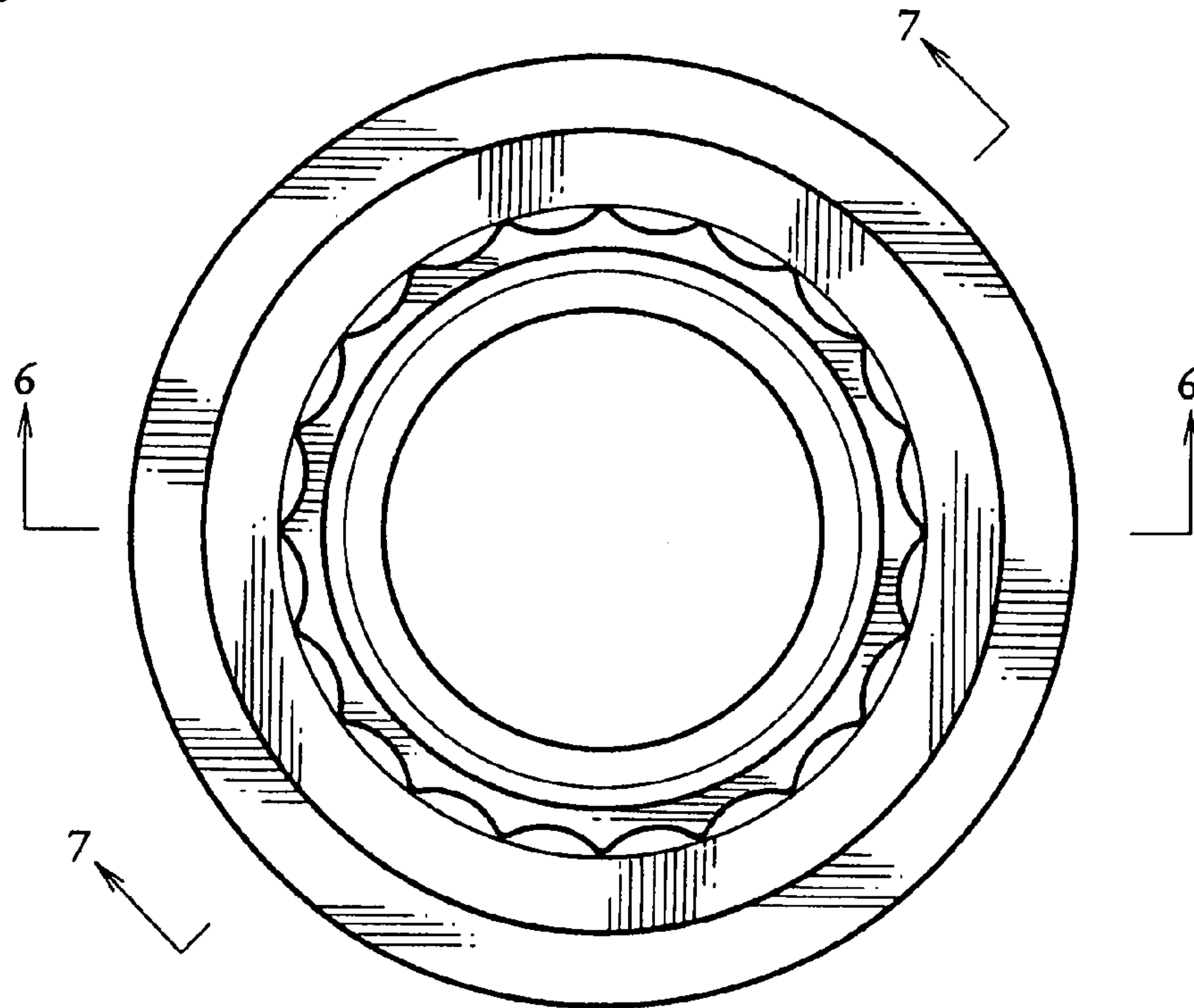


Fig. 4

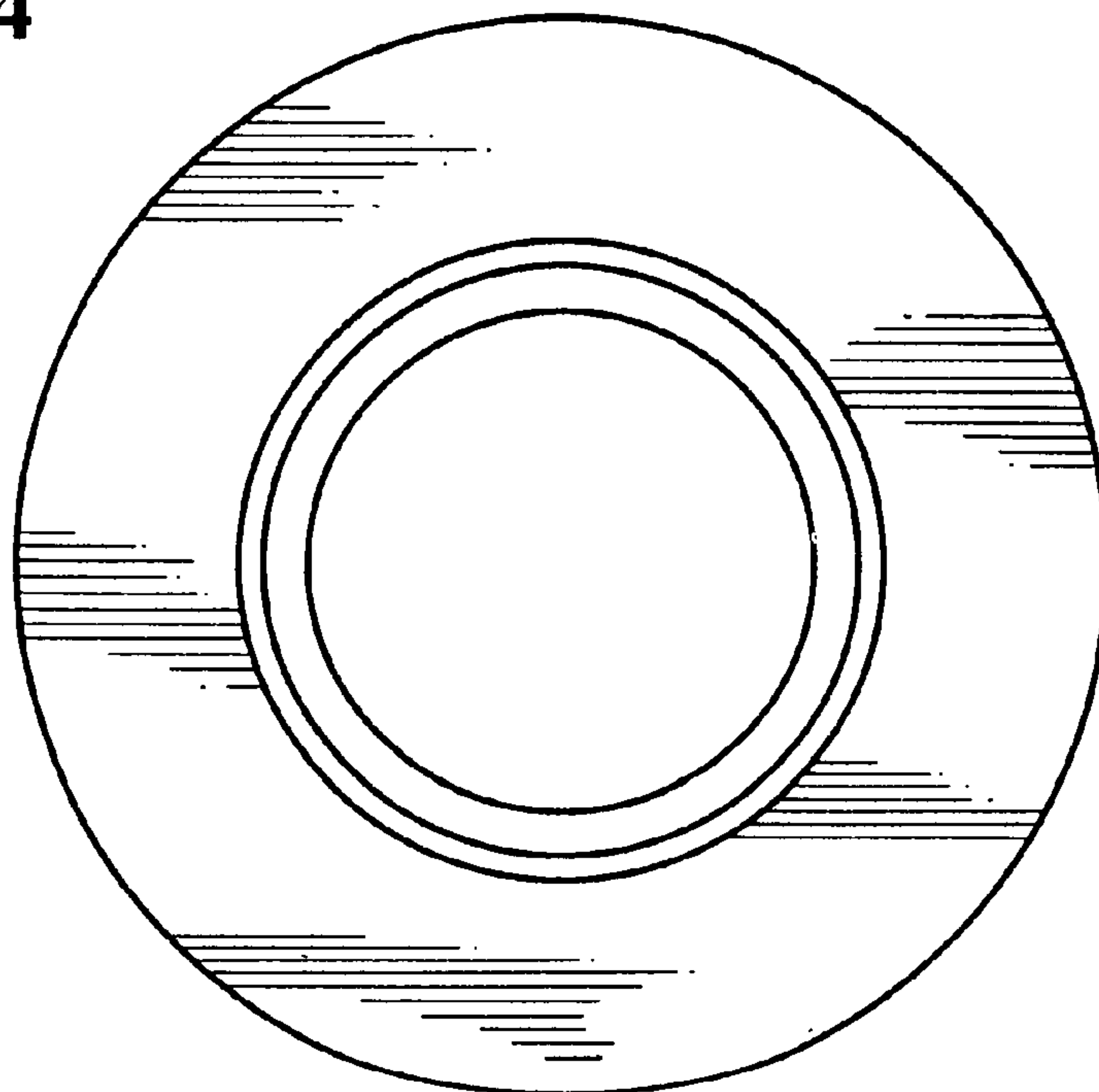


Fig. 5

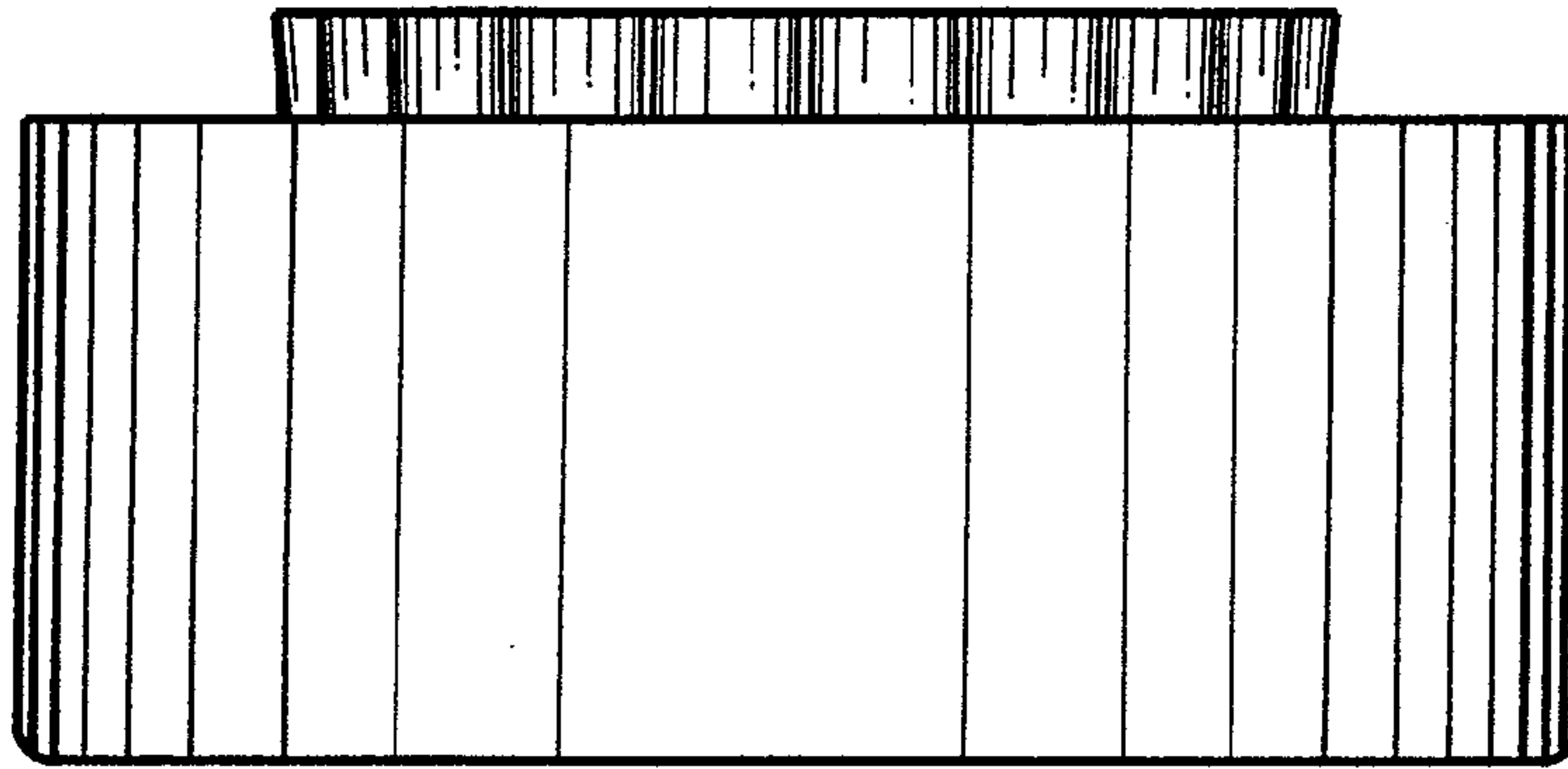


Fig. 6

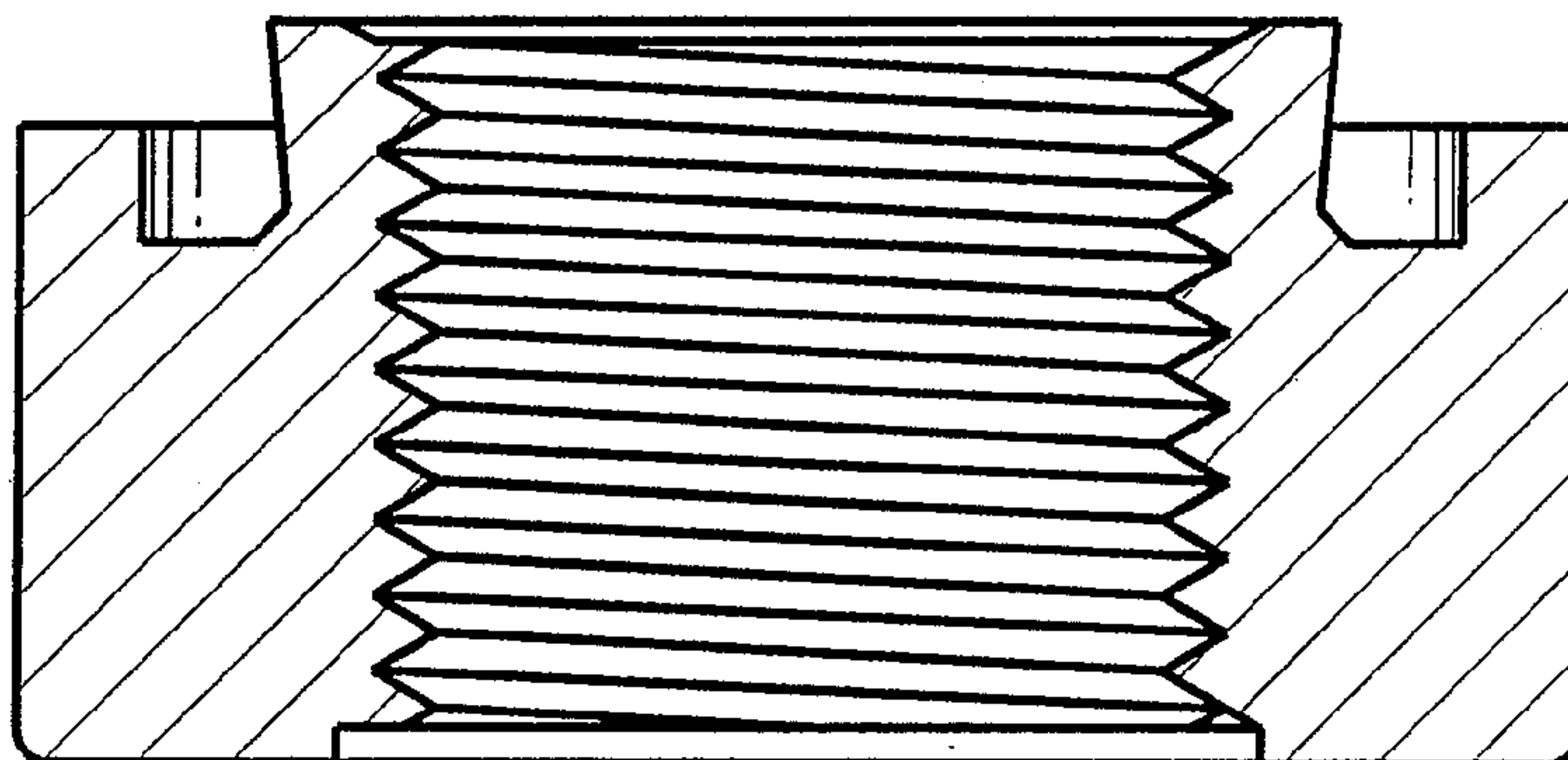


Fig. 7

