

US00D557131S

(12) **United States Design Patent**
Liu

(10) **Patent No.:** **US D557,131 S**

(45) **Date of Patent:** **** Dec. 11, 2007**

(54) **SCREW**

D469,007 S * 1/2003 Chen et al. D8/387
D531,491 S * 11/2006 Liu D8/387

(75) Inventor: **Yin-Feng Liu**, Taipei (TW)

* cited by examiner

(73) Assignee: **A-Stainless International Co., Ltd.**,
Taipei (TW)

Primary Examiner—Holly H. Baynham

Assistant Examiner—Sheryl Friedman

(74) *Attorney, Agent, or Firm*—Troxell Law Office, PLLC

(**) Term: **14 Years**

(21) Appl. No.: **29/261,546**

(57) **CLAIM**

(22) Filed: **Jun. 16, 2006**

The ornamental design for a screw, as shown and described.

(51) **LOC (8) Cl.** **08-08**

(52) **U.S. Cl.** **D8/387**

(58) **Field of Classification Search** D8/387;
411/402, 403, 378, 393

See application file for complete search history.

DESCRIPTION

FIG. 1 is a perspective view of a screw showing my new design;

FIG. 2 is a front elevation view thereof;

FIG. 3 is a rear elevation view thereof;

FIG. 4 is a left side elevation view thereof;

FIG. 5 is a right side elevation view thereof;

FIG. 6 is a top plan view thereof; and,

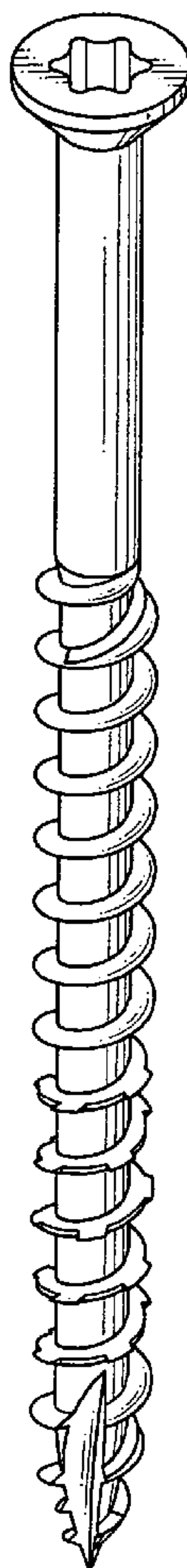
FIG. 7 is a bottom plain view thereof.

(56) **References Cited**

U.S. PATENT DOCUMENTS

2,377,397 A * 6/1945 Booth 411/403
4,900,208 A * 2/1990 Kaiser et al. 411/387.1
5,540,531 A * 7/1996 Choiniere 411/387.1
6,074,149 A * 6/2000 Habermehl et al. 411/442

1 Claim, 3 Drawing Sheets



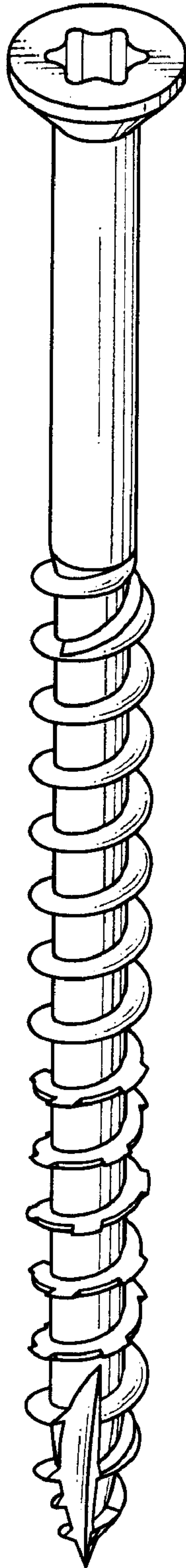


FIG. 1

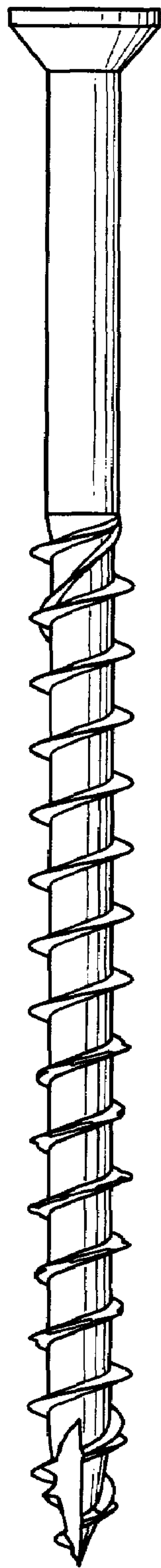


FIG. 2

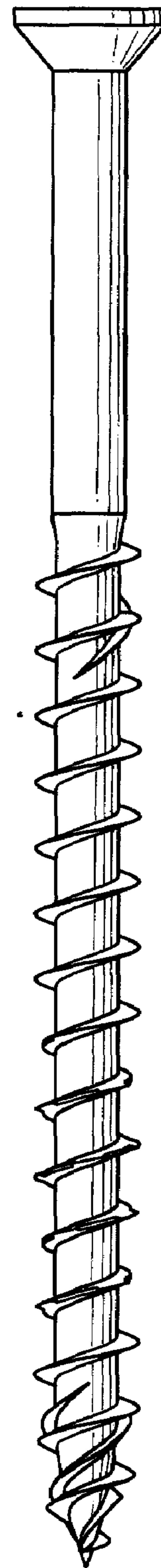


FIG. 3

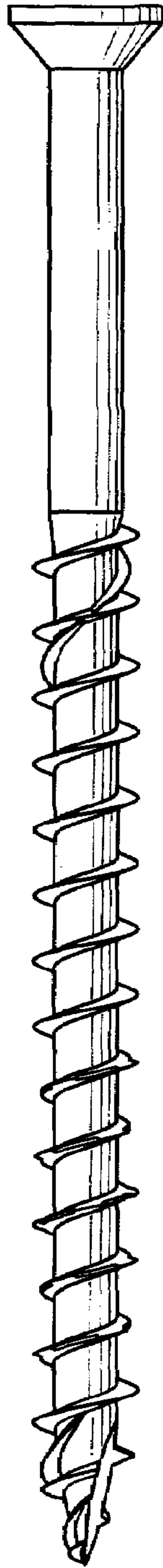


FIG. 4

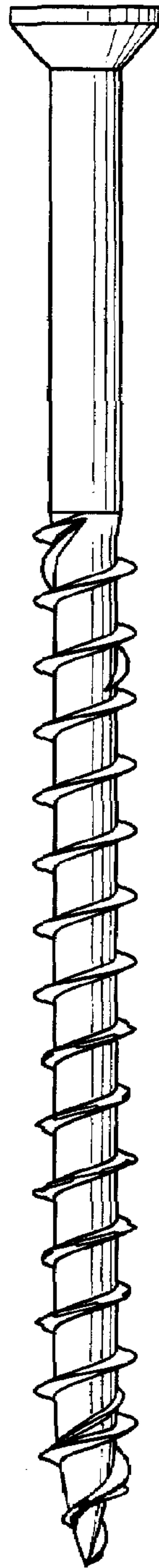


FIG. 5

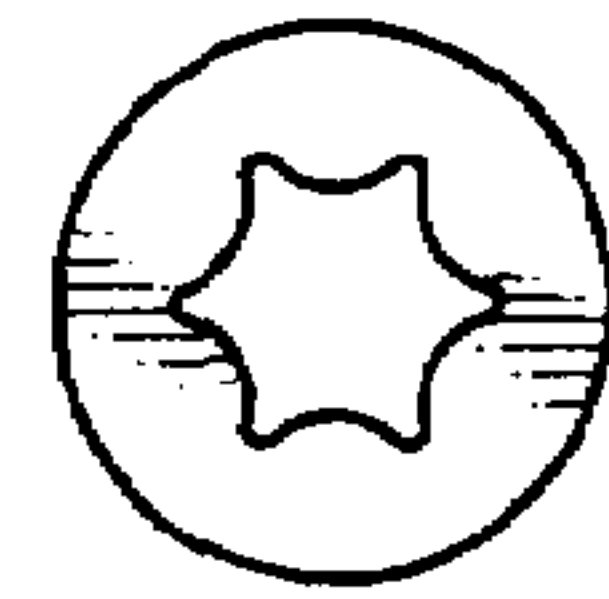


FIG. 6

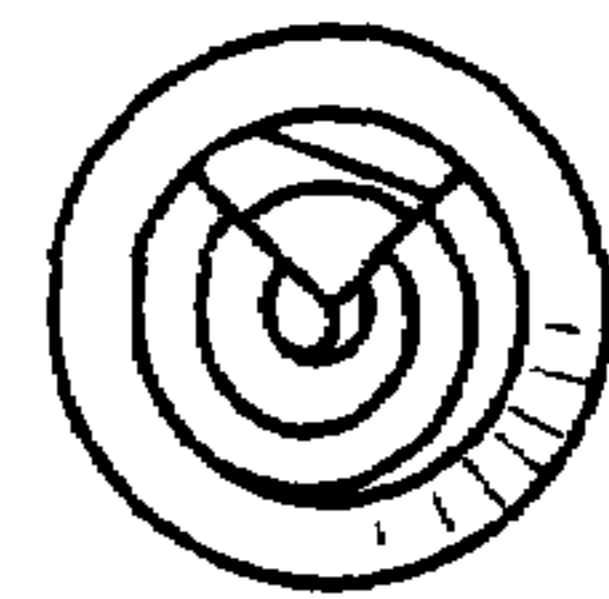


FIG. 7