



US00D557129S

(12) **United States Design Patent**
Jones et al.

(10) **Patent No.:** **US D557,129 S**

(45) **Date of Patent:** **** Dec. 11, 2007**

(54) **COMPONENT OF A BALUSTER POST**

D495,434 S * 8/2004 Cooper D25/133
D540,158 S * 4/2007 Smith D8/396

(75) Inventors: **Anthony Trevor Jones**, Shropshire
(GB); **Paul Hughes**, Powys (GB)

FOREIGN PATENT DOCUMENTS

(73) Assignee: **Richard Burbidge Limited** (GB)

DE	36 34 636 A1	5/1987
DE	40 27 932 A1	10/1990
DE	198 18 357 A1	10/1999
EP	1 335 081 A2	8/2003
FR	2 738 862 A1	3/1997
GB	2 299 370 A	10/1996
GB	2 302 383 A	1/1997

(**) Term: **14 Years**

(21) Appl. No.: **29/245,713**

* cited by examiner

(22) Filed: **Dec. 28, 2005**

(30) **Foreign Application Priority Data**

Primary Examiner—Holly H. Baynham
Assistant Examiner—Sheryl Friedman
(74) *Attorney, Agent, or Firm*—Caesar, Rivise, Bernstein,
Cohen & Pokotilow, Ltd.

Jun. 29, 2005 (EM) 000364120

(51) **LOC (8) Cl.** **08-08**

(52) **U.S. Cl.** **D8/382**

(58) **Field of Classification Search** D8/382;
D23/263, 266; D21/503; 256/65.01; 52/119;
29/890.148; D25/68; 285/125.1

See application file for complete search history.

(57) **CLAIM**

The ornamental design for a component of a baluster post,
as shown and described.

(56) **References Cited**

DESCRIPTION

U.S. PATENT DOCUMENTS

3,694,798 A *	9/1972	Julian	439/762
4,150,907 A	4/1979	Thurnauer		
4,546,949 A	10/1985	Millett et al.		
4,767,232 A	8/1988	Francis		
D298,802 S *	12/1988	Tekirian	D8/396
D319,966 S *	9/1991	Ellison	D8/382
D322,025 S *	12/1991	Funston	D8/382
5,452,880 A	9/1995	Bailey		
6,308,937 B1	10/2001	Pettit		

FIG. 1 is a perspective view from above of a component of
a baluster post showing our new design;

FIG. 2 is a first side elevational view thereof;

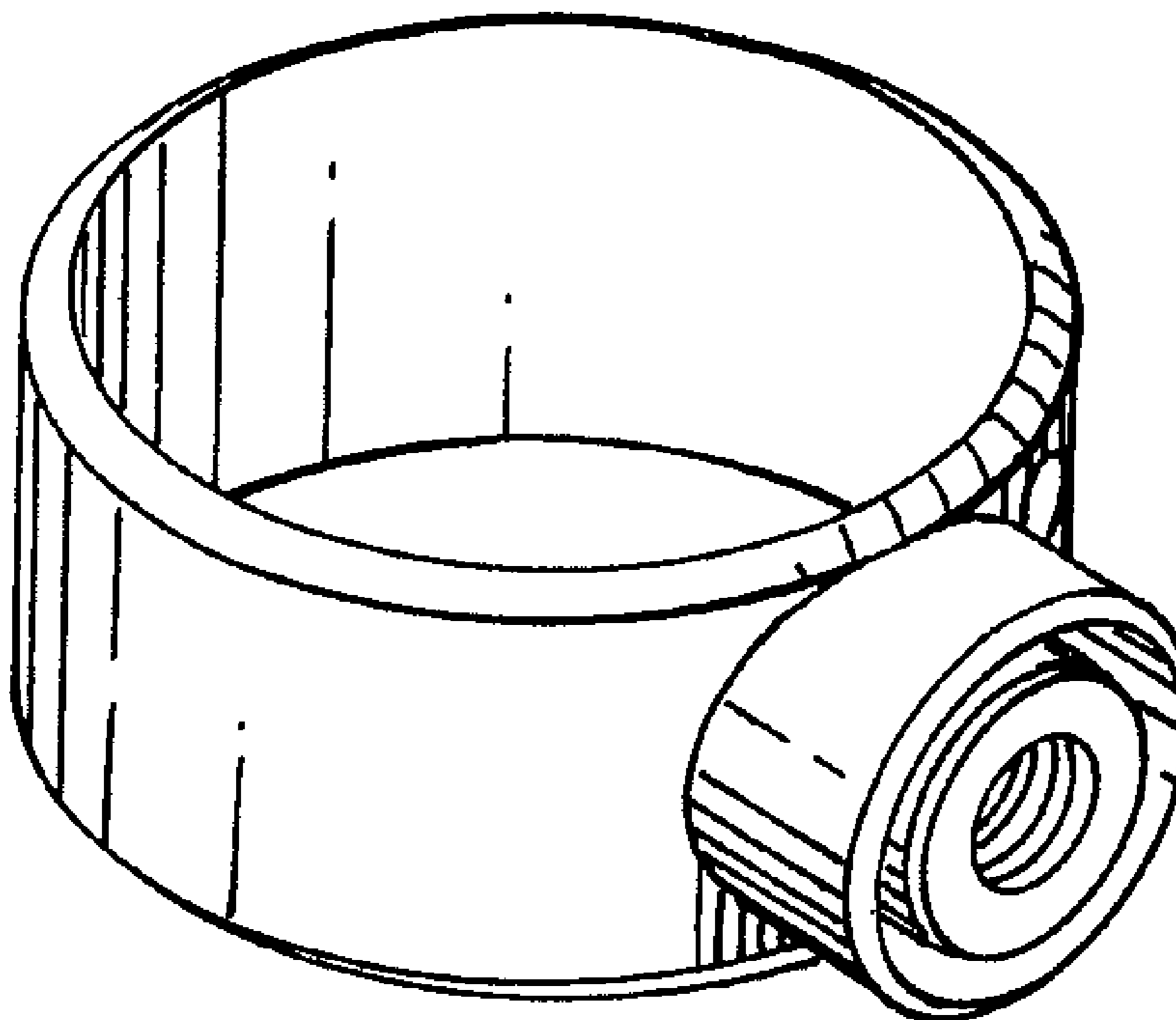
FIG. 3 is a first end elevational view thereof;

FIG. 4 is a second end elevational view thereof;

FIG. 5 is a second side elevational view thereof; and,

FIG. 6 is a top plan view thereof.

1 Claim, 2 Drawing Sheets



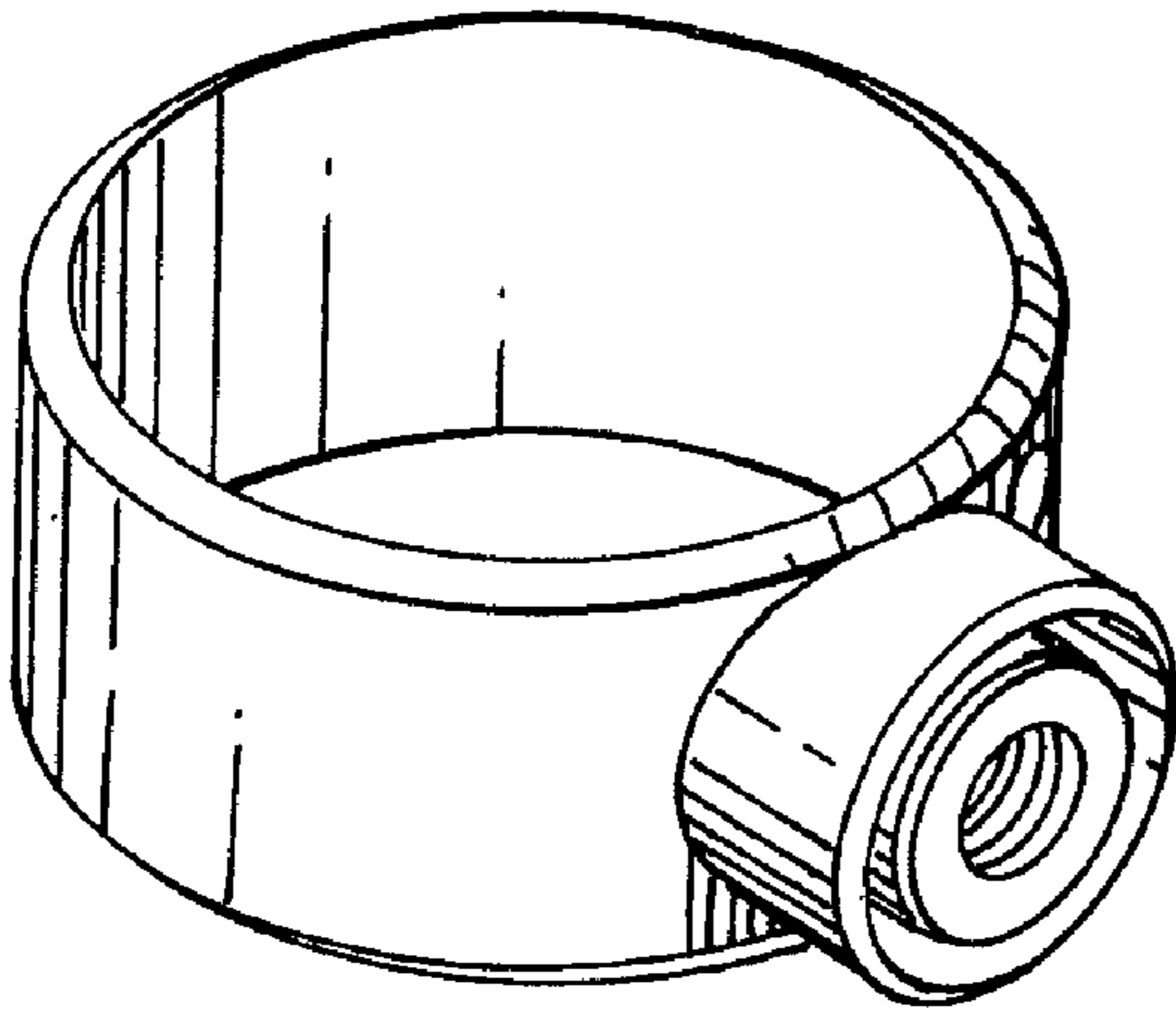


FIG. 1

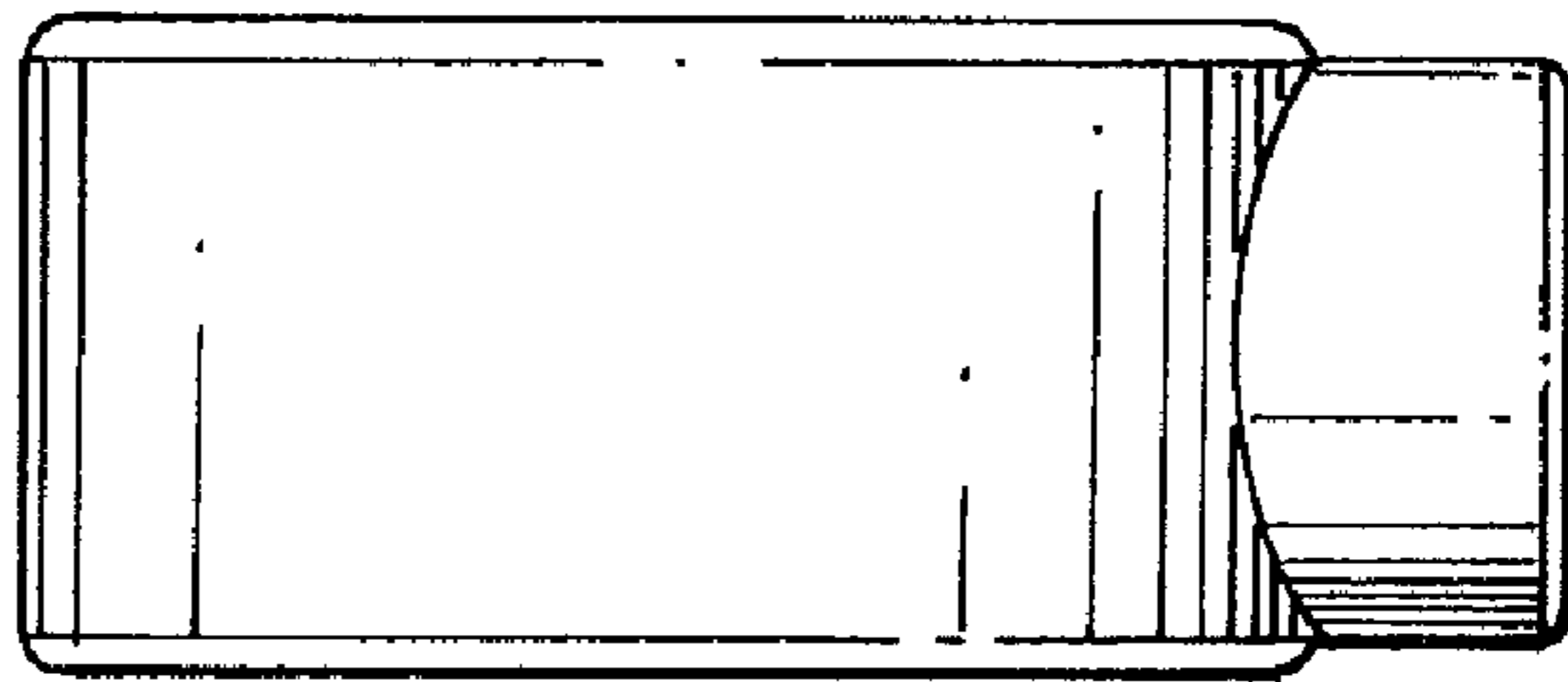


FIG. 2

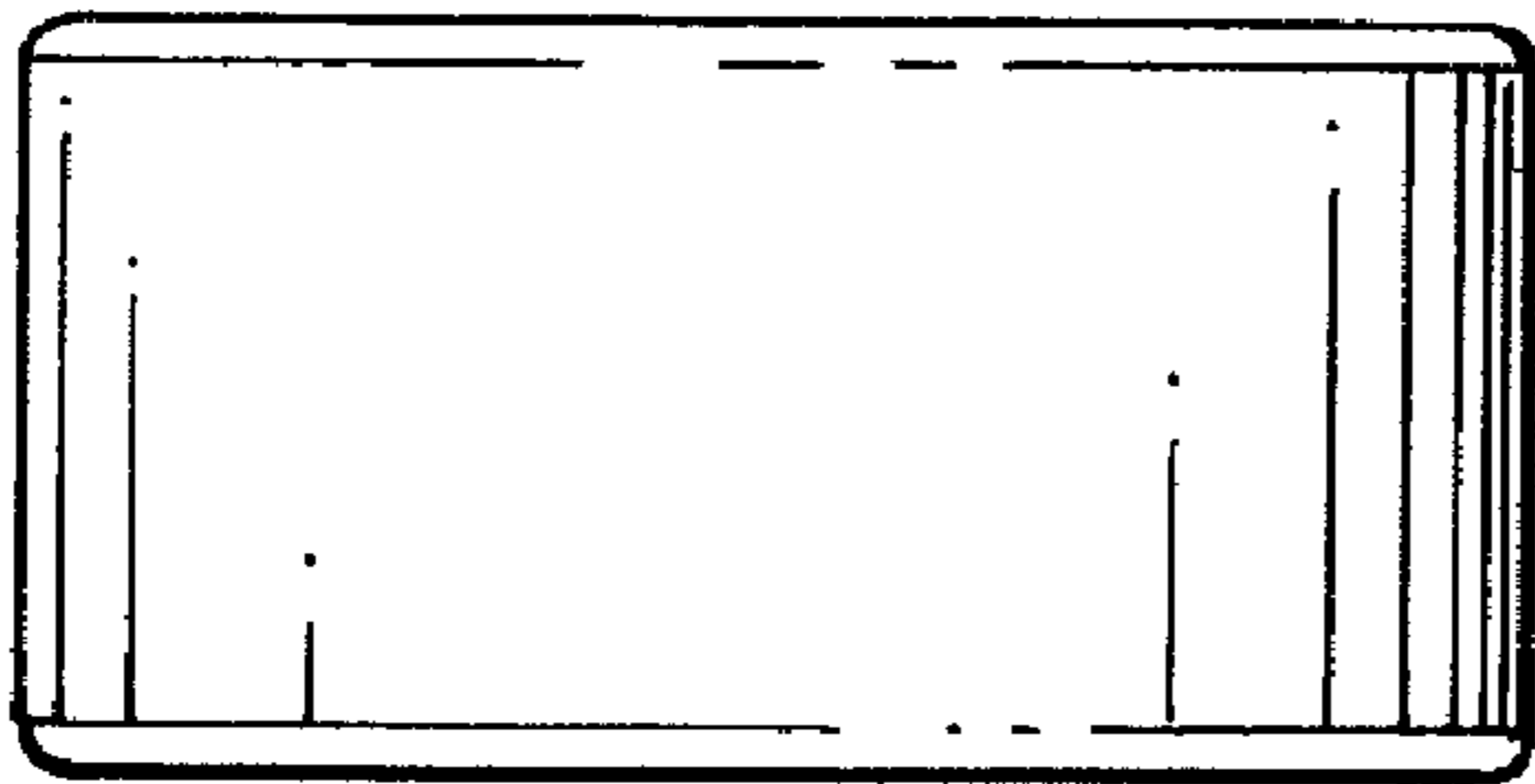


FIG. 3

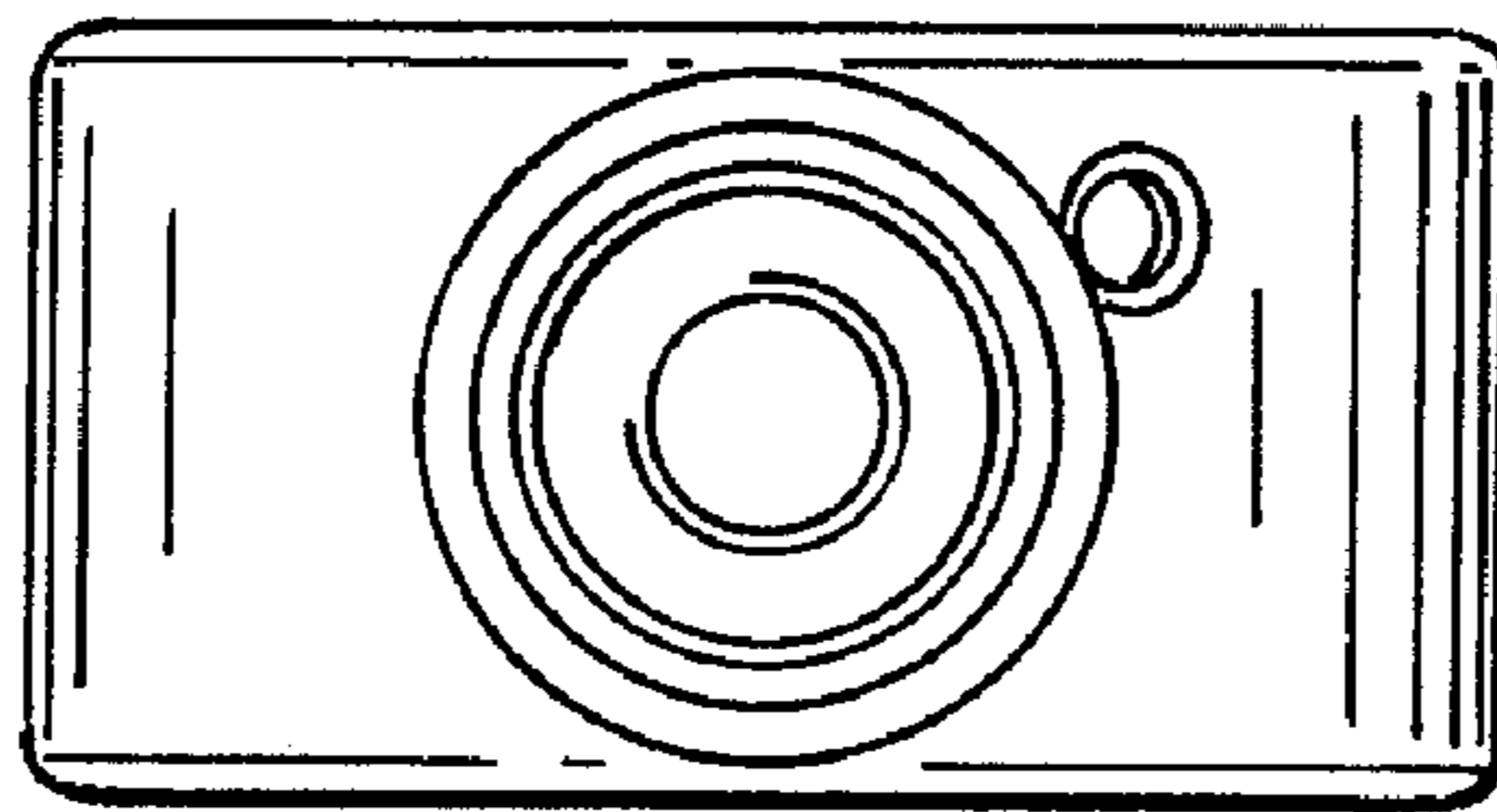


FIG. 4

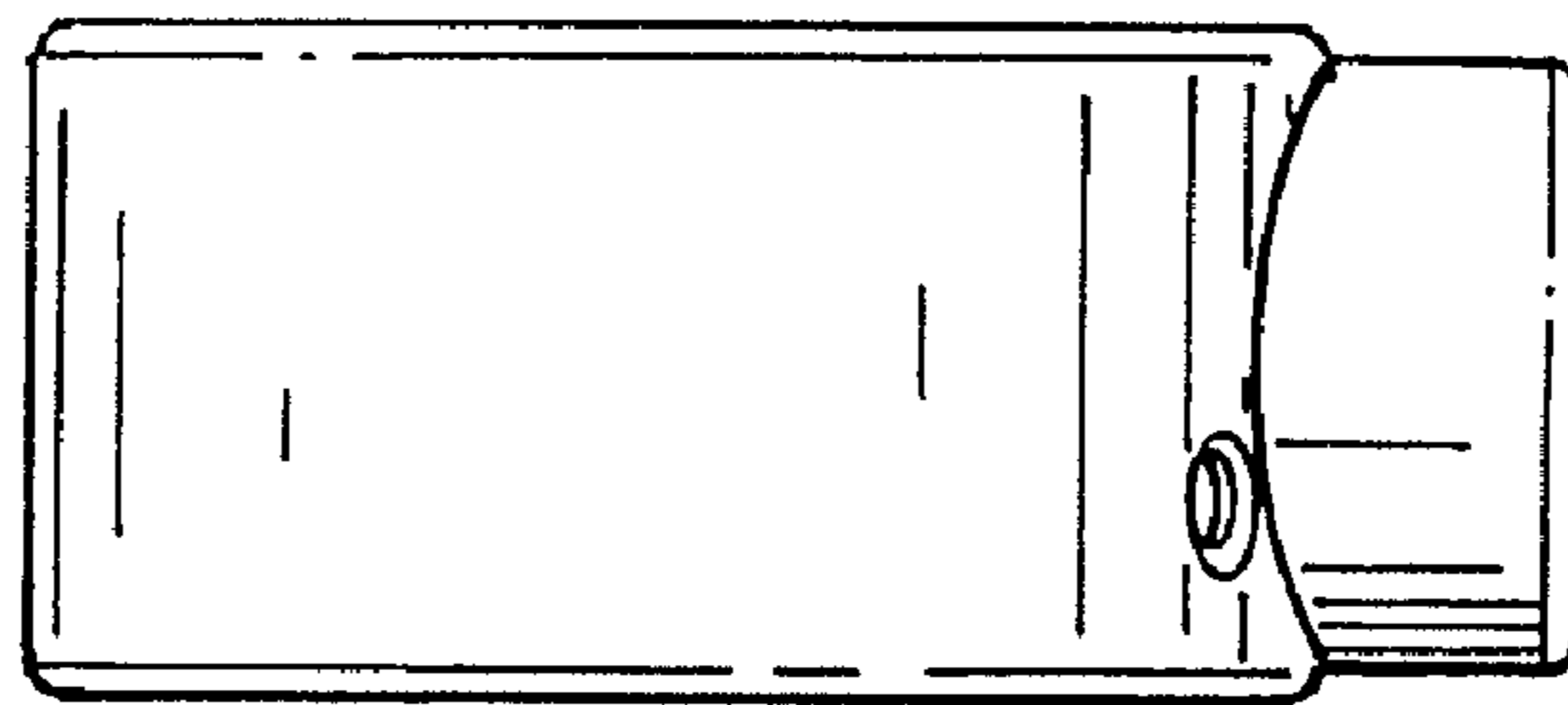


FIG. 5

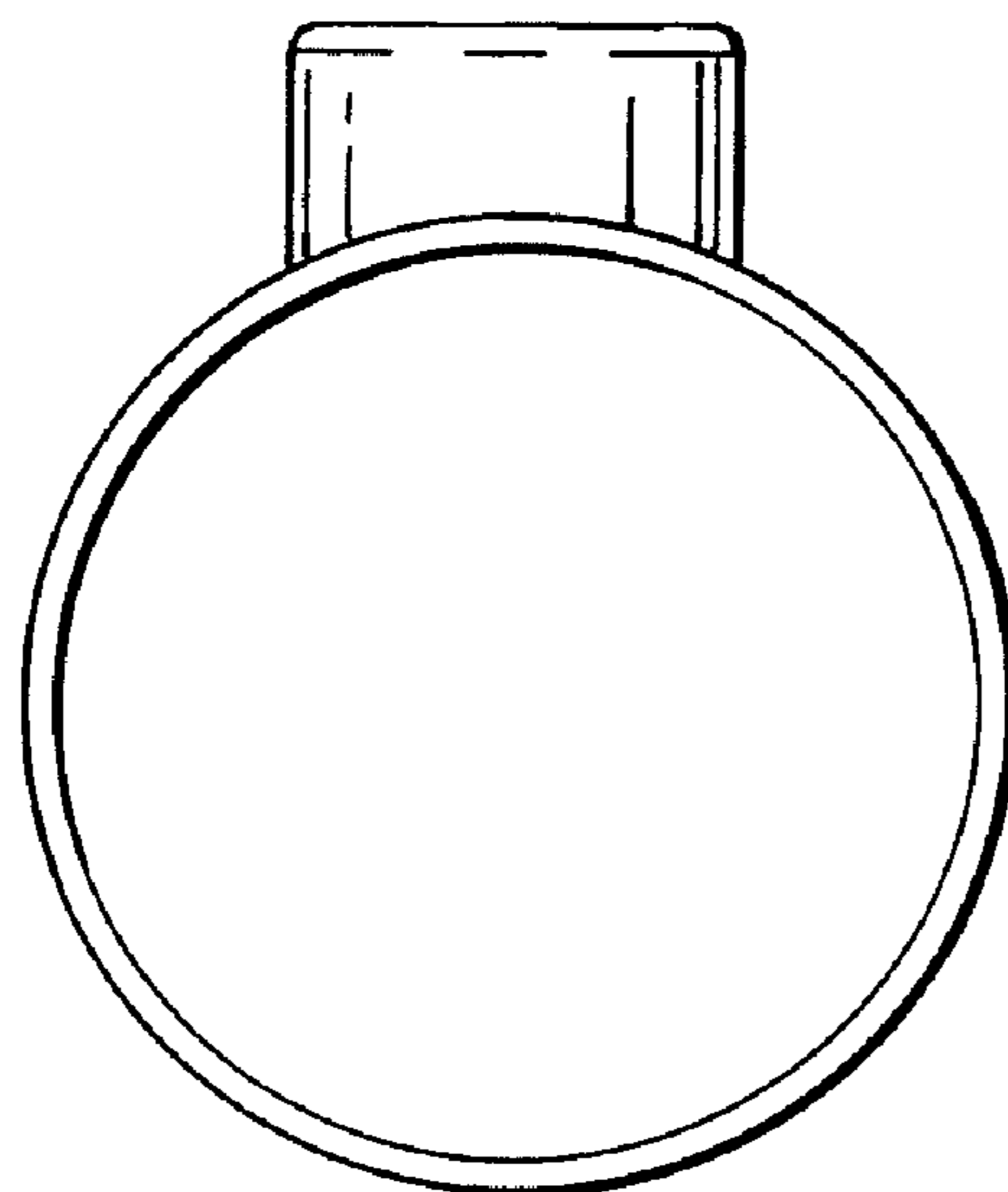


FIG. 6