



US00D557126S

(12) **United States Design Patent**
Worrall et al.

(10) **Patent No.:** **US D557,126 S**

(45) **Date of Patent:** **** Dec. 11, 2007**

(54) **MOUNTING BRACKET, PARTICULARLY SUITABLE FOR AN ELECTRONIC DISPLAY OR A SPEAKER**

(75) Inventors: **Raymond Worrall**, West Midlands (GB); **Mark Short**, West Midlands (GB); **Kenneth Gary Nicholls**, West Midlands (GB)

(73) Assignee: **AVF Group Limited**, Telford, Shropshire (GB)

(**) Term: **14 Years**

(21) Appl. No.: **29/244,311**

(22) Filed: **Dec. 7, 2005**

(30) **Foreign Application Priority Data**

Aug. 17, 2005 (EM) 000388244

(51) **LOC (8) Cl.** **08-05**

(52) **U.S. Cl.** **D8/380; D8/363; D14/452**

(58) **Field of Classification Search** D8/381, D8/380, 373, 363, 354, 349; D23/304; D14/452, D14/451, 447, 251, 238, 229, 224, 209; D12/415; 4/574.1, 571.1; 248/309.1, 291.1, 284.1, 248/240, 124.1, 919-920

See application file for complete search history.

(56) **References Cited**

U.S. PATENT DOCUMENTS

D218,016 S 7/1970 Hobrebe D8/363

D281,317 S *	11/1985	Whitaker	D8/373
D349,640 S	8/1994	Whitaker	D8/363
D352,652 S	11/1994	Vogels	D8/363
D362,253 S *	9/1995	Vogels	D8/354
D406,228 S	3/1999	Vogels	D8/363
D411,098 S	6/1999	Vogels	D8/363
D488,708 S	4/2004	Lam et al.	D8/363
D538,633 S *	3/2007	Ly Hau et al.	D8/363
D539,123 S *	3/2007	Ly Hau et al.	D8/363

* cited by examiner

Primary Examiner—Gary D. Watson

Assistant Examiner—Susan Bennett Hattan

(74) *Attorney, Agent, or Firm*—Wells St. John, P.S.

(57) **CLAIM**

The ornamental design for a ‘mounting bracket, particularly suitable for an electronic display or a speaker,’ as shown and described.

DESCRIPTION

FIG. 1 is a front perspective view of a mounting bracket, particularly suitable for an electronic display or a speaker, showing our new design in one possible position of adjustment;

FIG. 2 is a top plan view of the mounting bracket;

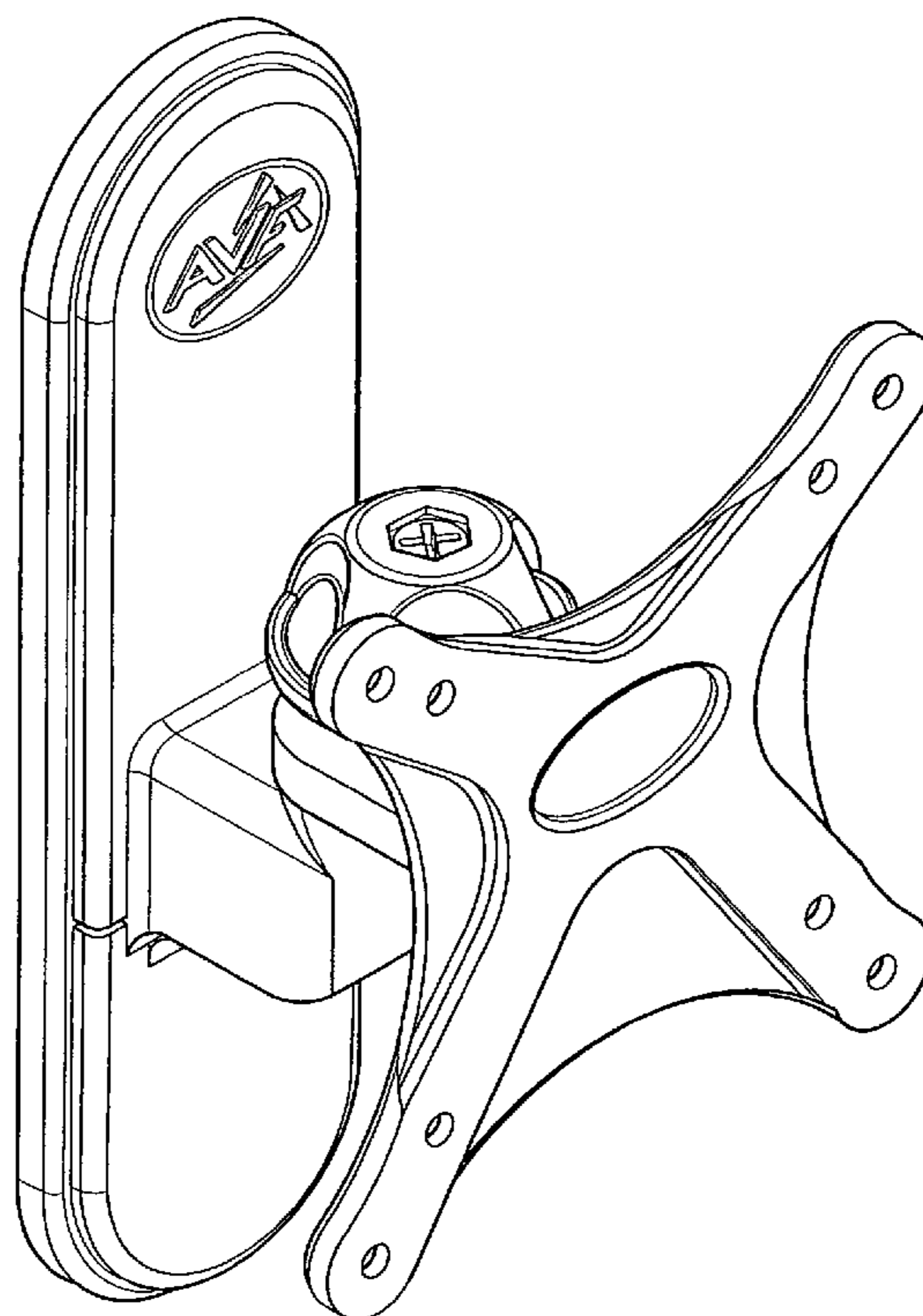
FIG. 3 is an underneath plan view of the mounting bracket;

FIG. 4 is a side view of the mounting bracket;

FIG. 5 is a rear view of the mounting bracket; and,

FIG. 6 is a front view of the mounting bracket.

1 Claim, 3 Drawing Sheets



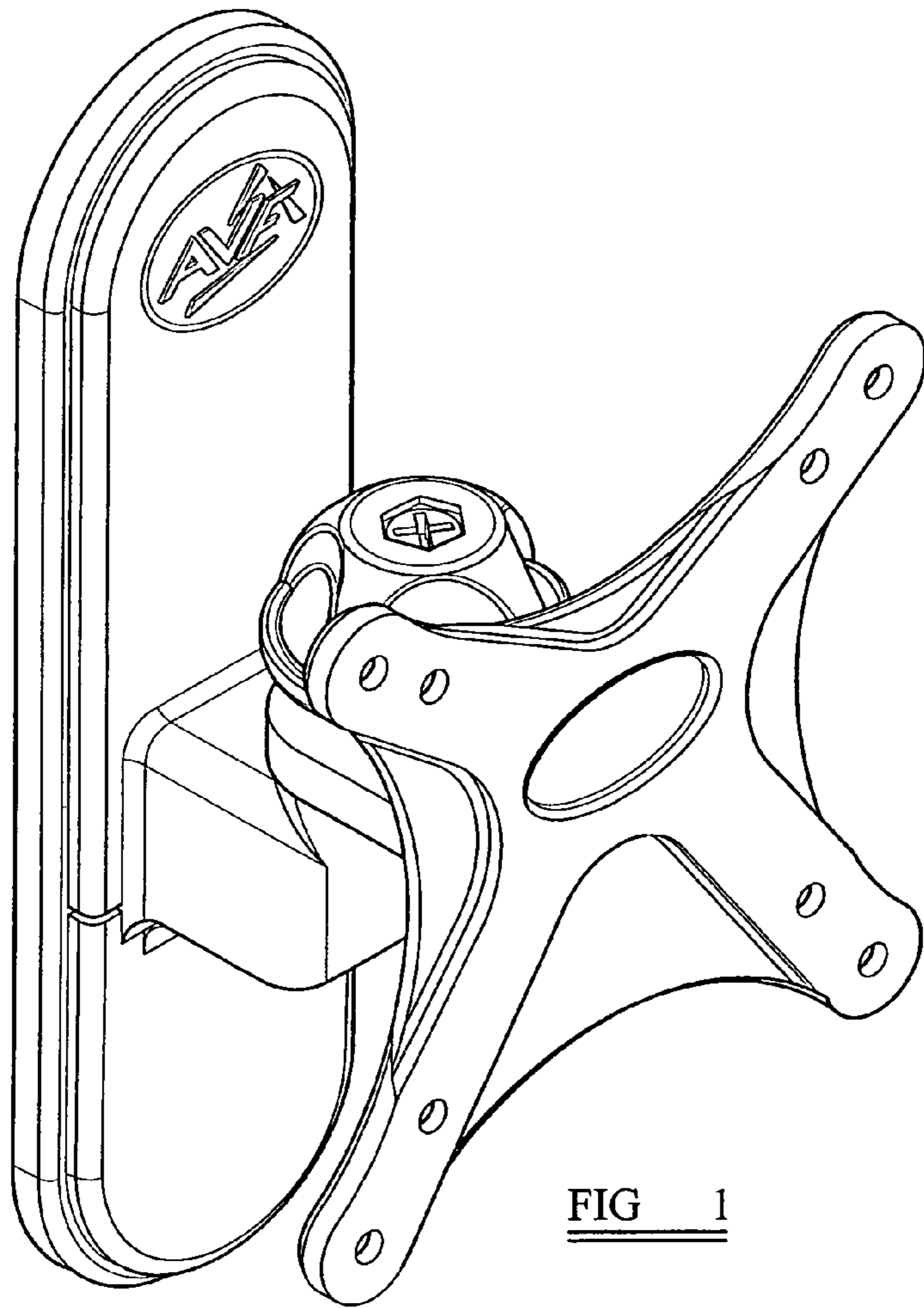


FIG 1

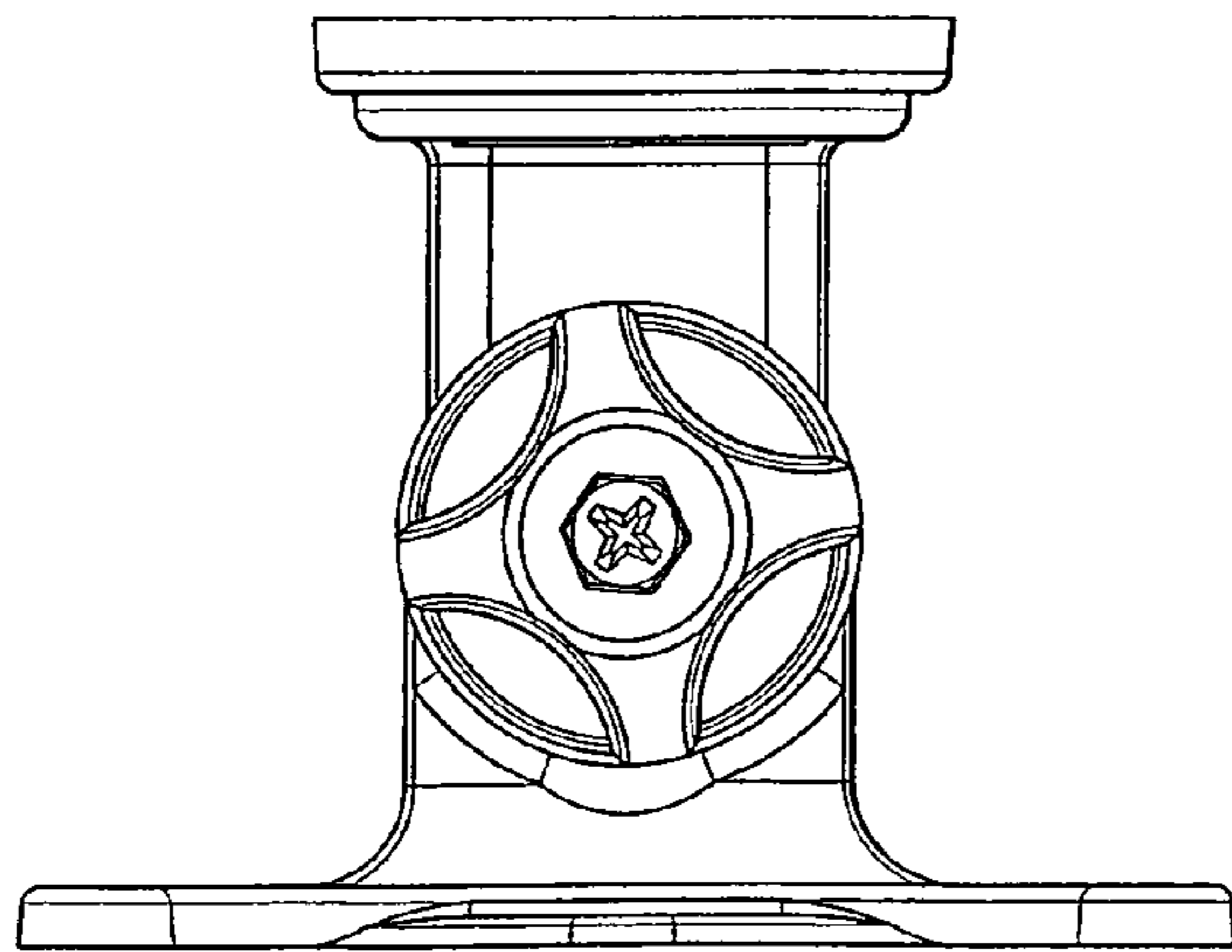


FIG 2

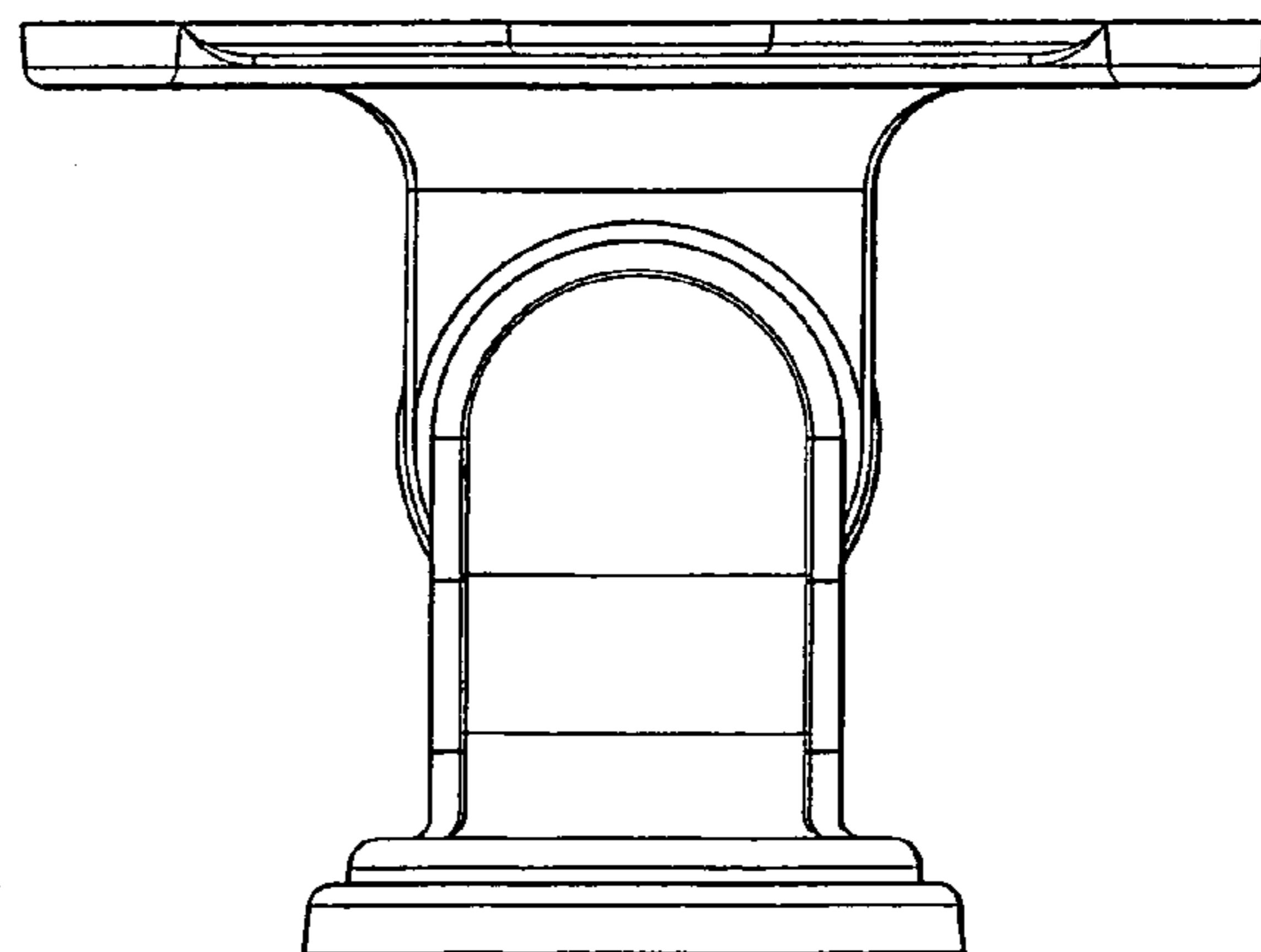


FIG 3

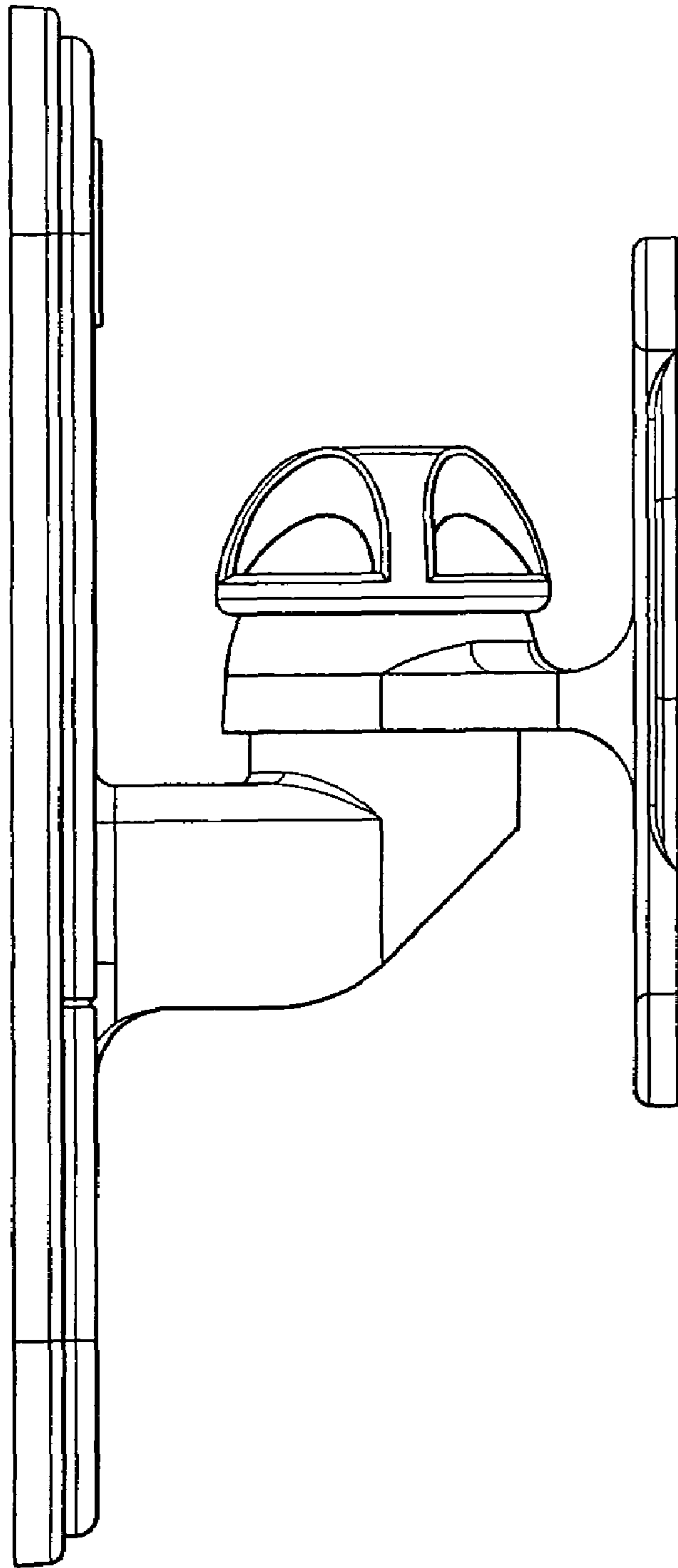


FIG 4

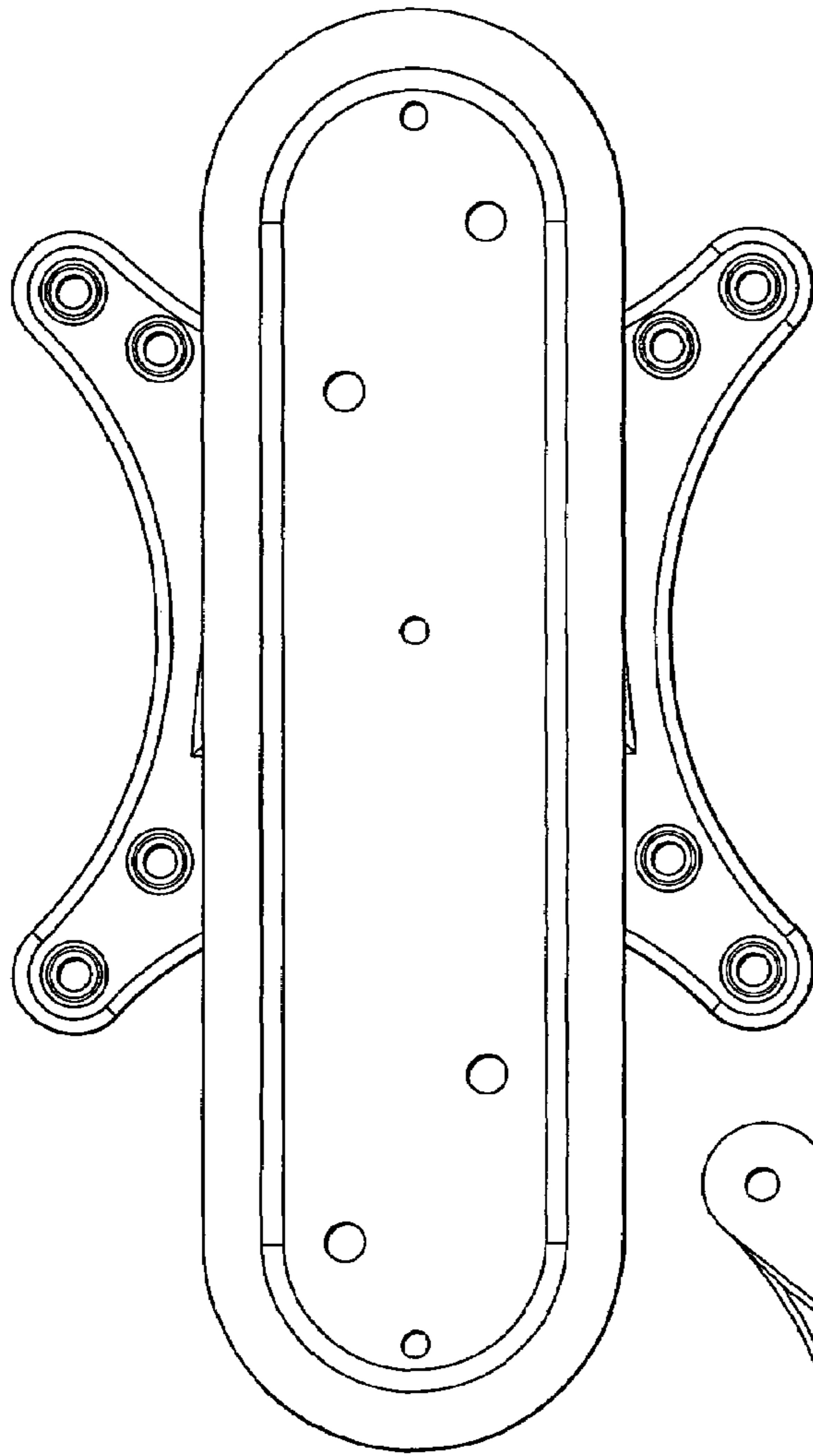


FIG 5

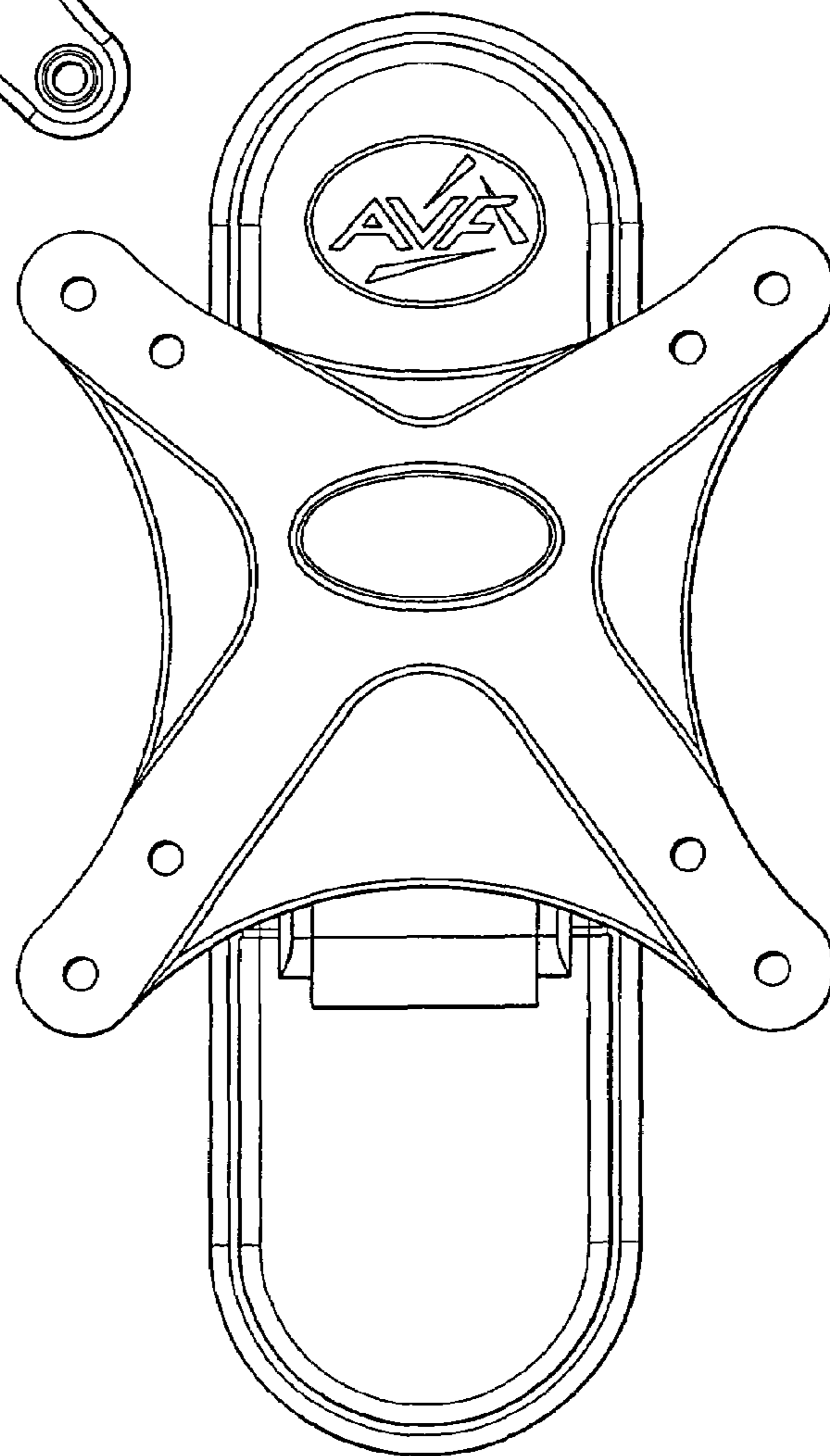


FIG 6