



US00D557124S

(12) **United States Design Patent** (10) **Patent No.:** **US D557,124 S**  
**Martinez et al.** (45) **Date of Patent:** **\*\* Dec. 11, 2007**

(54) **CAMERA SUPPORT BRACKET**

6,845,954 B1 \* 1/2005 Moayer et al. .... 348/373  
 D502,170 S \* 2/2005 Lum ..... D14/217  
 D529,792 S \* 10/2006 Klein et al. .... D8/373

(75) Inventors: **Mark Martinez**, San Francisco, CA  
 (US); **Martin Wang**, Hsinchu (TW);  
**Ivan Liu**, Miaoli County (TW); **Glen  
 Kuo**, Los Altos, CA (US); **Brian  
 Stephens**, County Dublin (IR)

\* cited by examiner

*Primary Examiner*—Gary D. Watson  
*Assistant Examiner*—Susan Bennett Hattan

(73) Assignee: **Logitech Europe S.A.** (CH)

(74) *Attorney, Agent, or Firm*—Townsend and Townsend and Crew LLP

(\*\*) Term: **14 Years**

(57) **CLAIM**

(21) Appl. No.: **29/239,667**

The ornamental design for camera support bracket, as shown and described.

(22) Filed: **Sep. 30, 2005**

**DESCRIPTION**

(51) **LOC (8) Cl.** ..... **08-09**

(52) **U.S. Cl.** ..... **D8/380**

(58) **Field of Classification Search** ..... D8/394,  
 D8/380, 373, 372, 349; D16/202; D14/439,  
 D14/433, 388, 317, 239, 229, 224, 217; 348/552,  
 348/373; 248/918, 229.16, 229.12, 229.11,  
 248/227.4, 214, 207, 205.3, 205.1, 200  
 See application file for complete search history.

FIG. 1 is a perspective view of a camera support bracket showing our new design;  
 FIG. 2 is a top plan view thereof;  
 FIG. 3 is a bottom plan view thereof;  
 FIG. 4 is a front elevational view thereof;  
 FIG. 5 is a rear elevational view thereof;  
 FIG. 6 is a right elevational view thereof;  
 FIG. 7 is a left elevational view thereof; and,  
 FIG. 8 is a perspective view thereof in a folded position.

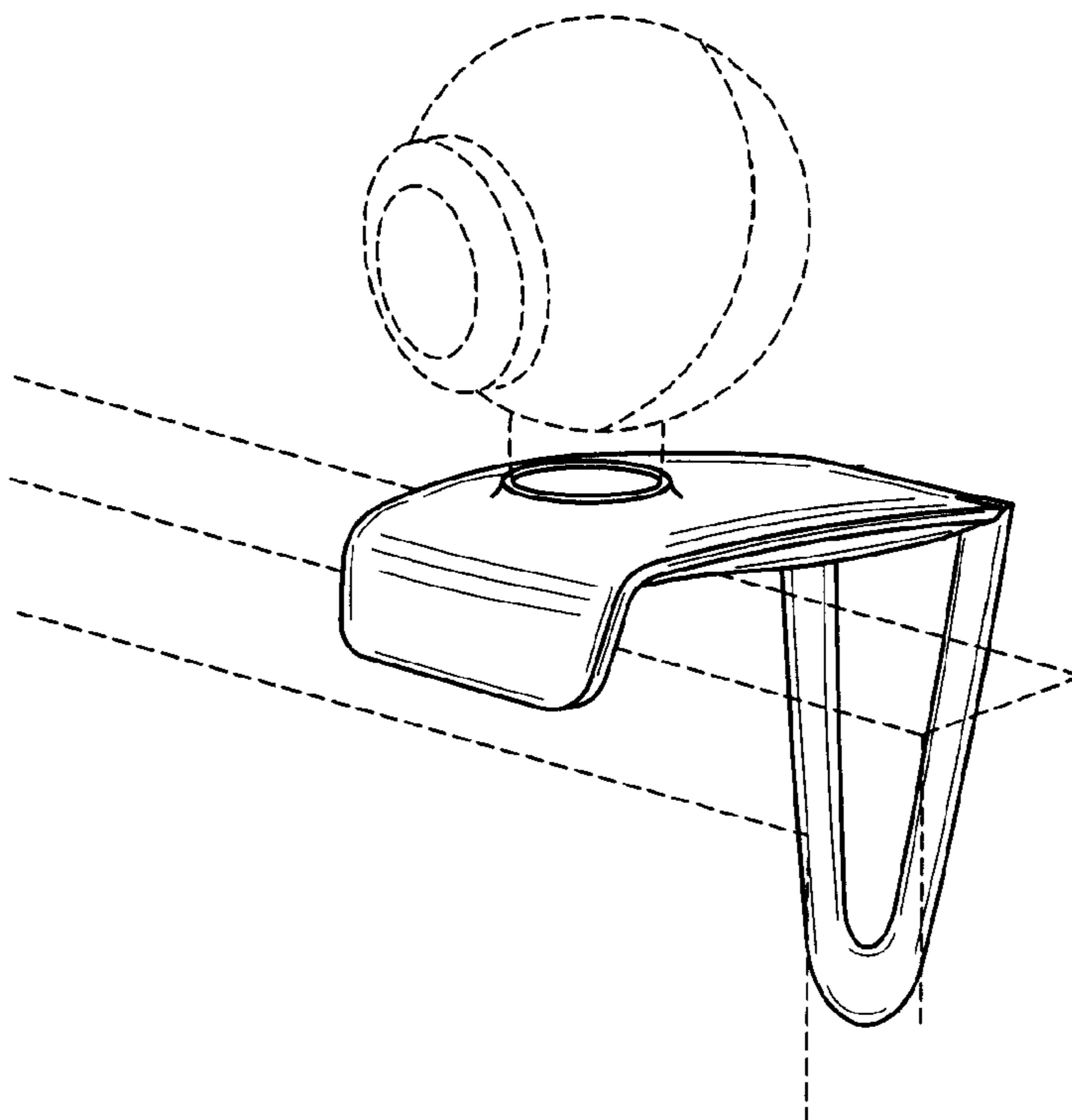
(56) **References Cited**

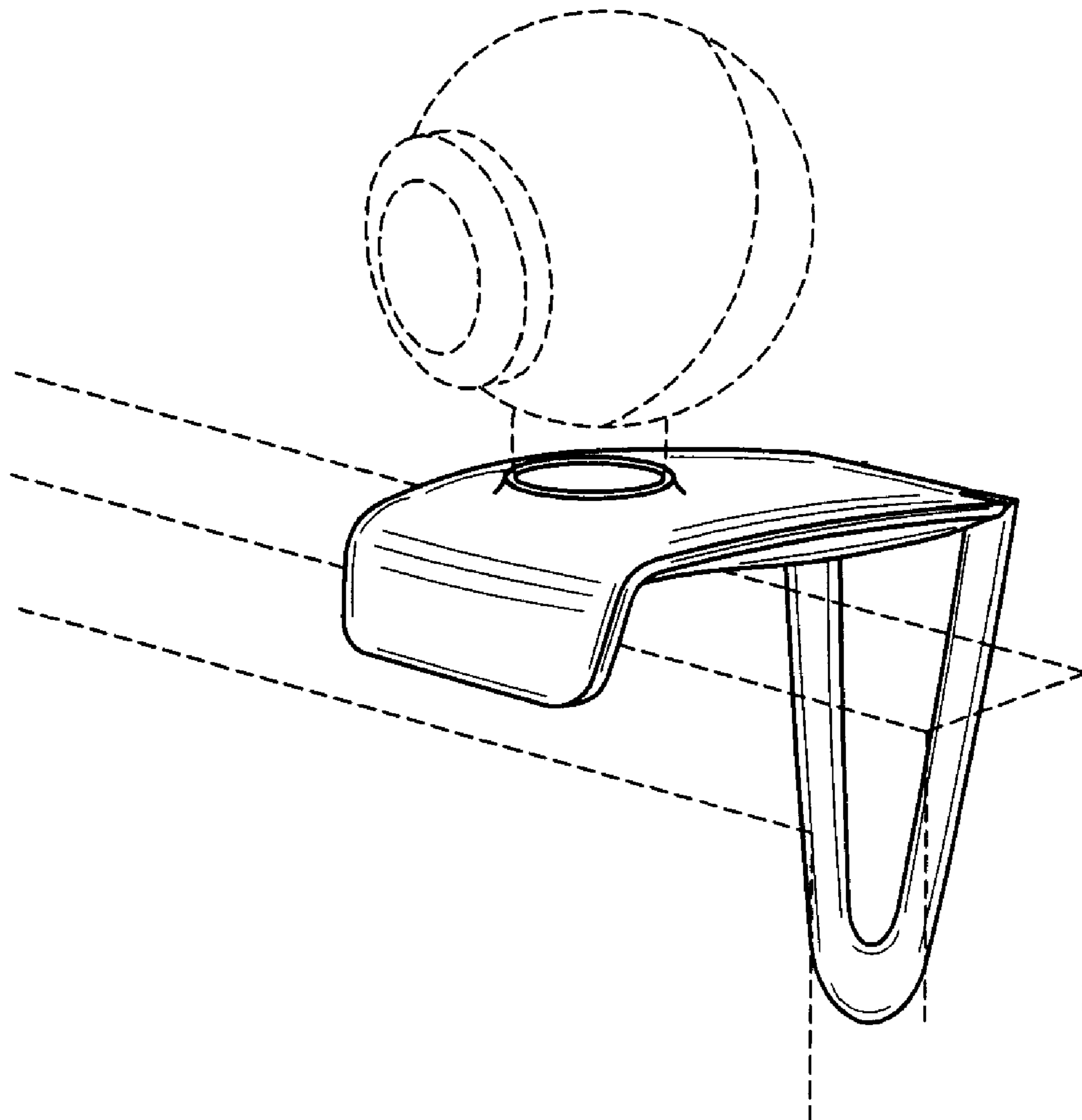
**U.S. PATENT DOCUMENTS**

D250,089 S \* 10/1978 Legerius ..... D8/394  
 D270,133 S \* 8/1983 Craig ..... D8/394  
 D312,961 S \* 12/1990 Evenson ..... D8/373  
 D421,713 S \* 3/2000 Snell ..... D8/372  
 6,239,841 B1 \* 5/2001 Verstockt et al. .... 348/373

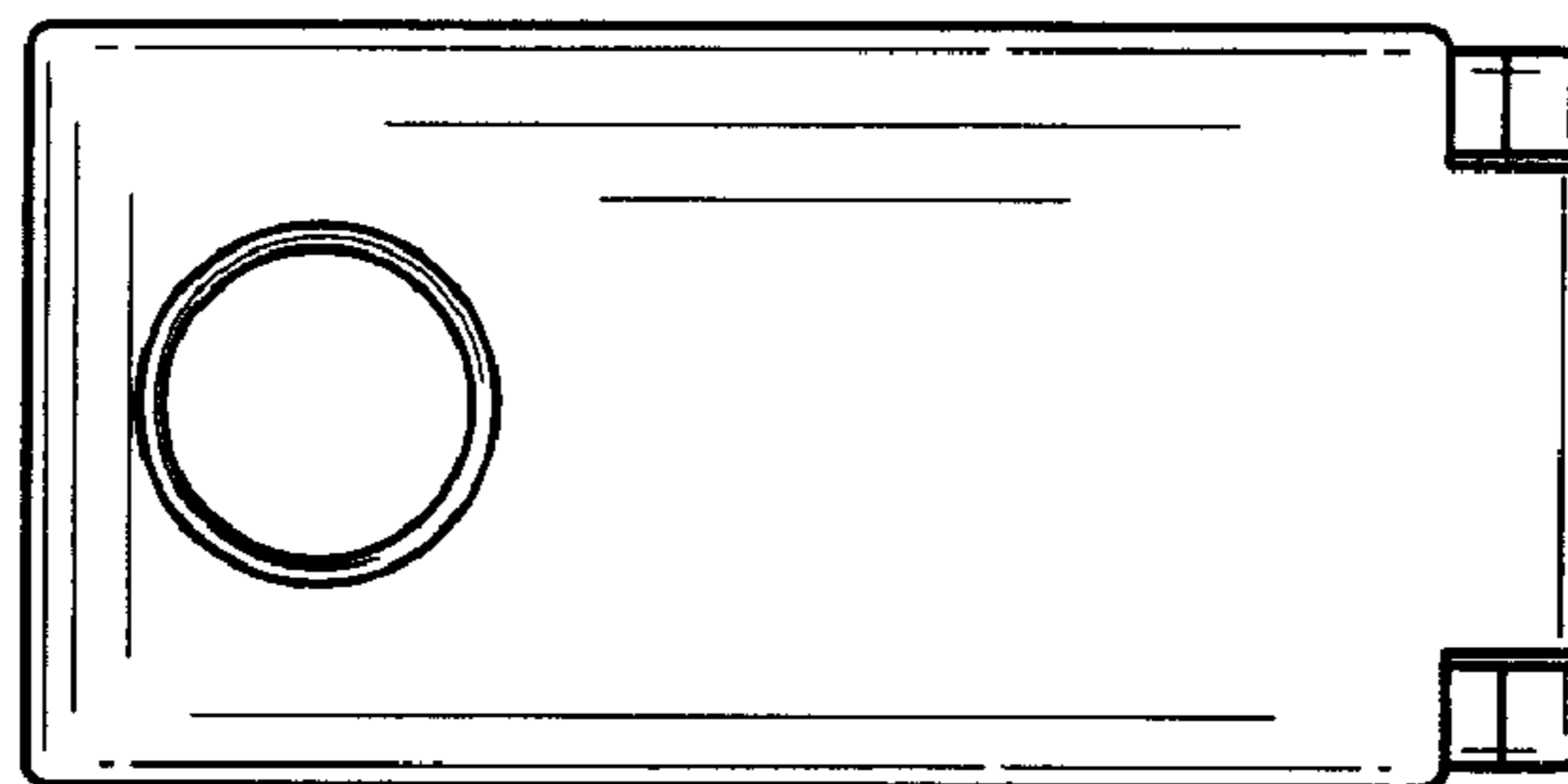
The broken lines in the drawing depict unclaimed environmental subject matter.

**1 Claim, 3 Drawing Sheets**

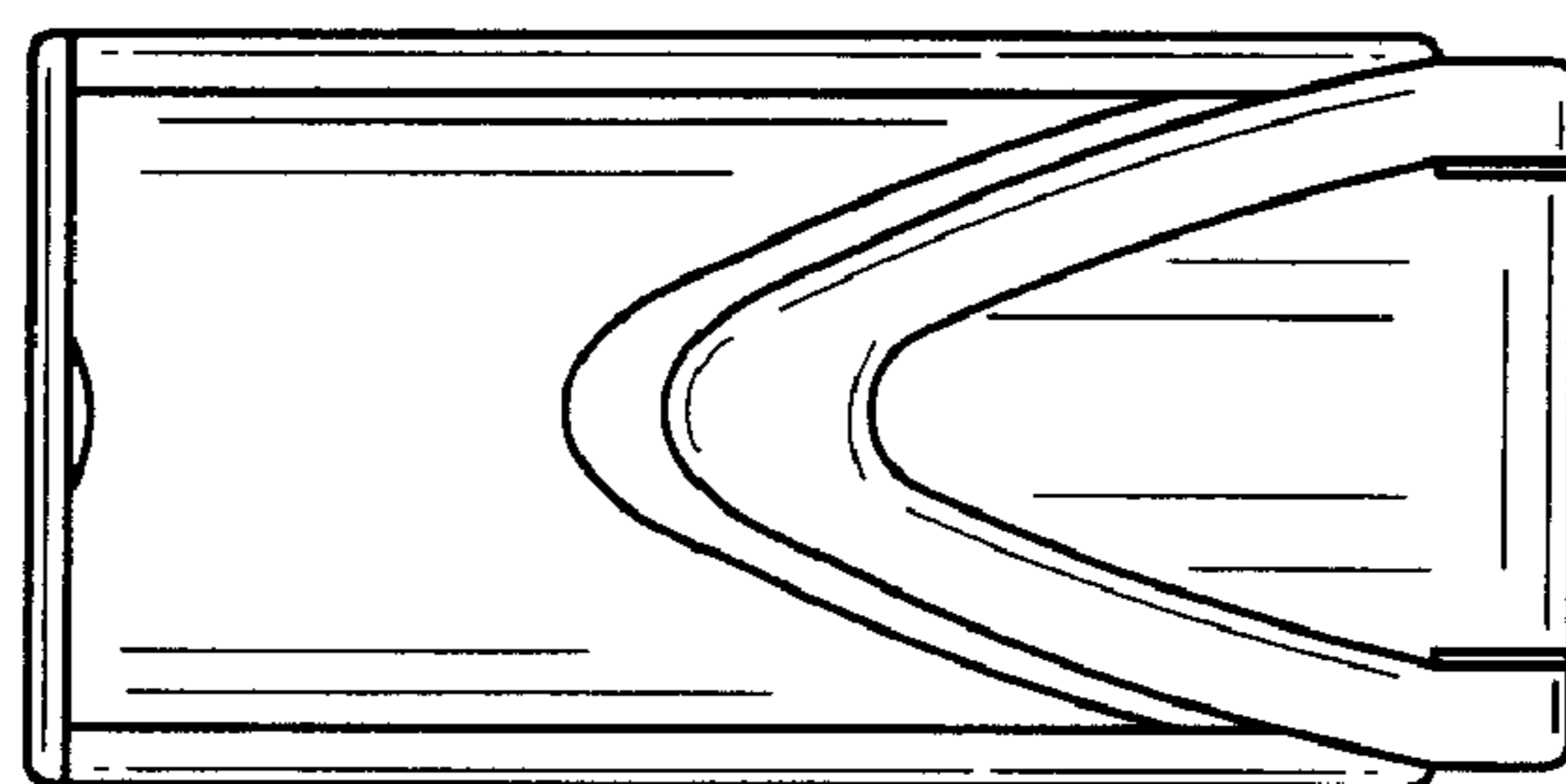




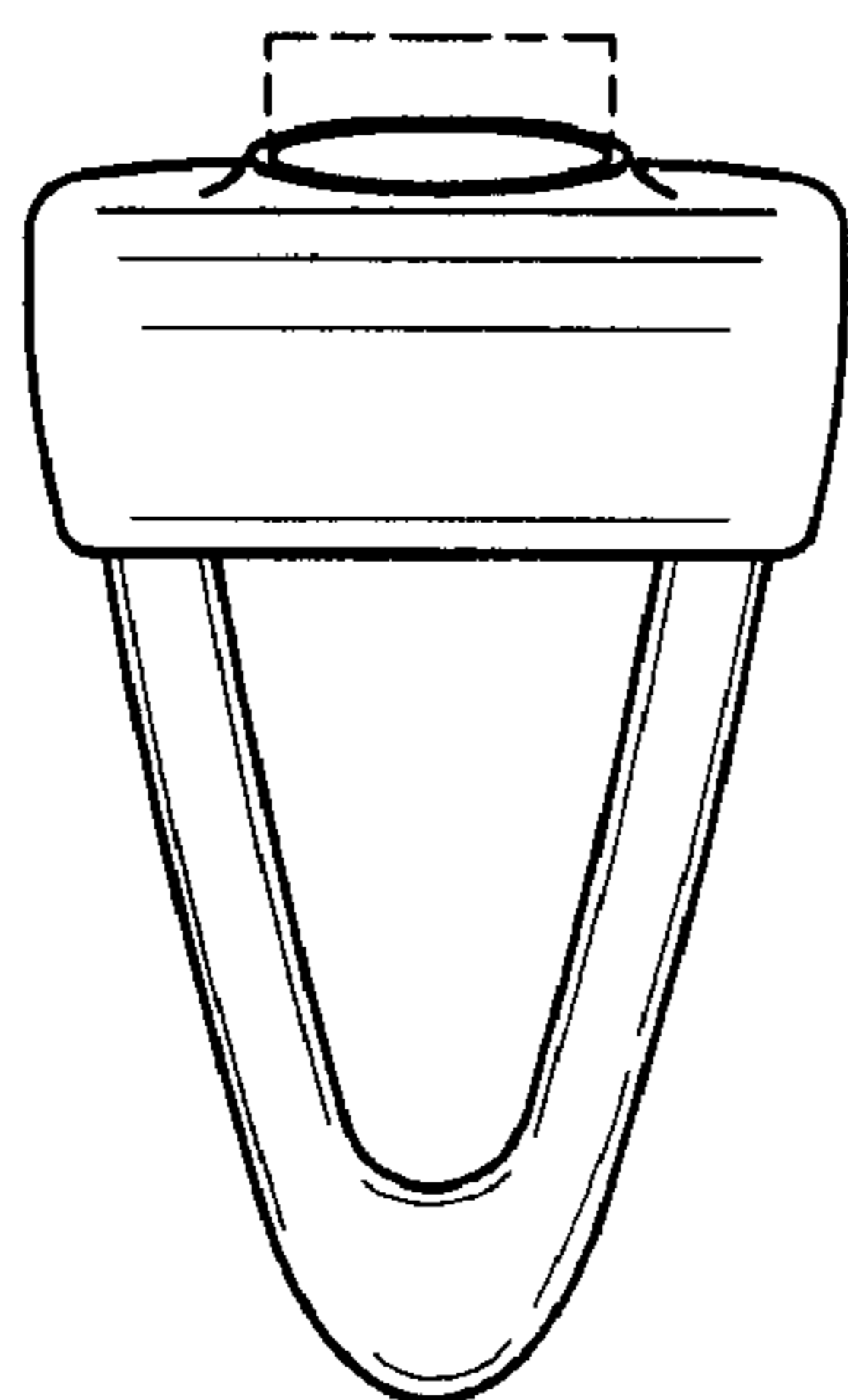
*FIG. 1*



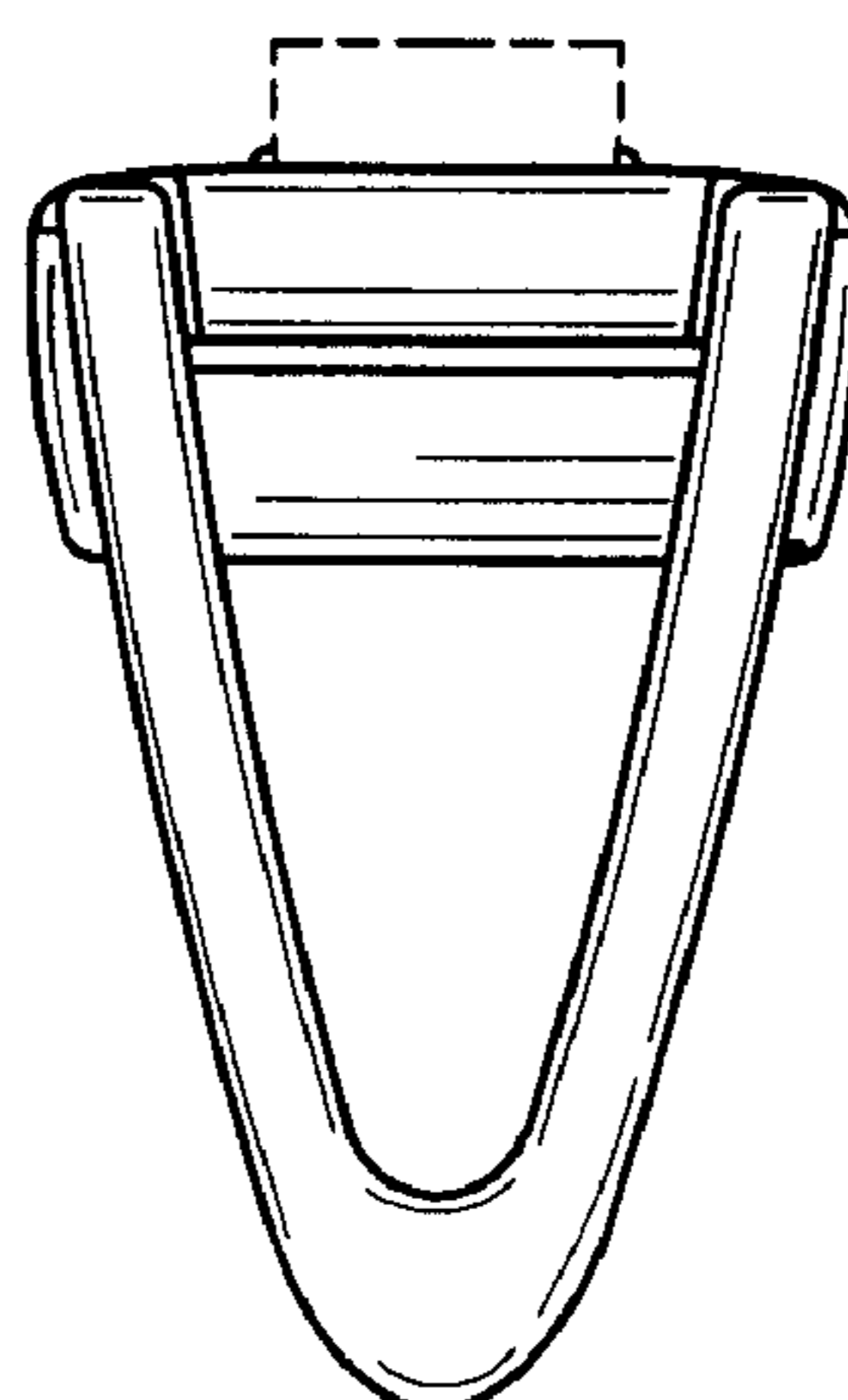
*FIG. 2*



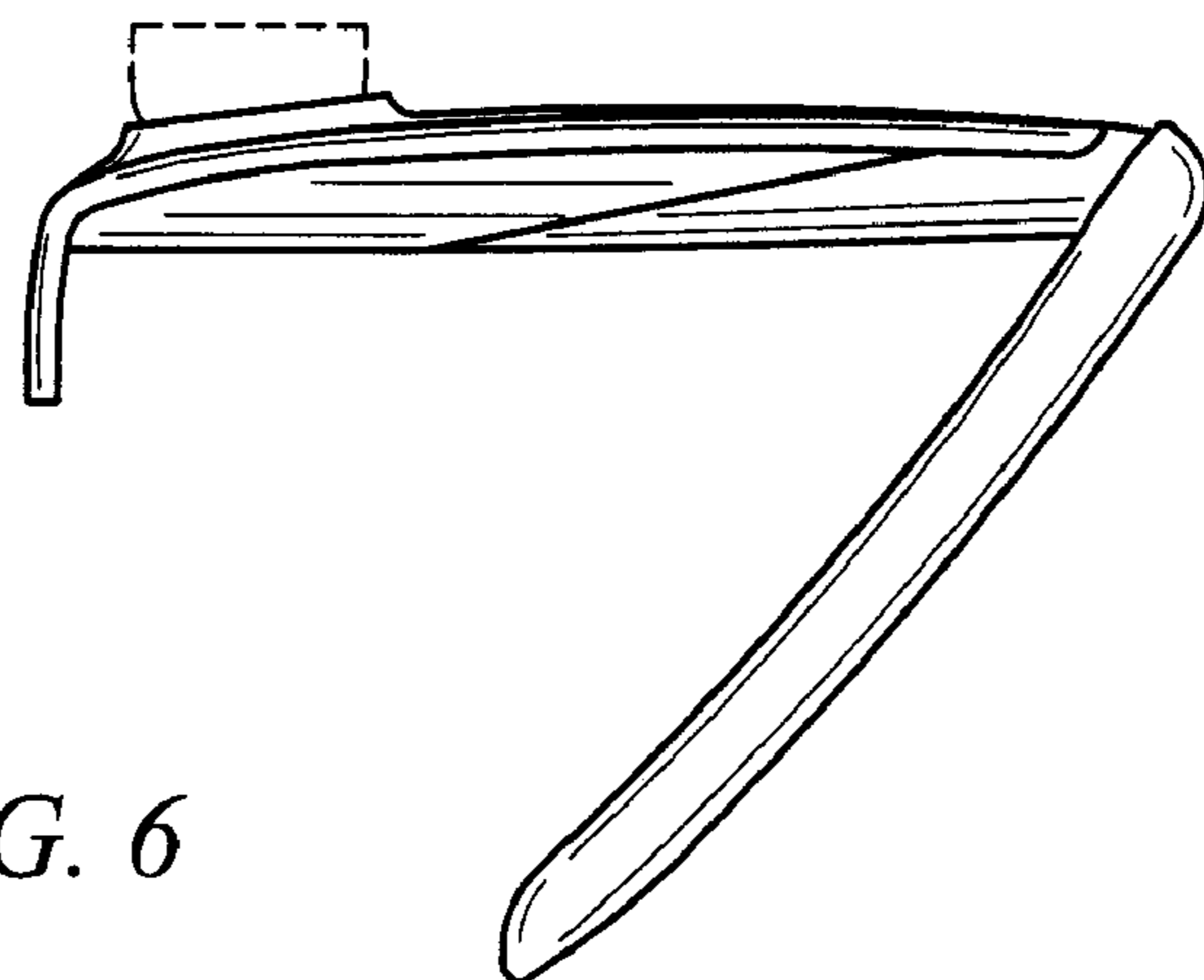
*FIG. 3*



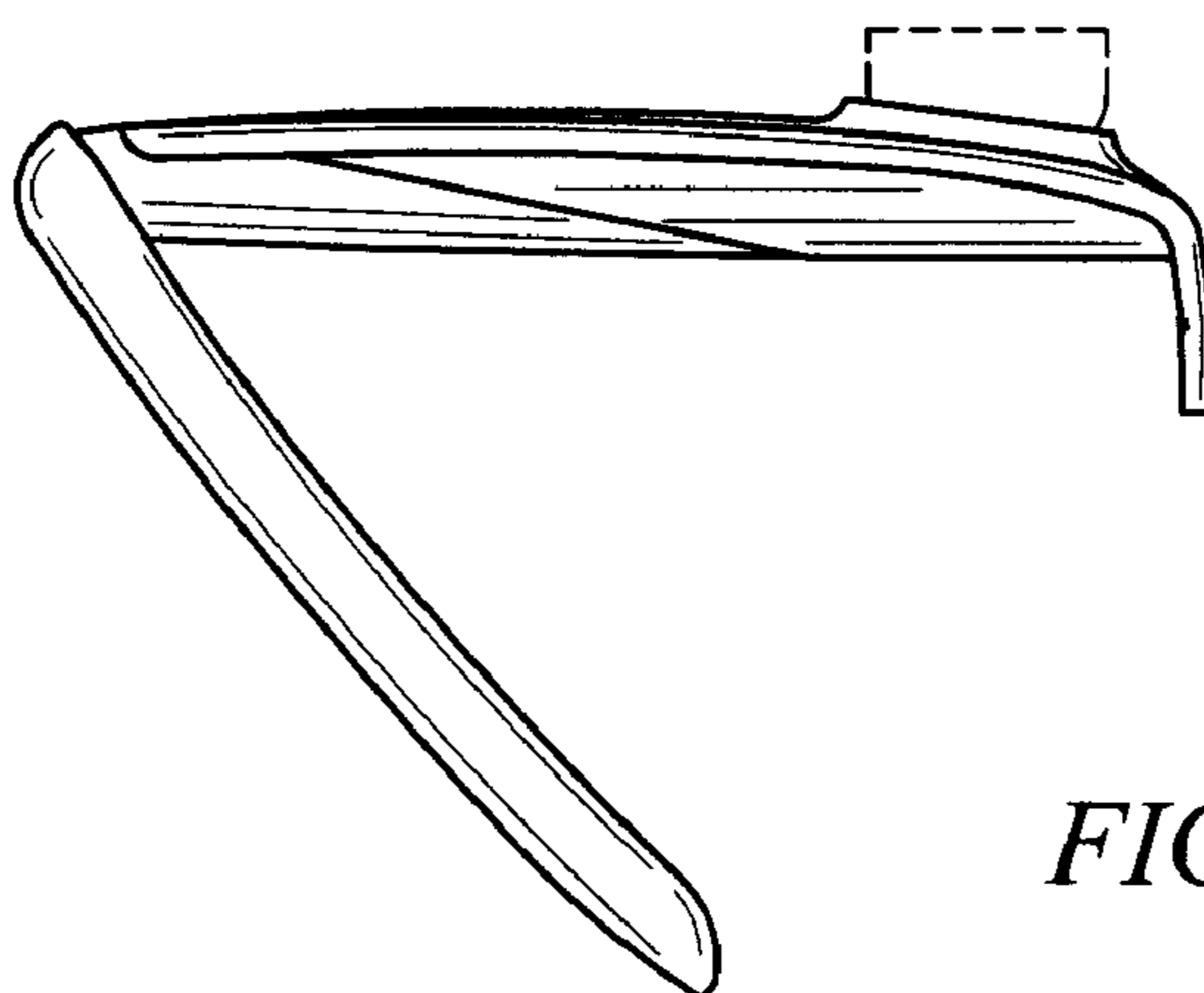
*FIG. 4*



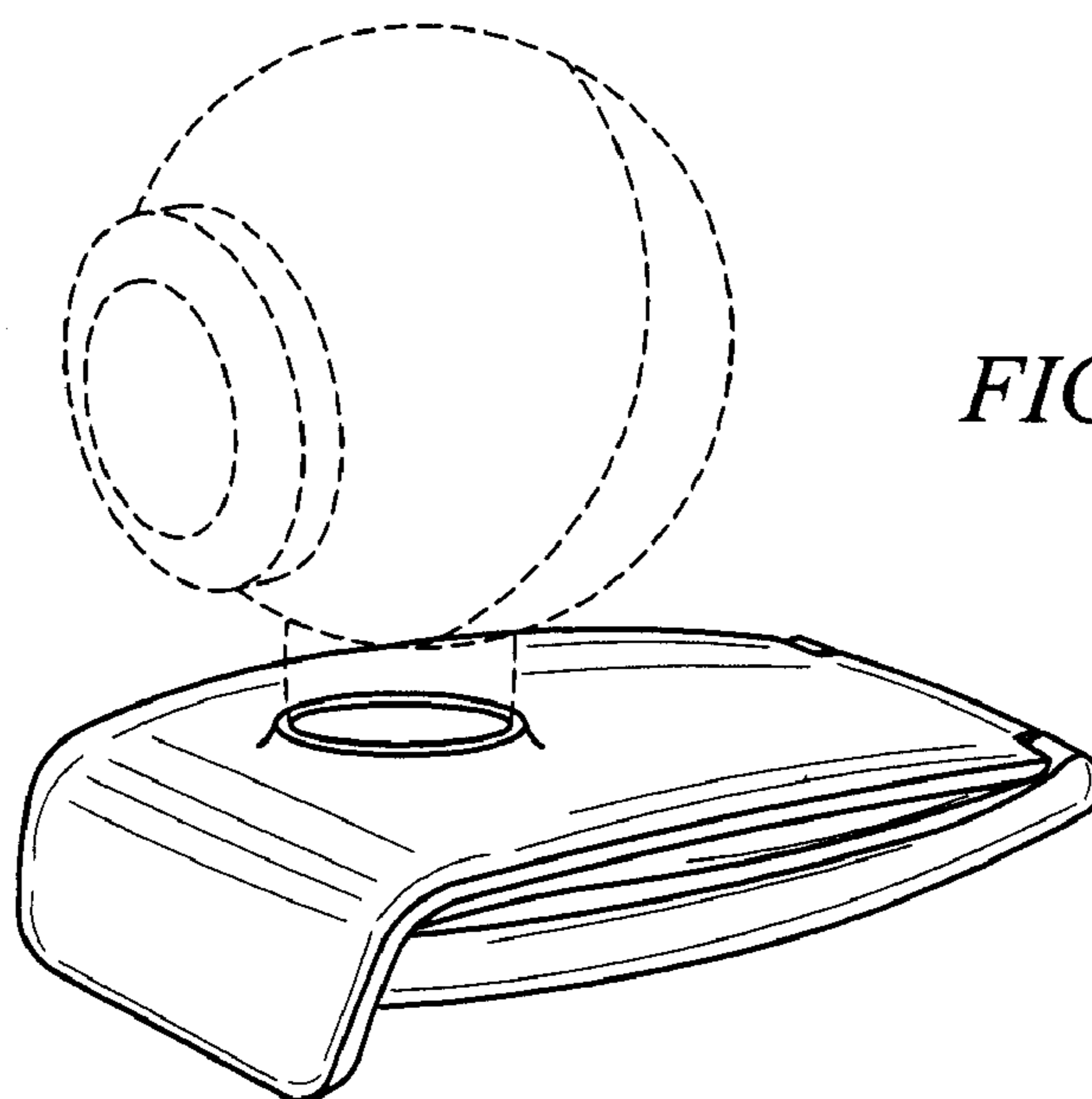
*FIG. 5*



*FIG. 6*



*FIG. 7*



*FIG. 8*