



US00D557120S

(12) **United States Design Patent** (10) **Patent No.:** **US D557,120 S**
Snell (45) **Date of Patent:** **** Dec. 11, 2007**

(54) **OVER CABINET DOUBLE HOOK**

OTHER PUBLICATIONS

(75) Inventor: **Russell Benton Snell**, Bentleyville, OH (US)

2005 InterDesign, Inc. product brochure, p. 53, 56 w/front & back cover.

(73) Assignee: **InterDesign, Inc.**, Solon, OH (US)

* cited by examiner

(**) Term: **14 Years**

Primary Examiner—T. Chase Nelson

Assistant Examiner—Barbara B Lohr

(21) Appl. No.: **29/264,574**

(74) *Attorney, Agent, or Firm*—D. Peter Hochberg; Sean Mellino

(22) Filed: **Aug. 11, 2006**

(57) **CLAIM**

(51) **LOC (8) Cl.** **08-05**

The ornamental design for an over cabinet double hook, as shown and described.

(52) **U.S. Cl.** **D8/372**

(58) **Field of Classification Search** D8/367, D8/371, 372, 373; D6/323, 534, 569; 248/262, 248/547

DESCRIPTION

See application file for complete search history.

FIG. 1 is a perspective view of the over cabinet double hook according to the invention;

(56) **References Cited**

FIG. 2 is a top view of the over cabinet double hook as shown in FIG. 1;

U.S. PATENT DOCUMENTS

FIG. 3 is a front view of the over cabinet double hook as shown in FIG. 1;

D214,383 S *	6/1969	Johnson	D8/371
D227,522 S *	7/1973	Burt	D8/373
4,411,401 A *	10/1983	Anderson	248/262
D272,023 S *	1/1984	Mayer et al.	D6/569
D299,423 S *	1/1989	Davis	D8/373
D304,655 S *	11/1989	Pool	D6/323
4,880,200 A *	11/1989	Champagne et al.	248/547
D305,431 S *	1/1990	Adams	D8/367
D310,018 S *	8/1990	Landrum	D8/373
D342,889 S *	1/1994	Adams	D8/367
D455,947 S *	4/2002	Goodman et al.	D8/367
D492,869 S *	7/2004	Henry	D6/534
D494,844 S *	8/2004	Klein et al.	D8/372
D498,958 S *	11/2004	Henry	D6/534

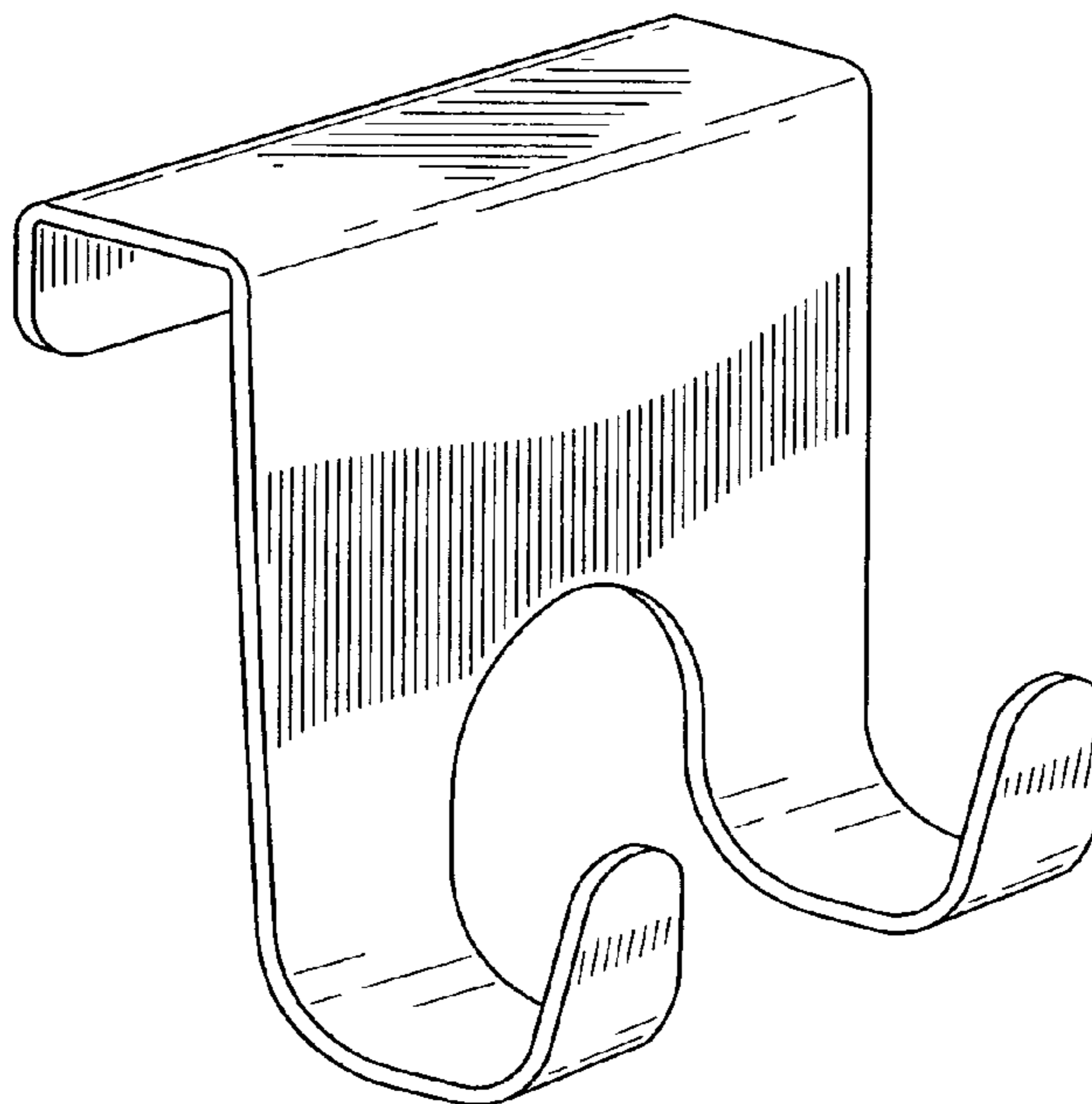
FIG. 4 is a side view of the over cabinet double hook as shown in FIG. 1;

FIG. 5 is a rear view of the over cabinet double hook as shown in FIG. 1;

FIG. 6 is a side view of the over cabinet double hook as shown in FIG. 1, shown from the opposite side as that shown in FIG. 4; and,

FIG. 7 is a bottom view of the over cabinet double hook as shown in FIG. 1.

1 Claim, 3 Drawing Sheets



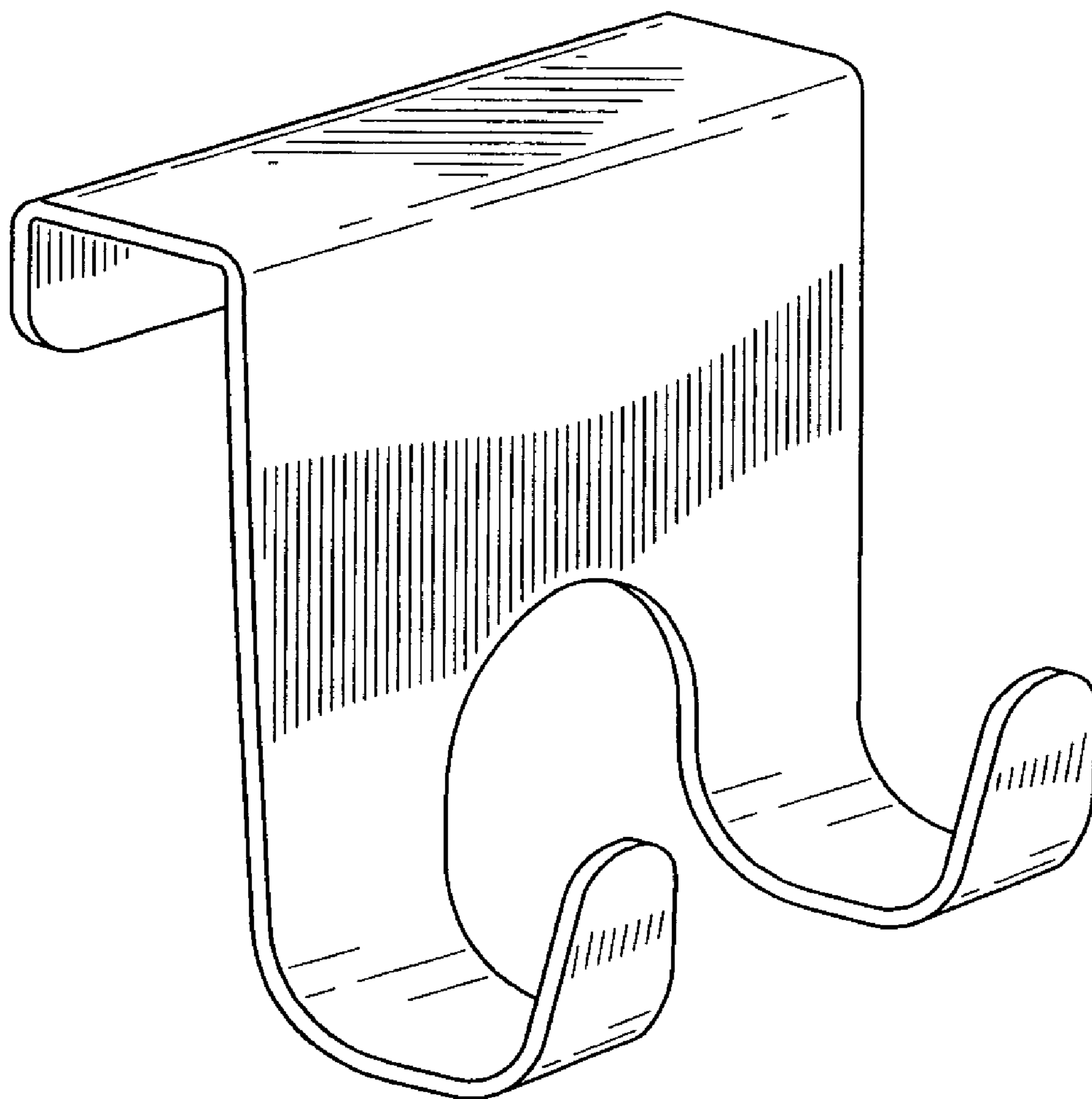


FIG-1

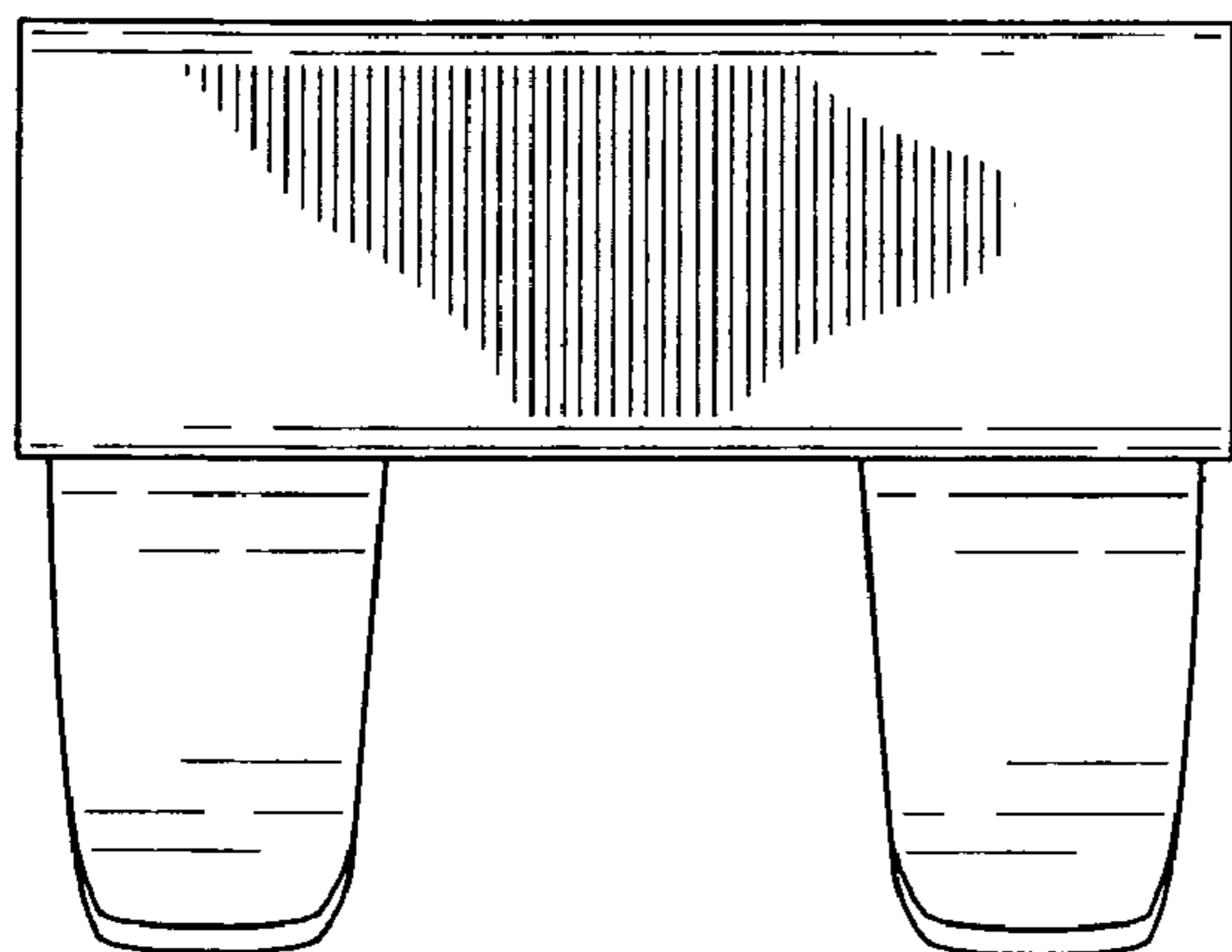


FIG-2

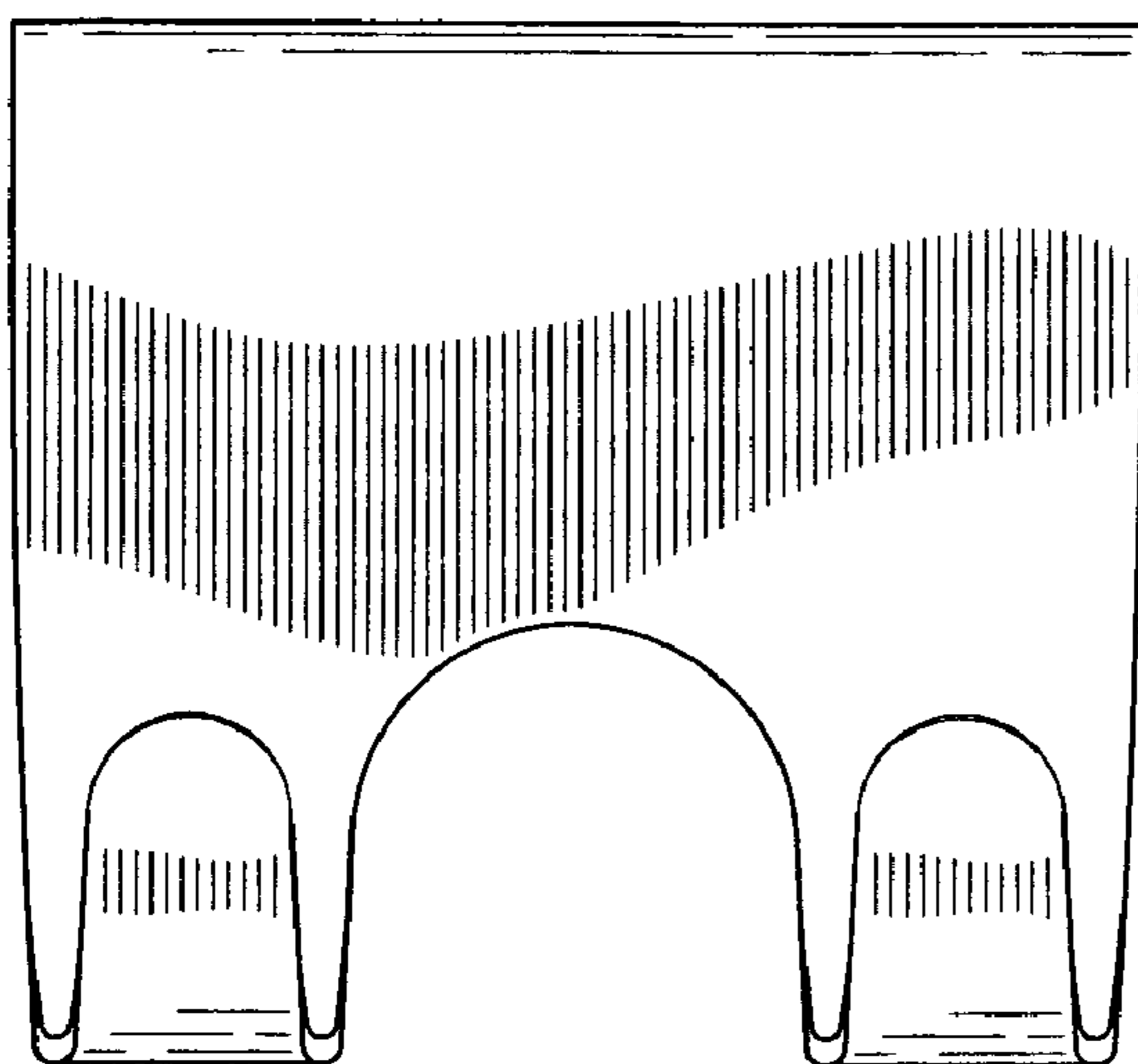


FIG-3

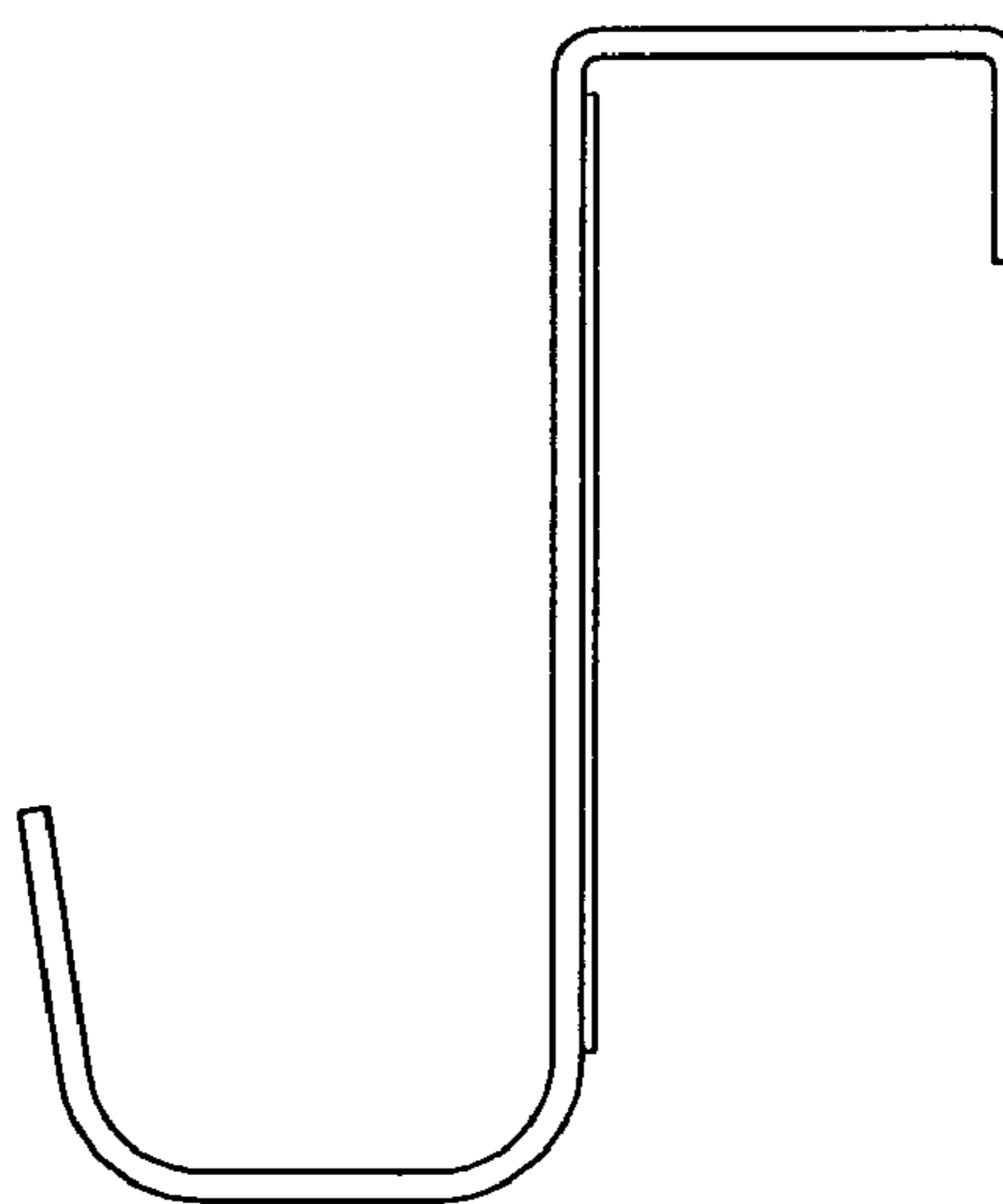


FIG-4

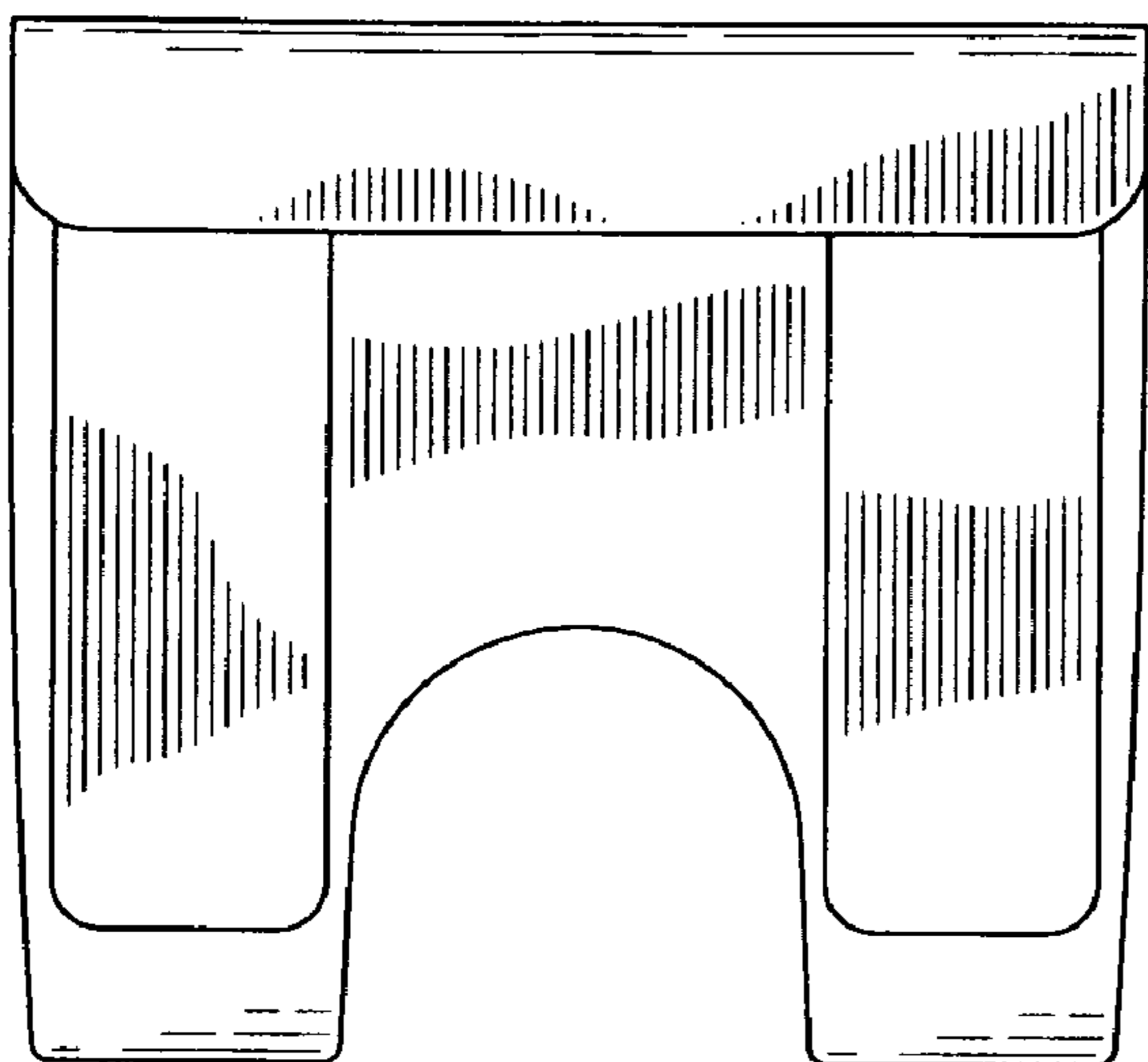


FIG-5

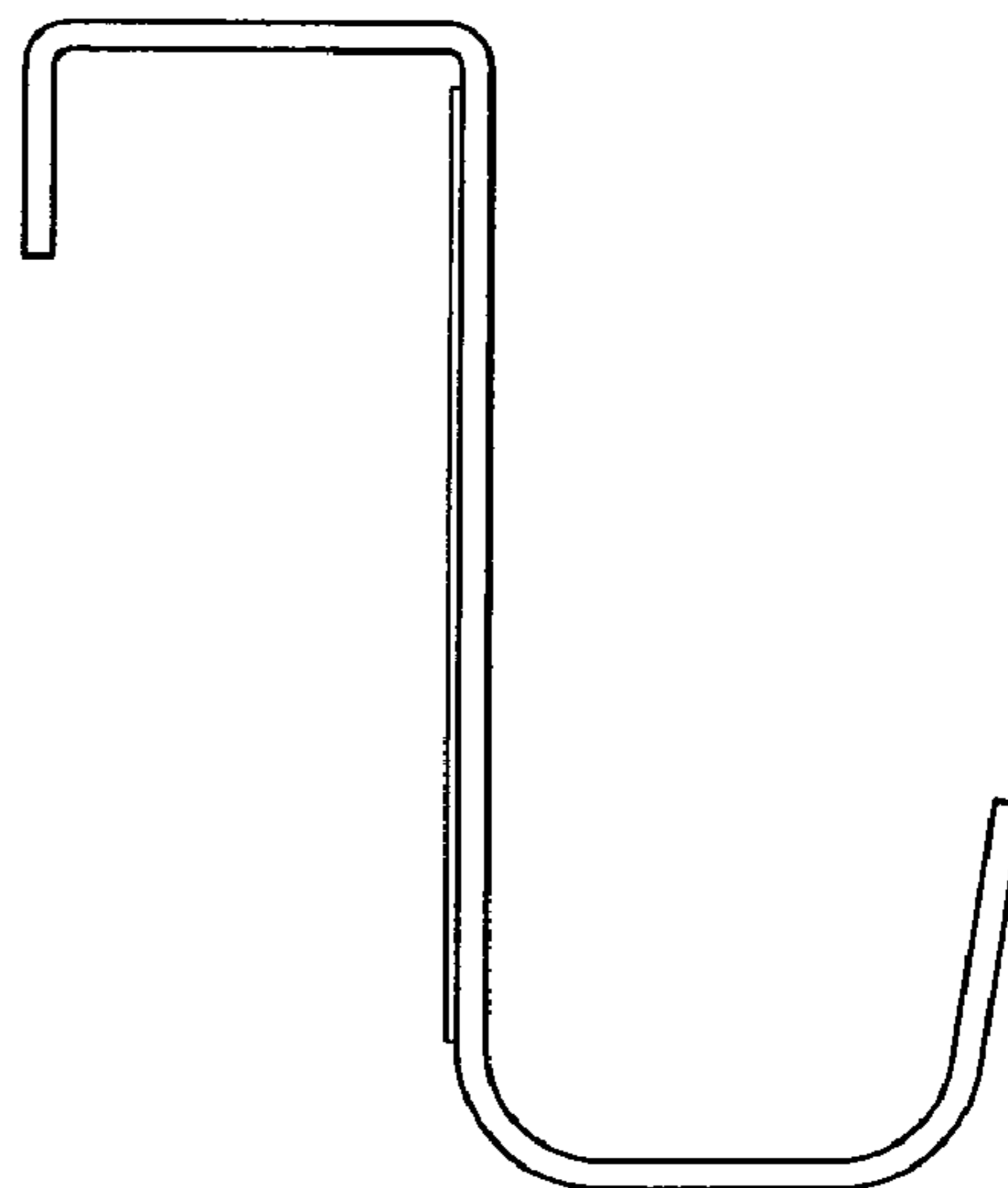


FIG-6

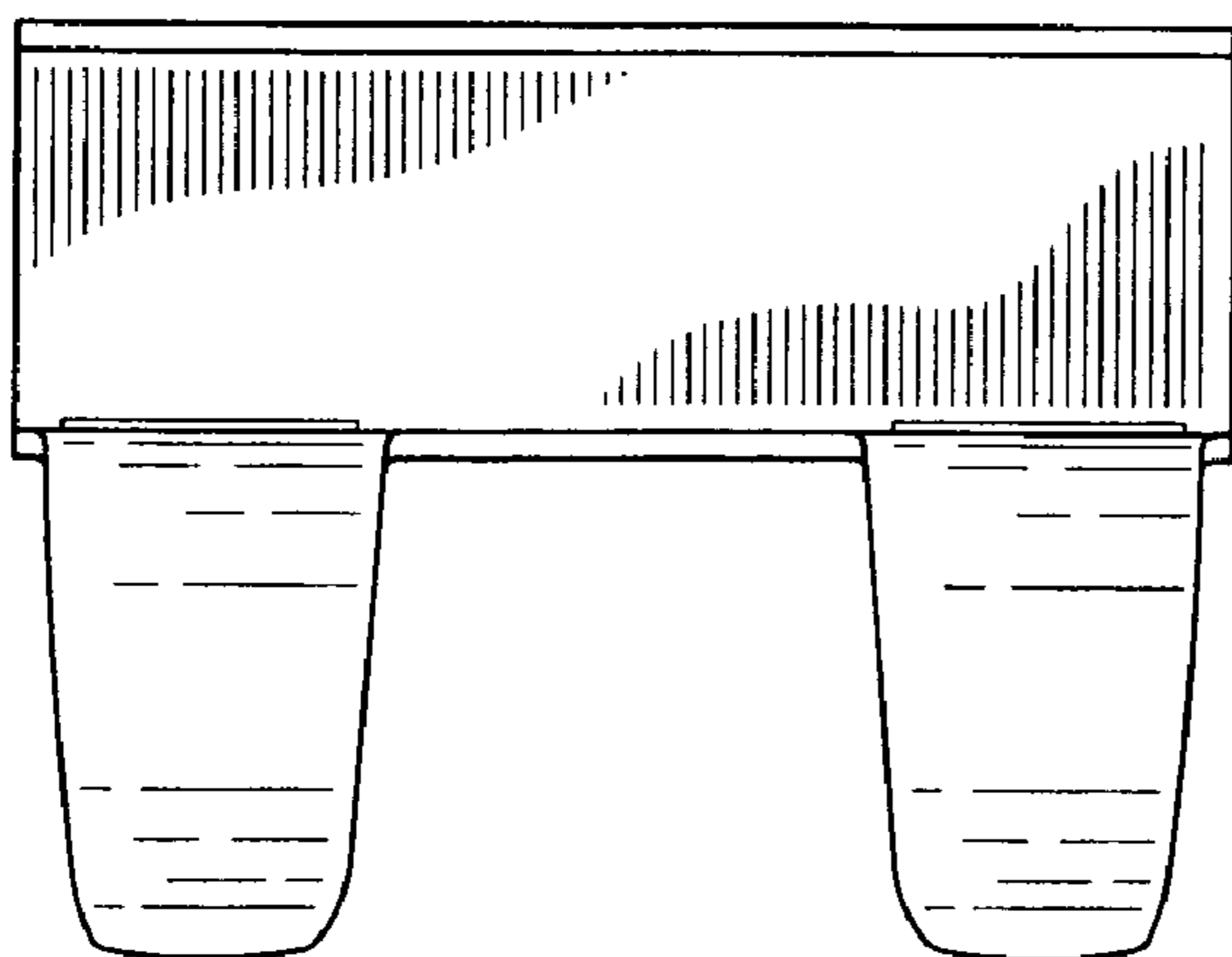


FIG-7