



US00D557119S

(12) **United States Design Patent**
Laga

(10) **Patent No.:** **US D557,119 S**

(45) **Date of Patent:** **** Dec. 11, 2007**

(54) **WINDABLE STORAGE REEL**

D408,720 S * 4/1999 Sheng D8/359
D518,361 S * 4/2006 Jassenoff D8/358

(75) Inventor: **Kenneth Laga**, Emmaus, PA (US)

* cited by examiner

(73) Assignee: **Lehigh Consumer Products Corporation**, Macungie, PA (US)

Primary Examiner—Gary D. Watson

Assistant Examiner—Susan Bennett Hattan

(**) Term: **14 Years**

(74) *Attorney, Agent, or Firm*—Lawrence J. Shurupoff

(21) Appl. No.: **29/263,272**

(57) **CLAIM**

(22) Filed: **Jul. 19, 2006**

The ornamental design for a windable storage reel, as shown and described.

(51) **LOC (8) Cl.** **08-05**

(52) **U.S. Cl.** **D8/359**

(58) **Field of Classification Search** D8/359,
D8/358; D23/261; D22/140, 137; D12/501,
D12/207, 204; 242/614, 613, 613.4, 609,
242/609.1, 608, 608.2, 606, 605, 405.2, 118,
242/118.1, 118.61, 608.4, 407; 137/360
See application file for complete search history.

DESCRIPTION

FIG. 1 is a front, top and right side perspective view of a windable storage reel, showing my new design;

FIG. 2 is a front, top and left side perspective view thereof;

FIG. 3 is a top plan view thereof;

FIG. 4 is a bottom plan view thereof;

FIG. 5 is a right side elevational view thereof;

FIG. 6 is a left side elevational view thereof;

FIG. 7 is a front elevational view thereof; and,

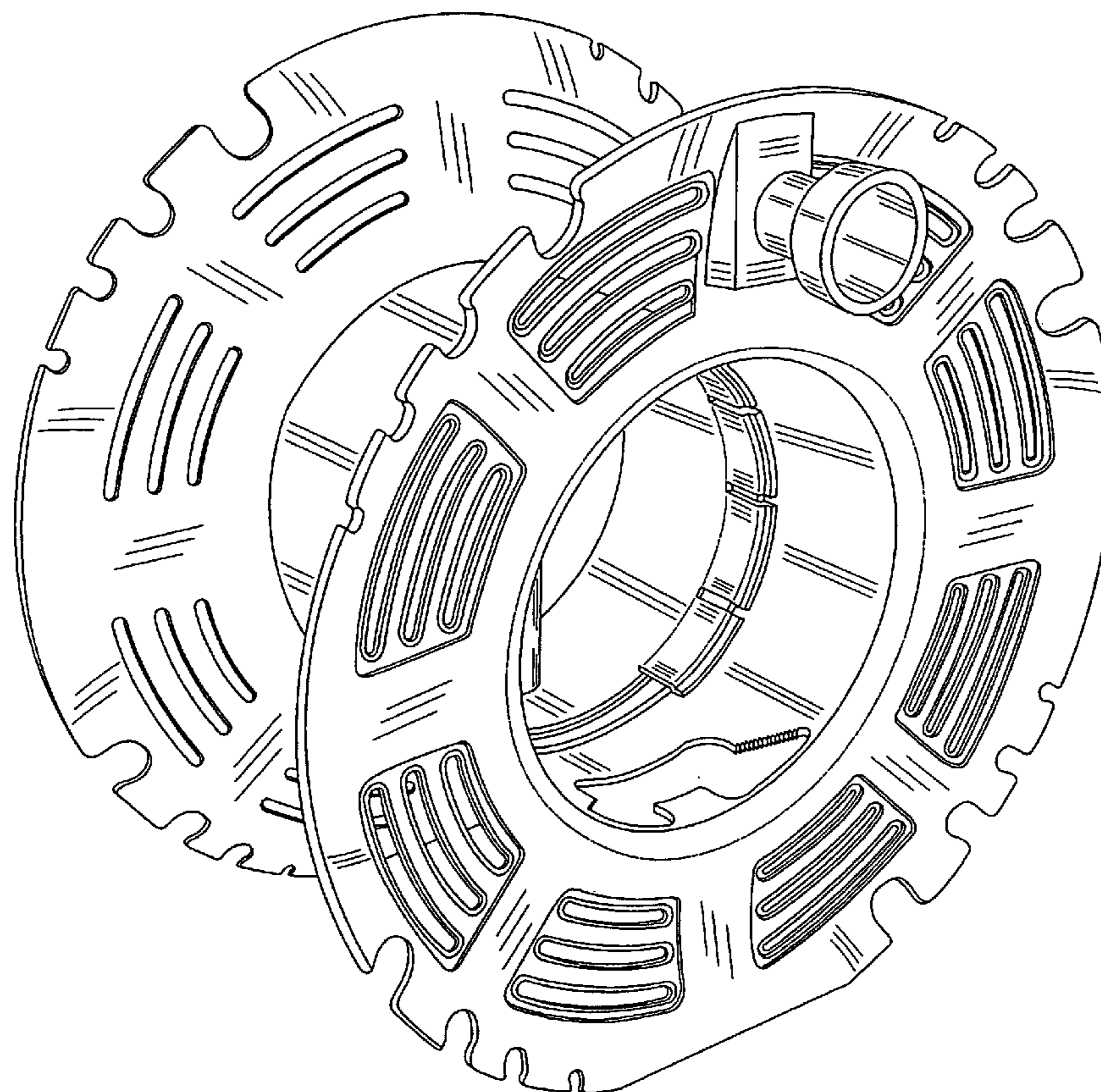
FIG. 8 is a rear elevational view thereof.

(56) **References Cited**

U.S. PATENT DOCUMENTS

D314,910 S * 2/1991 VanSkiver D8/359
D341,770 S * 11/1993 Spear et al. D8/359
D359,440 S * 6/1995 Stewart D8/359
D379,425 S * 5/1997 Wright et al. D8/359

1 Claim, 8 Drawing Sheets



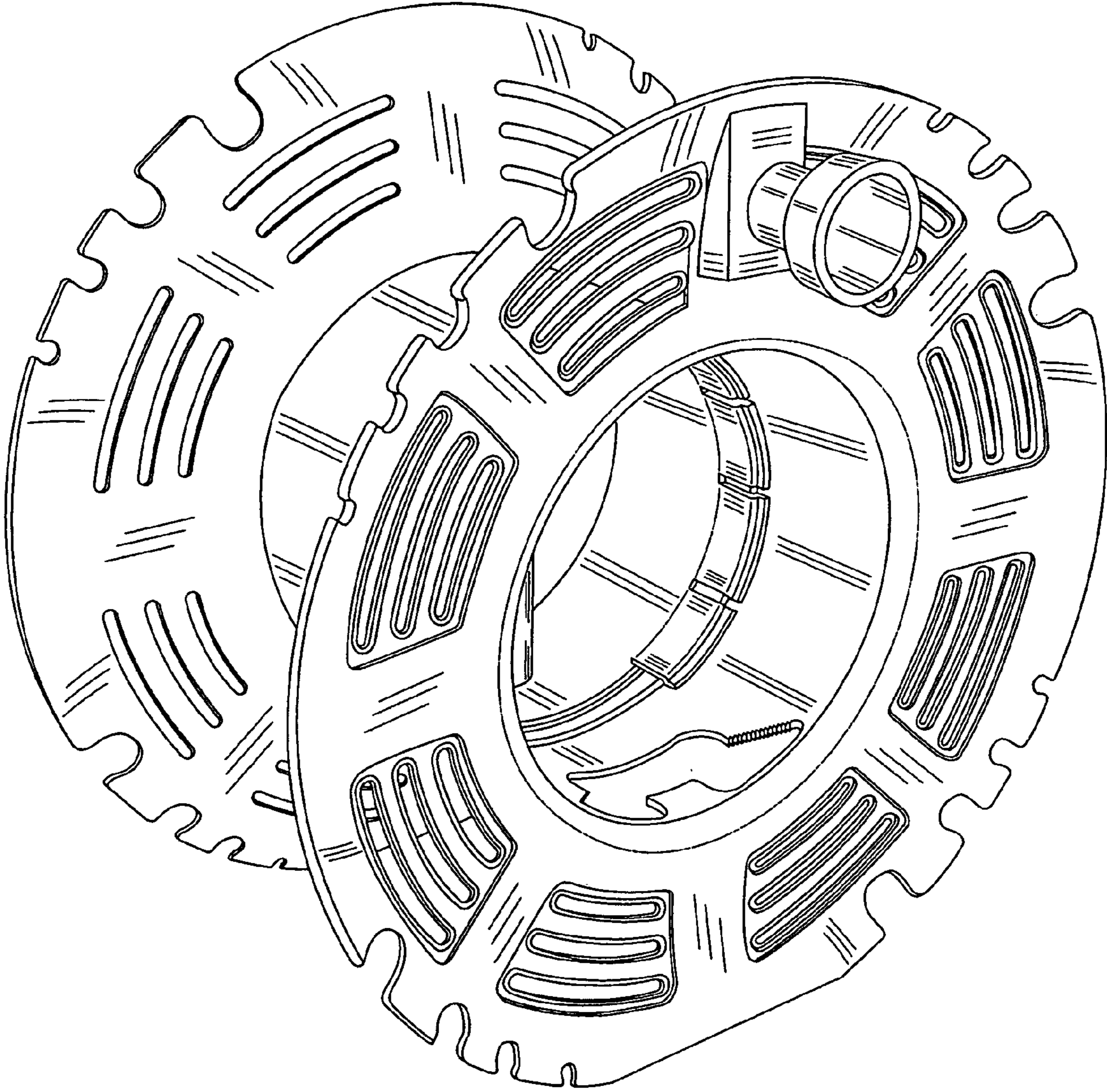


FIG. 1

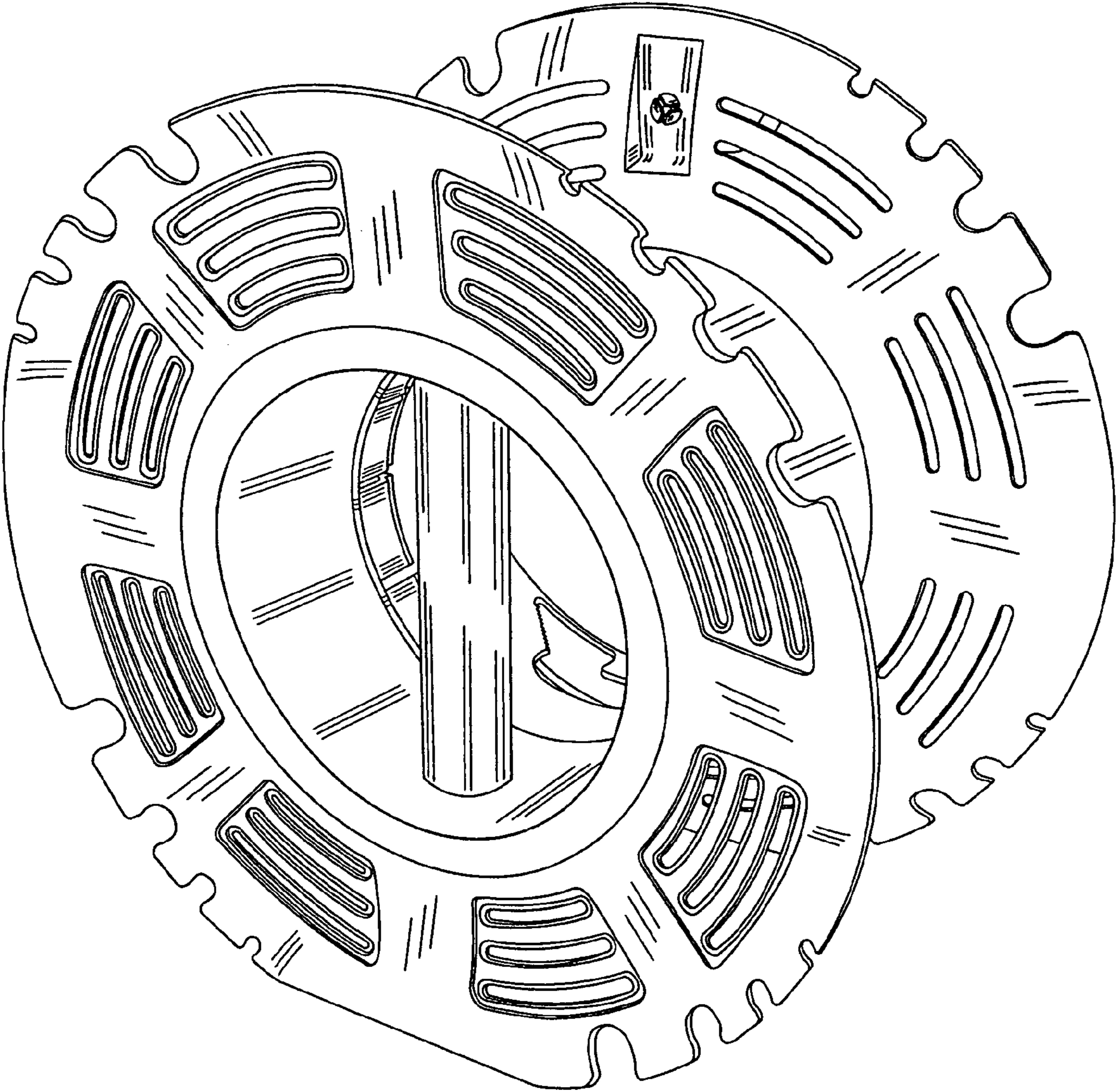


FIG. 2

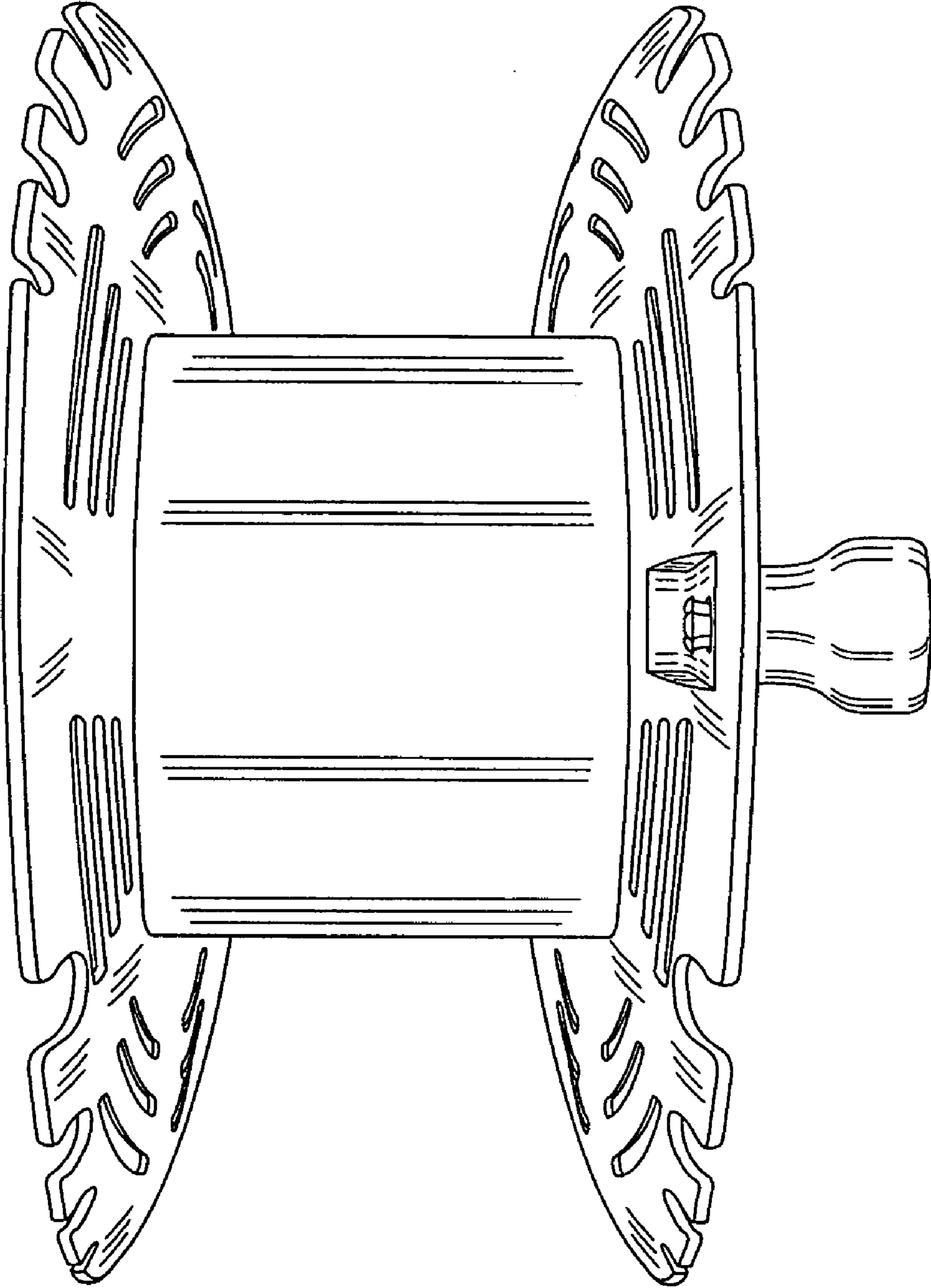


FIG. 3

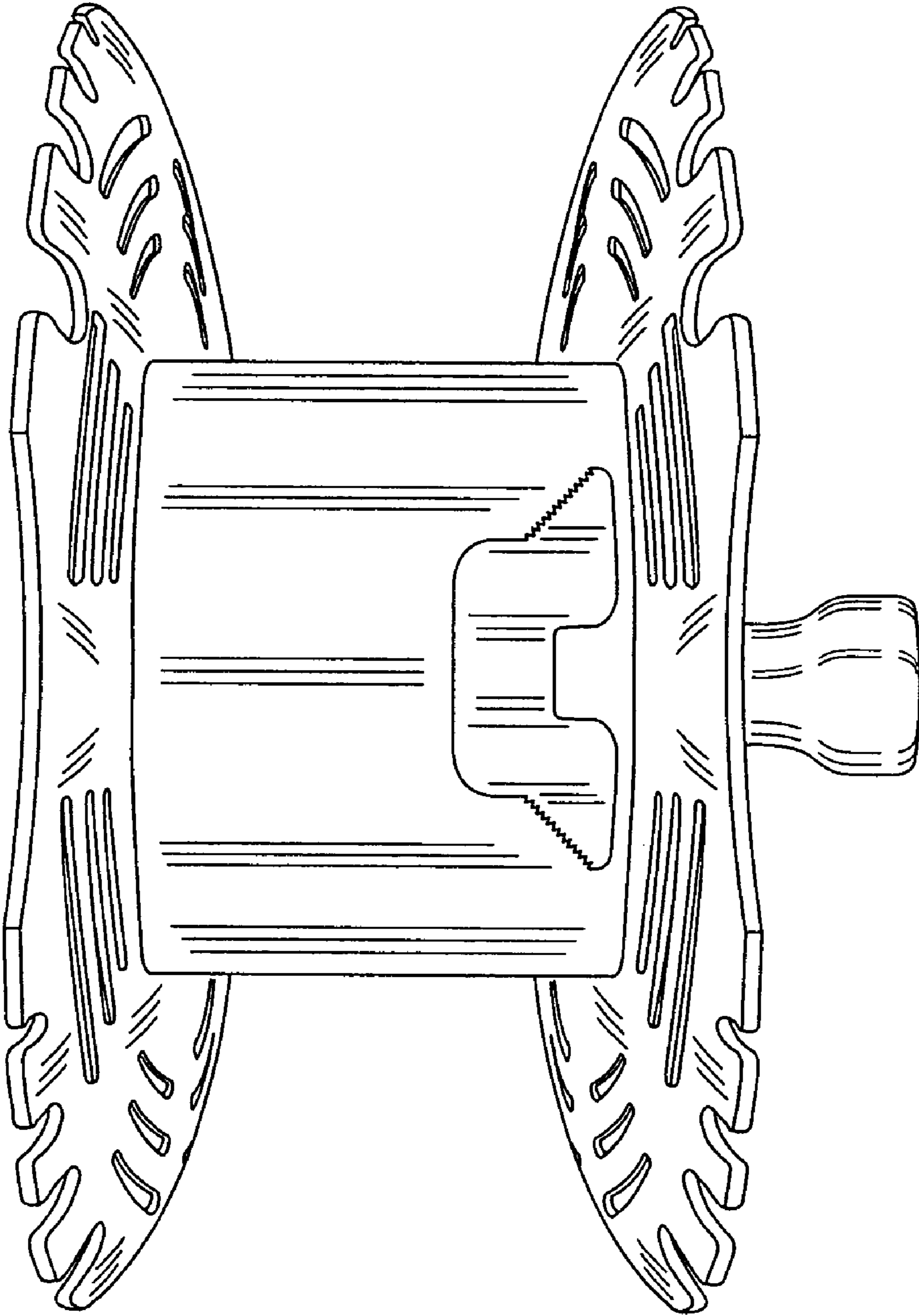


FIG. 4

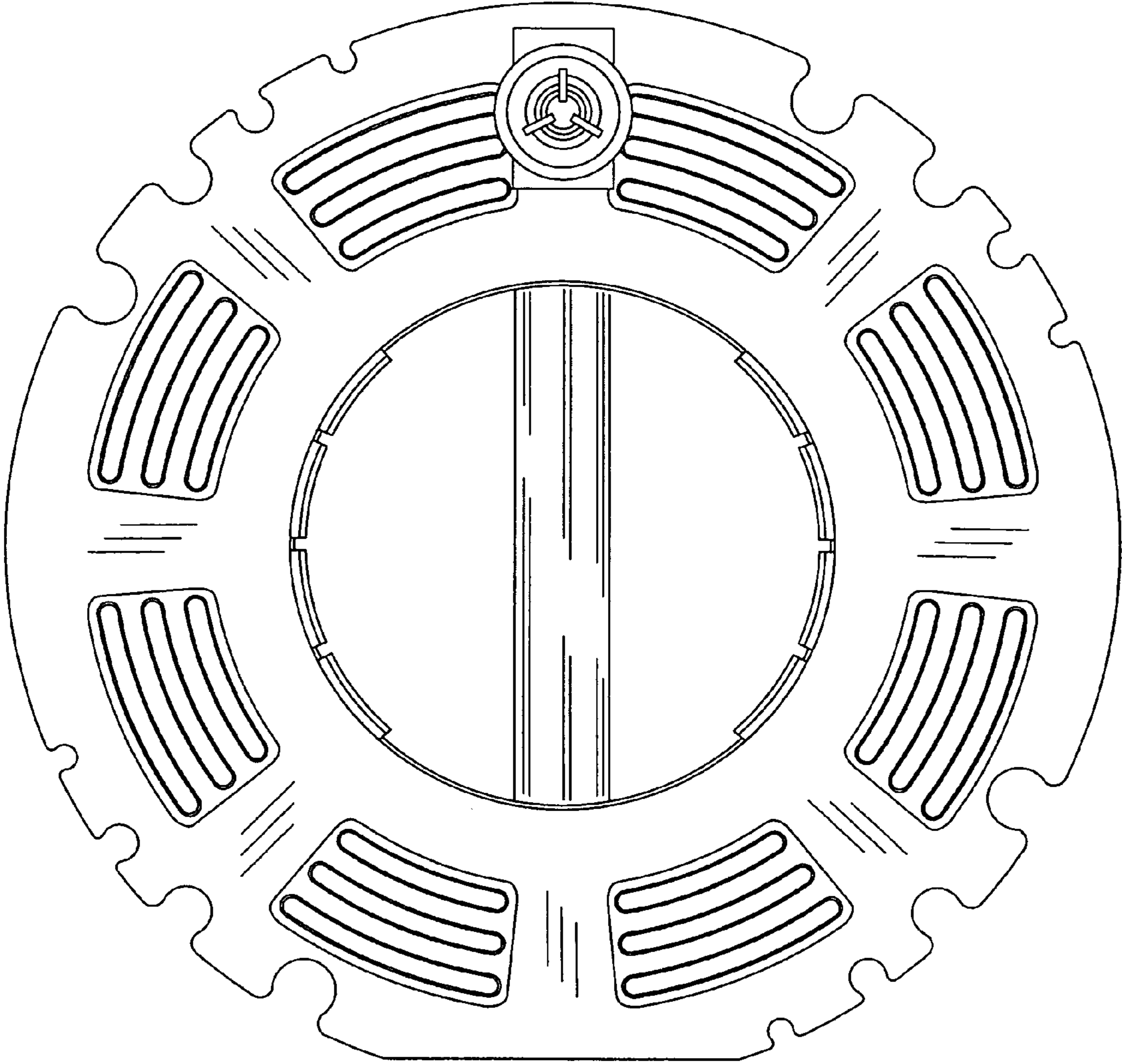


FIG. 5

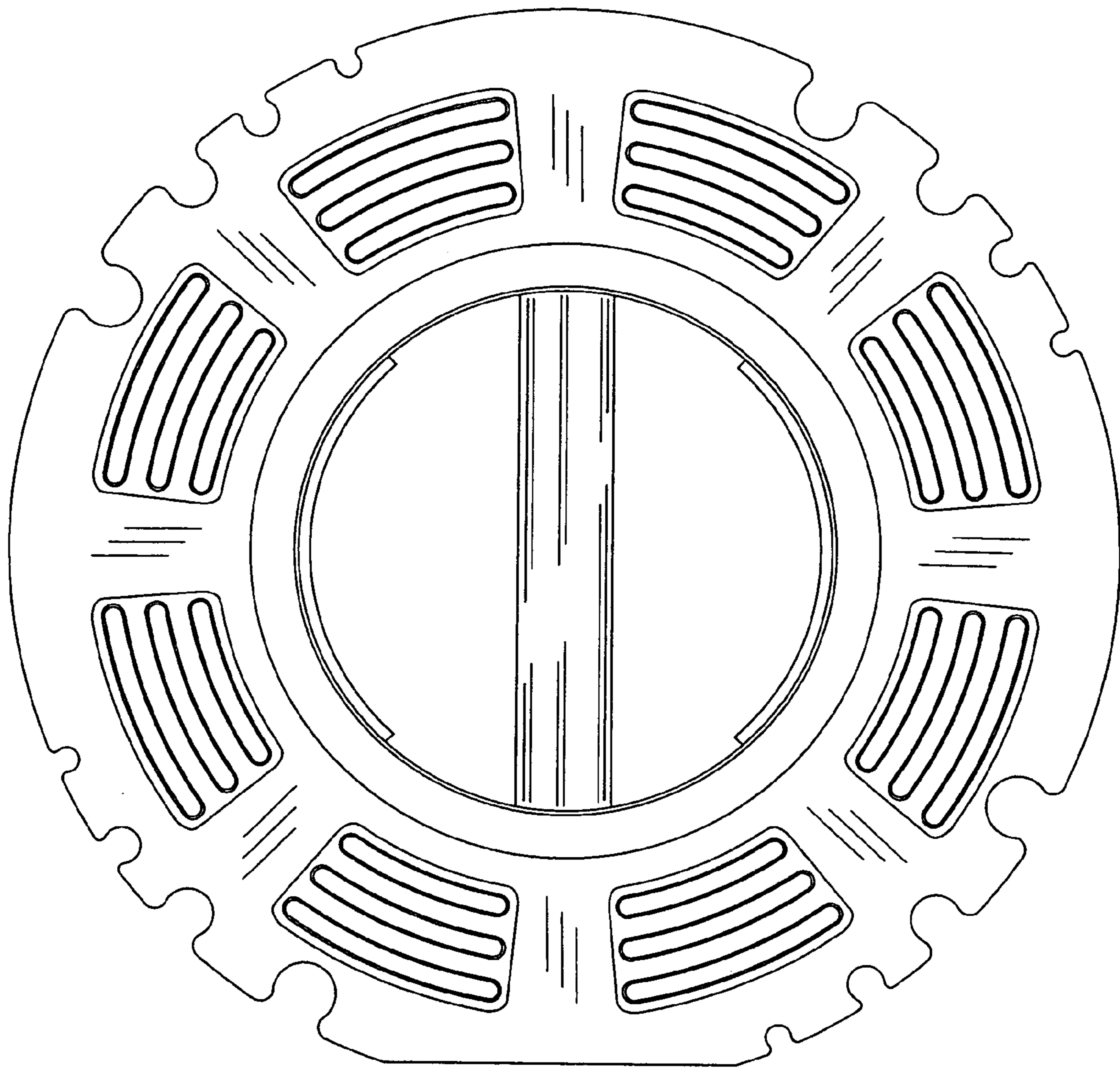


FIG. 6

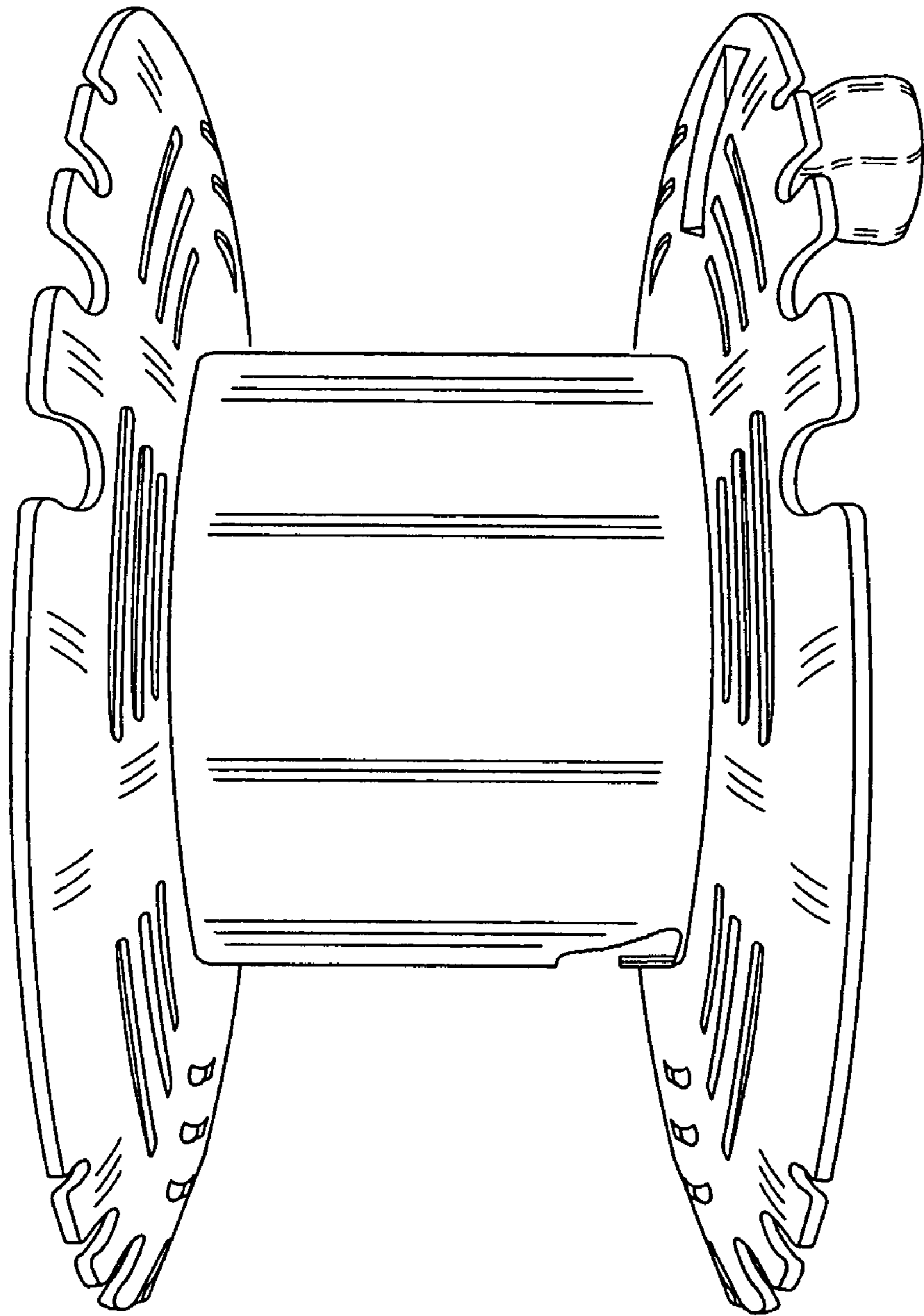


FIG. 7

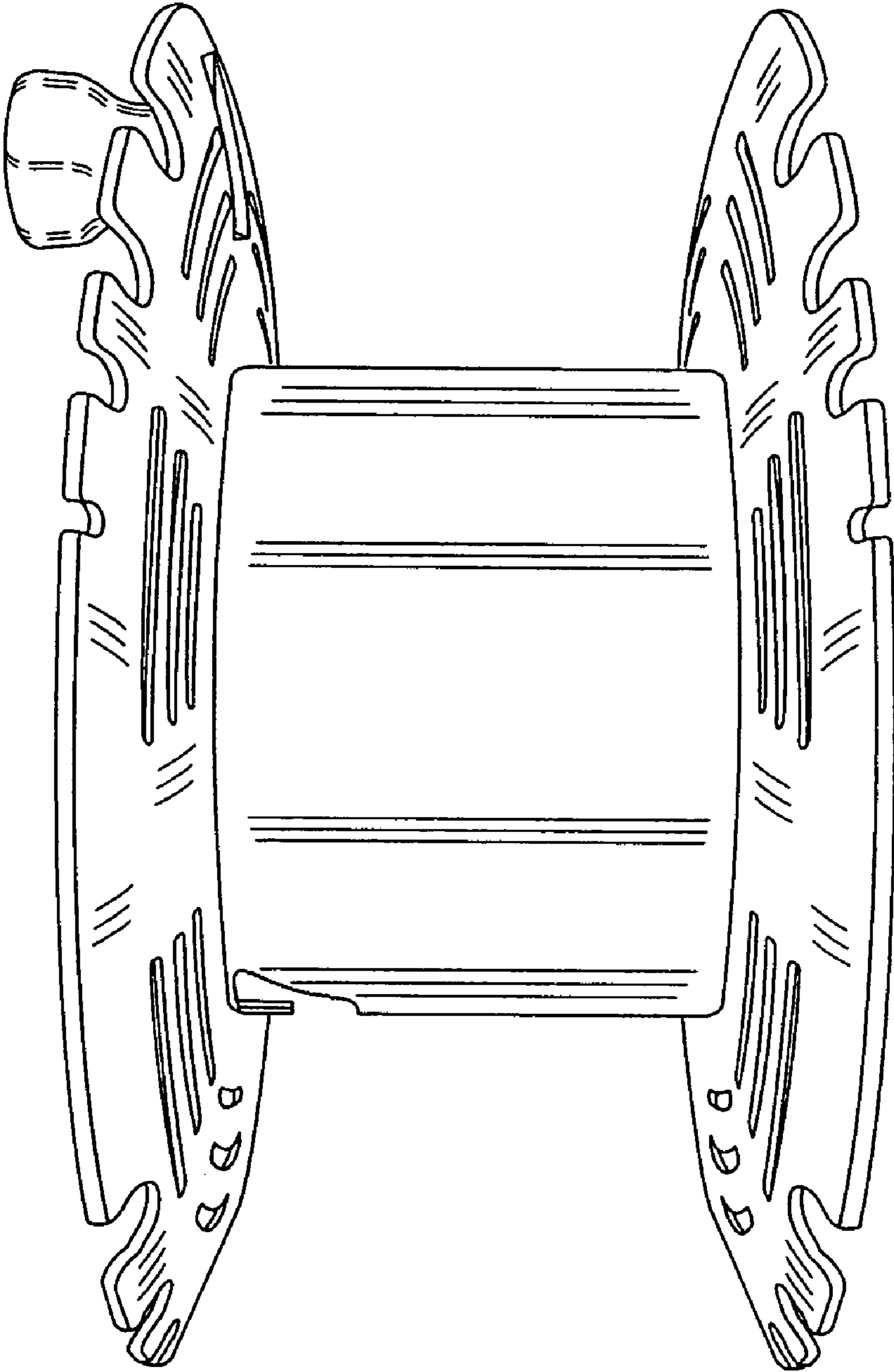


FIG. 8